



US00D353969S

United States Patent [19]

[11] Patent Number: **Des. 353,969**

Savinel

[45] Date of Patent: **** Jan. 3, 1995**

[54] **PRESSURE COOKER**

D. 285,644 9/1986 Kitakaze et al. D7/358
D. 295,817 5/1988 Sebillotte D7/358

[75] Inventor: **Yves Savinel, Paris, France**

Primary Examiner—Alan P. Douglas
Assistant Examiner—Caron D. Veynar
Attorney, Agent, or Firm—Young & Thompson

[73] Assignee: **SEB, Selongey, France**

[**] Term: **14 Years**

[21] Appl. No.: **9,810**

[57] **CLAIM**

[22] Filed: **Jun. 24, 1993**

The ornamental design for a pressure cooker, as shown and described.

[30] **Foreign Application Priority Data**

DESCRIPTION

Dec. 24, 1992 [FR] France 92 7799

[52] U.S. Cl. **D7/358**

[58] Field of Search D7/354, 358, 360;
220/912; 99/324, 325, 339, 425, 426, 345, 316;
126/373

FIG. 1 is a front elevational view thereof;
FIG. 2 is an elevational view of the side situated on the left on view n° 1 thereof;
FIG. 3 is an elevational view of the side situated on the right on view n° 1 thereof;
FIG. 4 is a top plan view thereof;
FIG. 5 is a bottom plan view thereof; and,
FIG. 6 is a three-quarter perspective view thereof.
The side opposite that shown in FIG. 1 is a mirror image thereof.

[56] **References Cited**

U.S. PATENT DOCUMENTS

D. 263,270 3/1982 Pauty D7/358
D. 263,782 4/1982 Jackson et al. D7/358

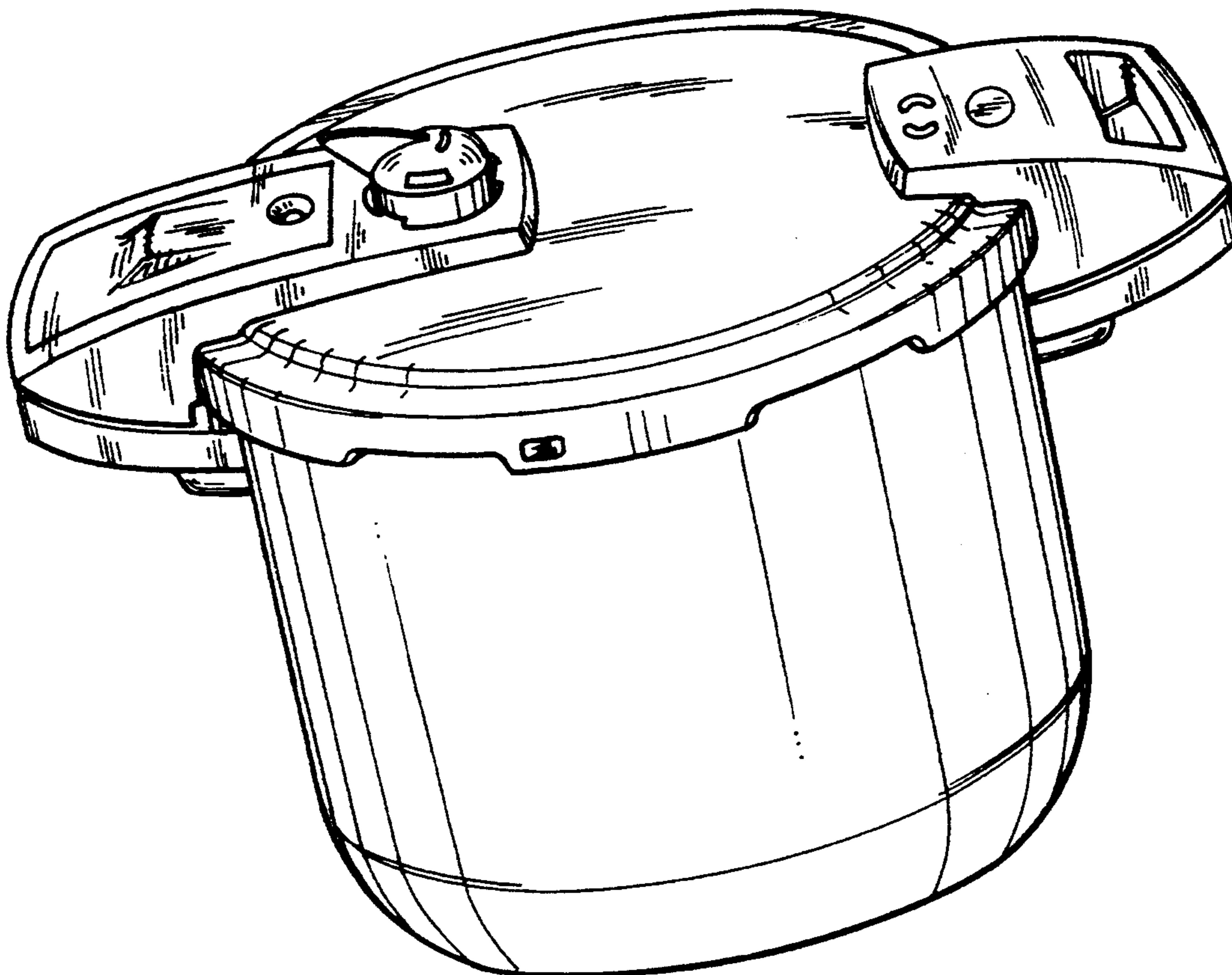


FIG. 1

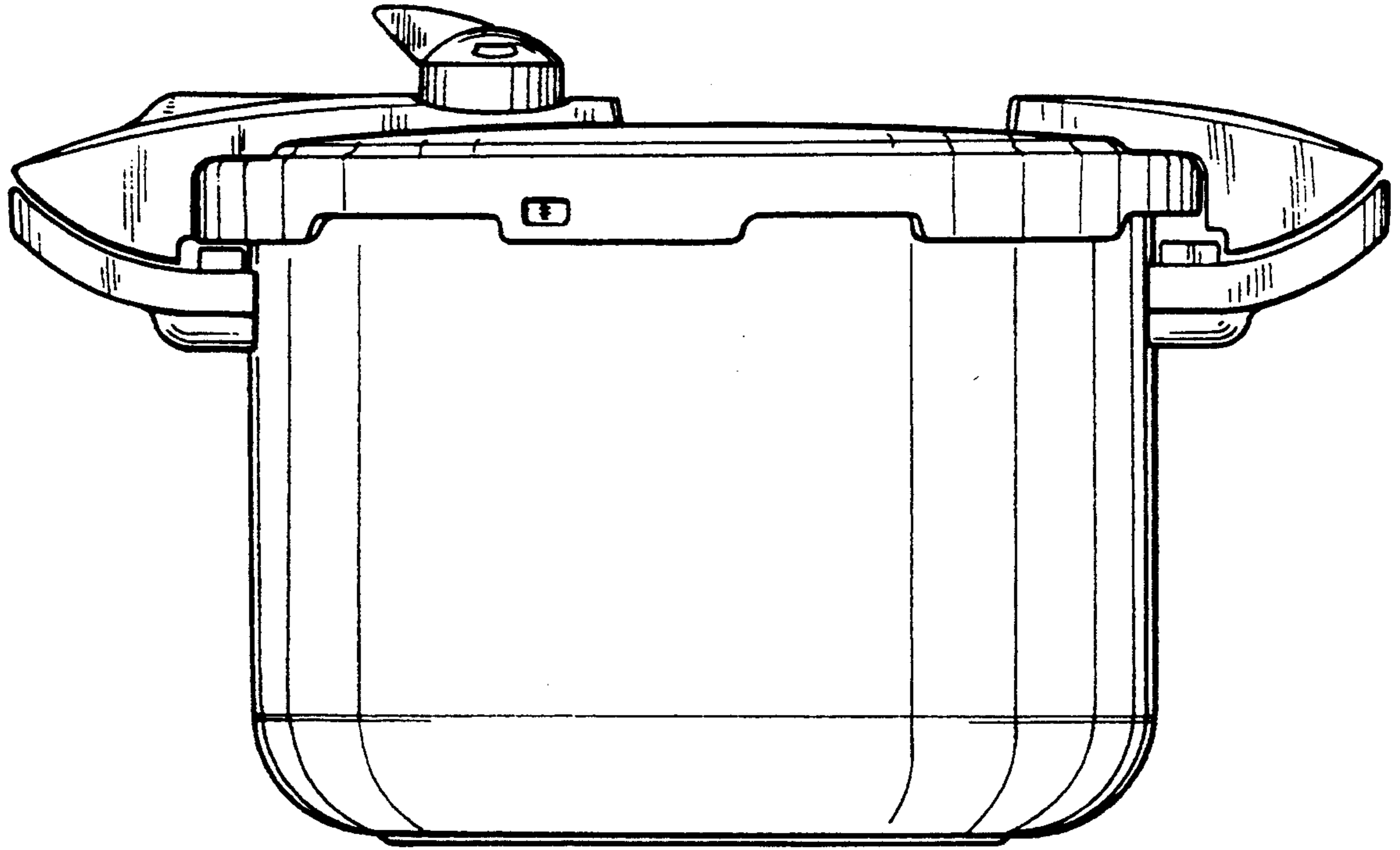


FIG. 2

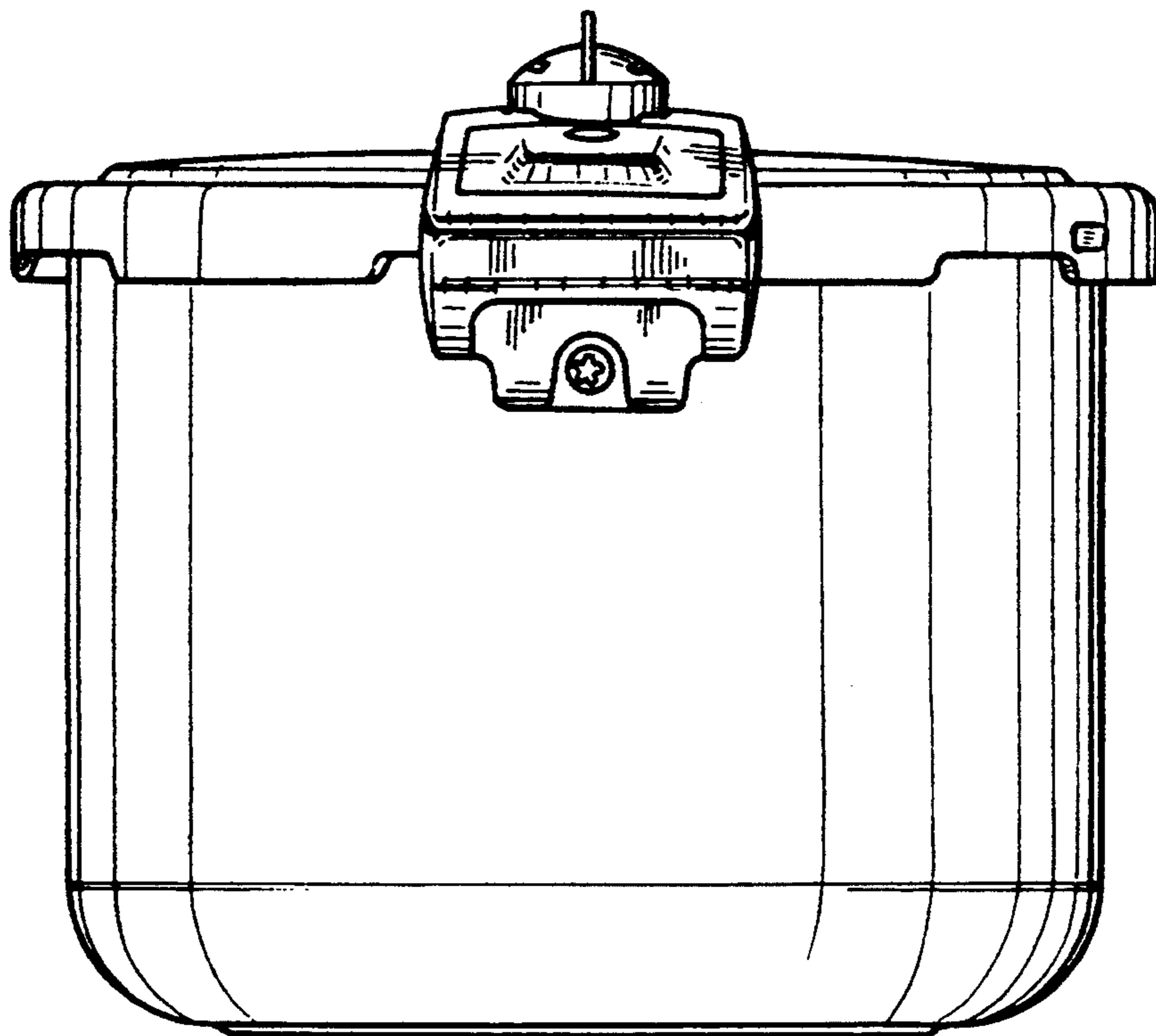


FIG. 3

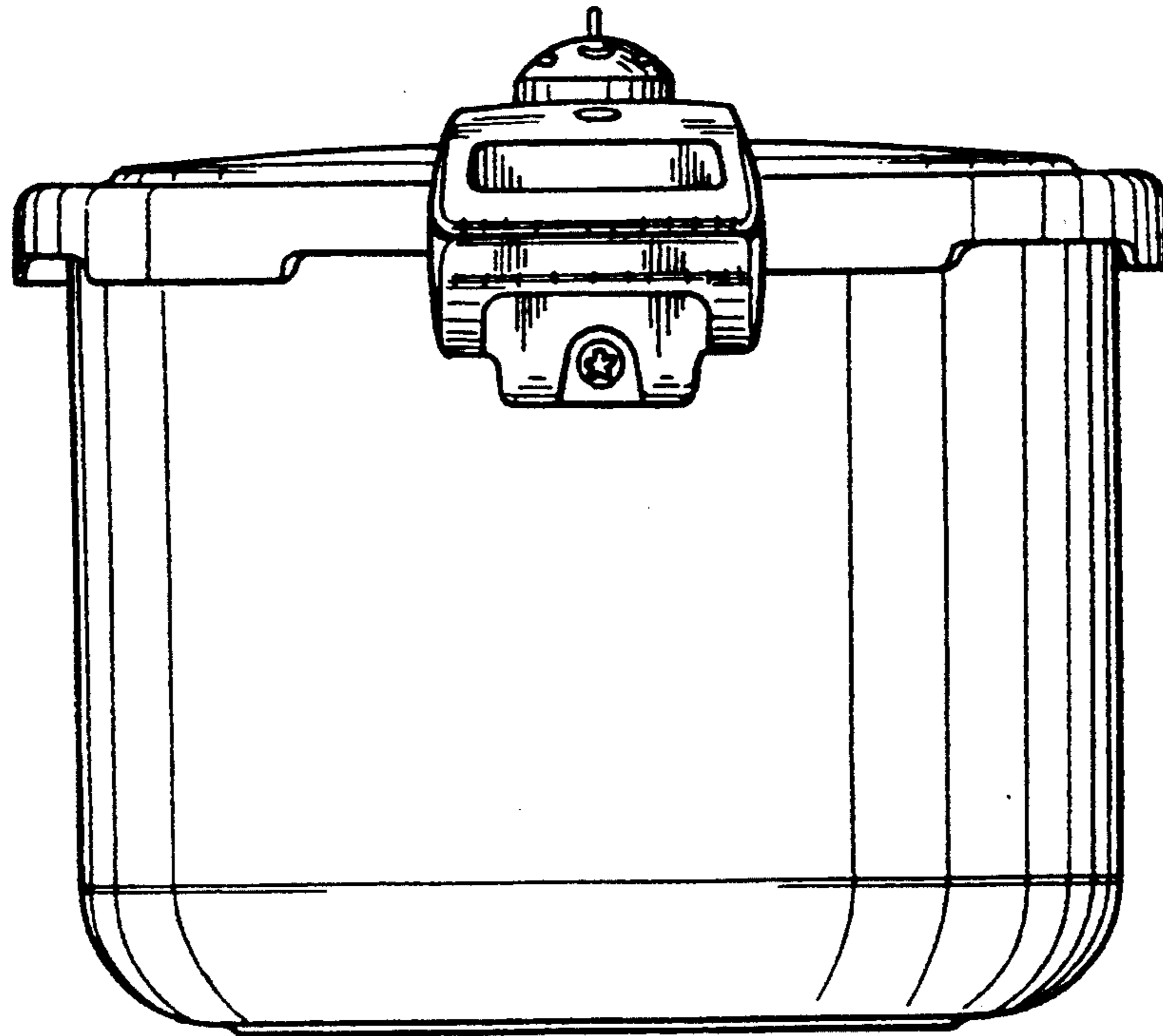


FIG. 4

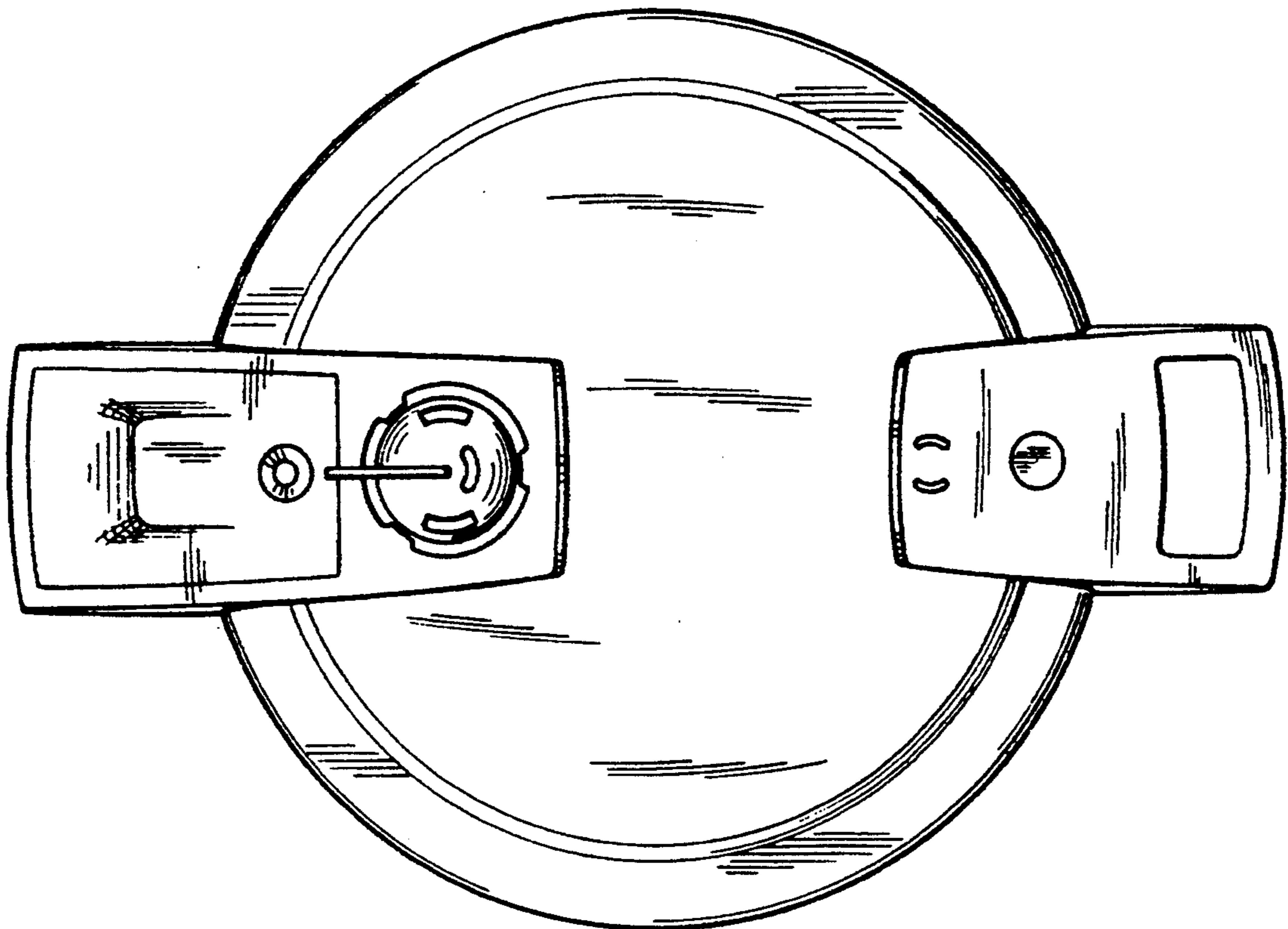


FIG. 5

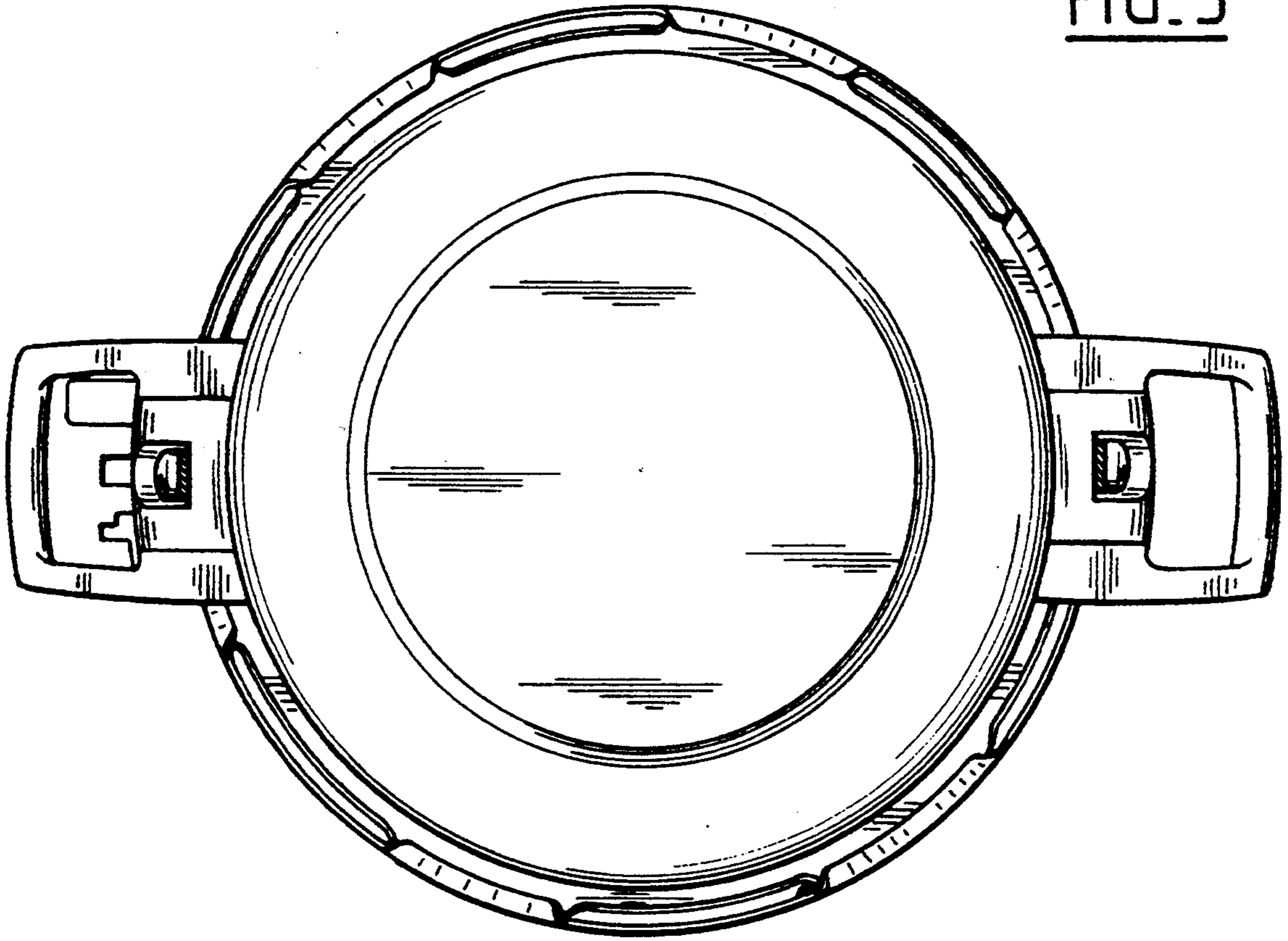


FIG. 6

