



US00D353968S

United States Patent [19]

[11] Patent Number: **Des. 353,968**

Cock

[45] Date of Patent: **** Jan. 3, 1995**

[54] **COOKING UTENSIL**

[75] Inventor: **John E. Cock**, New Farm, Australia

[73] Assignee: **Lenard Anthony Warren Sharman**,
Noosaville, Australia

[**] Term: **14 Years**

[21] Appl. No.: **3,805**

[22] Filed: **Jan. 15, 1993**

[30] **Foreign Application Priority Data**

Jul. 20, 1992 [AU] Australia 1898/92

[52] U.S. Cl. **D7/352; D7/674**

[58] Field of Search **D7/352, 353, 674, 683;**
99/372, 380, 381, 402, 426; 294/16

[56] **References Cited**

U.S. PATENT DOCUMENTS

- D. 157,832 3/1950 Blackman D7/352
- D. 160,864 11/1950 Kaplowitz et al. D7/352
- D. 181,184 10/1957 Cataldo D7/352
- D. 233,302 10/1974 Trovinger D7/352
- D. 312,187 11/1990 Khubani D7/352

Primary Examiner—Martie Thompson

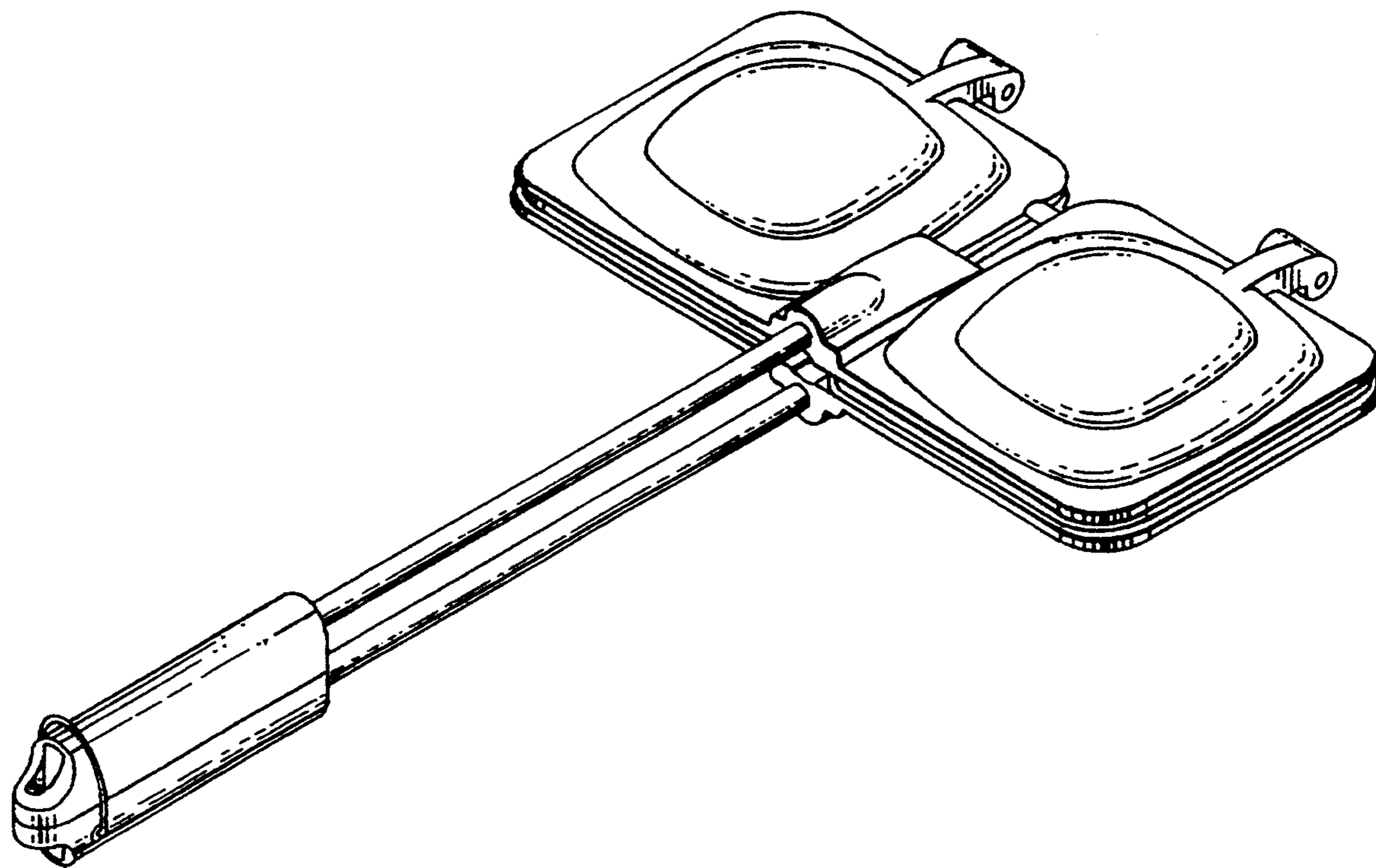
Assistant Examiner—Caron D. Veynar
Attorney, Agent, or Firm—Peter D. Keefe

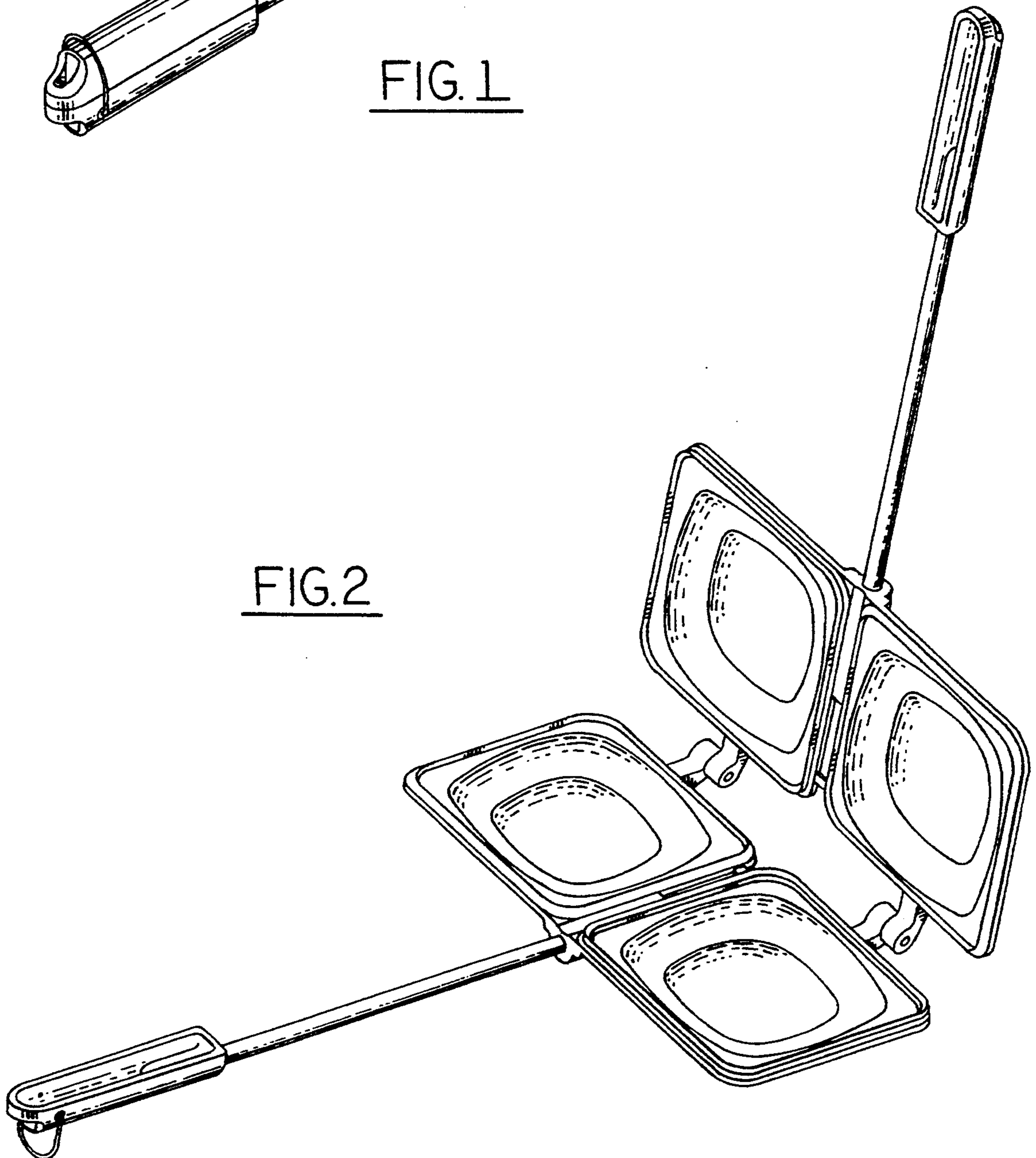
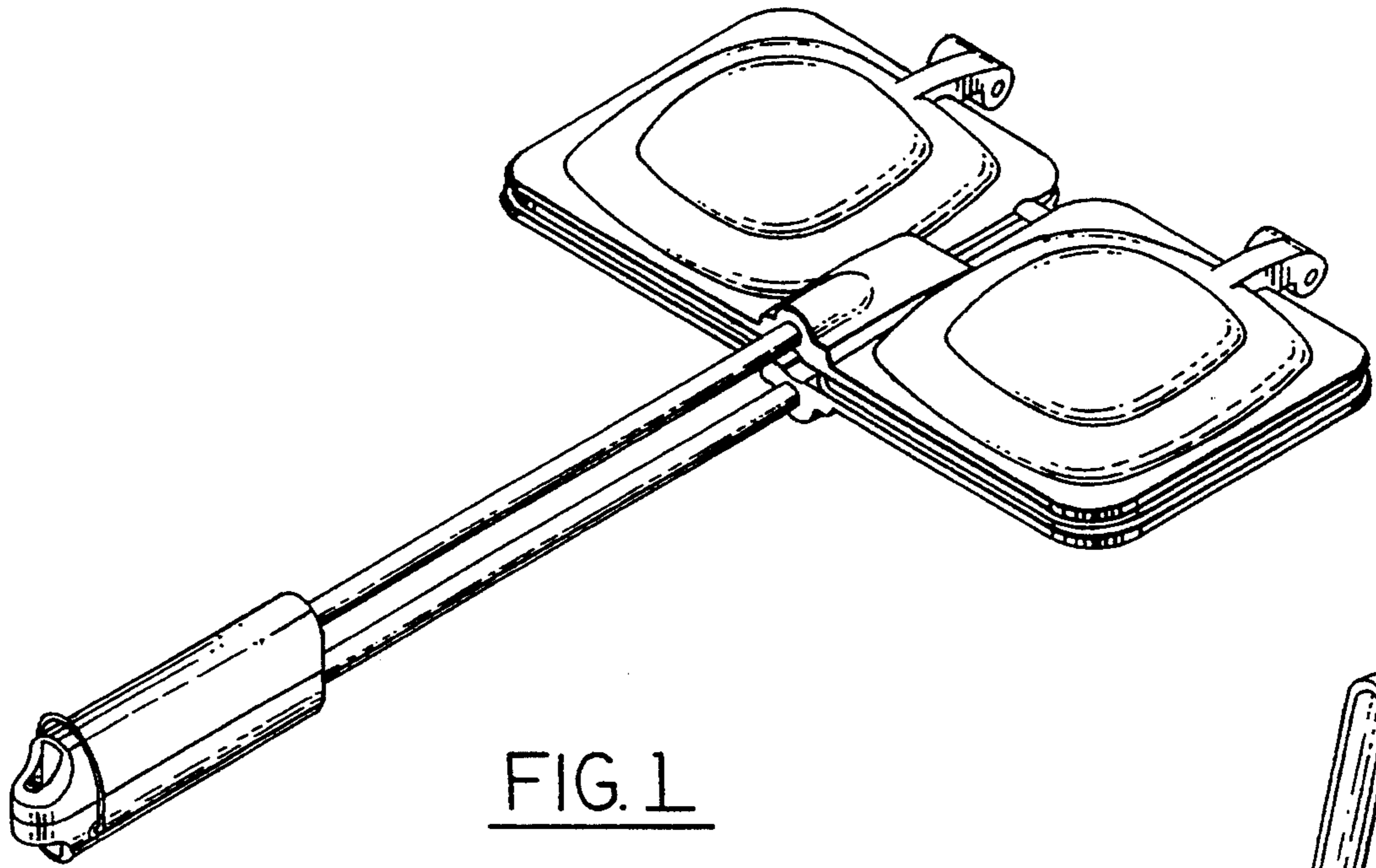
[57] **CLAIM**

The ornamental design for a cooking utensil, as shown and described.

DESCRIPTION

FIG. 1 is a top perspective view of a cooking utensil according to my new design;
 FIG. 2 is a top perspective view of the cooking utensil according to my new design, showing the cooking utensil in an open configuration;
 FIG. 3 is a top plan view of the cooking utensil according to my new design;
 FIG. 4 is a left side elevational view of the cooking utensil according to my new design the right side elevational view being a mirror image thereof;
 FIG. 5 is a front end view of the cooking utensil according to my new design;
 FIG. 6 is a rear end view of the cooking utensil according to my new design; and,
 FIG. 7 is a partly broken away side view of the handles of the cooking utensil according to my new design, wherein the handles are shown clipped together.





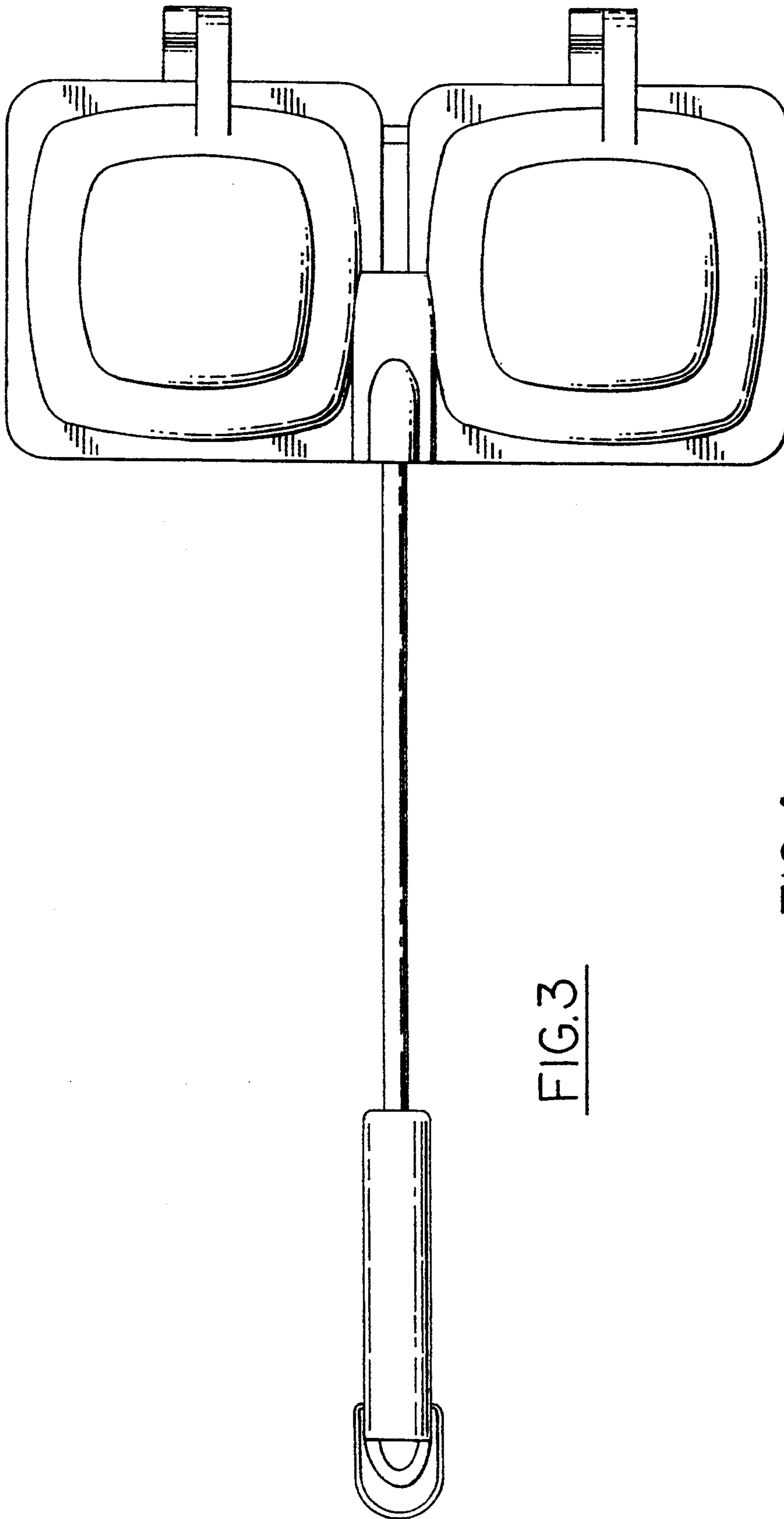


FIG. 3



FIG. 4

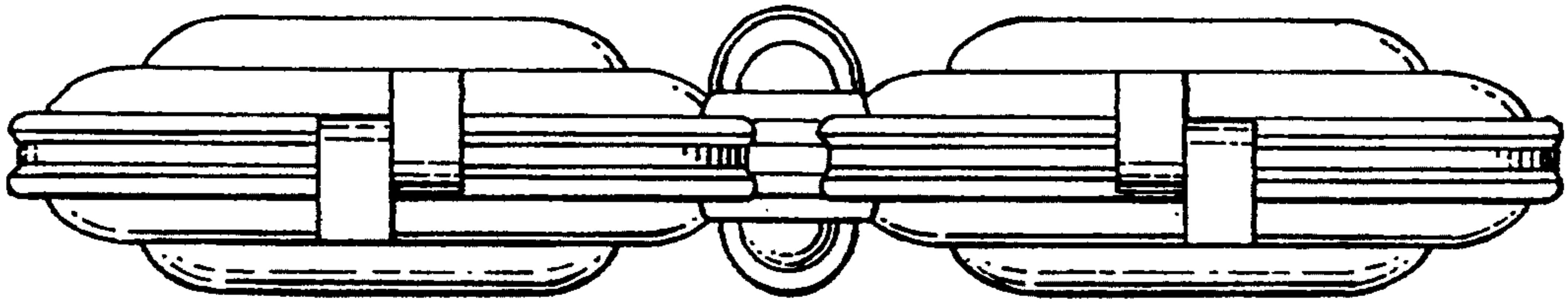


FIG. 5

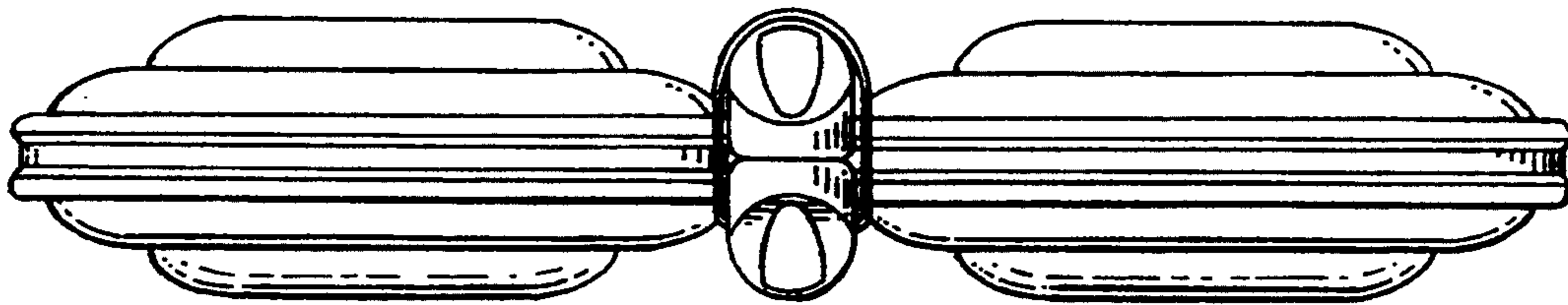


FIG. 6

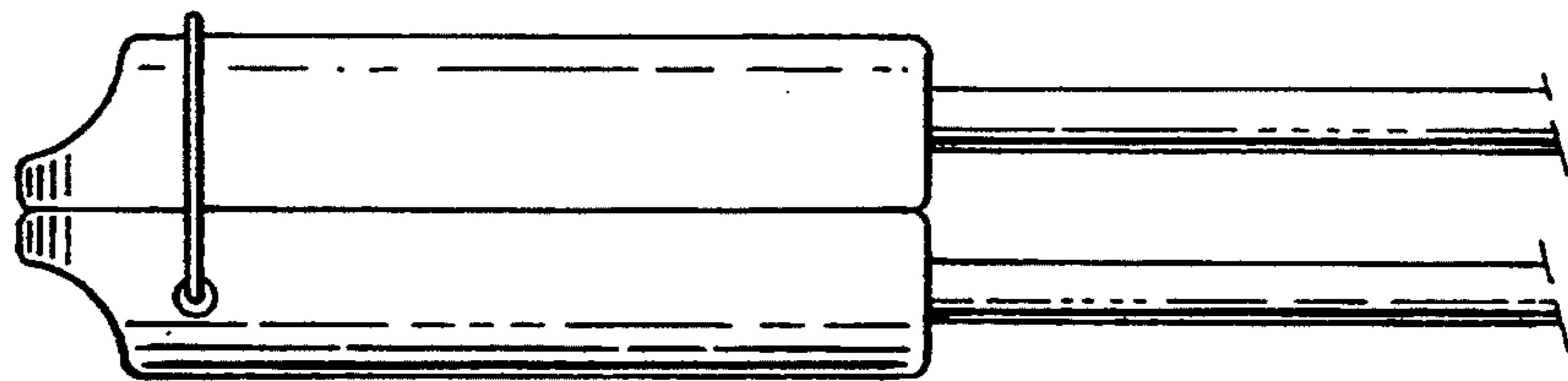


FIG. 7