



US00D353966S

United States Patent [19]

[11] Patent Number: **Des. 353,966**

Rogers

[45] Date of Patent: **** Jan. 3, 1995**

[54] **NECK CUSHION**

[76] Inventor: **Sydney M. Rogers**, 16 N. Chatsworth Ave., Larchmont, N.Y. 10538

[**] Term: **14 Years**

[21] Appl. No.: **15,456**

[22] Filed: **Nov. 17, 1993**

[52] U.S. Cl. **D6/601; D6/596; D24/191**

[58] Field of Search **D6/595, 596, 601, 604; 128/857; 5/636, 485, 637, 455, 640, 922, 652, 644; D24/183, 191, 190, 192**

[56] **References Cited**

U.S. PATENT DOCUMENTS

4,528,981 7/1985 Behar 5/637

4,873,734 10/1989 Pollard 5/485
4,876,755 10/1989 Parrish D24/183
5,044,026 9/1991 Matthews 5/644
5,103,514 4/1992 Leach 5/922

FOREIGN PATENT DOCUMENTS

1915013 10/1970 Germany 5/455

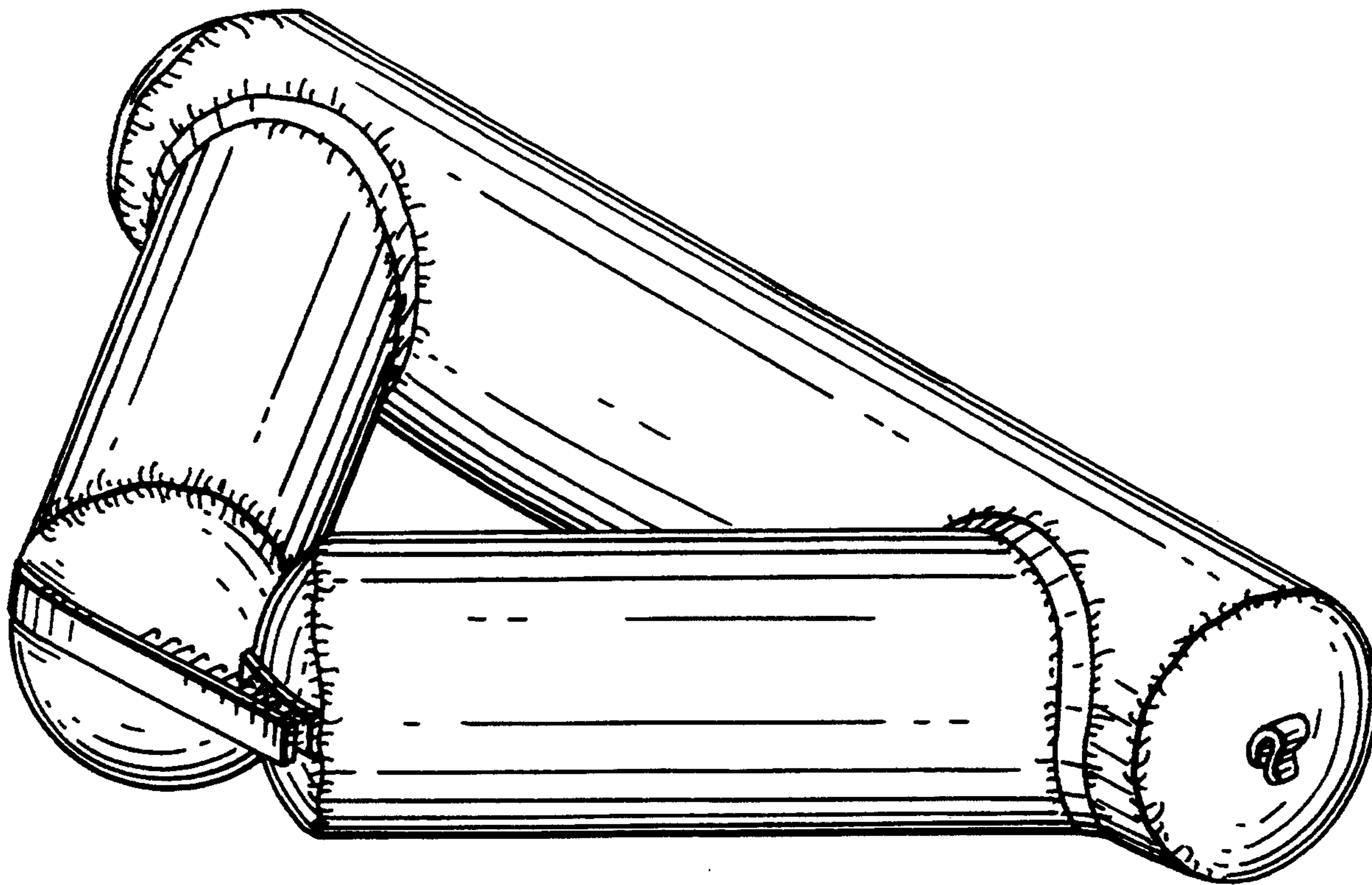
Primary Examiner—Lisa P. Lichtenstein
Attorney, Agent, or Firm—Charles E. Temko

[57] CLAIM

The ornamental design for a neck cushion, as shown.

DESCRIPTION

FIG. 1 is a top, front and right side elevational view in perspective showing my new design; FIG. 2 is a left side elevational view; FIG. 3 is a rear elevational view; and, FIG. 4 is a bottom plan view thereof.



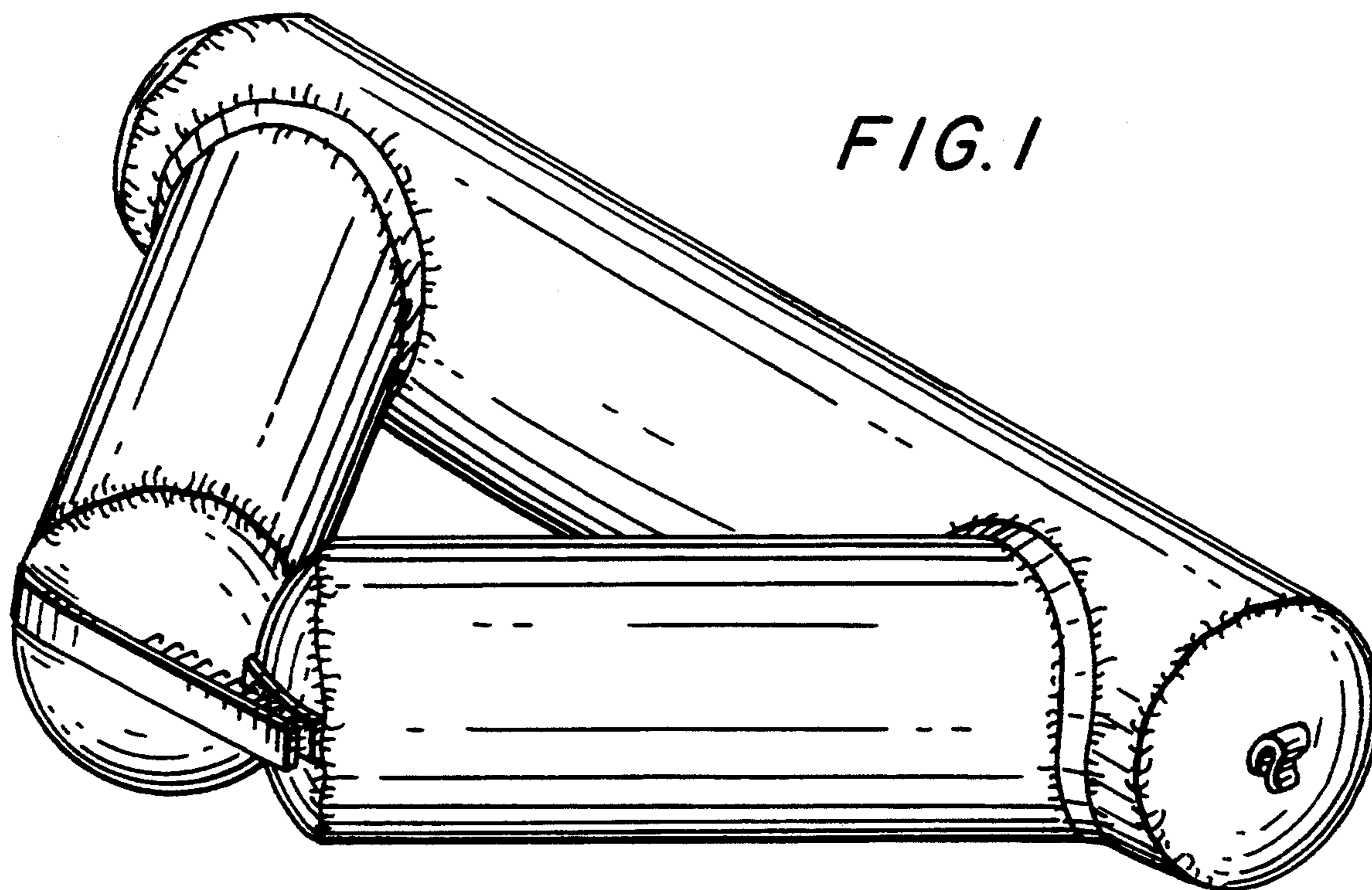


FIG. 2

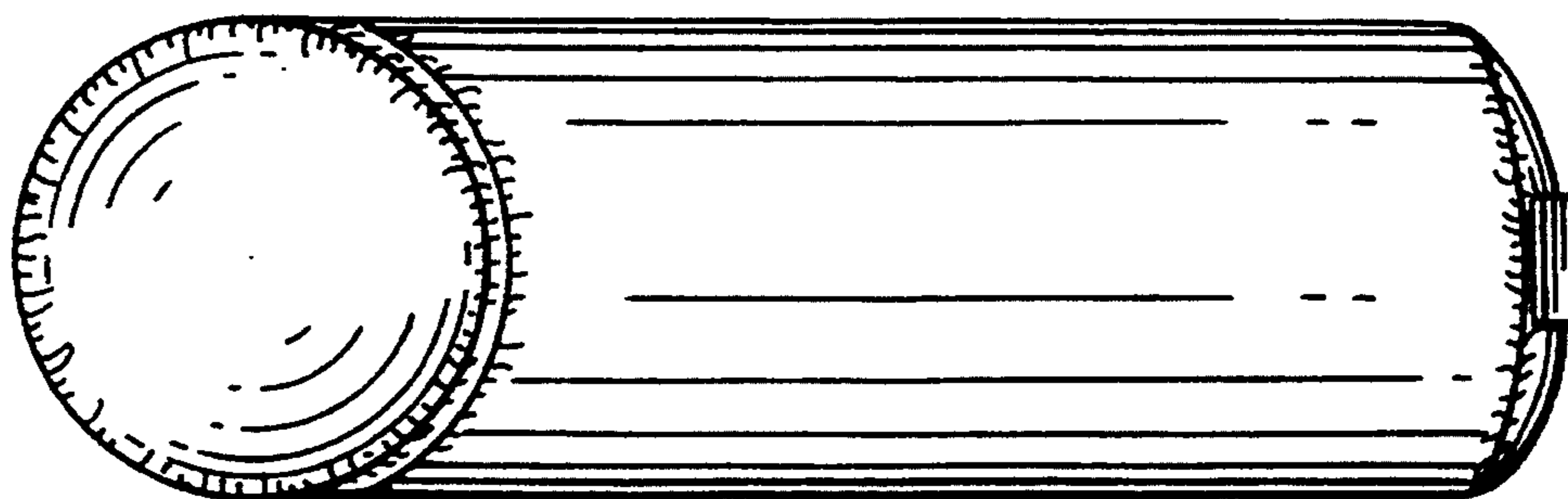


FIG. 3

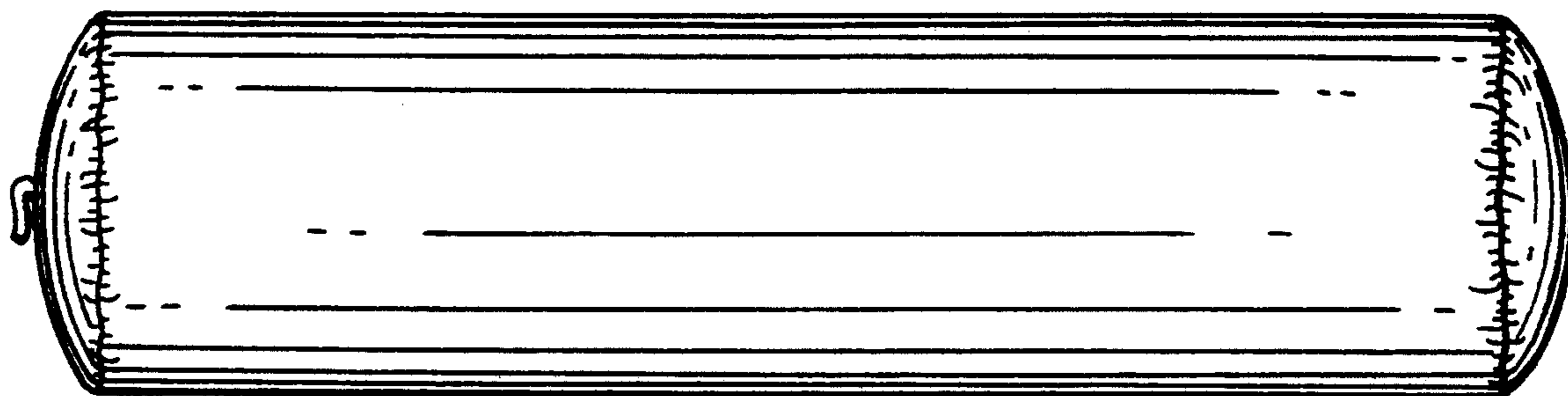


FIG. 4

