



US00D353965S

United States Patent [19]

[11] Patent Number: **Des. 353,965**

Winebrenner

[45] Date of Patent: **** Jan. 3, 1995**

[54] **PORTABLE ROLLED TISSUE DISPENSER**

[56] **References Cited**

[76] Inventor: **John F. Winebrenner**, 9401 Roberts Dr., NW. #25-C, Dunwoody, Ga. 30350

U.S. PATENT DOCUMENTS

D. 116,736	9/1939	Bulmann	D6/522
D. 182,161	2/1958	Bulmann	D6/522
D. 301,667	6/1989	Barrs et al.	D6/518
D. 335,597	5/1993	Winebrenner	D6/518
3,227,386	1/1966	Pitcher	242/55.2

[*] Notice: The portion of the term of this patent subsequent to May 18, 2007 has been disclaimed.

Primary Examiner—Brian N. Vinson
Attorney, Agent, or Firm—Harry I. Leon

[**] Term: **14 Years**

[57] CLAIM

[21] Appl. No.: **7,067**

The ornamental design for a portable tissue dispenser, as shown and described.

[22] Filed: **Apr. 14, 1993**

DESCRIPTION

Related U.S. Application Data

[63] Continuation-in-part of Ser. No. 773,689, Oct. 8, 1991, Pat. No. Des. 335,597.

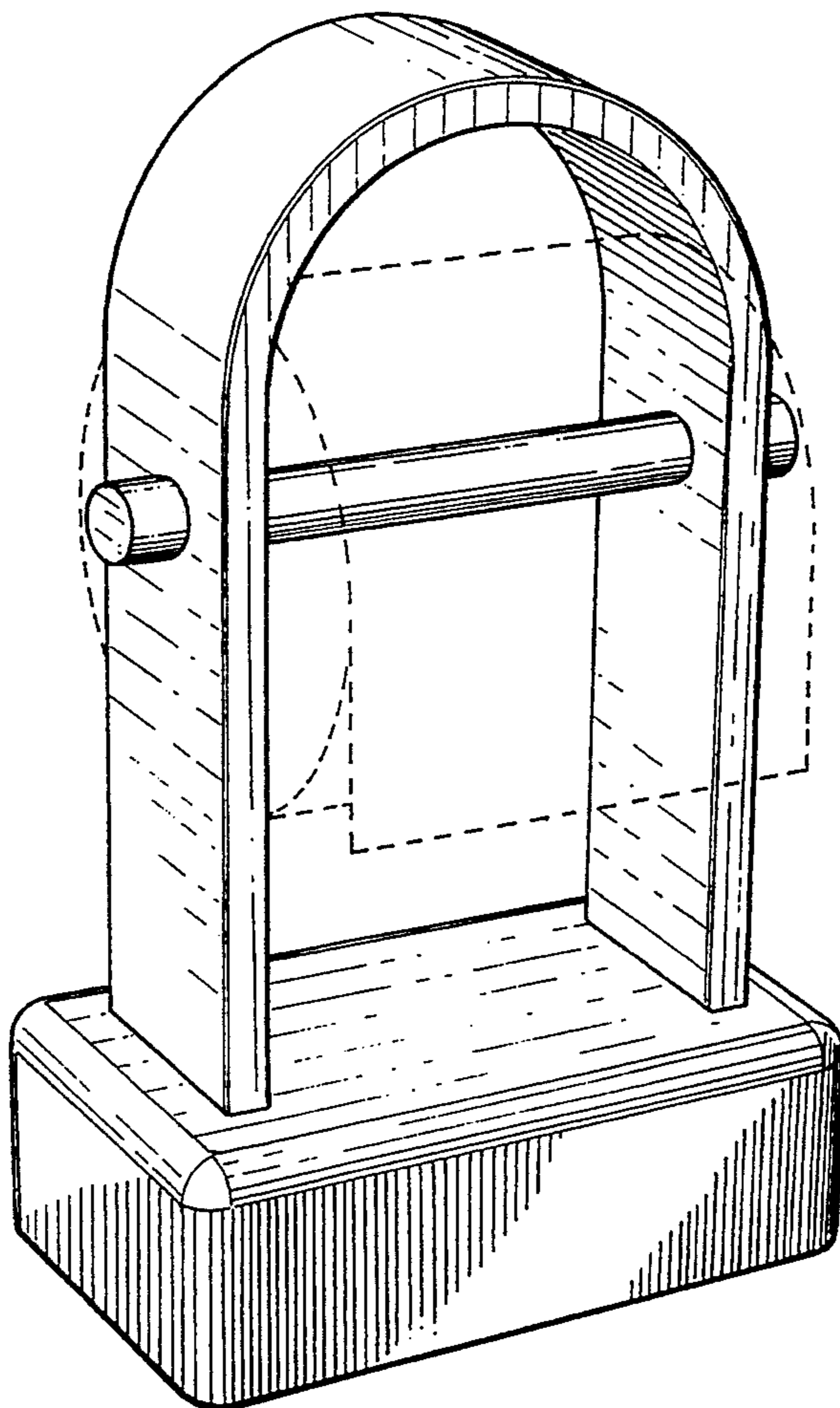
FIG. 1 is a top, front and left side perspective view of a portable rolled tissue dispenser showing my new design, the broken-line disclosure of a tissue roll being for illustration purposes only and forming no part of the claimed design;

[52] U.S. Cl. **D6/518; D6/522; D6/523**

FIG. 2 is a reduced top plan view thereof;

[58] Field of Search **D6/518-523; 242/55.2, 55.53; 206/389**

FIG. 3 is a reduced front elevational view thereof; and, FIG. 4 is a top, front, and left side perspective view thereof, the dispenser being shown without the rod for holding the tissue roll.



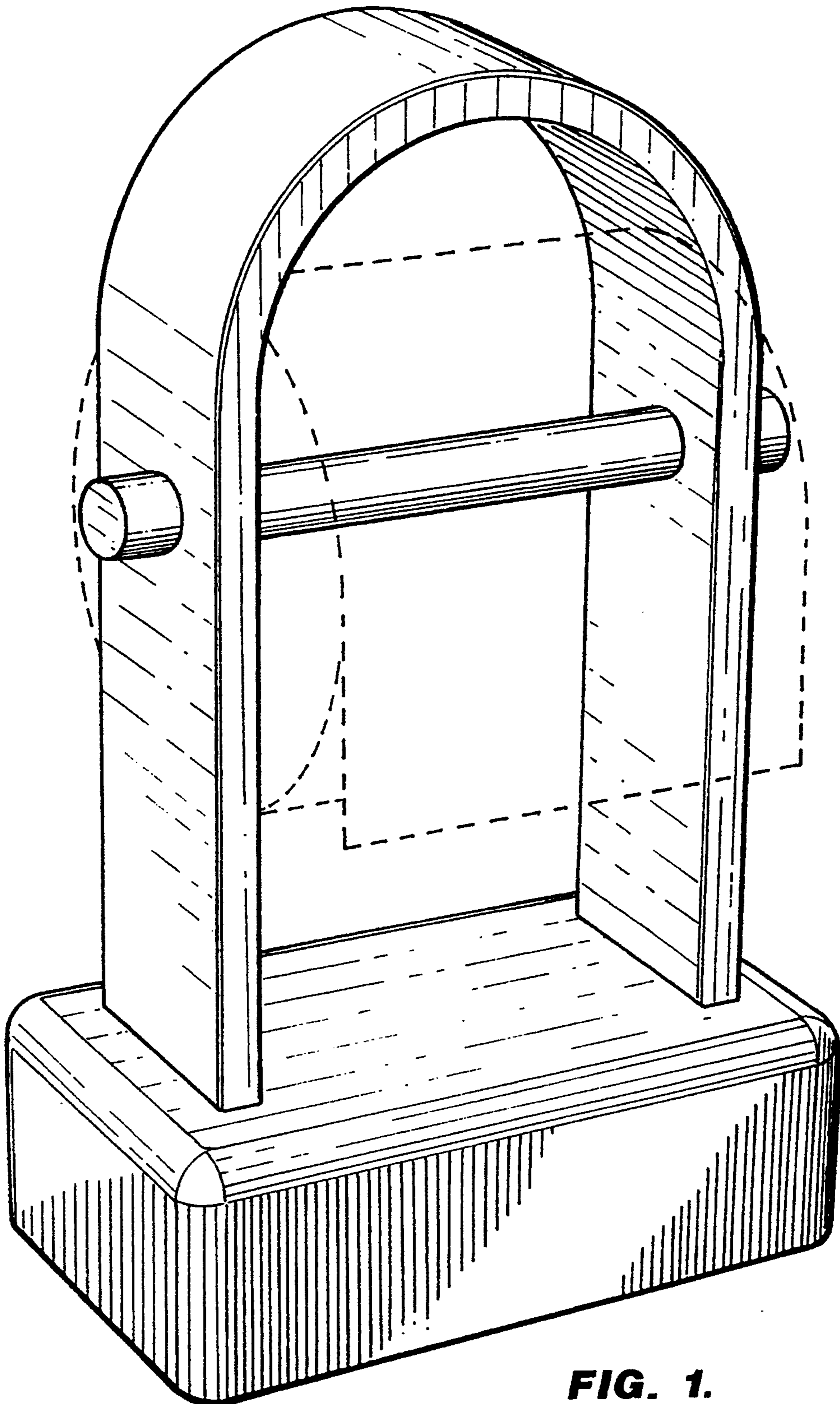


FIG. 1.

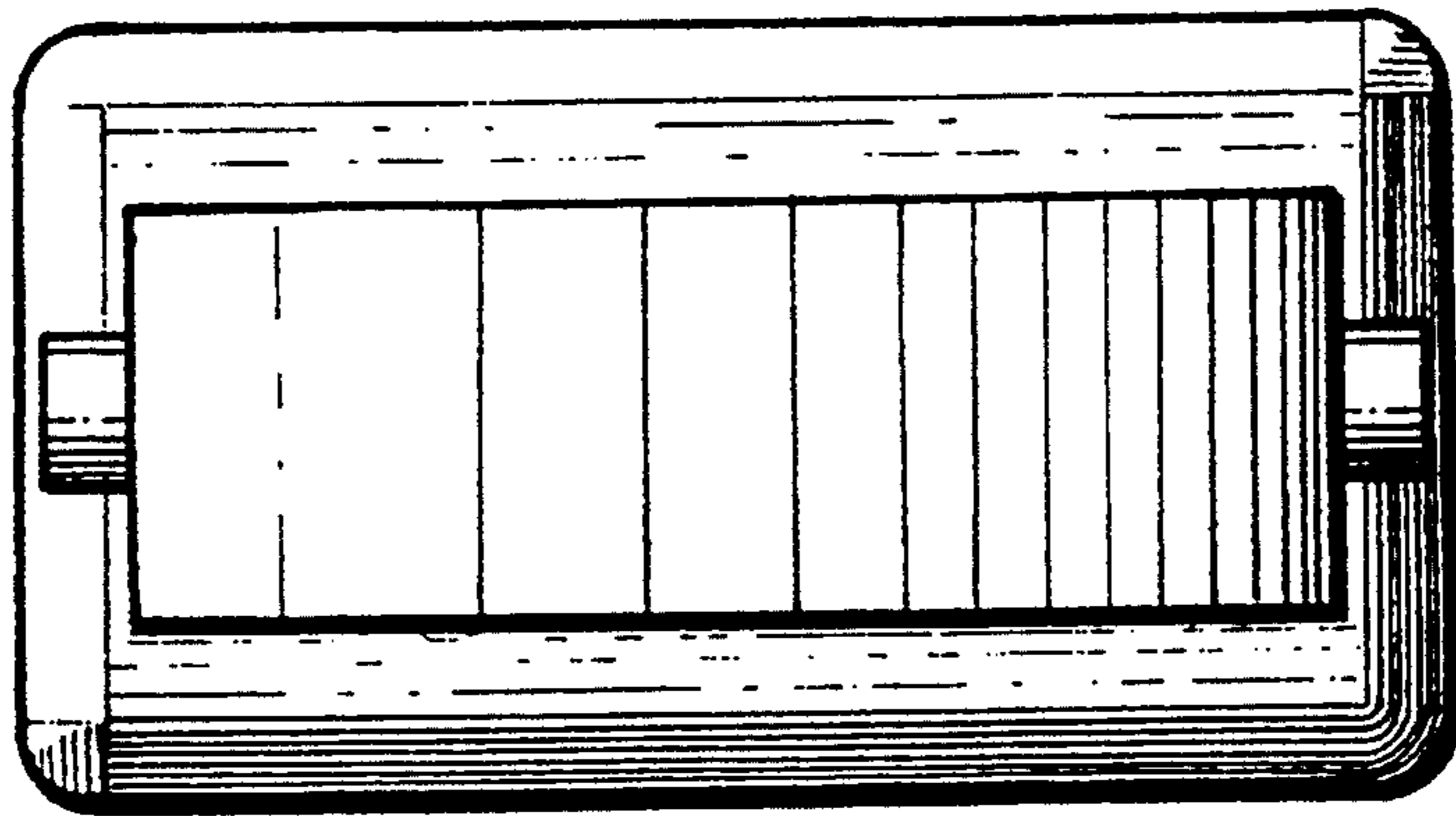


FIG. 2.

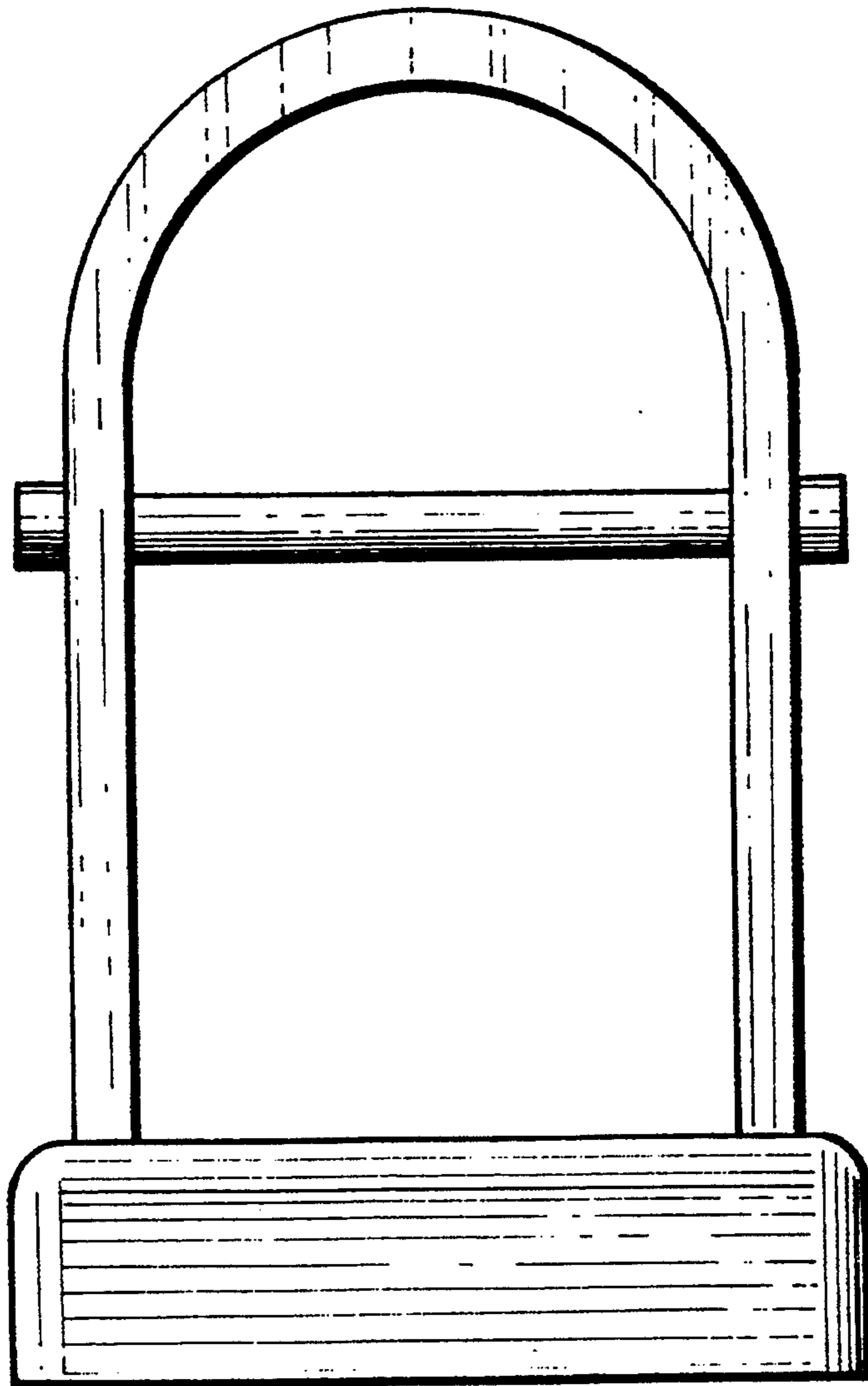


FIG. 3.

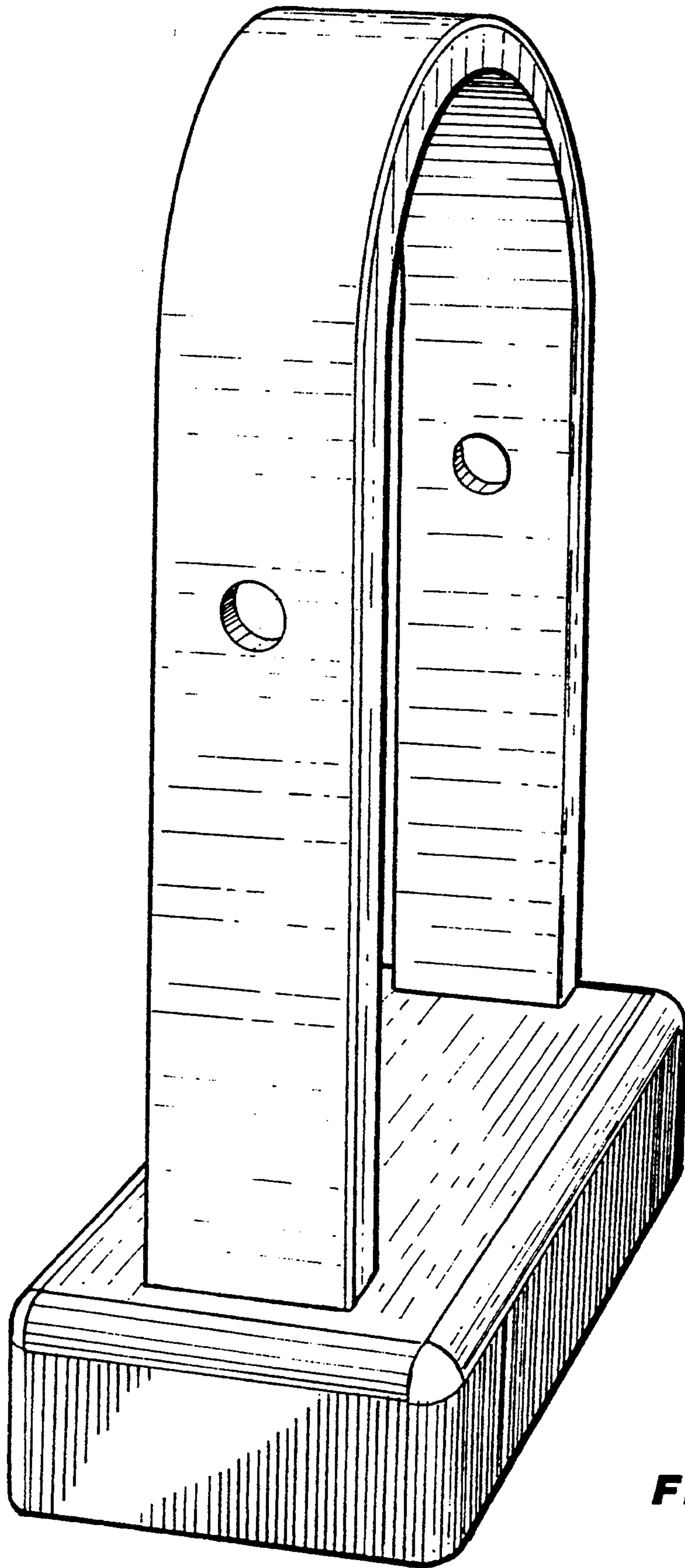


FIG. 4.