



US00D353964S

United States Patent [19]

[11] Patent Number: **Des. 353,964**

Phleps et al.

[45] Date of Patent: **** Jan. 3, 1995**

[54] **COMBINED BACKREST AND HEADREST**

3,198,574	8/1965	Sadayasu et al.	297/188 X
3,222,105	12/1965	Cross	D6/367 X
3,877,751	4/1975	Rasmussen	297/410
4,032,190	6/1977	Muller-Deisig et al.	D6/367 X

[75] Inventors: **Tilman Phleps, Lorsch; Klaus Stoeckl, Bensheim, both of Germany**

[73] Assignee: **Siemens Aktiengesellschaft, Munich, Germany**

Primary Examiner—Janice E. Seeger
Attorney, Agent, or Firm—Hill, Steadman & Simpson

[**] Term: **14 Years**

[57] **CLAIM**

[21] Appl. No.: **7,255**

The ornamental design for a combined backrest and headrest, as shown and described.

[22] Filed: **Apr. 20, 1993**

DESCRIPTION

[30] **Foreign Application Priority Data**

Nov. 4, 1992 [XH] Hague Agreement DM/001939

[52] U.S. Cl. **D6/502; D6/501**

[58] Field of Search **D6/367, 368, 500-502; 297/452.29, 452.3, 452.32, 410, 397, 188, 403**

FIG. 1 is a perspective view taken from the front lower side of a combined backrest and headrest in an inclined position showing our design;

FIG. 2 is an end view of the combined backrest and headrest taken from the left end of FIG. 1;

FIG. 3 is a top plan view of the combined backrest and headrest of FIG. 1;

FIG. 4 is a side elevational view of the combined backrest and headrest of the right side of FIG. 3 with the left side being a mirror image thereof;

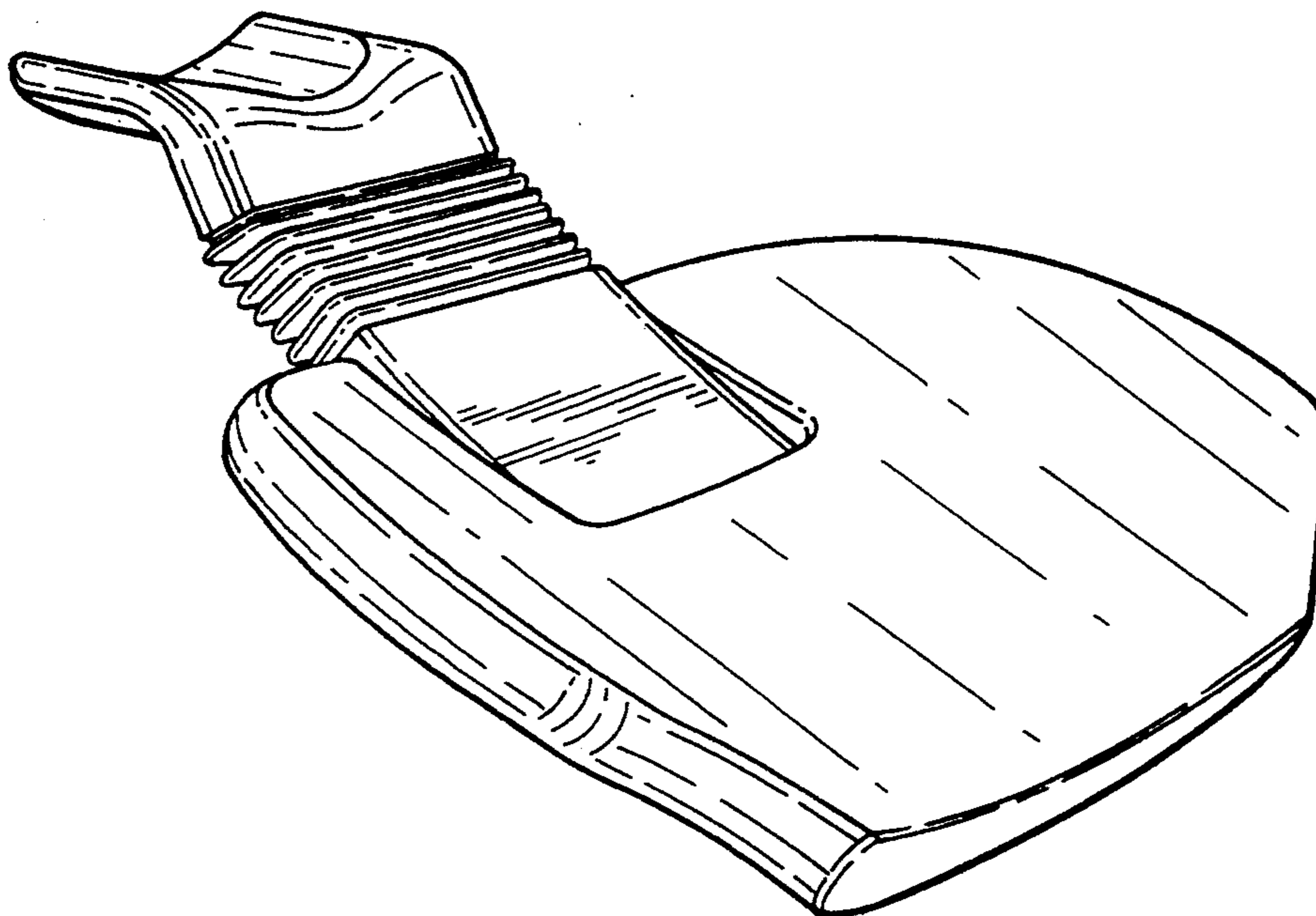
FIG. 5 is a rear view of the combined backrest and headrest of FIG. 4 and,

FIG. 6 is a front view of the combined backrest and headrest of FIG. 4.

[56] **References Cited**

U.S. PATENT DOCUMENTS

D. 238,019	12/1975	Leffler et al. .	
D. 300,657	4/1989	Simpkins et al.	D6/367 X
D. 336,381	6/1993	Nordstrom	D6/367
D. 336,805	6/1993	Starke	D6/502
2,527,868	10/1950	Wilson	297/410
3,156,500	11/1964	Ken	297/397 X



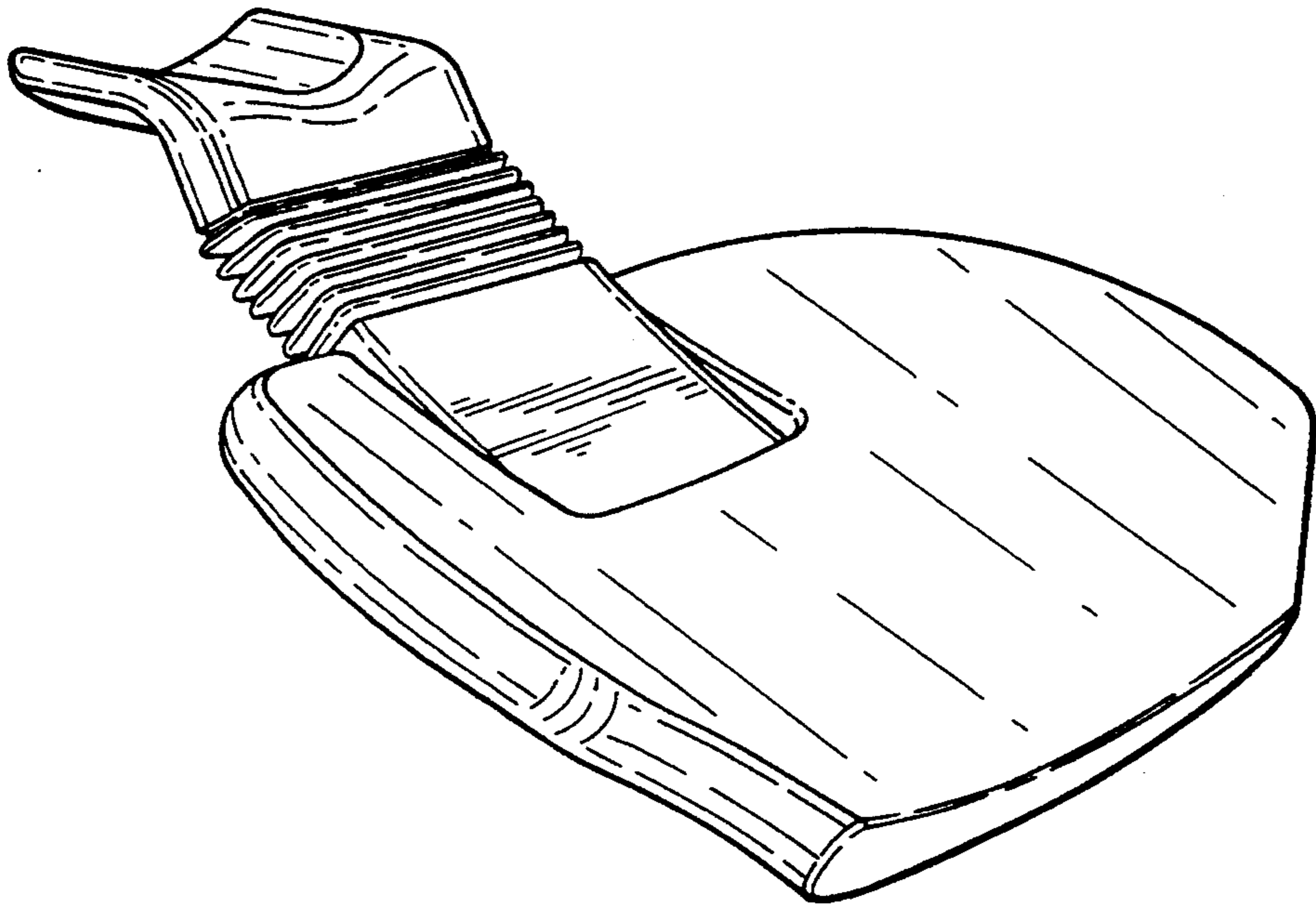


FIG 1

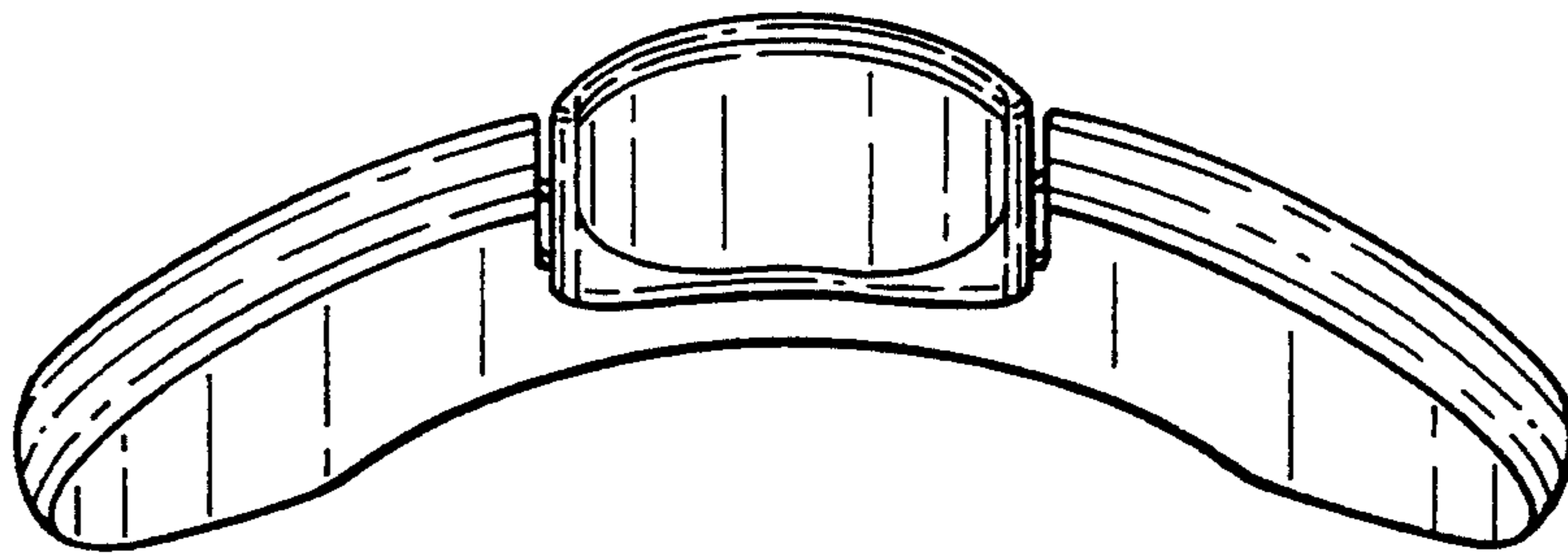


FIG 2

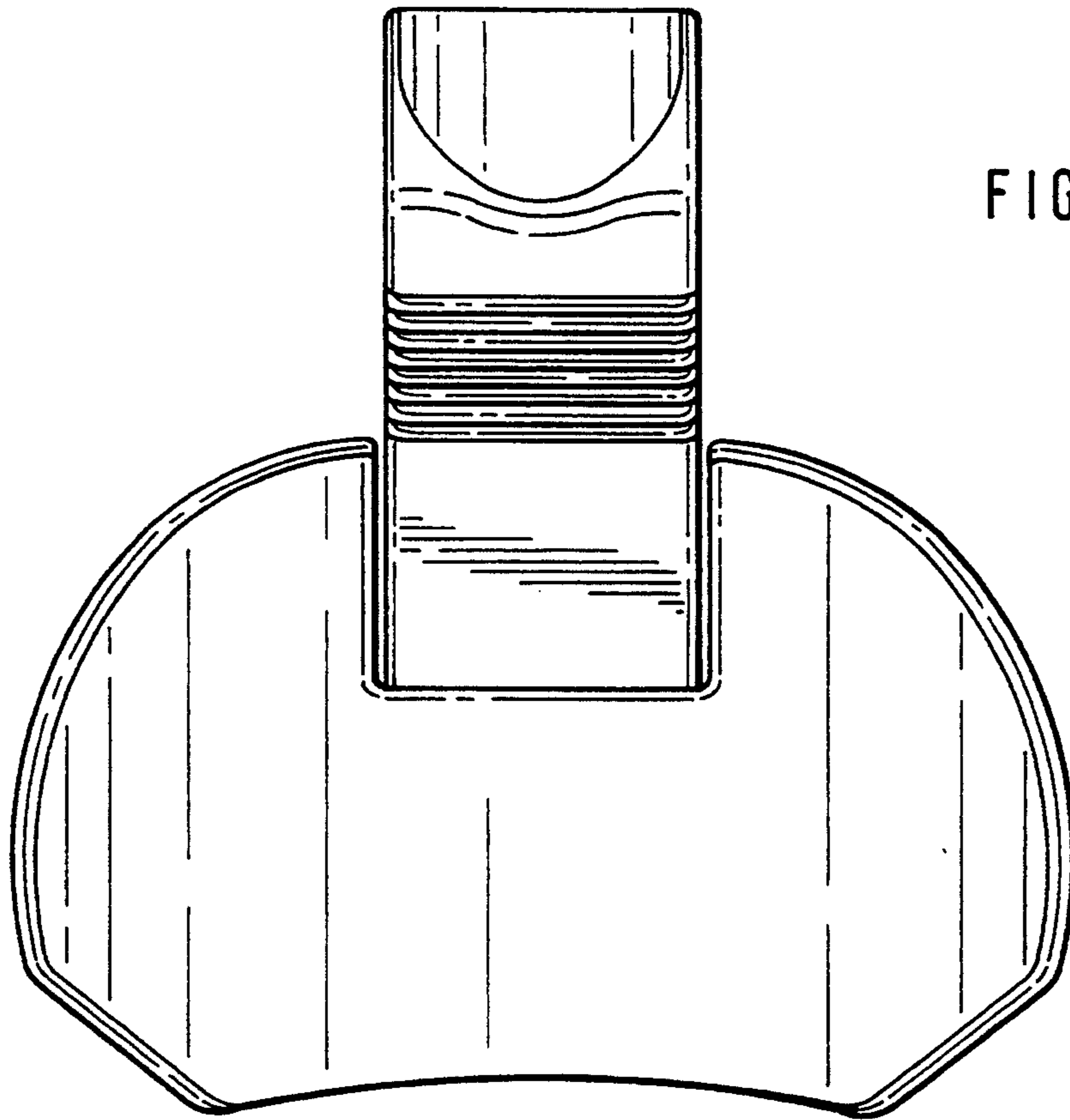


FIG 3

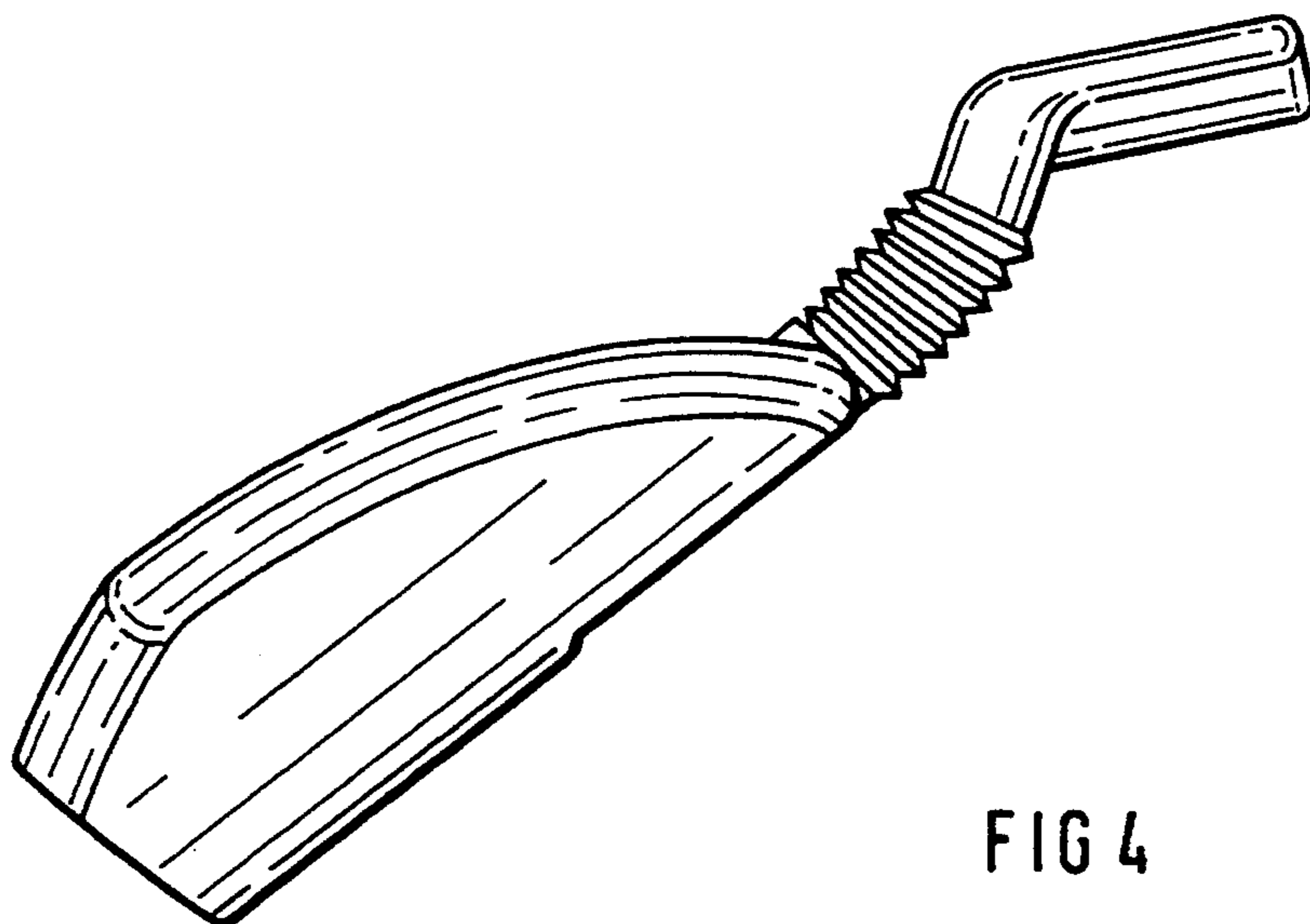


FIG 4

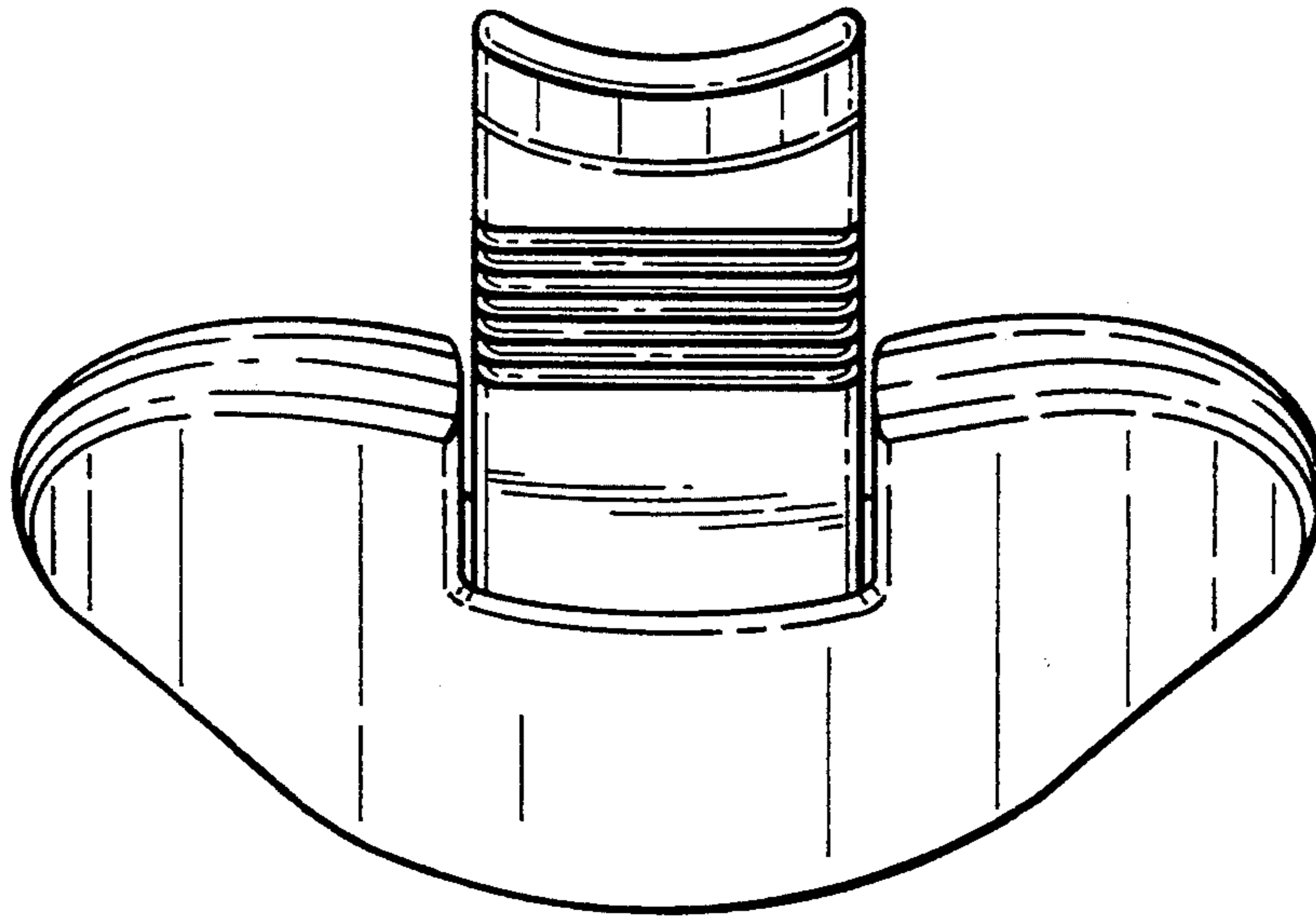


FIG 5

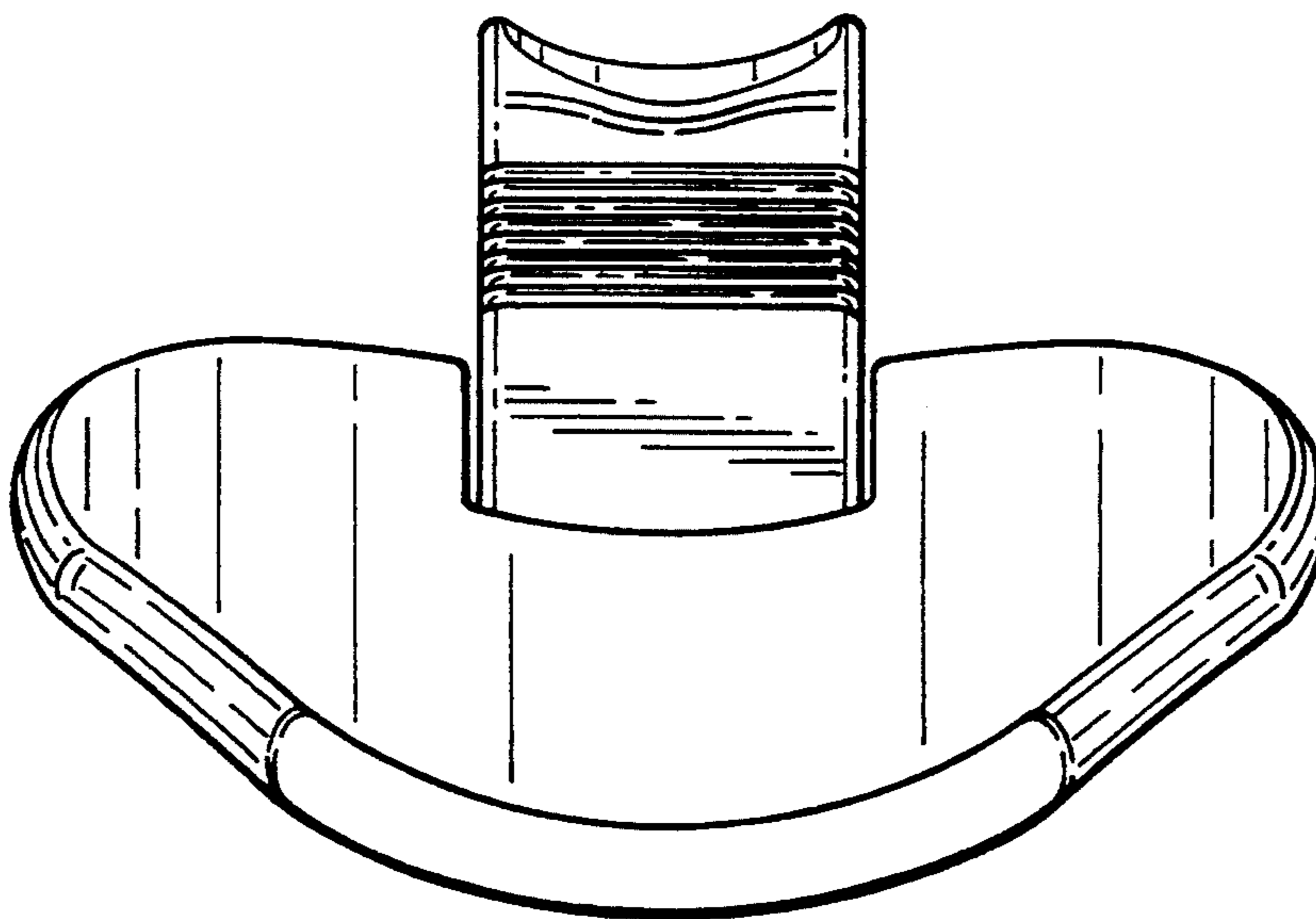


FIG 6