



US00D353963S

# United States Patent [19]

[11] Patent Number: **Des. 353,963**

Peters

[45] Date of Patent: **\*\* Jan. 3, 1995**

[54] **ATTACHMENT FOR A CHILD'S BICYCLE SEAT**

[75] Inventor: **Wolfram Peters**, Leiden, Netherlands

[73] Assignee: **Hamax AS**, Norway

[\*\*] Term: **14 Years**

[21] Appl. No.: **184**

[22] Filed: **Oct. 6, 1992**

[30] **Foreign Application Priority Data**

Jul. 15, 1992 [DE] Germany ..... 9205340

[52] U.S. Cl. .... **D6/502; D6/333**

[58] Field of Search ..... D6/333, 334, 339, 500-502, D6/349; 297/250.1, 195.13, 243

[56] **References Cited**

**U.S. PATENT DOCUMENTS**

D. 299,922	1/1974	Bishaf	.....	D6/354 X
3,746,392	7/1973	German	.....	297/195.13 X
3,808,598	4/1974	Carter	.	
3,902,737	9/1975	Berger et al.	.....	297/243 X
4,051,985	10/1977	Berger	.	

**FOREIGN PATENT DOCUMENTS**

2494207	5/1982	France	.....	297/195.13
8400639	9/1985	Netherlands	.....	297/195.13

**OTHER PUBLICATIONS**

Sears-Fall/Winter 1975, p. 1240, top left corner.

*Primary Examiner*—Janice E. Seeger

*Attorney, Agent, or Firm*—Andrus, Scales, Starke & Sawall

[57] **CLAIM**

The ornamental design for an attachment for a child's bicycle seat, as shown and described.

**DESCRIPTION**

FIG. 1 is a perspective view of an attachment for a child's bicycle seat, showing my new design;

FIG. 2 is a top plan view;

FIG. 3 is a bottom plan view;

FIG. 4 is a side elevational view, the opposite side being a mirror image thereof;

FIG. 5 is a front elevational view; and,

FIG. 6 is a rear elevational view thereof.

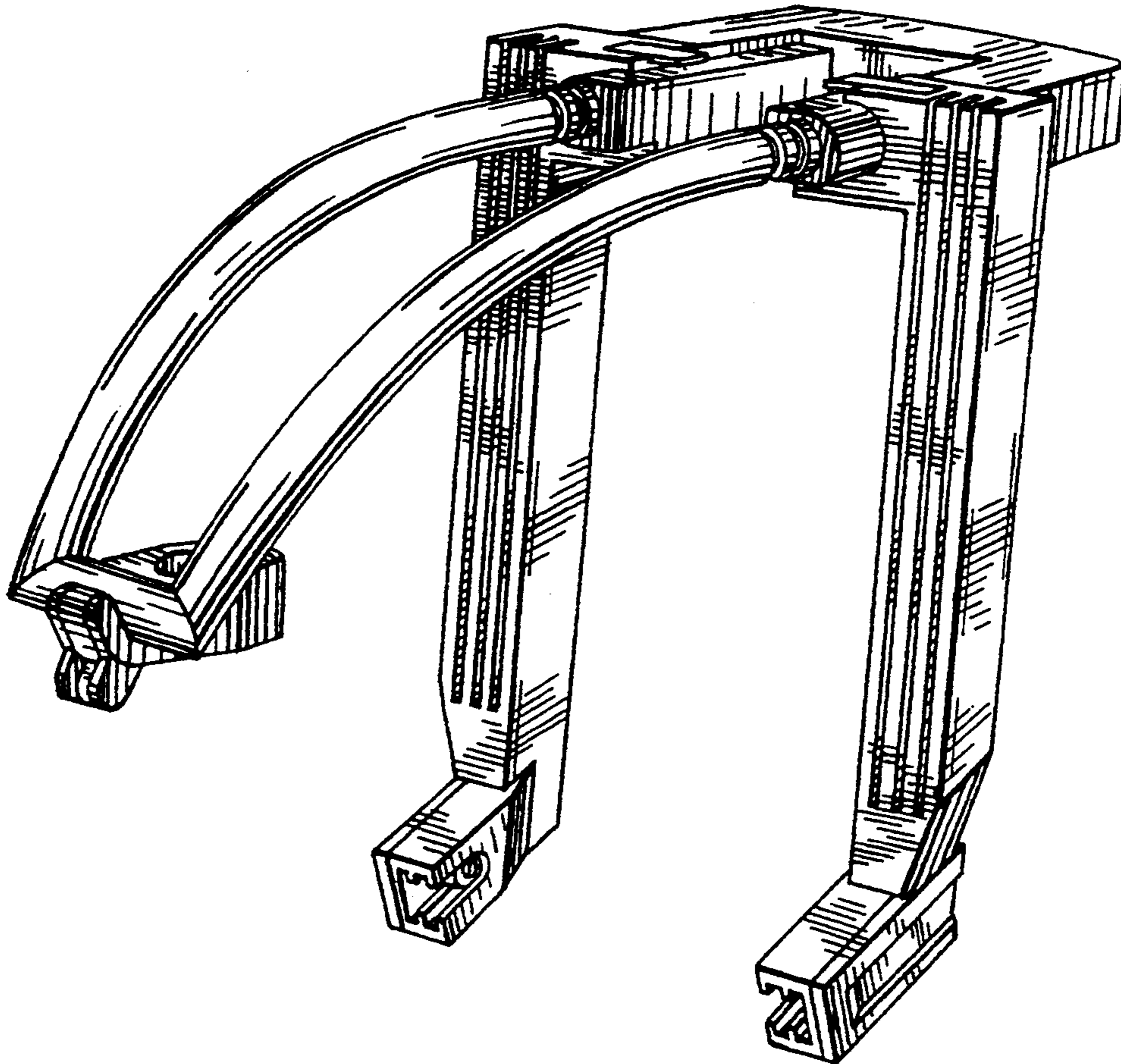


FIG. 1.

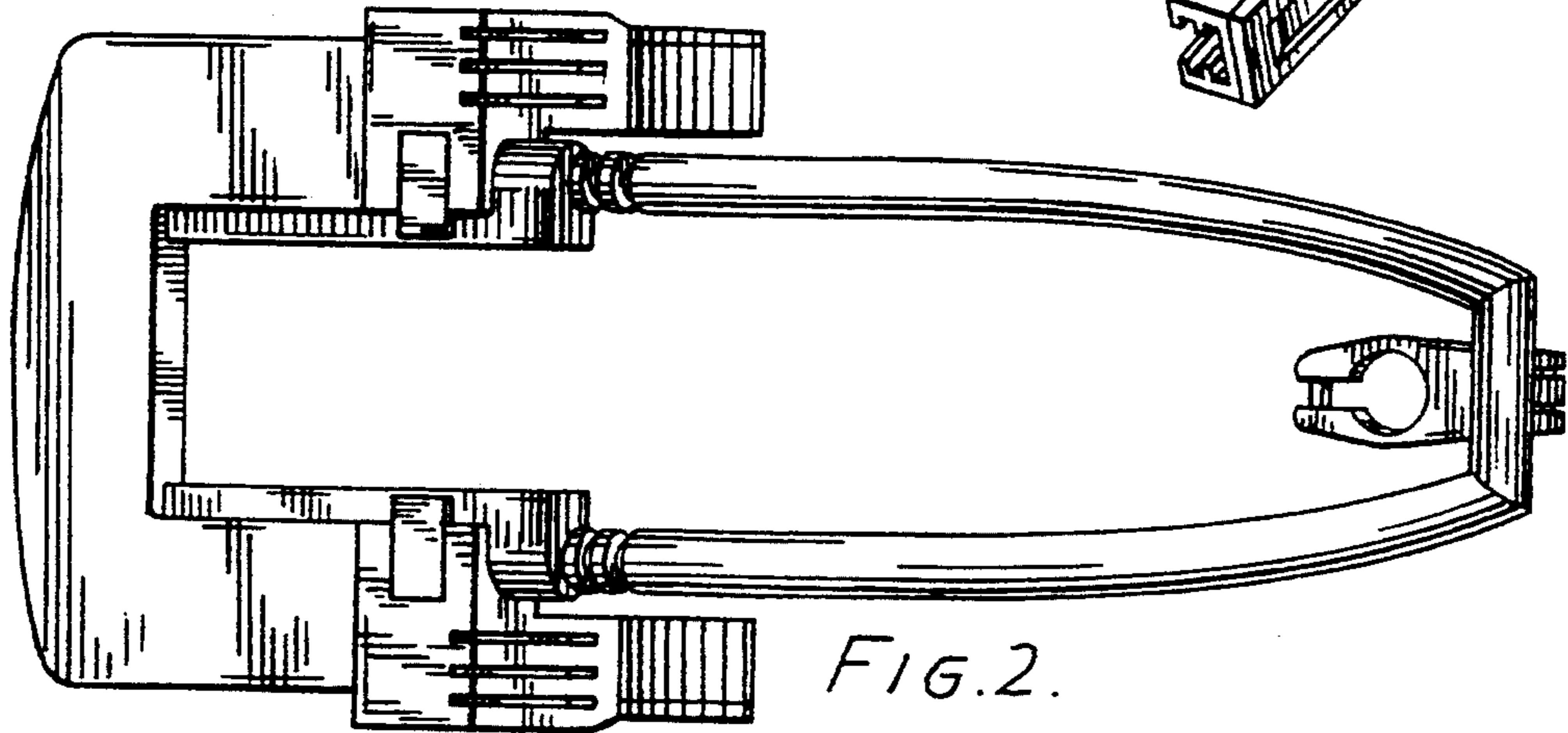
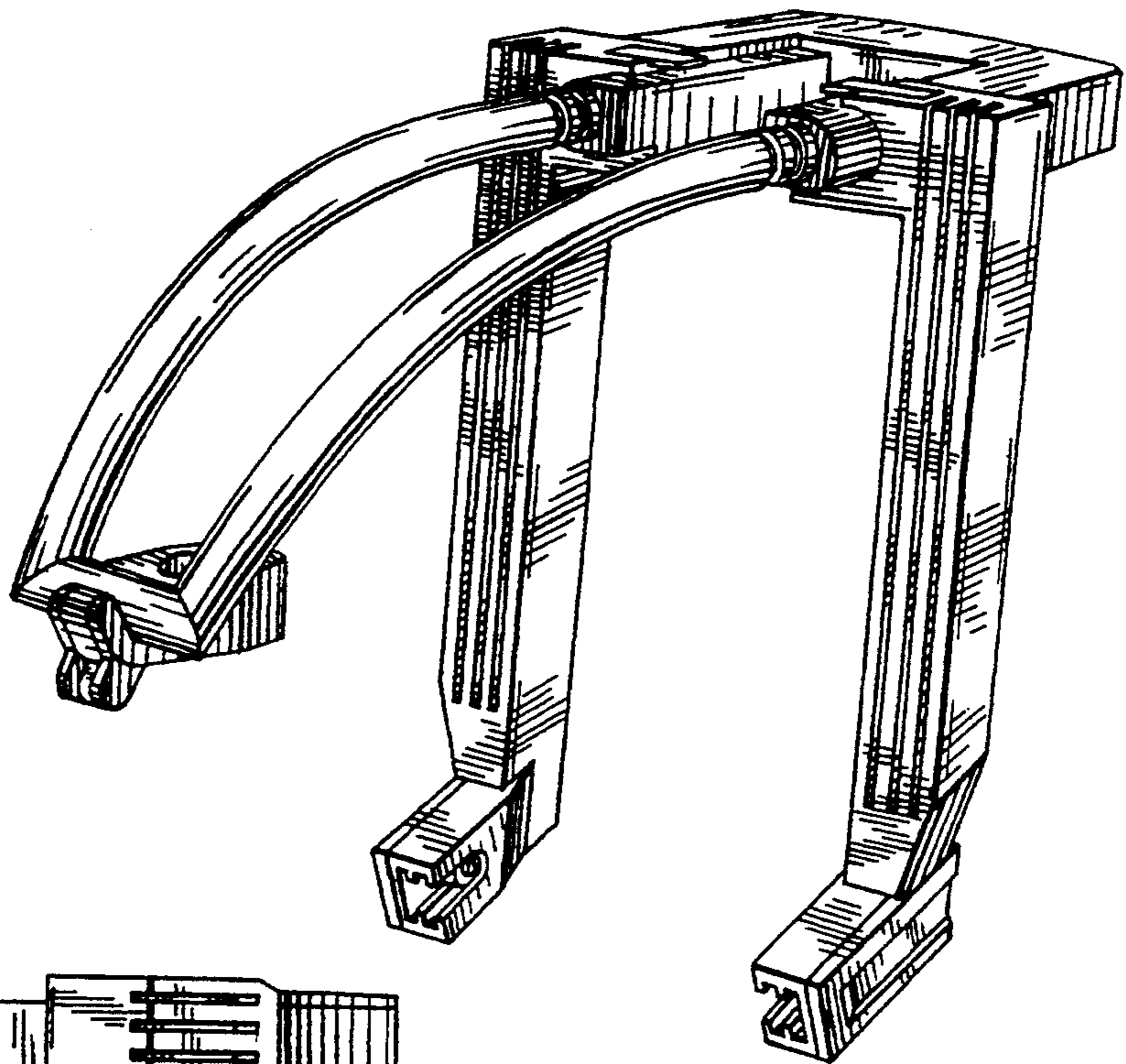


FIG. 2.

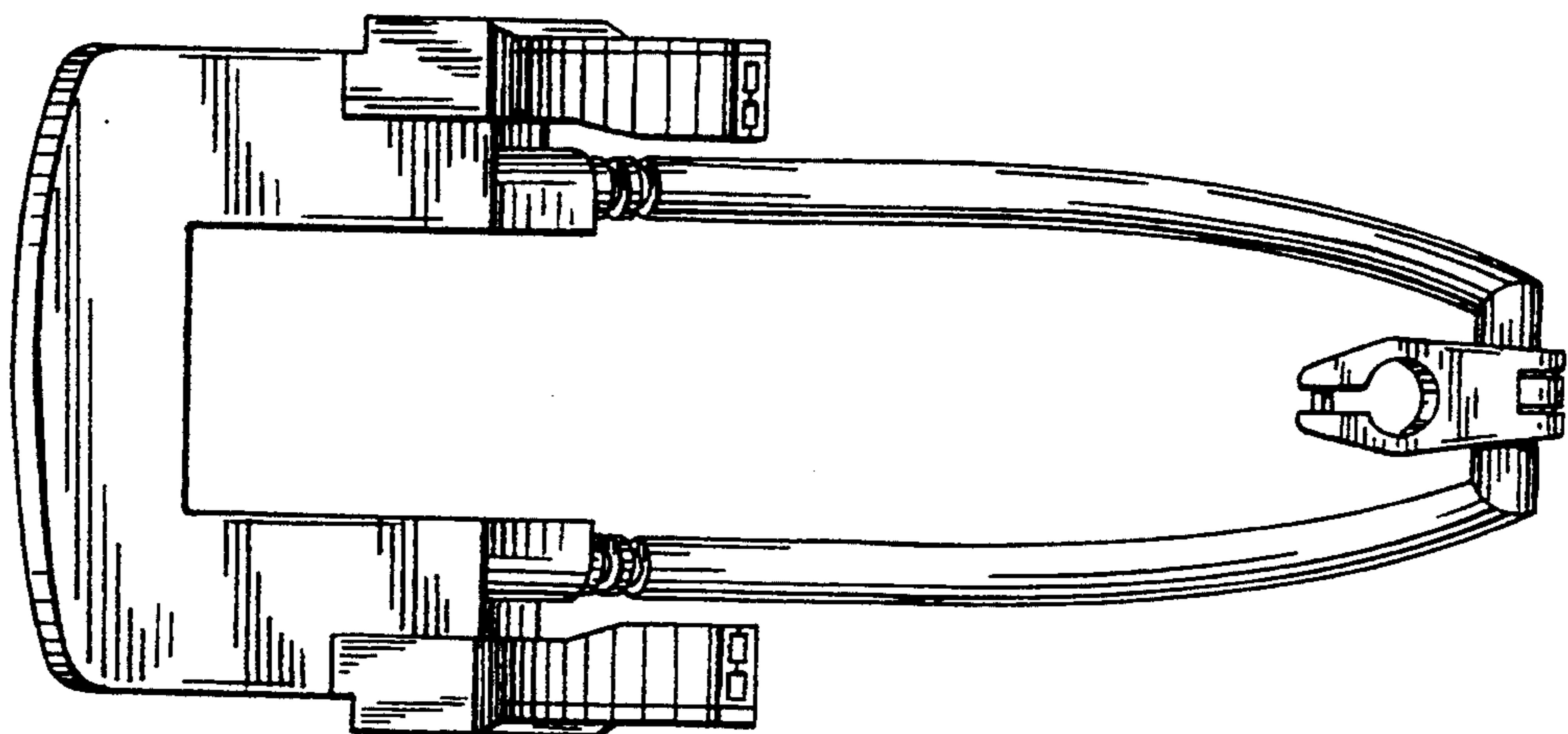


FIG. 3.

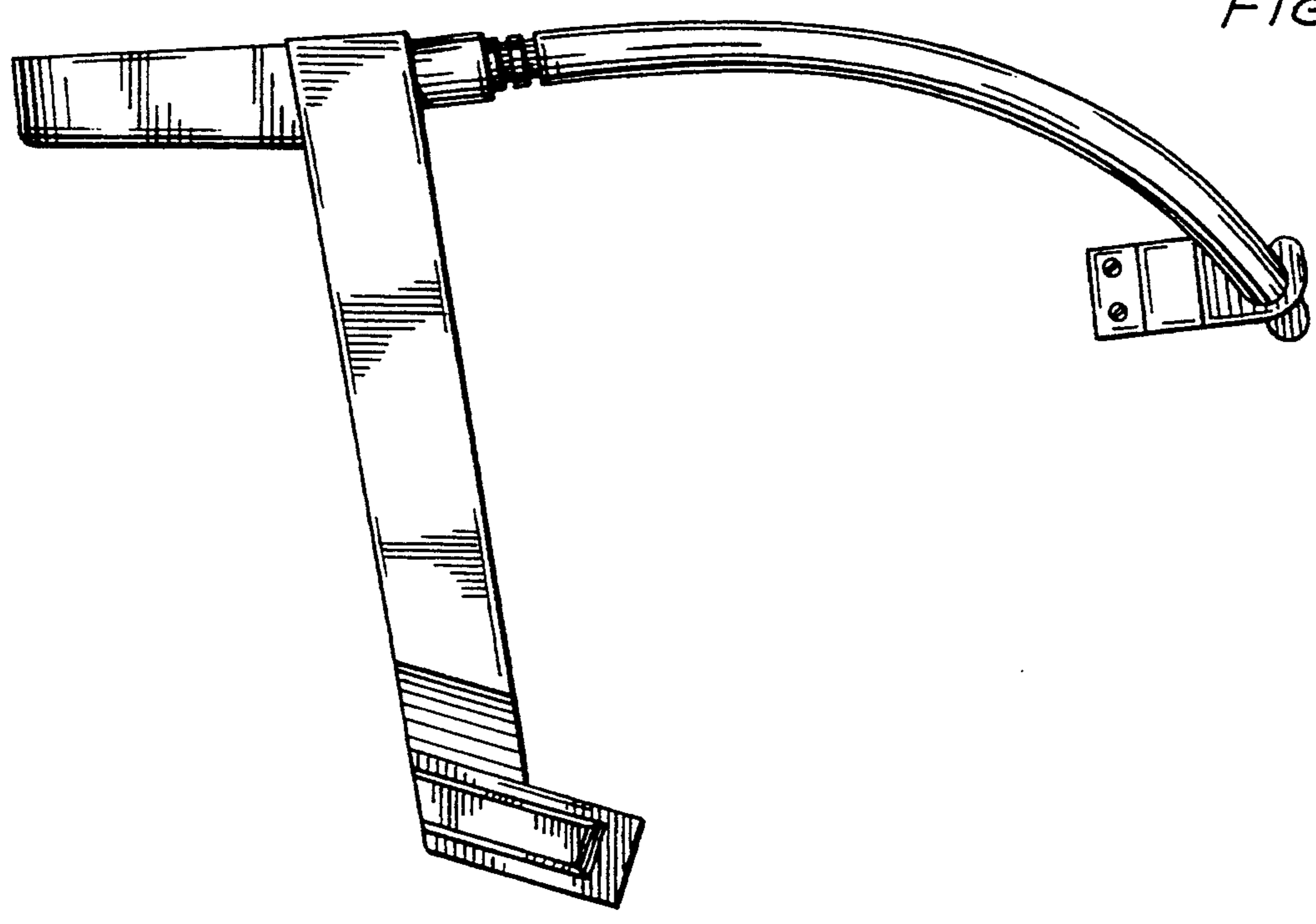


FIG. 4.

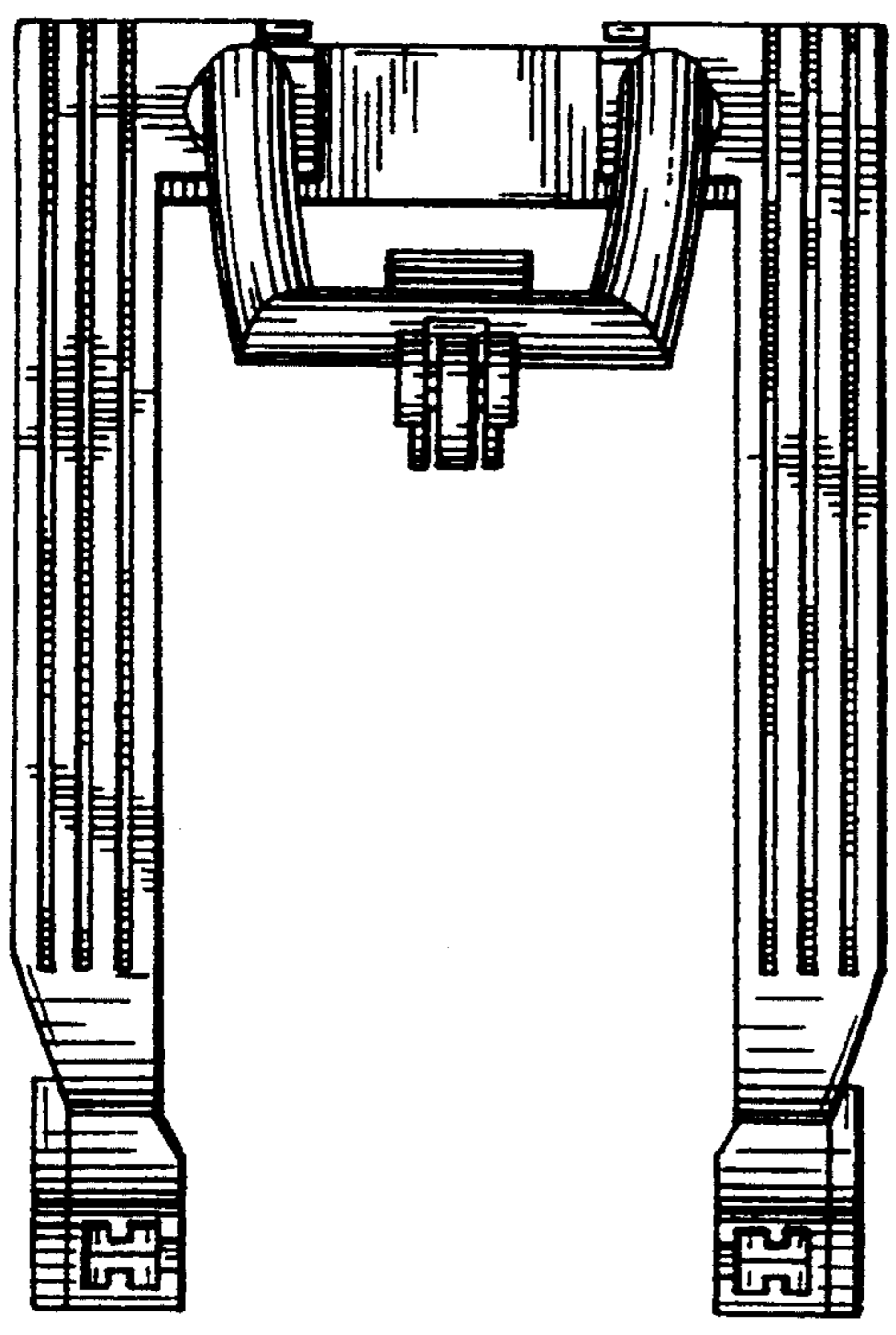


FIG. 5.

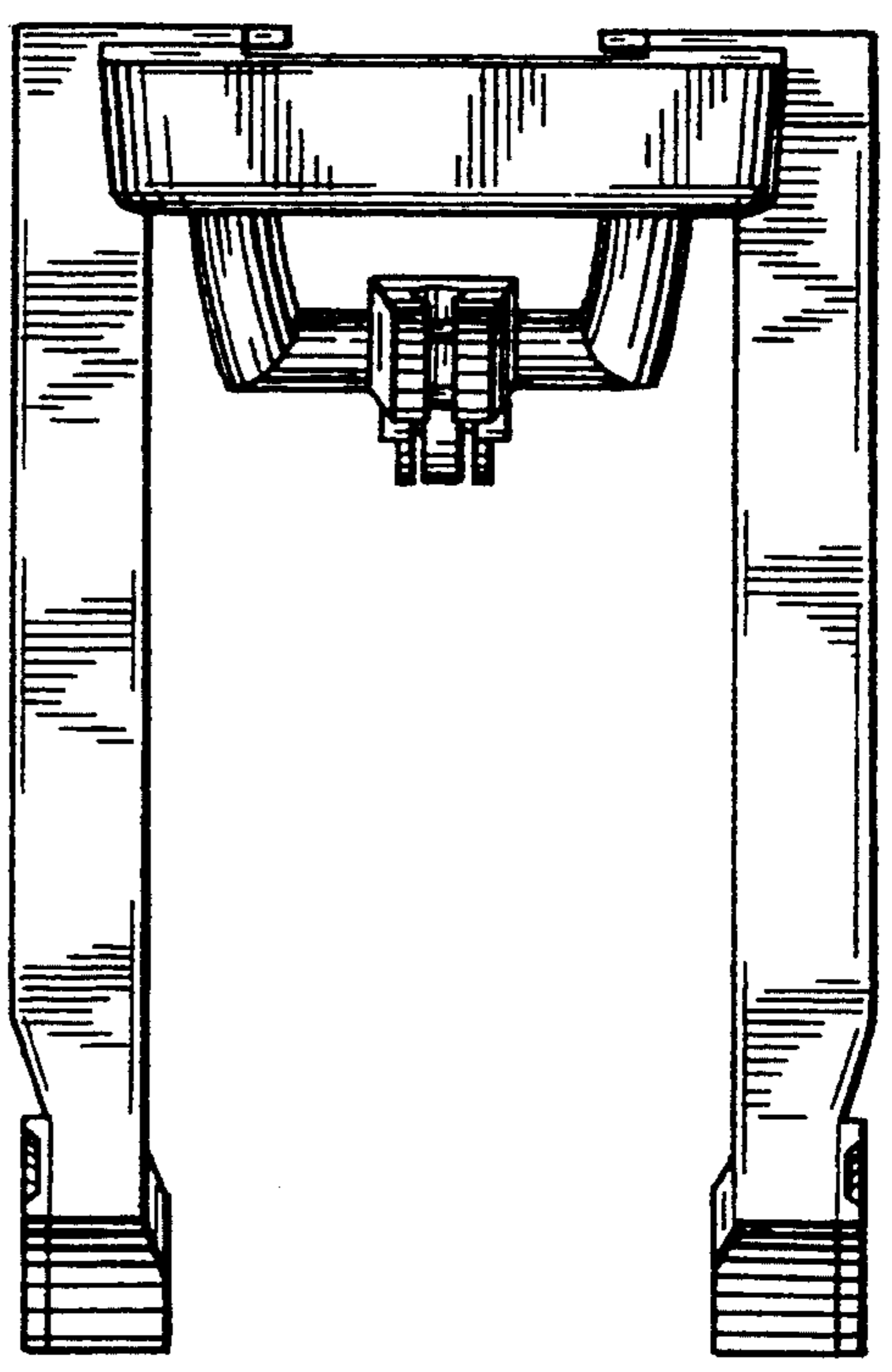


FIG. 6.

UNITED STATES PATENT AND TRADEMARK OFFICE  
**CERTIFICATE OF CORRECTION**

PATENT NO. : D353,963  
DATED : JANUARY 3, 1995  
INVENTOR(S) : WOLFRAM PETERS

It is certified that error appears in the above-identified patent and that said Letters Patent is hereby corrected as shown below:

On the title page, item [56]:  
IN THE REFERENCES CITED SECTION, under U.S. Patent Documents,  
delete "D, 299,922" and substitute therefor ---D,229,922---.

Signed and Sealed this  
Thirtieth Day of May, 1995

Attest:



BRUCE LEHMAN

Attesting Officer

Commissioner of Patents and Trademarks