



US00D353961S

# United States Patent [19]

Deluca

[11] Patent Number: Des. 353,961

[45] Date of Patent: \*\* Jan. 3, 1995

[54] **COCKTAIL TABLE**

[75] Inventor: **Hector Deluca**, Woodland Hills, Calif.

[73] Assignee: **Schnadig Corporation**, Chicago, Ill.

[\*\*] Term: **14 Years**

[21] Appl. No.: **4,409**

[22] Filed: **Feb. 4, 1993**

[52] U.S. Cl. .... **D6/484; D6/511**

[58] Field of Search ..... **D6/480-489, D6/495, 511, 450, 451, 429, 430; 108/150, 153, 156, 161**

[56] **References Cited**

**U.S. PATENT DOCUMENTS**

D. 283,864 5/1986 Bergelin ..... D6/484  
D. 291,950 9/1987 Keller ..... D6/484 X

**OTHER PUBLICATIONS**

Thomasville-Mustique, Oct.-1988, p. 7.  
Dynasty by Heritage, ©1982, p. 25 table at top.  
Thomasville-French Court May 17, 1983.  
Amer. of Martinsville-Windsor.  
Schnadig Corp. 1990 catalog page for Cathay II 6442 sofa, loveseat, and chair and Cathay #4900 table.

Schnadig Corp. 1989 catalog page for Cathay 4900 square cocktail table and rectangular cocktail table.

Schnadig Corp. 1989 catalog page for Cathay 4900 end table, square table, and sofa table.

Schnadig Corp. catalog page circa 1990 for Cathay 64406 sofa, loveseat, and chair and Cathay #4900 table.

Karpen International division of Schnadig Corporation circa 1990 catalog page for sofa, loveseat, chair, and table.

Schnadig Corp. circa 1990 catalog page for 6455 wrap-around sofa.

*Primary Examiner*—Janice E. Seeger

[57] **CLAIM**

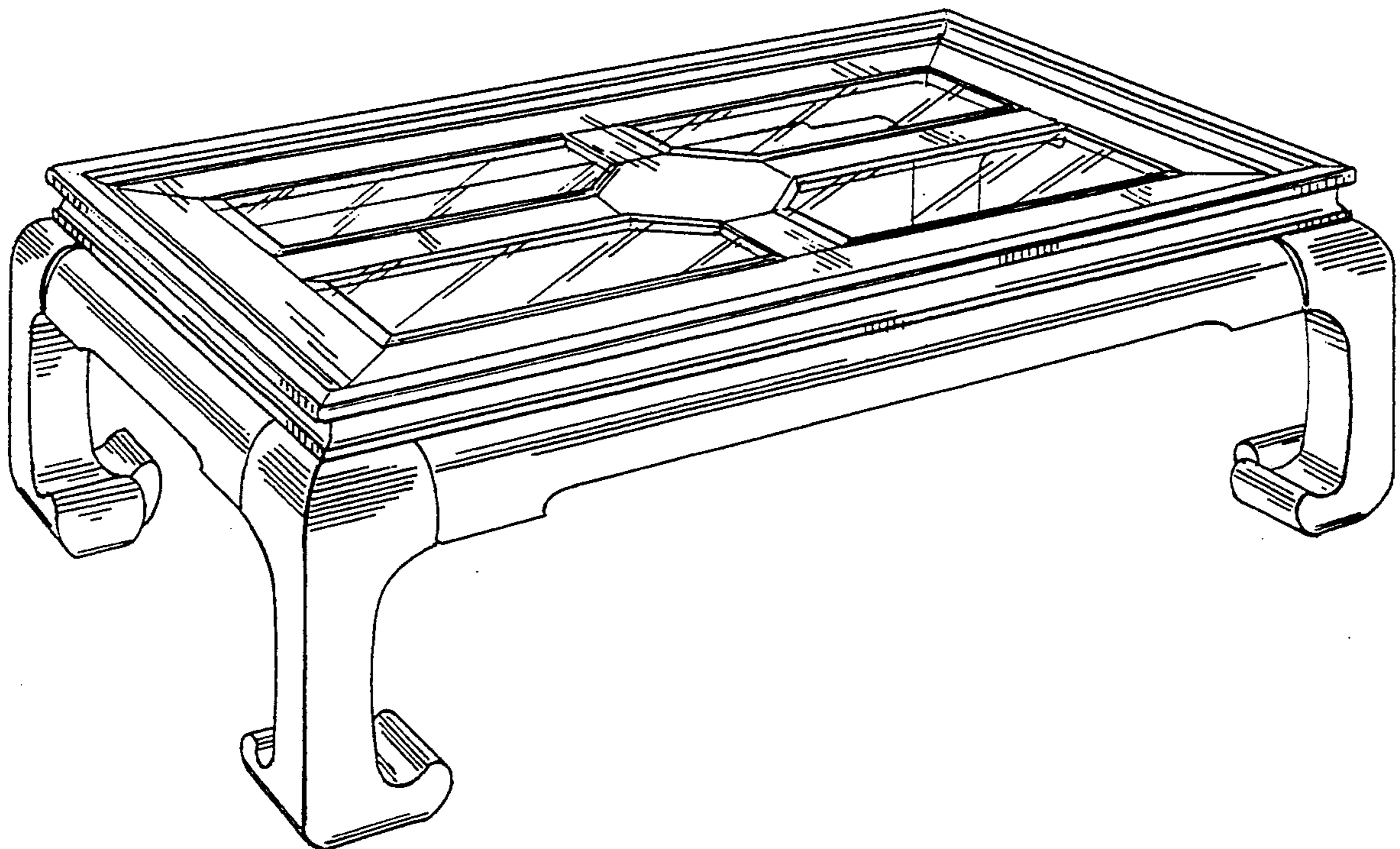
The ornamental design for a cocktail table, as shown and described.

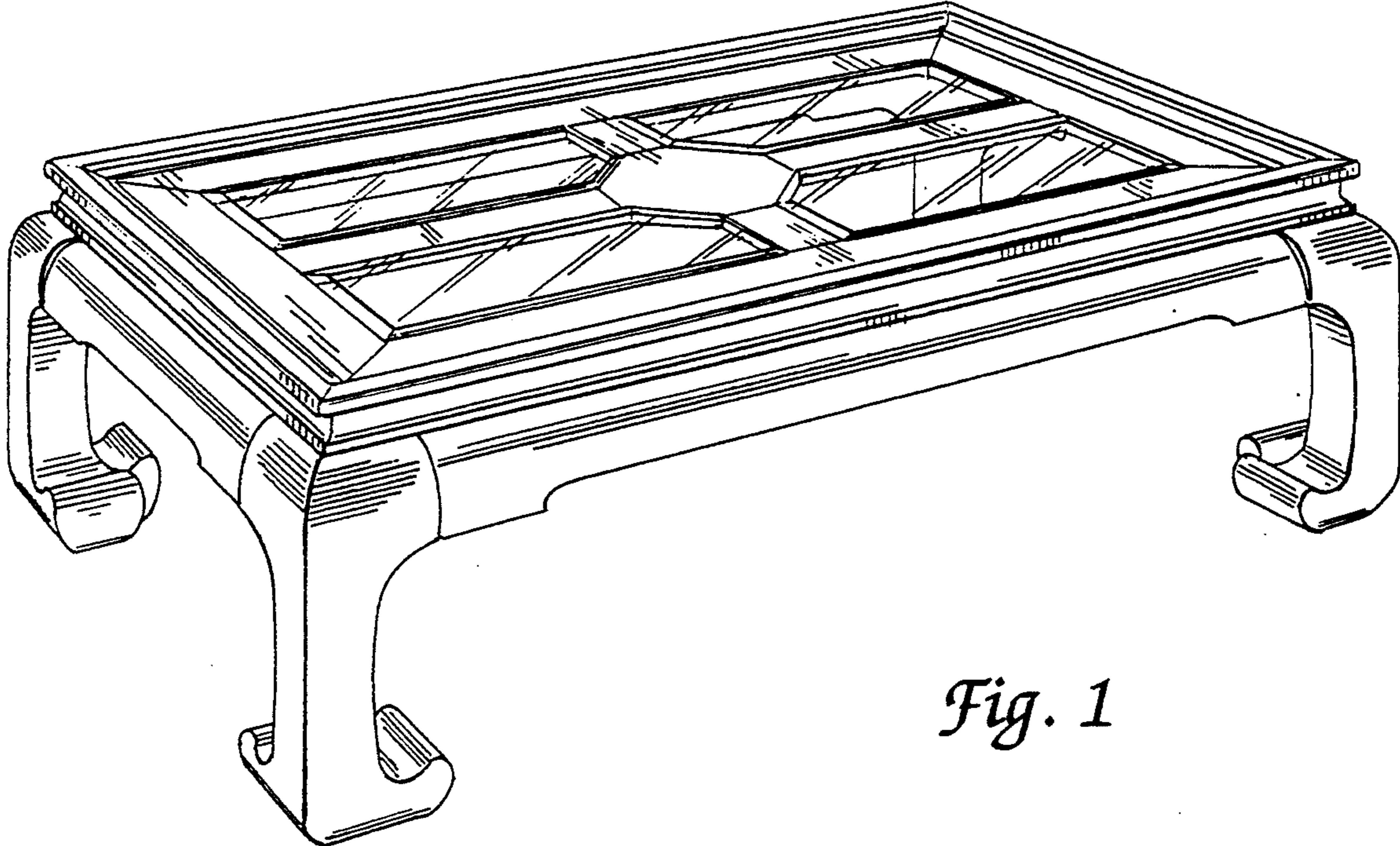
**DESCRIPTION**

FIG. 1 is a perspective view of the cocktail table; FIG. 2 is a front elevational view of the cocktail table, the rear elevational view being a mirror image thereof; FIG. 3 is a right side elevational view of the cocktail table, the left side elevational view being a mirror image thereof;

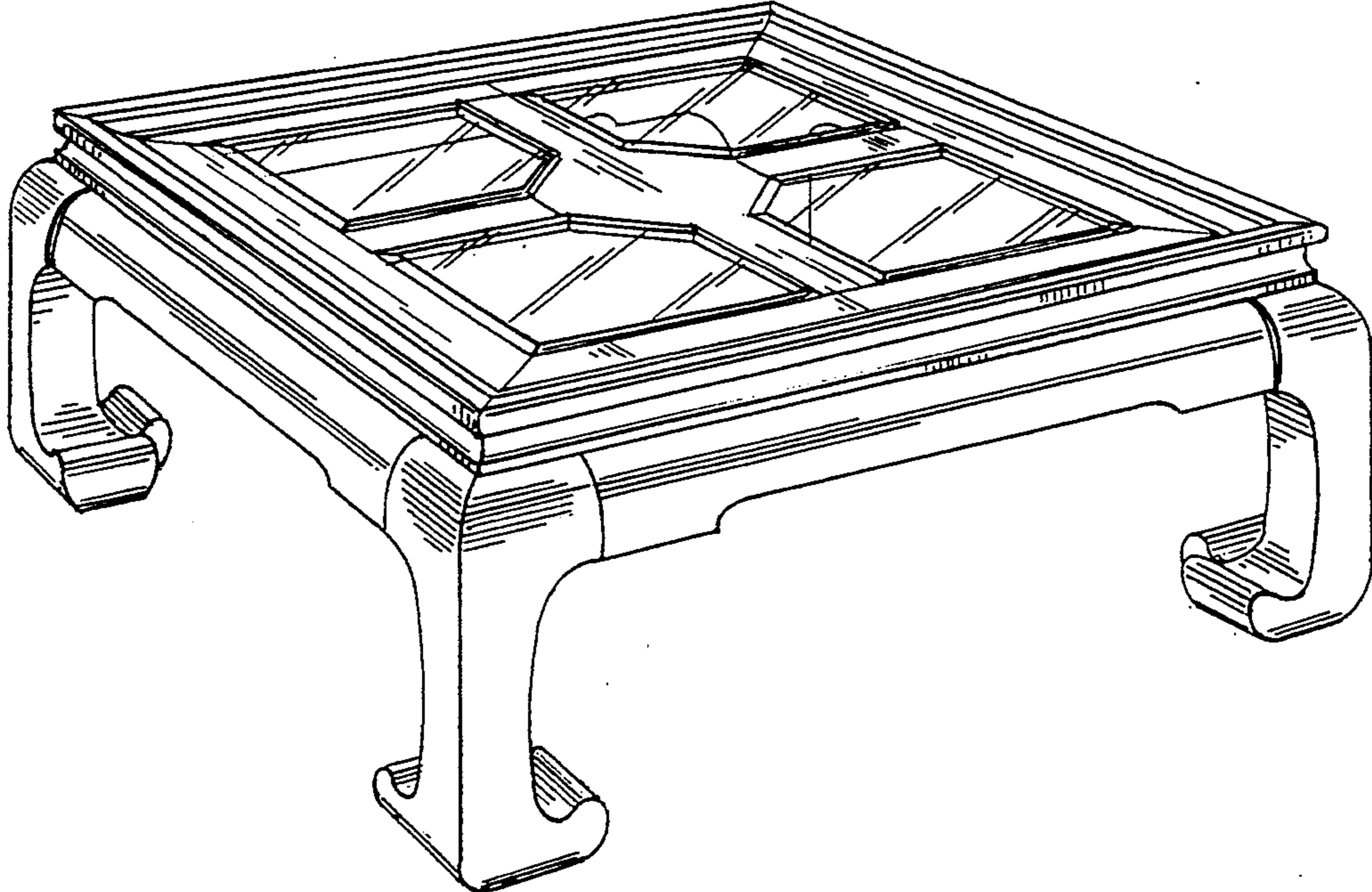
FIG. 4 is a top plan view of the cocktail table; and, FIG. 5 is a perspective view of a modified form of the cocktail table.

The characteristic feature of the design resides in the particular appearance of the table top.



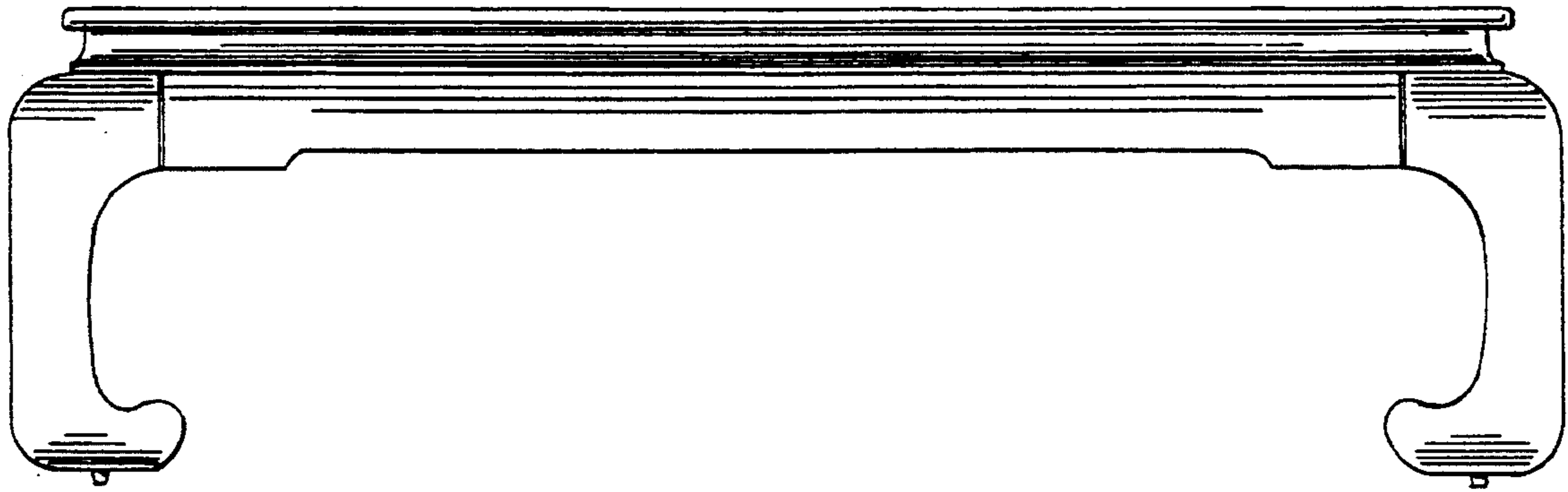


*Fig. 1*

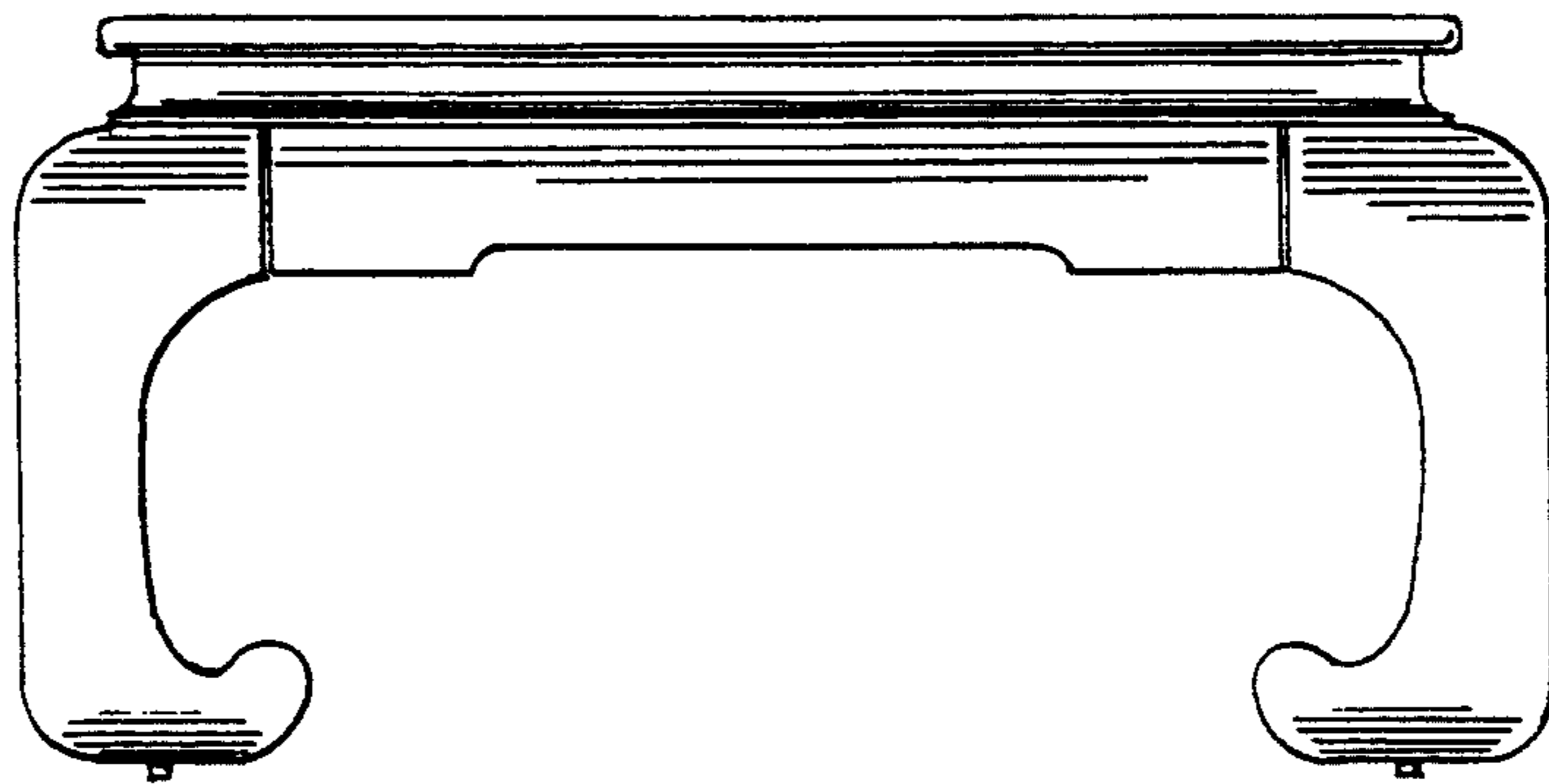


*Fig. 5*

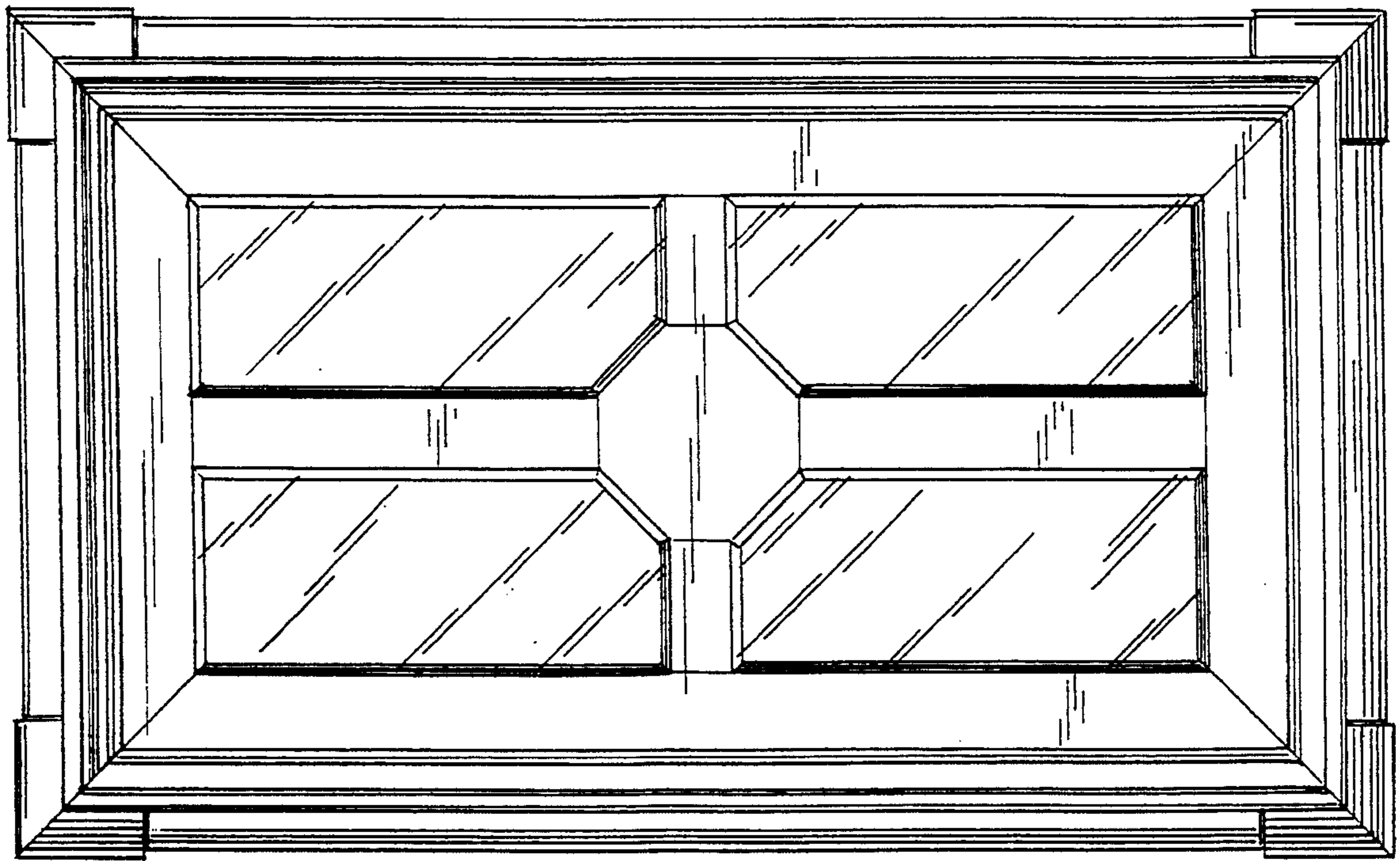




*Fig. 2*



*Fig. 3*



*Fig. 4*