



US00D353959S

# United States Patent [19]

[11] Patent Number: **Des. 353,959**

**Kovacevic**

[45] Date of Patent: **\*\* Jan. 3, 1995**

- [54] **MULTIPLE TABLE UNIT**
- [75] Inventor: **Nebojsa Kovacevic**, Plymouth, Minn.
- [73] Assignee: **N.K. Biotechnical Engineering Company**, Minneapolis, Minn.
- [\*\*] Term: **14 Years**
- [21] Appl. No.: **954,755**
- [22] Filed: **Sep. 30, 1992**
- [52] U.S. Cl. .... **D6/482; D6/423; D6/430; D6/484**
- [58] Field of Search ..... **D6/480, 482-489, D6/429, 422, 423, 430, 431, 495, 497; 108/153, 156, 161**

- D. 323,260 1/1992 Lewis ..... D6/484 X
- D. 335,590 5/1993 Newhouse ..... D6/484 X
- D. 338,577 8/1993 Vonhausen ..... D6/484

### OTHER PUBLICATIONS

- Domus*, Dec. 1990, desk at bottom left corner.
- Domus*, Dec., 1990, bottom of page.
- Domus*, Dec. 1987, p. 131a, table in center.

*Primary Examiner*—Janice E. Seeger  
*Attorney, Agent, or Firm*—Westman, Champlin & Kelly

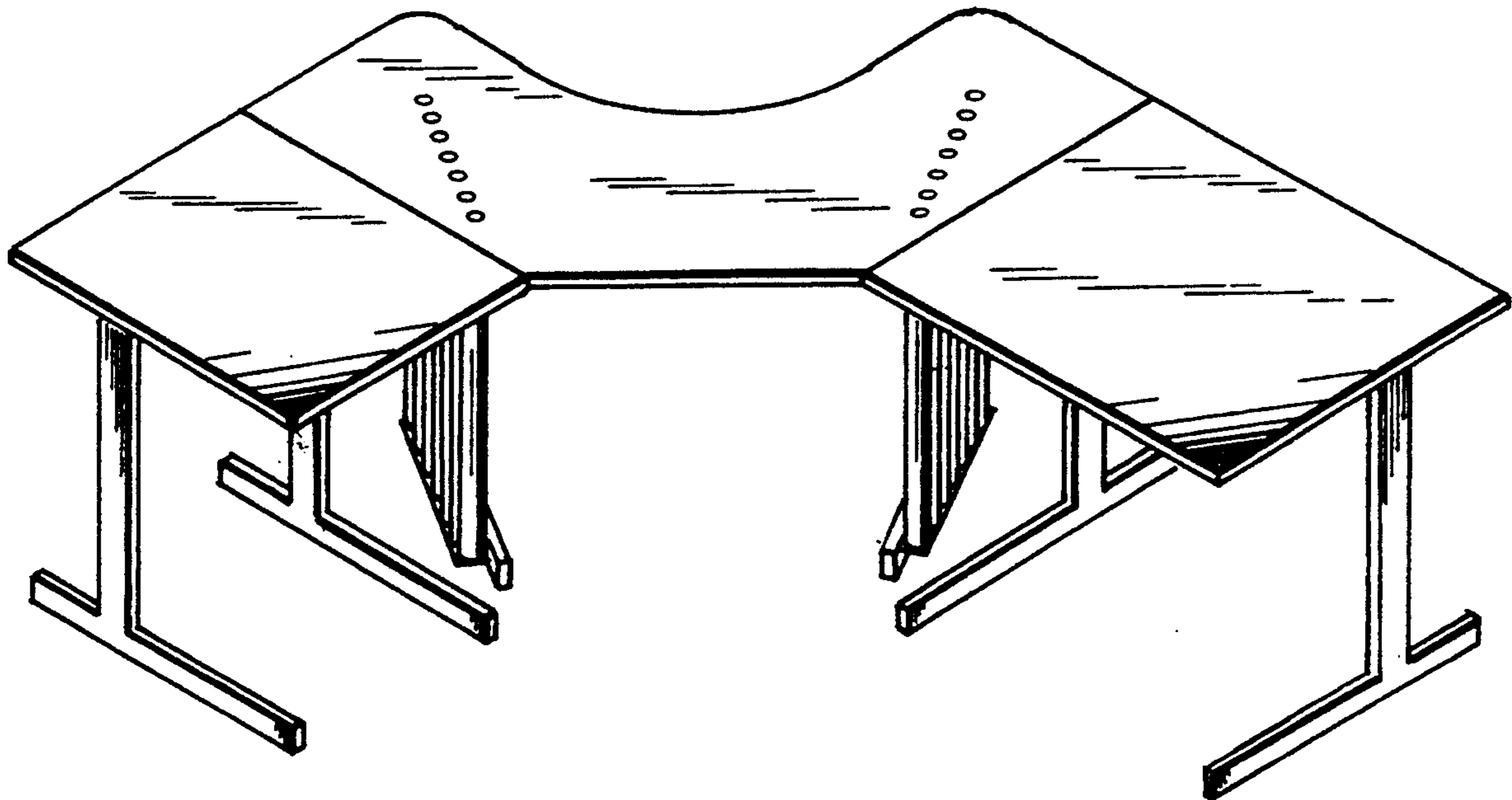
### [57] CLAIM

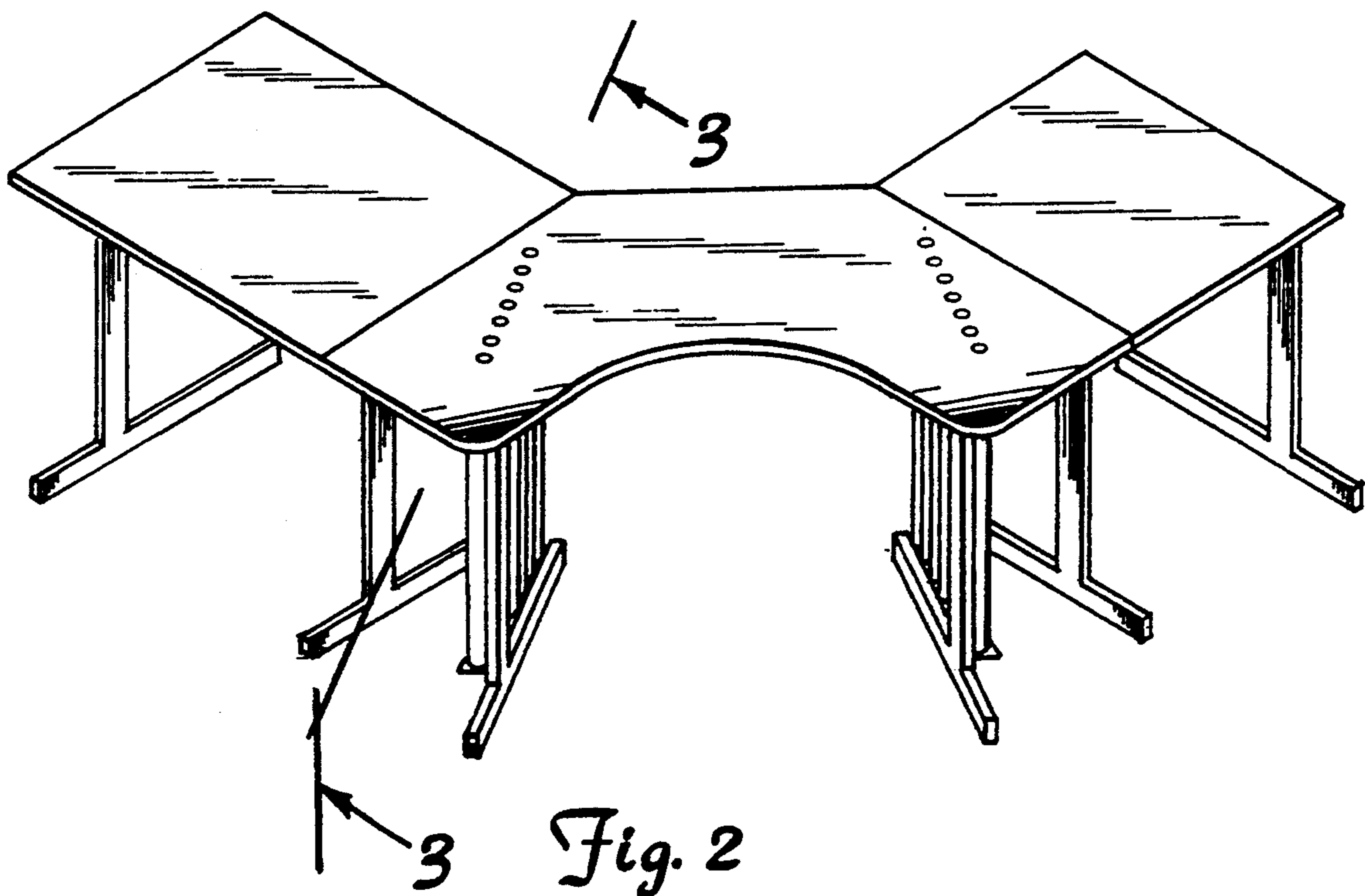
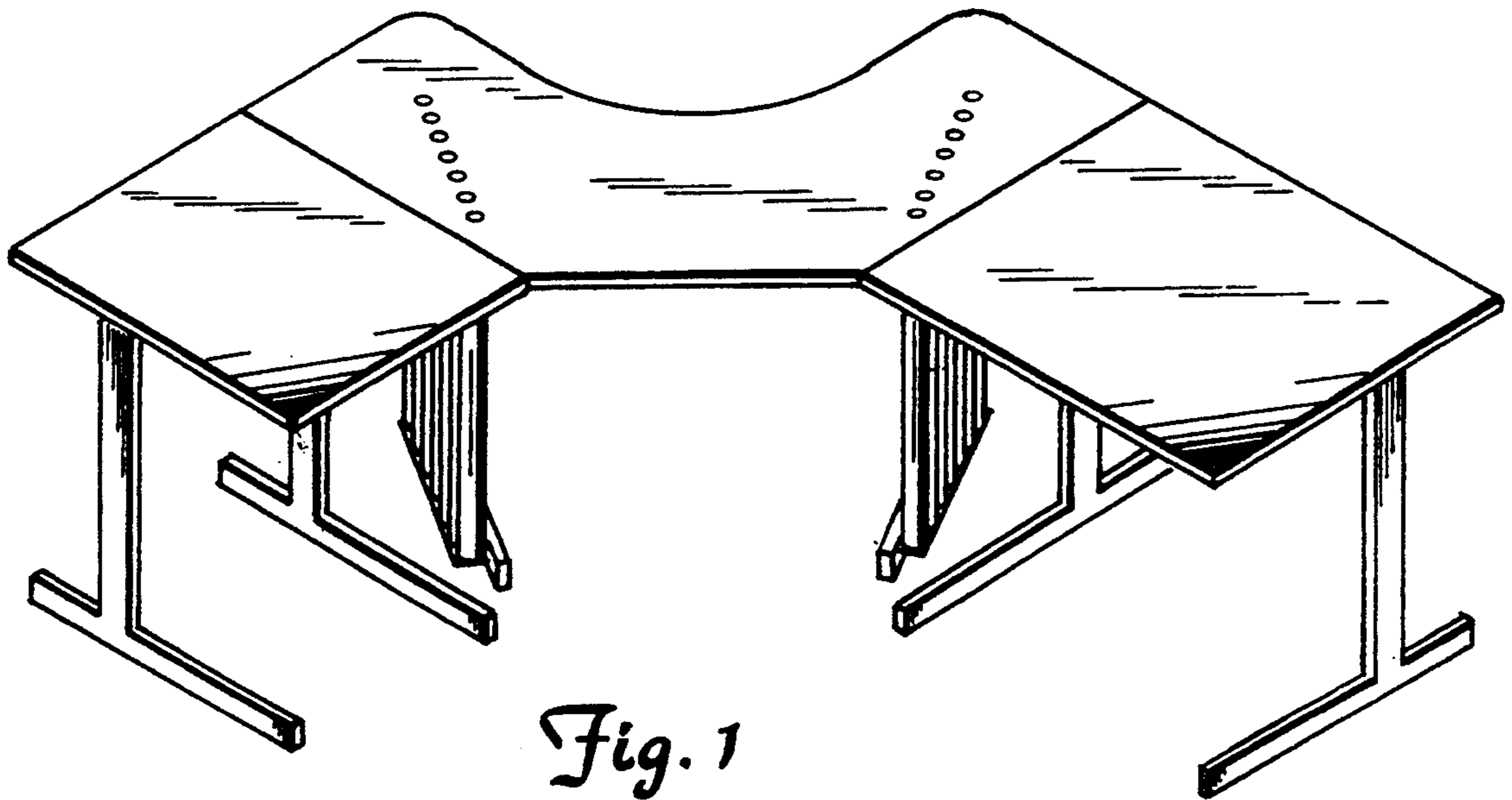
The ornamental design for a multiple table unit, as shown and described.

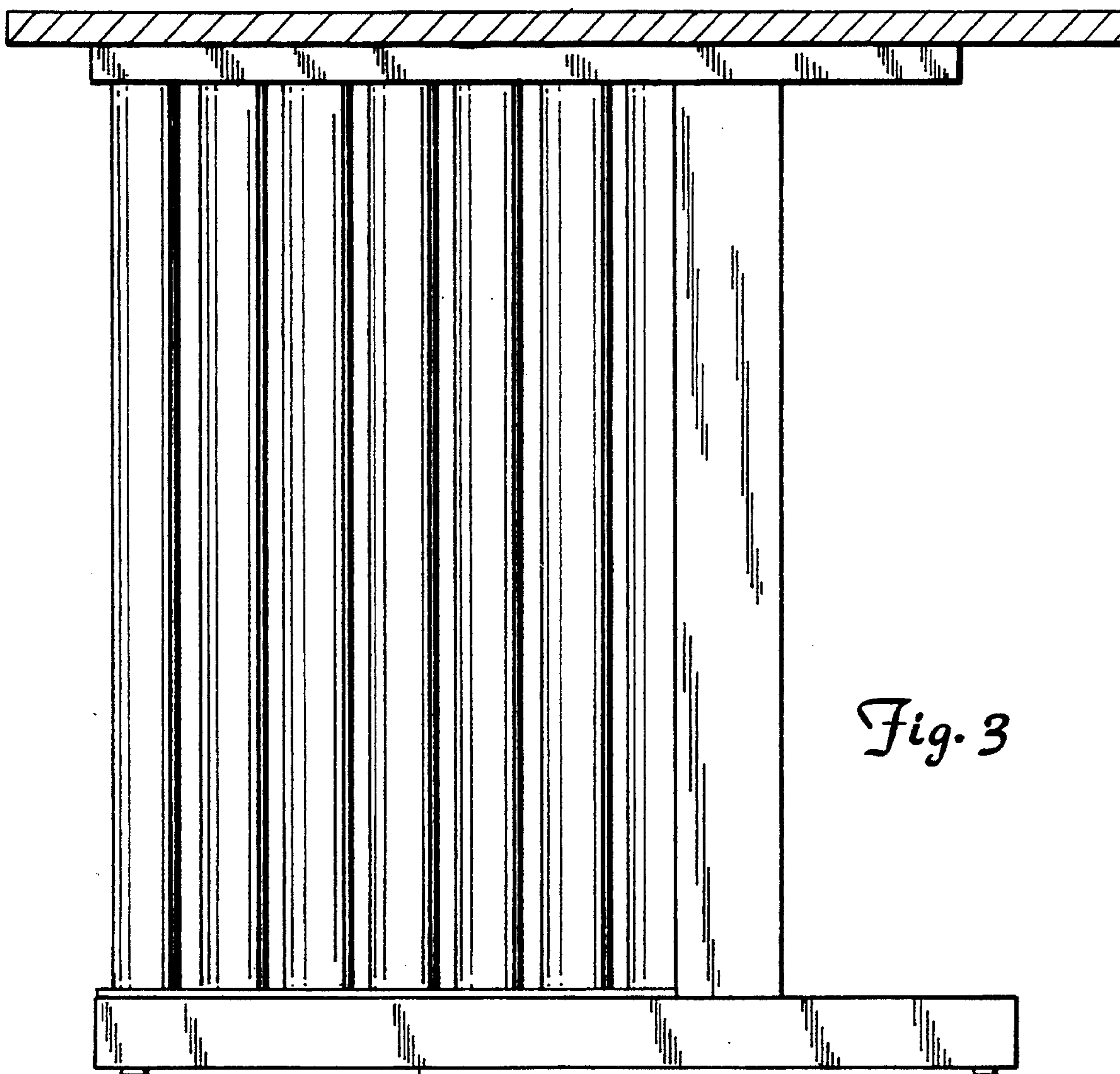
### DESCRIPTION

FIG. 1 is a rear perspective view of a multiple table unit showing my new design; FIG. 2 is a front perspective view thereof; and, FIG. 3 is a sectional view thereof taken along the line 3—3 of FIG. 2.

- [56] **References Cited**
- U.S. PATENT DOCUMENTS**
- D. 263,530 3/1982 Liljequist ..... D6/483
- D. 290,197 6/1987 Hoffman et al. .... D6/422
- D. 320,709 10/1991 Lotsch et al. .... D6/484 X







*Fig. 3*