



US00D353956S

**United States Patent** [19]  
**Schmidt**

[11] **Patent Number: Des. 353,956**

[45] **Date of Patent: \*\* Jan. 3, 1995**

[54] **REMOTE CONTROL HOLDER**

[76] **Inventor: Klaus N. Schmidt, 525 N. Airlite, Elgin, Ill. 60123**

[\*\*] **Term: 14 Years**

[21] **Appl. No.: 12,664**

[22] **Filed: Sep. 3, 1993**

[52] **U.S. Cl. .... D6/449**

[58] **Field of Search ..... D6/449, 450, 451, 467, D6/466, 475; D19/75; 211/40, 41, 42**

[56] **References Cited**

**U.S. PATENT DOCUMENTS**

D. 86,790	4/1932	Levkoff .....	D6/475
D. 147,591	9/1947	Kramer .....	211/49.1 X
D. 158,444	5/1950	Converse .....	D19/92 X
D. 250,240	11/1978	Braginetz .....	D6/475
D. 250,241	11/1978	Braginetz .....	D6/475
D. 320,027	9/1991	Mintz et al. ....	D6/466
D. 329,558	9/1992	Keown .....	D6/475 X
2,889,036	6/1959	Davies .....	248/441.1 X
3,272,183	9/1966	Craighead et al. ....	298/441.1 X

*Primary Examiner*—Alan P. Douglas

*Assistant Examiner*—S. Snapp

*Attorney, Agent, or Firm*—Mathew R. P. Perrone, Jr.

[57] **CLAIM**

The ornamental design for a remote control holder, as shown and described.

**DESCRIPTION**

FIG. 1 depicts a front perspective view of a remote

control holder showing the first embodiment of my new design;

FIG. 2 depicts a front plan view of a remote control holder showing the first embodiment of my new design;

FIG. 3 depicts a rear plan view of a remote control holder showing the first embodiment of my new design which is a reverse view of FIG. 2;

FIG. 4 depicts a side view of a remote control holder showing the first embodiment of my new design;

FIG. 5 depicts a side view of a remote control holder showing the first embodiment of my new design;

FIG. 6 depicts a bottom plan view of a remote control holder showing the first embodiment of my new design;

FIG. 7 depicts a bottom plan view of a remote control holder showing the first embodiment of my new design;

FIG. 8 depicts a front perspective view of a remote control holder showing the second embodiment of my new design;

FIG. 9 depicts a front plan view of a remote control holder showing the second embodiment of my new design;

FIG. 10 depicts a rear plan view of a remote control holder showing the second embodiment of my new design;

FIG. 11 depicts a side view of a remote control holder showing the second embodiment of my new design;

FIG. 12 depicts a side view of a remote control holder showing the second embodiment of my new design;

FIG. 13 depicts a bottom plan view of a remote control holder showing the second embodiment of my new design; and,

FIG. 14 depicts a bottom plan view of a remote control holder showing the second embodiment of my new design.

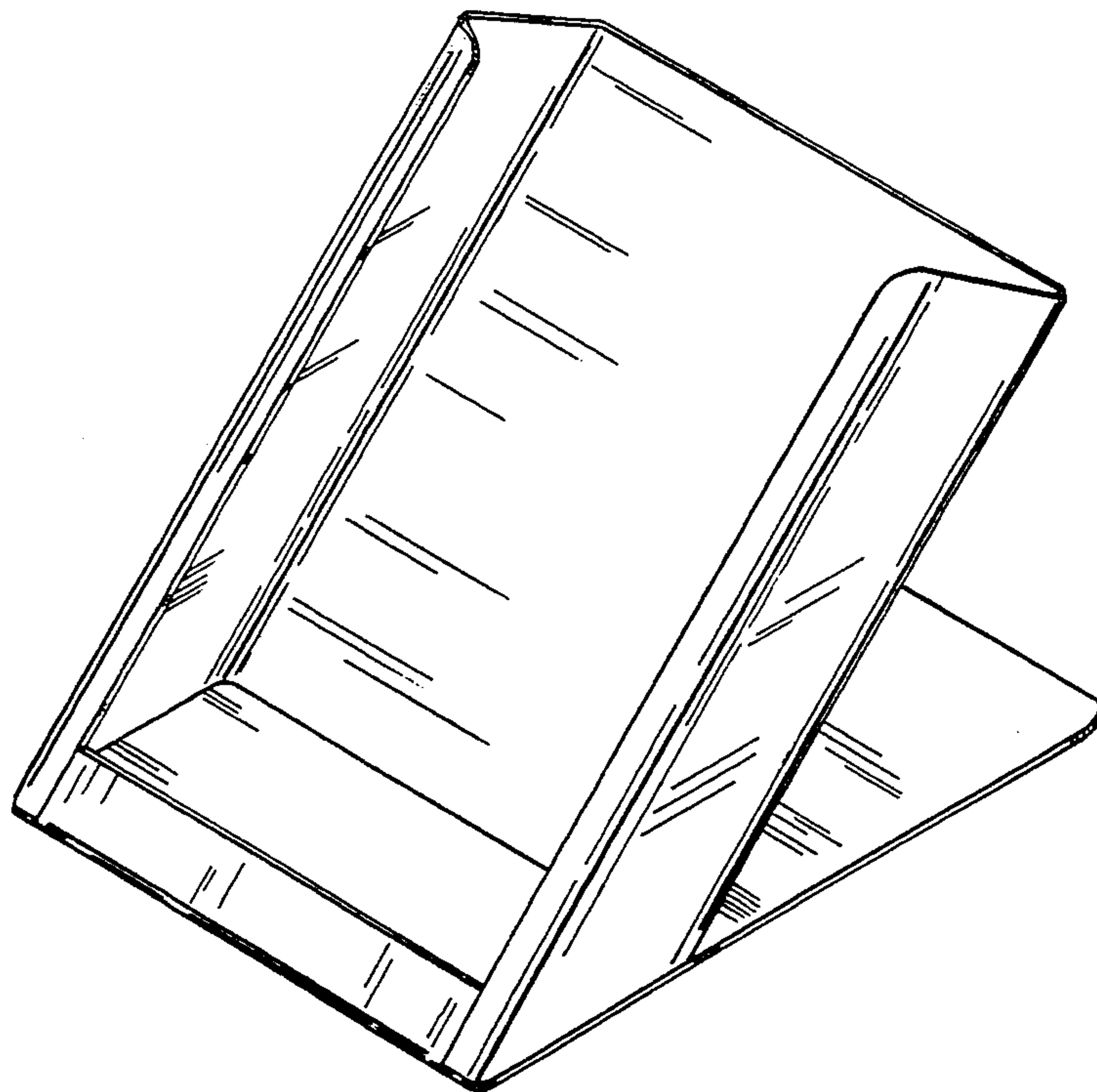


FIG. 1

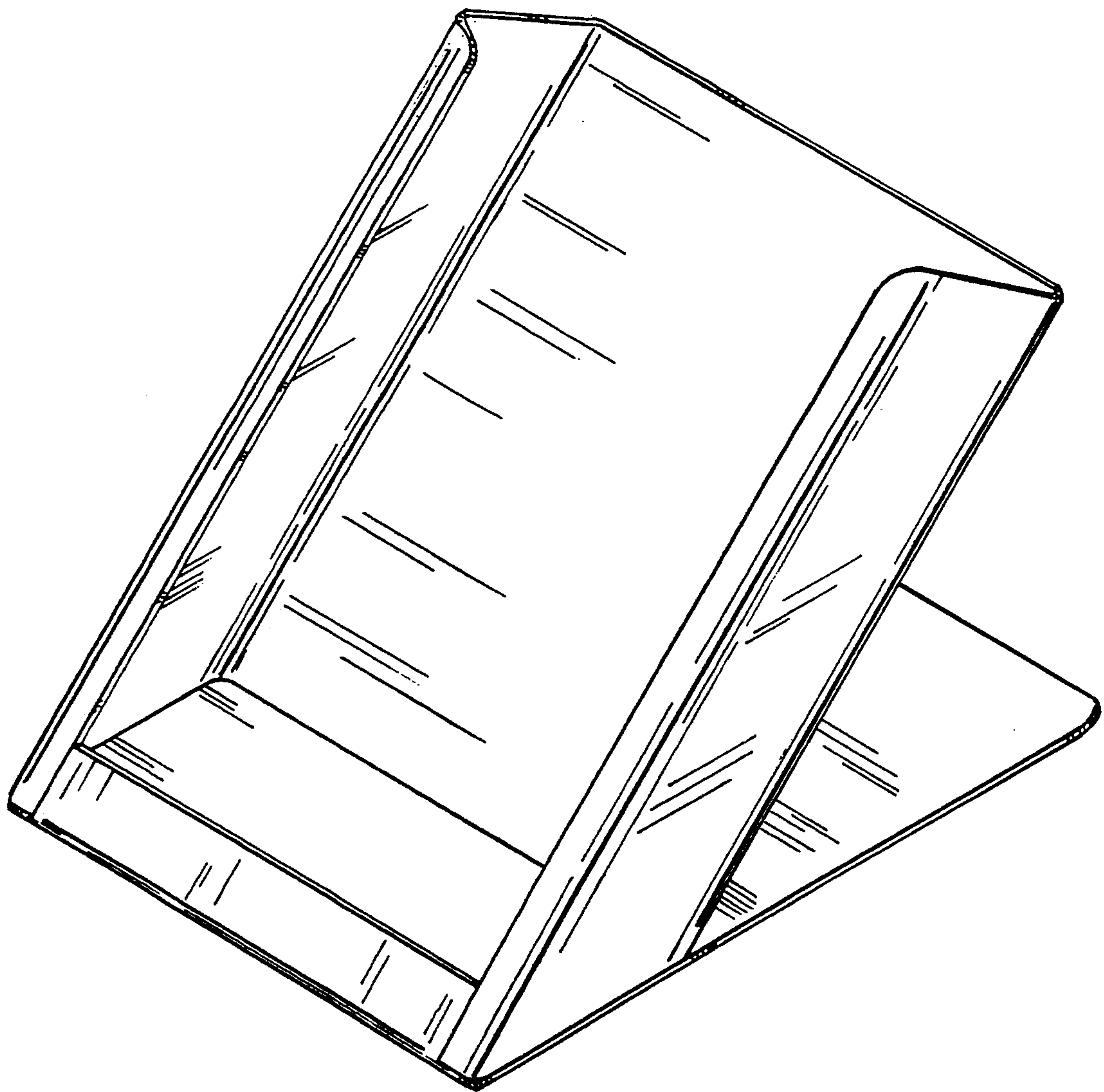


FIG. 2

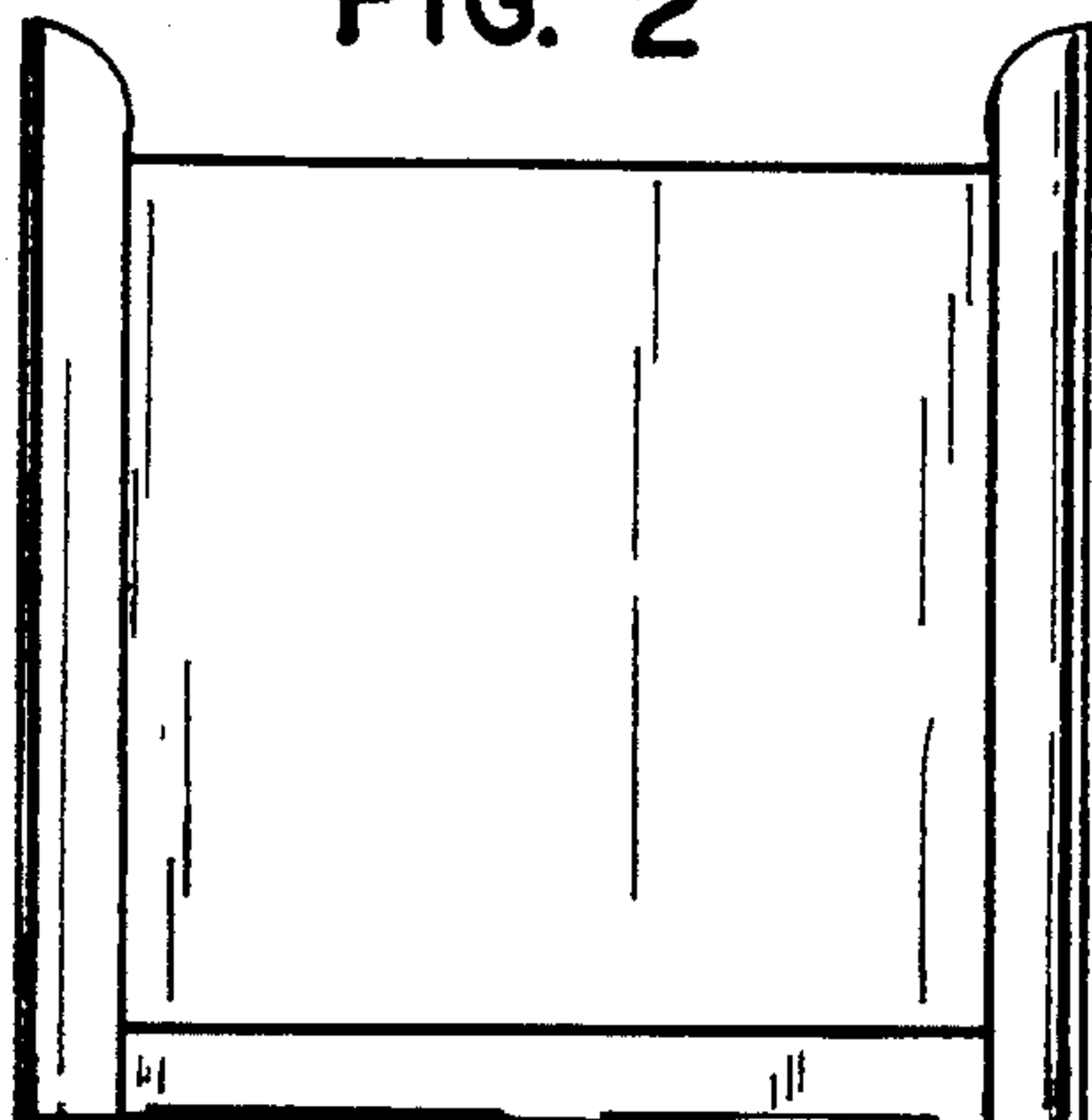


FIG. 3

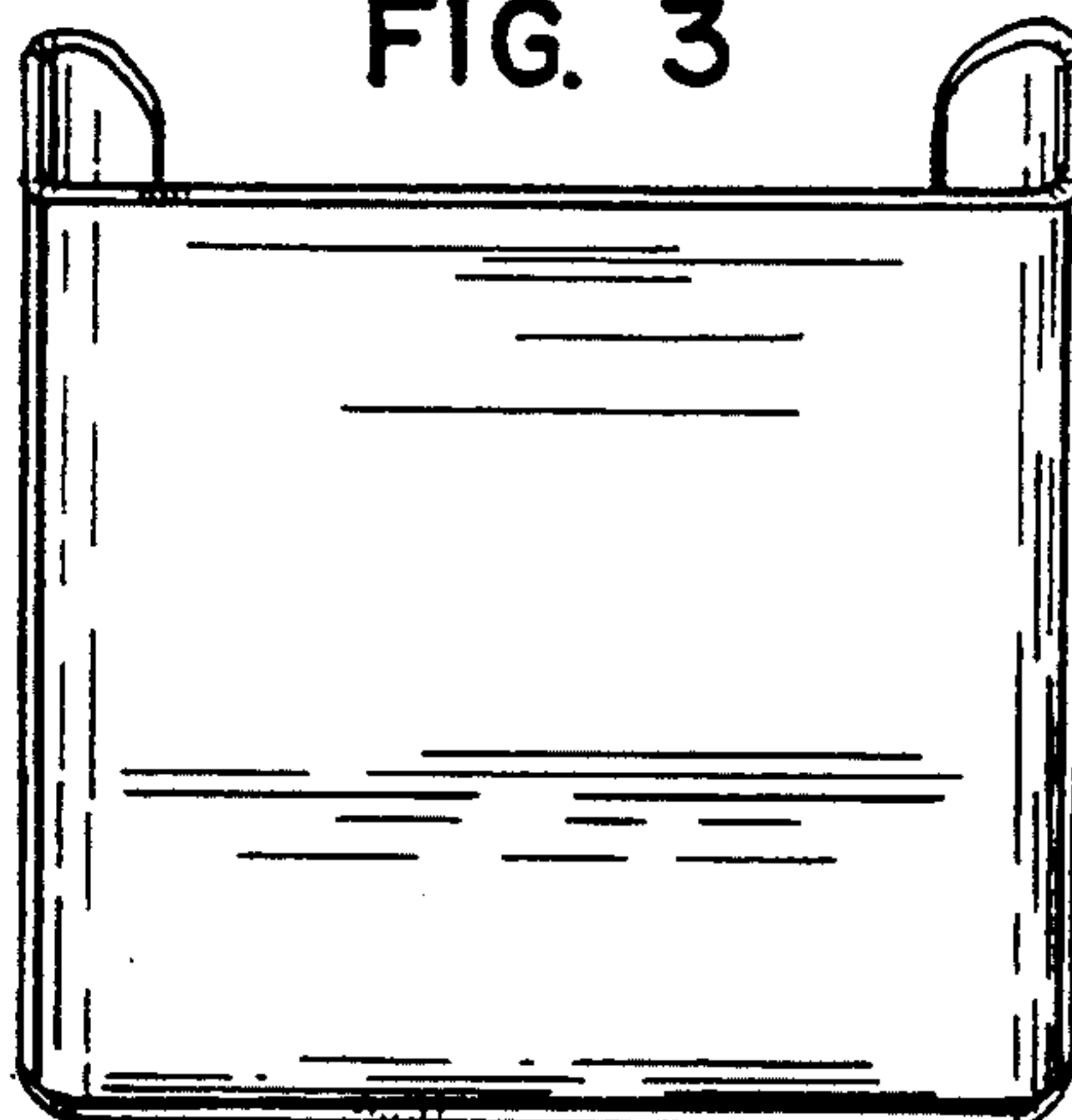


FIG. 4

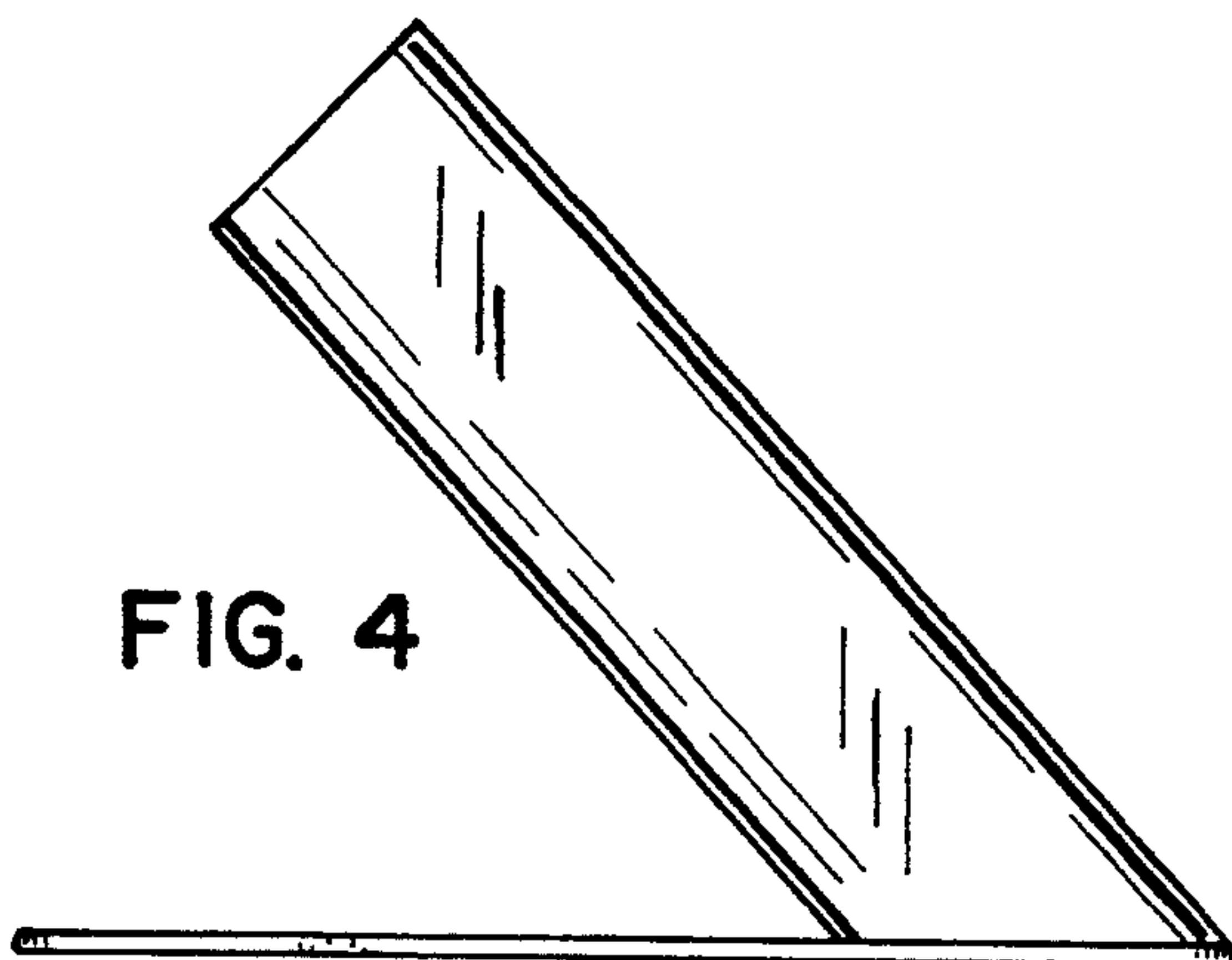


FIG. 5

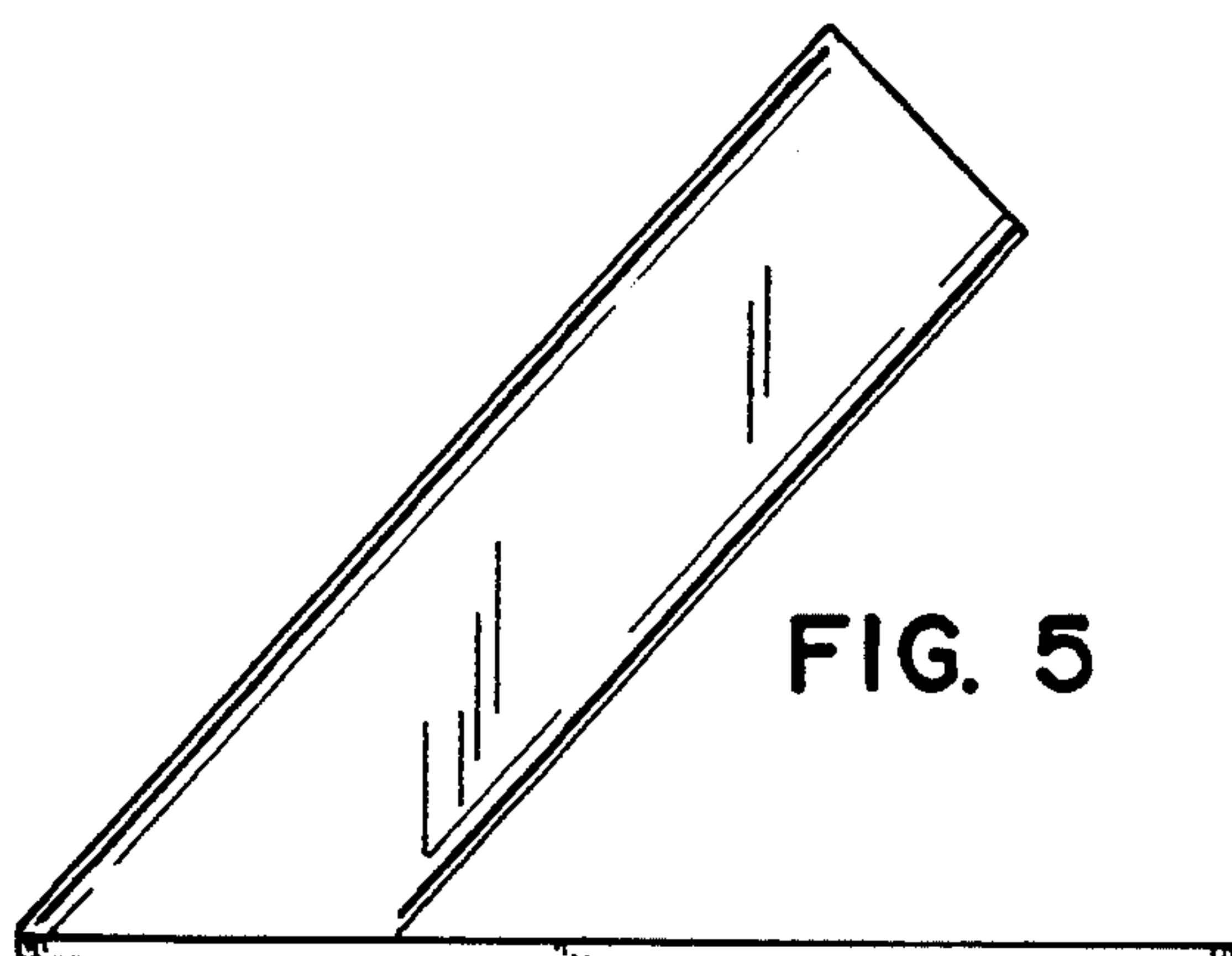


FIG. 6

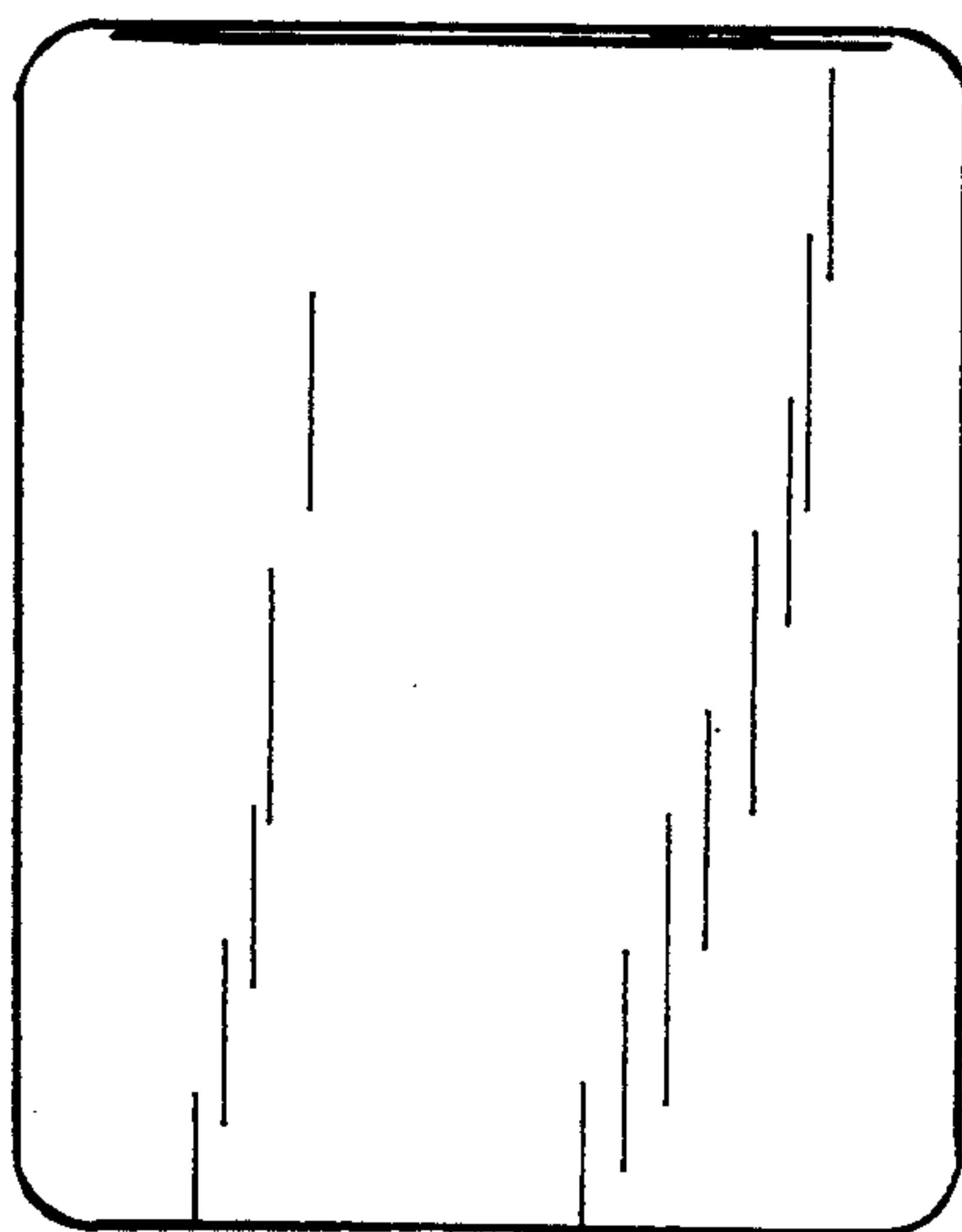
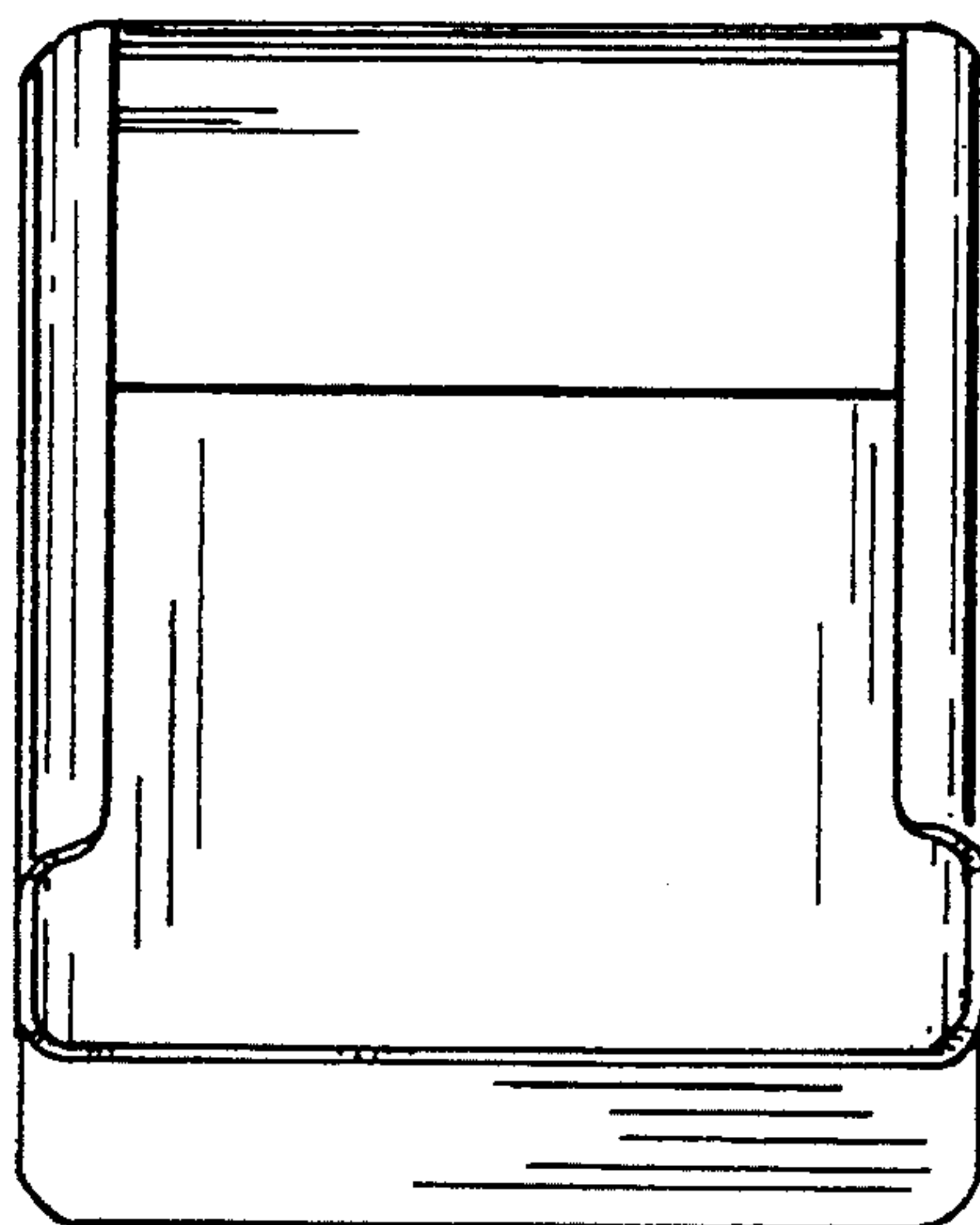


FIG. 7





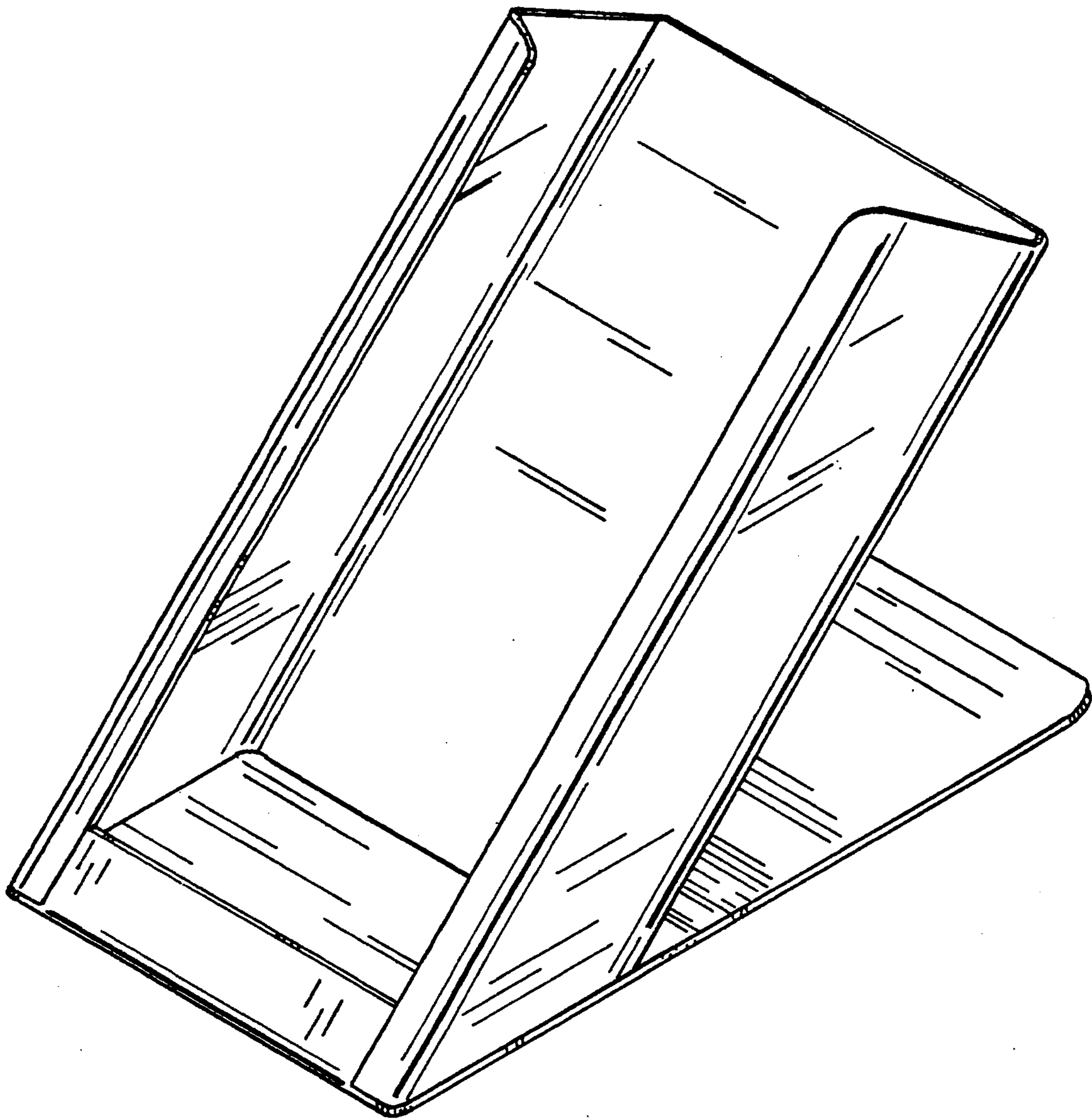


FIG. 8

