



US00D353947S

United States Patent [19]

[11] Patent Number: **Des. 353,947**

Gain

[45] Date of Patent: **** Jan. 3, 1995**

[54] **DUAL CHILD RESTRAINT SEAT**

[76] Inventor: **Robert L. Gain**, 1701 Rocksprings Dr., Apt. 2138, Las Vegas, Nev. 89128

[**] Term: **14 Years**

[21] Appl. No.: **828,461**

[22] Filed: **Jan. 30, 1992**

[52] U.S. Cl. **D6/333**

[58] Field of Search **D6/331, 333, 339, 390-392; 297/232, 237, 238, 250, 253, 254; D12/129**

4,632,456 12/1986 Kassai 297/328
 4,632,460 12/1986 Meeker et al. 297/467
 4,786,064 11/1988 Baghdasarian 280/30
 4,799,736 1/1989 Kassai 297/440
 4,979,777 12/1990 Takada 297/250

OTHER PUBLICATIONS

Best Catalog, p. 383, item #10 at center top.

Primary Examiner—Janice E. Seeger

Attorney, Agent, or Firm—John Edward Roethel

[57] CLAIM

The ornamental design for a dual child restraining seat, as shown and described.

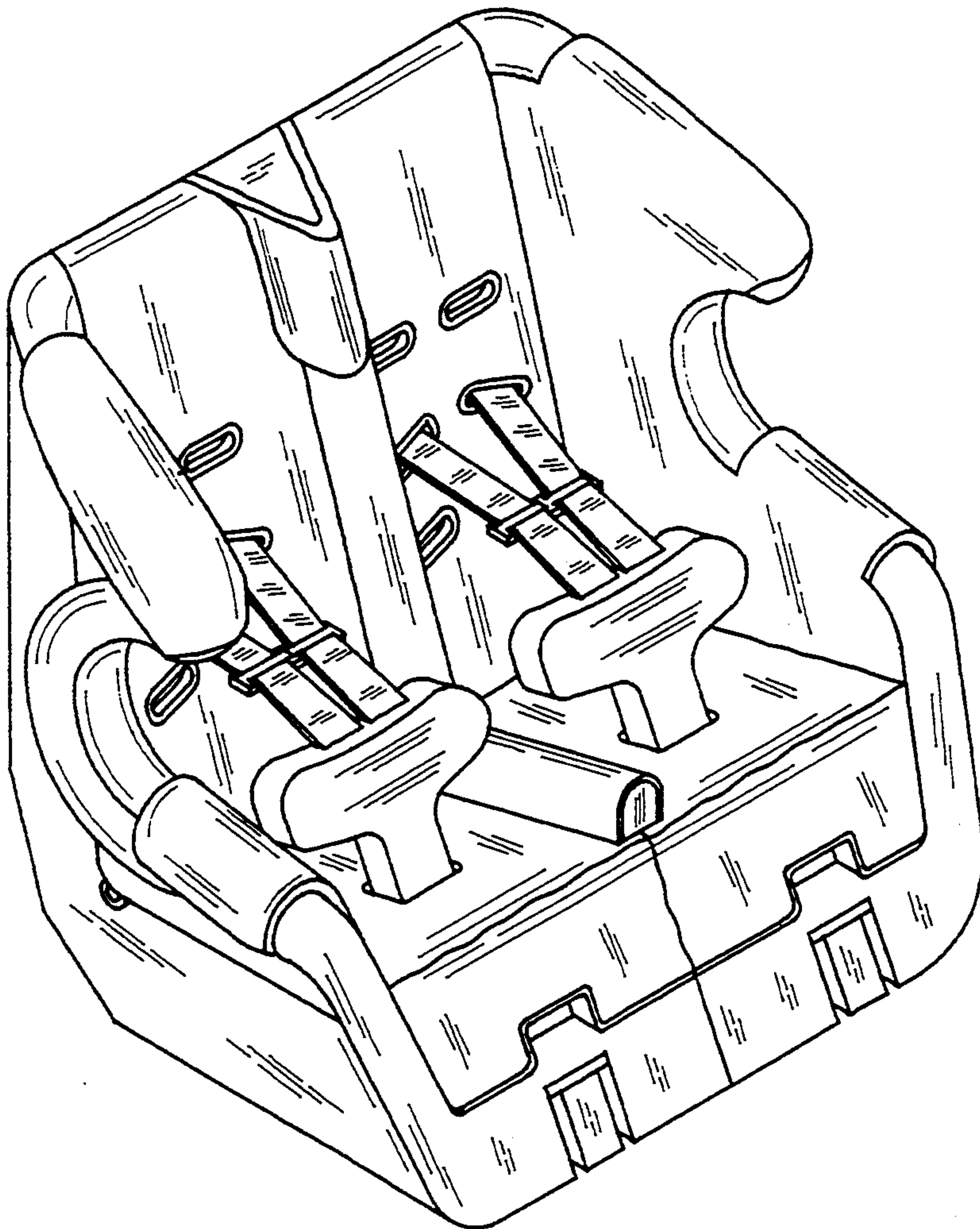
[56] References Cited

U.S. PATENT DOCUMENTS

D. 208,464	9/1967	Walker et al.	D6/333
D. 286,470	11/1986	Takada	D6/333
D. 290,429	6/1987	Lemmeyer	D6/333
D. 306,099	2/1990	Kassai	D6/333
D. 311,281	10/1990	Meeker	D6/333
D. 333,923	3/1993	Dainty	D6/333
1,105,822	8/1914	Murphy .	
1,707,186	3/1929	Chatfield .	
2,420,088	5/1947	Milburn	280/47

DESCRIPTION

FIG. 1 is a front view of the dual child restraint seat;
 FIG. 2 is a rear view of FIG. 1;
 FIG. 3 is a right side view of FIG. 1 with the left side view being a mirror image of the right side;
 FIG. 4 is a bottom view of FIG. 1;
 FIG. 5 is a top view of FIG. 1; and,
 FIG. 6 is an isometric view of the dual child restraint seat.



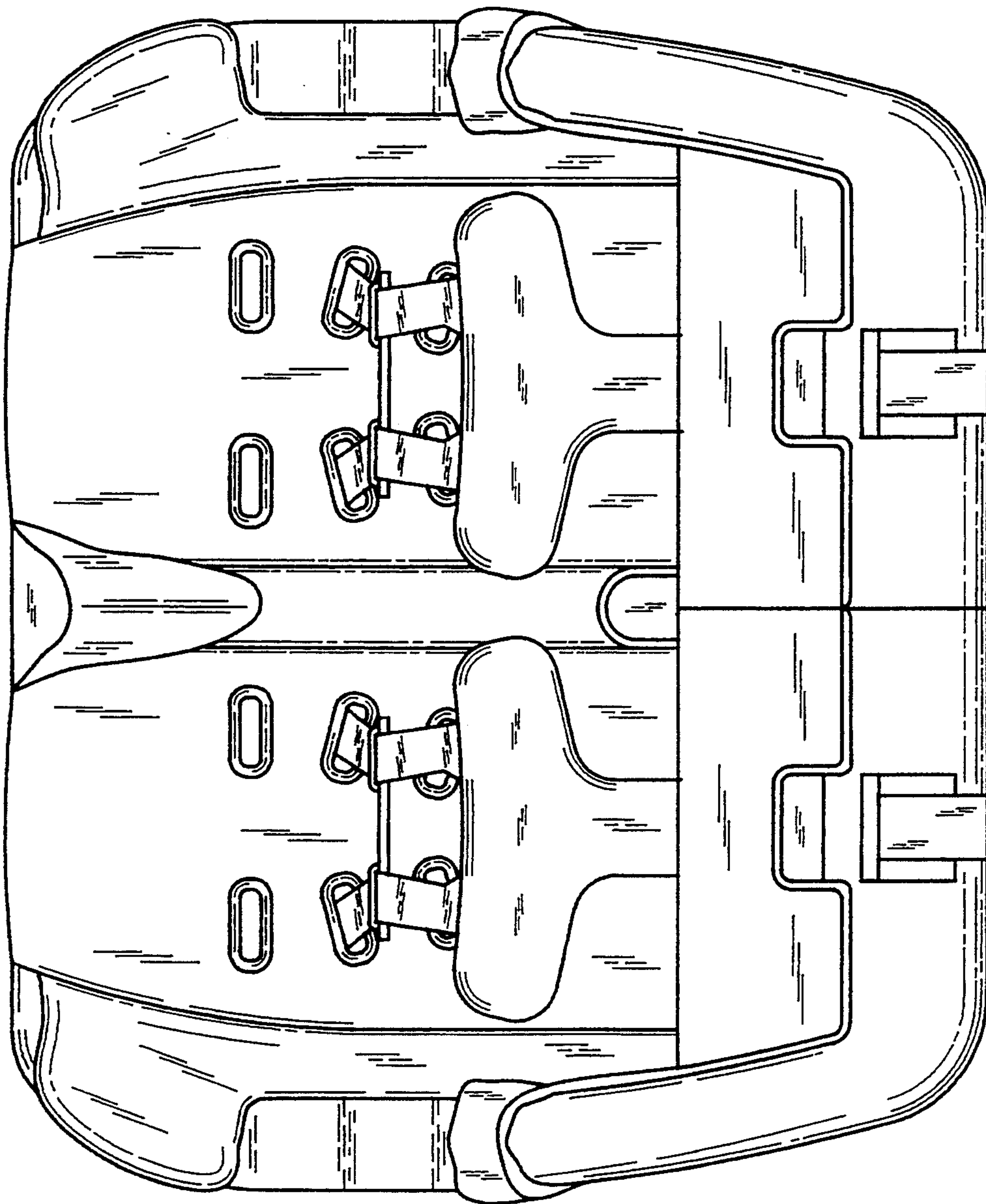


FIG-1

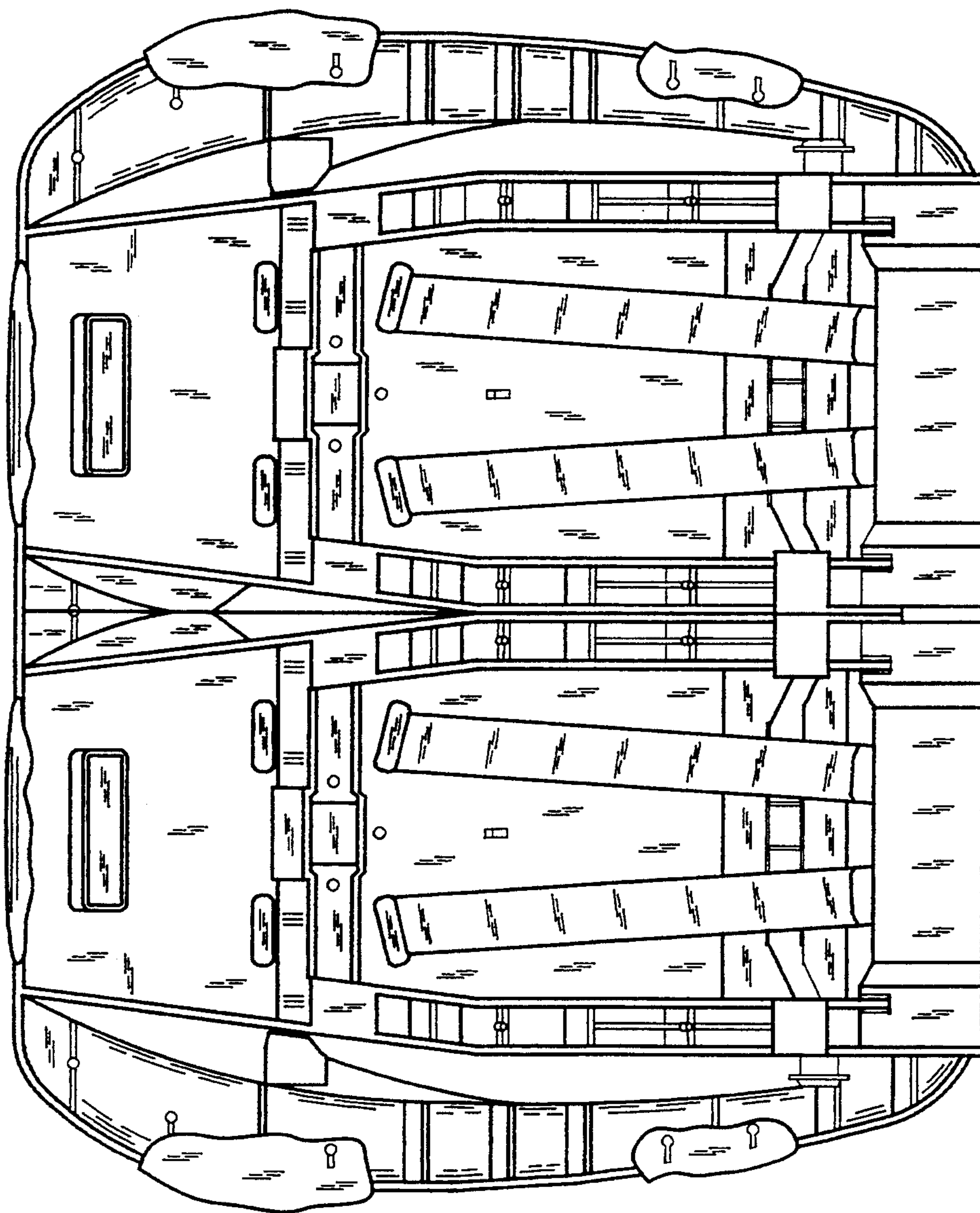


FIG-2

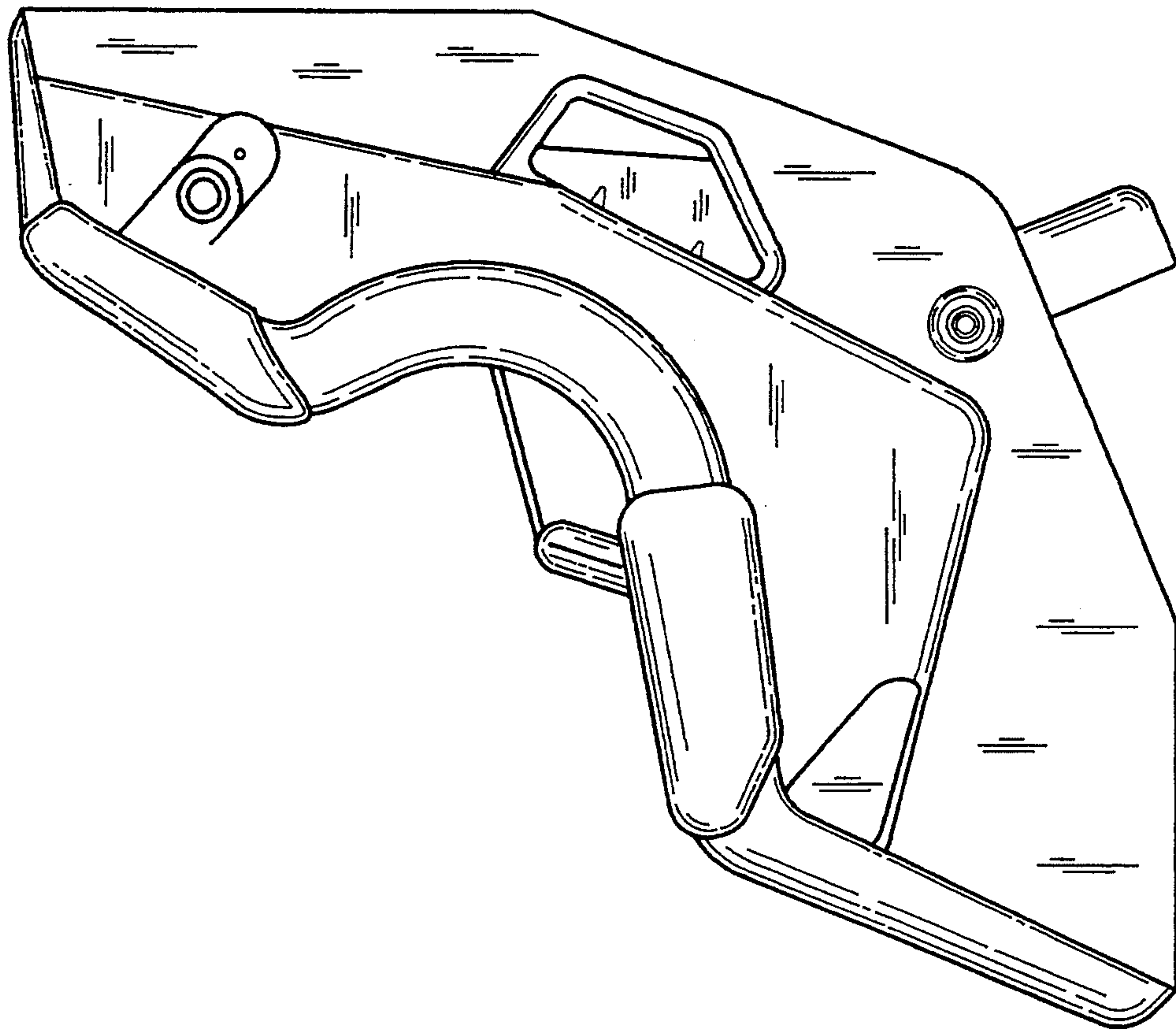


FIG-3

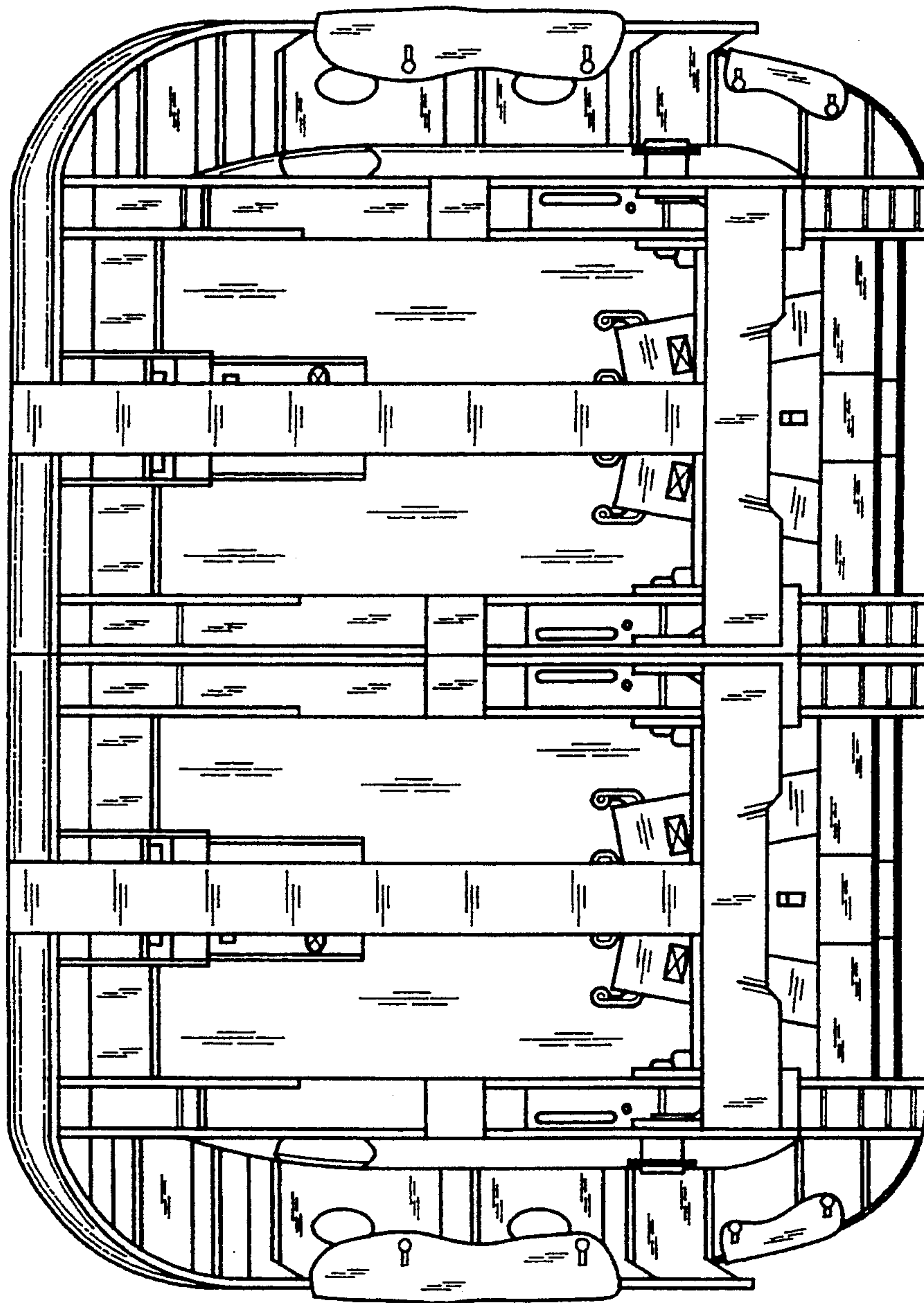


FIG-4

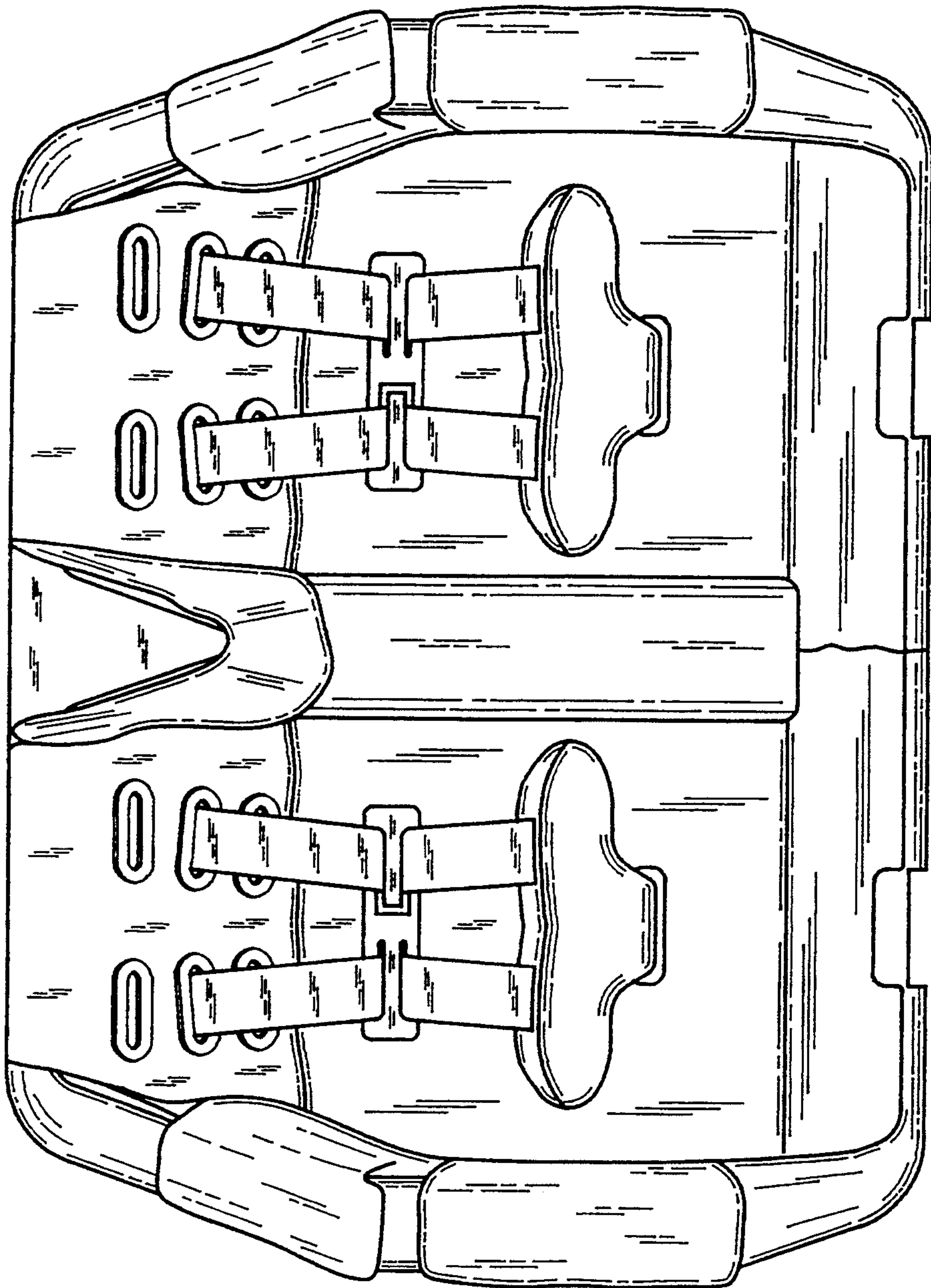


FIG-5

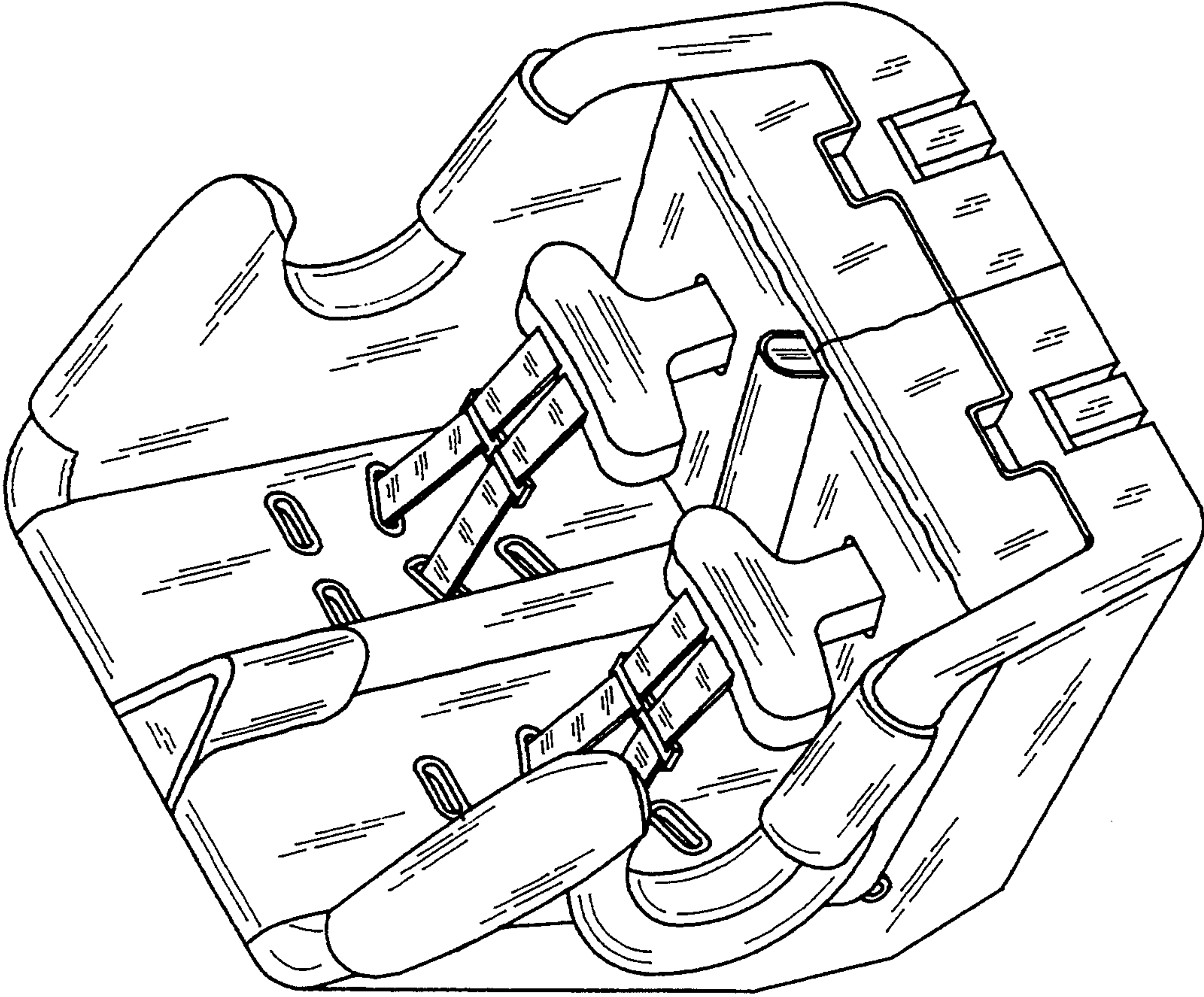


FIG-6