



US00D353932S

United States Patent [19]
New

[11] **Patent Number: Des. 353,932**
[45] **Date of Patent: ** Jan. 3, 1995**

[54] **CHILD SAFETY BELT**

[76] **Inventor: Bruce C. New, 4775 Apartment Blvd
Apt E12, North Charleston, S.C.
29418**

[**] **Term: 14 Years**

[21] **Appl. No.: 2,388**

[22] **Filed: Dec. 11, 1992**

[52] **U.S. Cl. D2/627; D11/216**

[58] **Field of Search D2/627, 628-629,
D2/639; D11/200, 216, 218; 24/498, 633;
297/468, 466; 280/801; D12/42, 43**

[56] **References Cited**

U.S. PATENT DOCUMENTS

D. 335,476	5/1993	Stathis	D11/200 X
1,027,979	5/1912	Bienenzucht	24/498
2,544,354	3/1951	Reiter	D28/63
2,639,852	5/1953	Sanders et al.	297/468
2,740,642	4/1956	Atwood .	
3,311,412	3/1967	Kelly	297/468
3,633,697	1/1971	Silver .	
4,706,992	11/1987	Downing et al.	297/468 X
4,789,183	12/1988	Wolfer	280/801

4,854,607 8/1989 Mandracchia 280/801
4,961,251 10/1990 Smith 24/633

FOREIGN PATENT DOCUMENTS

3711488 10/1987 Germany 297/468

OTHER PUBLICATIONS

Bakelite Review Jul. 1965 p. 11 top left seat belt.

Primary Examiner—Bernard Ansher

Assistant Examiner—C. Tuttle

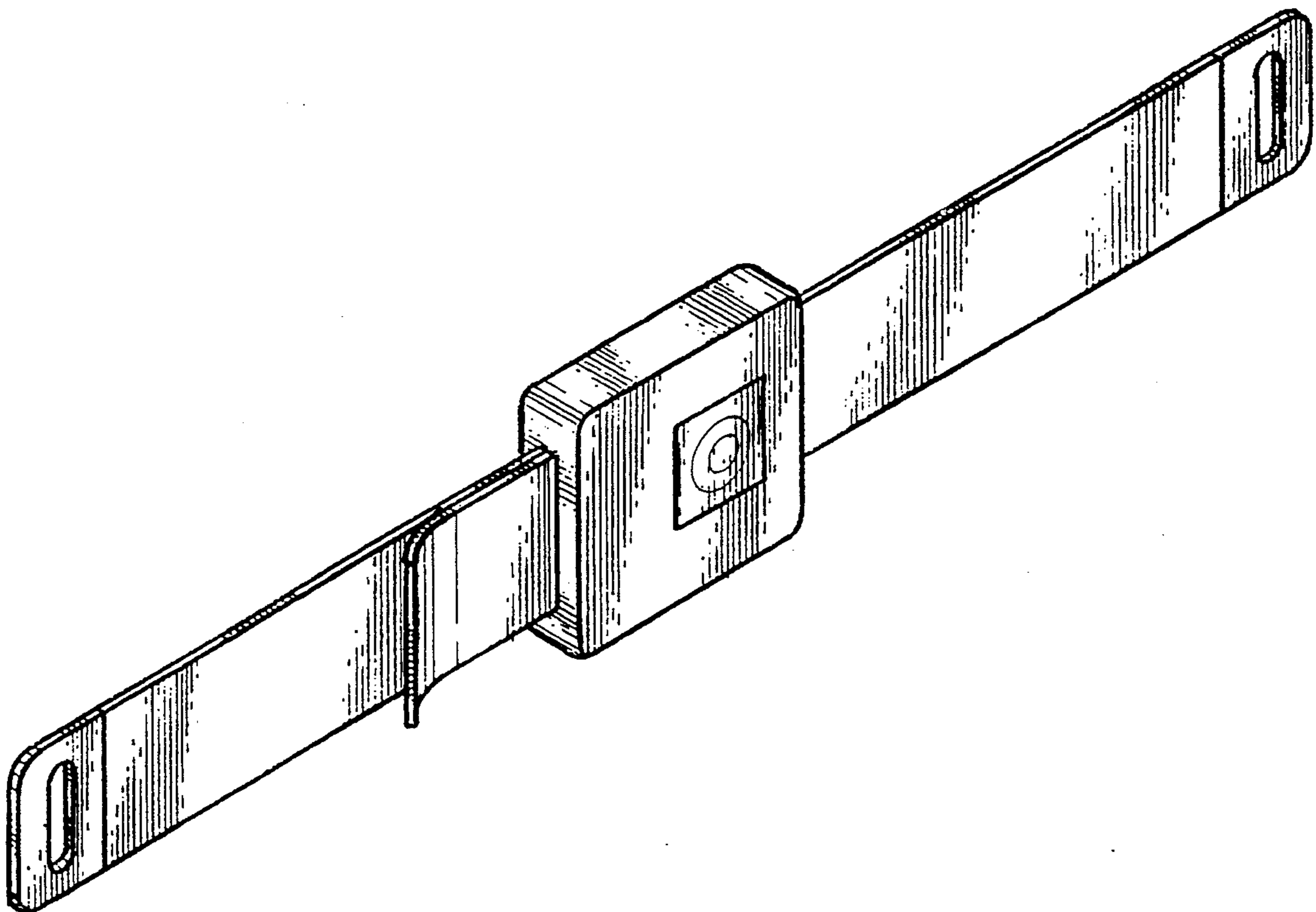
Attorney, Agent, or Firm—Terry M. Gernstein

[57] **CLAIM**

The ornamental design for a child safety belt, as shown and described.

DESCRIPTION

FIG. 1 is a front, top and end perspective view of the child safety belt showing my new design;
FIG. 2 is an end elevational view thereof;
FIG. 3 is an end elevational view thereof;
FIG. 4 is a rear elevational view thereof;
FIG. 5 is a front elevational view thereof; and,
FIG. 6 is a top plan view thereof, the bottom view being a mirror image of the top view shown in FIG. 6.



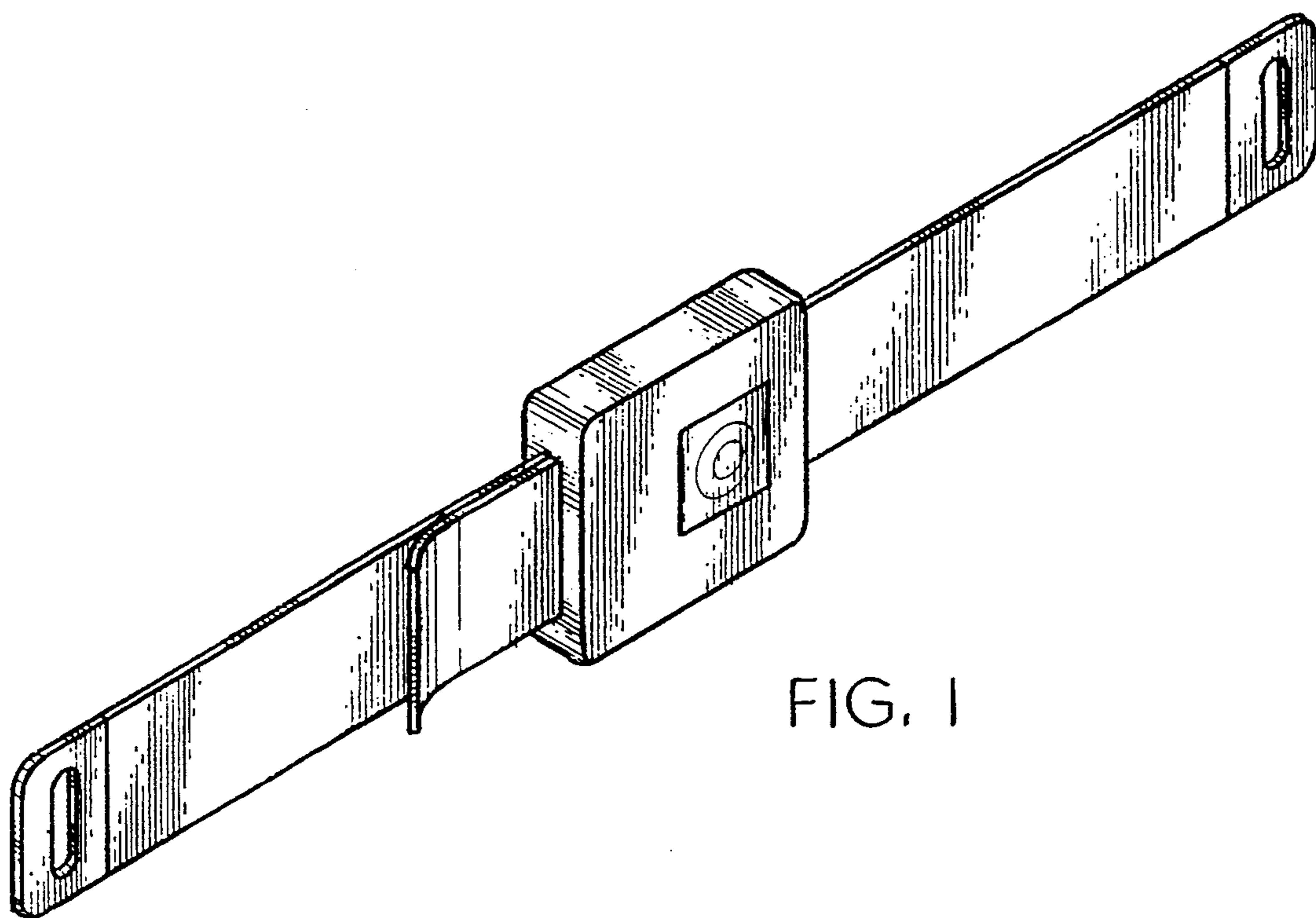


FIG. 1

FIG. 2



FIG. 3



FIG. 4

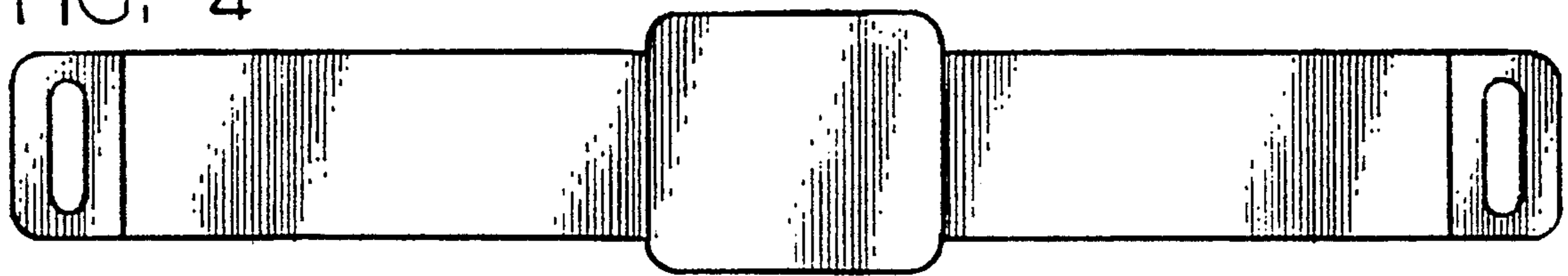


FIG. 5

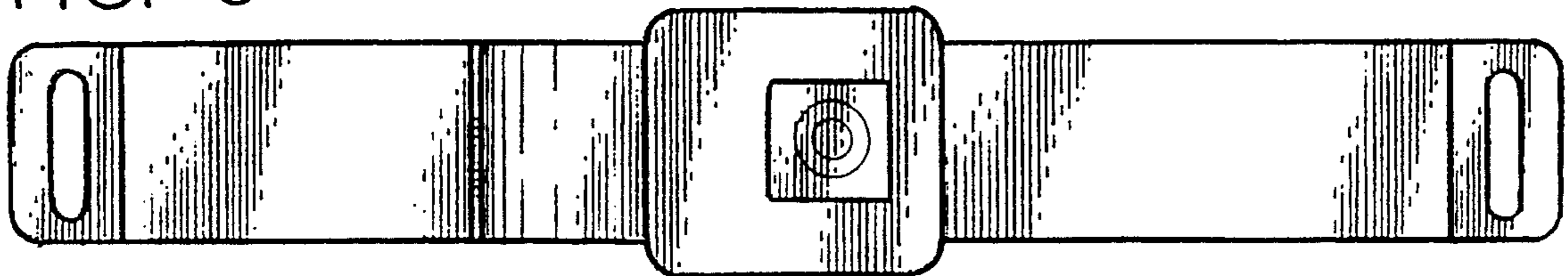




FIG. 6