



US00D353931S

# United States Patent [19]

[11] Patent Number: **Des. 353,931**

**Kobayakawa et al.**

[45] Date of Patent: **\*\* Dec. 27, 1994**

[54] **FORK LIFT TRUCK**

4,770,428 9/1988 Sugiyama ..... 224/42.44

[75] Inventors: **Masanao Kobayakawa; Hisao Nagata; Yoshitaka Sato; Ichiro Nagasaka**, all of Kariya, Japan

### FOREIGN PATENT DOCUMENTS

674152 11/1985 Japan .

[73] Assignee: **Kabushiki Kaisha Toyoda Jidoshokki Seisakusho**, Kariya, Japan

*Primary Examiner*—Kay H. Chin  
*Attorney, Agent, or Firm*—Brooks Haidt Haffner & Delahunty

[\*\*] Term: **14 Years**

### [57] CLAIM

[21] Appl. No.: **3,662**

The ornamental design for a fork lift truck, as shown and described.

[22] Filed: **Jan. 13, 1993**

### DESCRIPTION

### [30] Foreign Application Priority Data

Jul. 14, 1992 [JP] Japan ..... 4-21184

Jul. 14, 1992 [JP] Japan ..... 4-21185

[52] U.S. Cl. .... **D34/34; D34/37**

[58] Field of Search ..... **D34/28, 34, 37; 296/107; 224/42.44**

FIG. 1 is a rear-perspective view of the fork lift truck showing our new design;  
FIG. 2 is a front-elevational view thereof;  
FIG. 3 is a left-side elevational view thereof;  
FIG. 4 is a rear-elevational view thereof;  
FIG. 5 is a right-side elevational view thereof;  
FIG. 6 is a top-plan view thereof;  
FIG. 7 is a bottom-plan view thereof;  
FIG. 8 is a rear-perspective view of a second embodiment of the fork lift truck;  
FIG. 9 is a left-side elevational view of FIG. 8;  
FIG. 10 is a bottom-plan view of FIG. 8; and,  
FIG. 11 is a right-side elevational view of FIG. 8.

### [56] References Cited

#### U.S. PATENT DOCUMENTS

D. 234,050 1/1975 Crawford ..... D34/34

D. 244,439 5/1977 Carr et al. .... D34/34

D. 327,356 6/1992 Laatsch ..... D34/34

3,713,688 1/1973 Monroe ..... 296/107

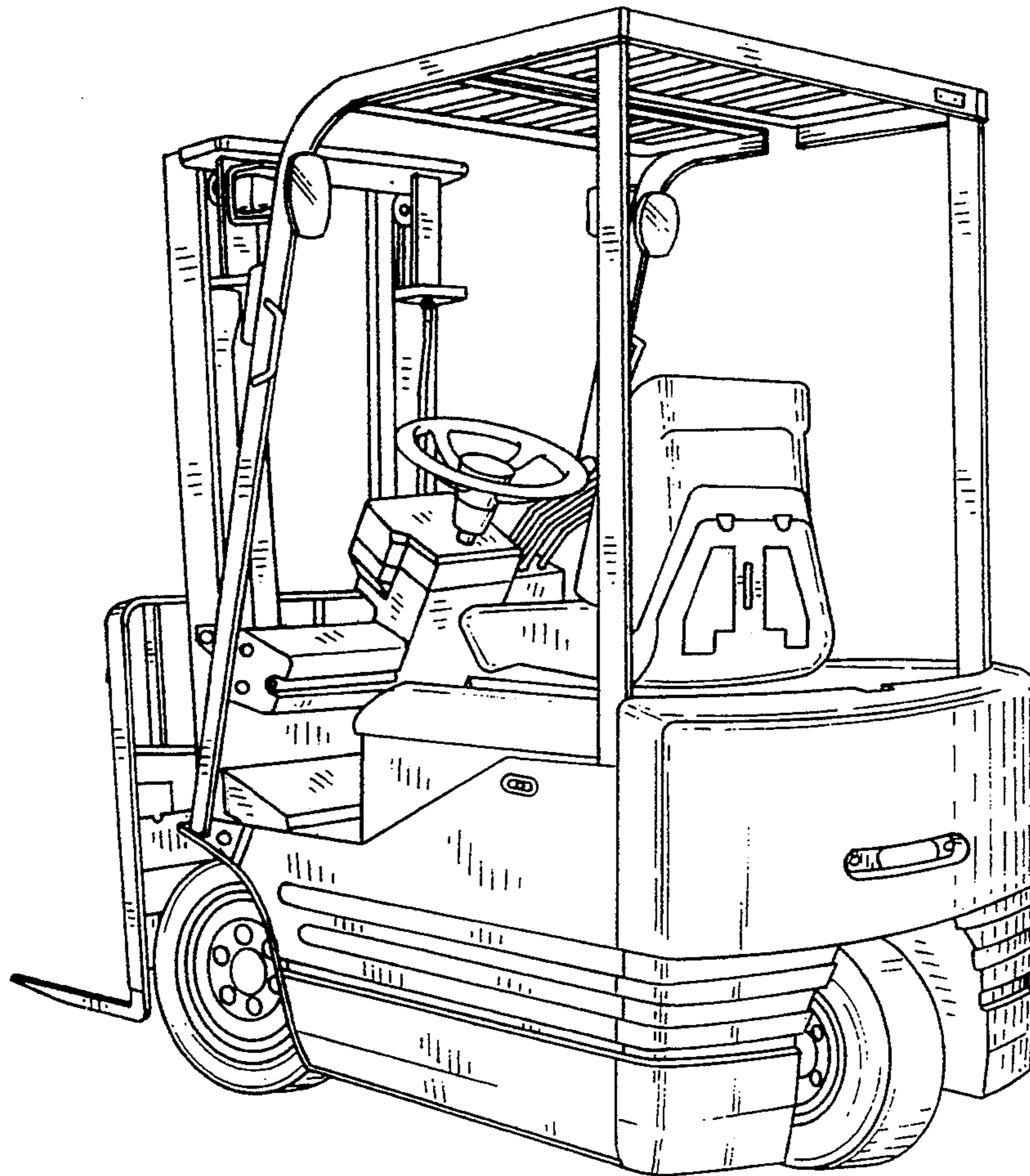


FIG. 1

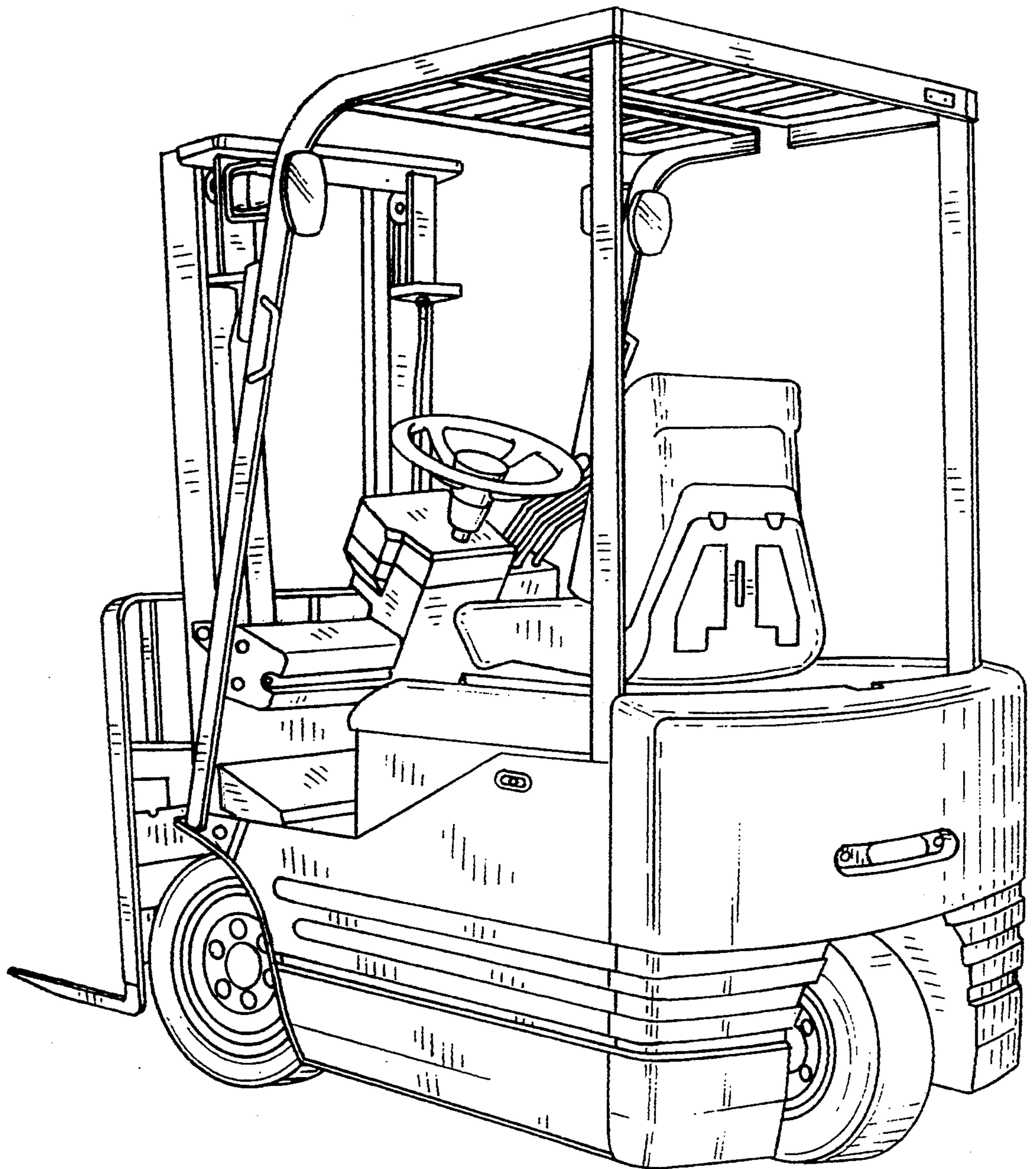


FIG. 3

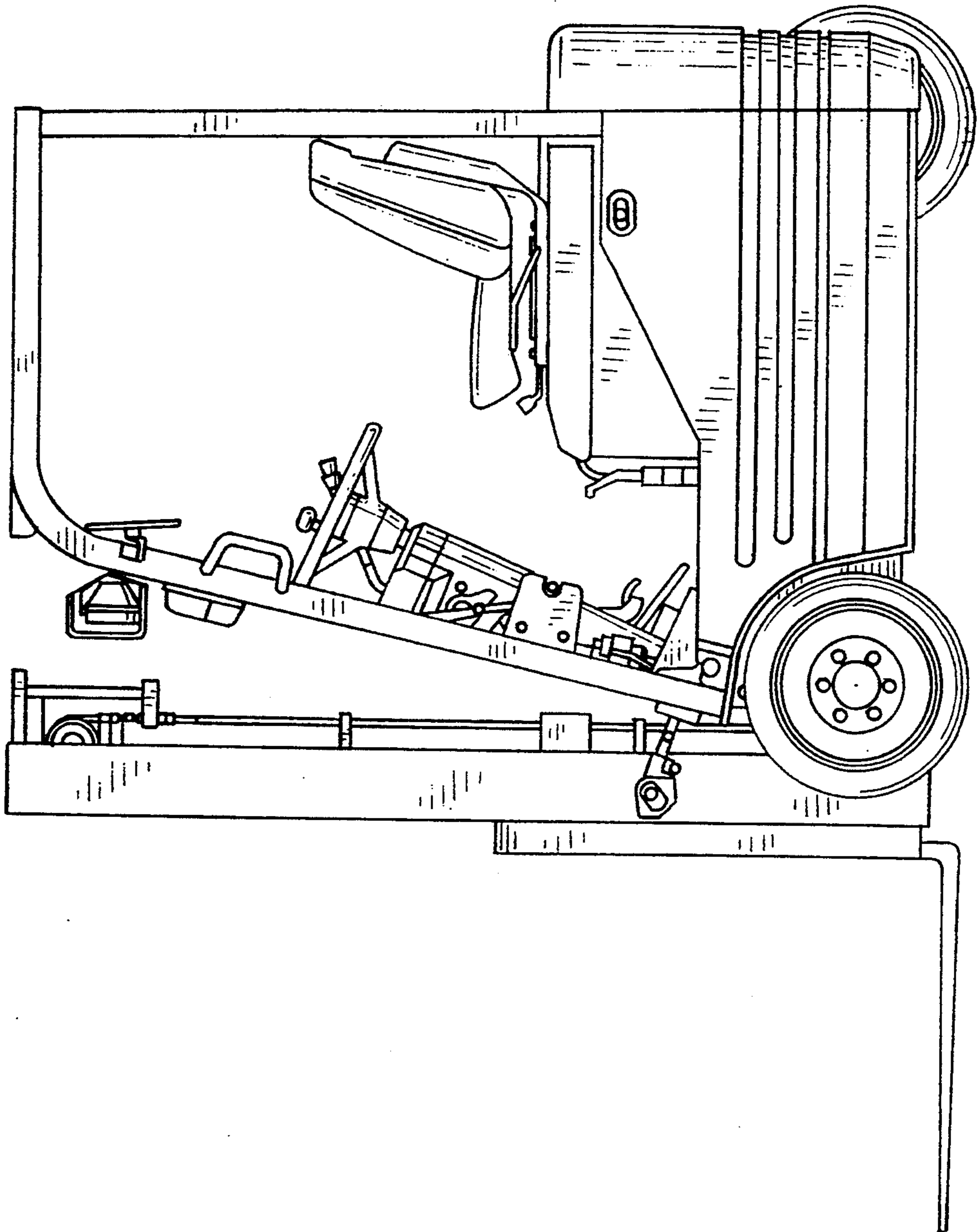


FIG. 2

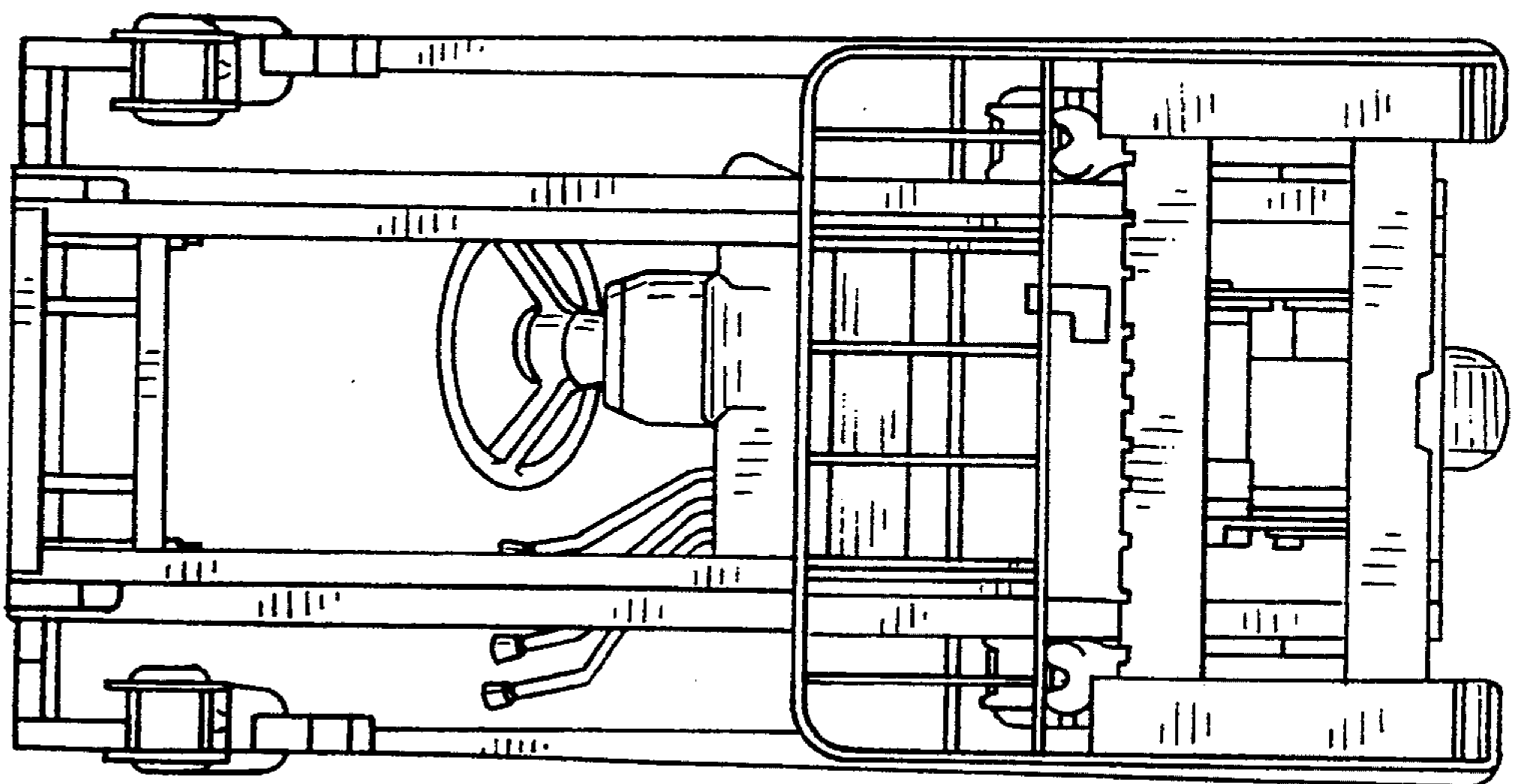


FIG. 5

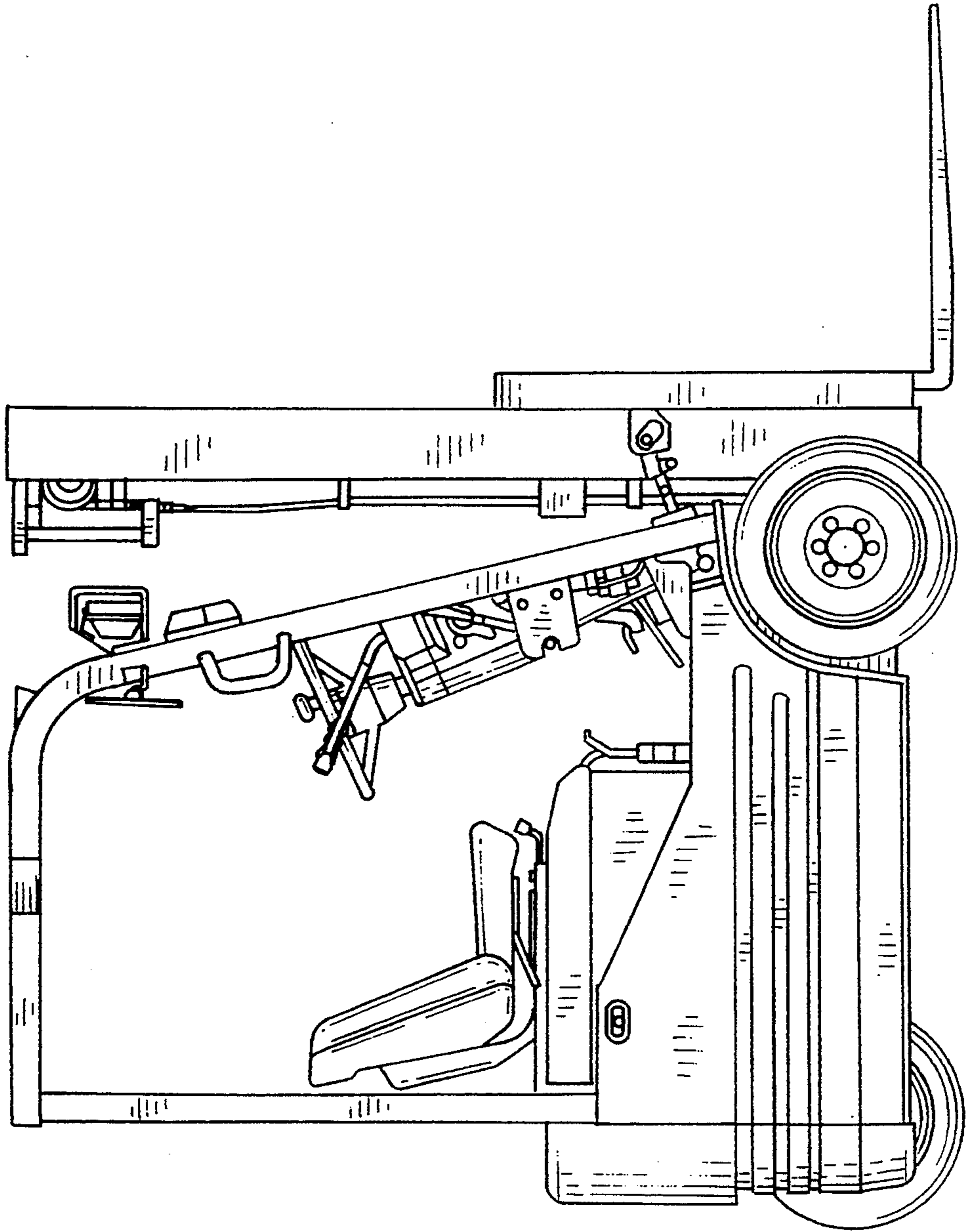


FIG. 4

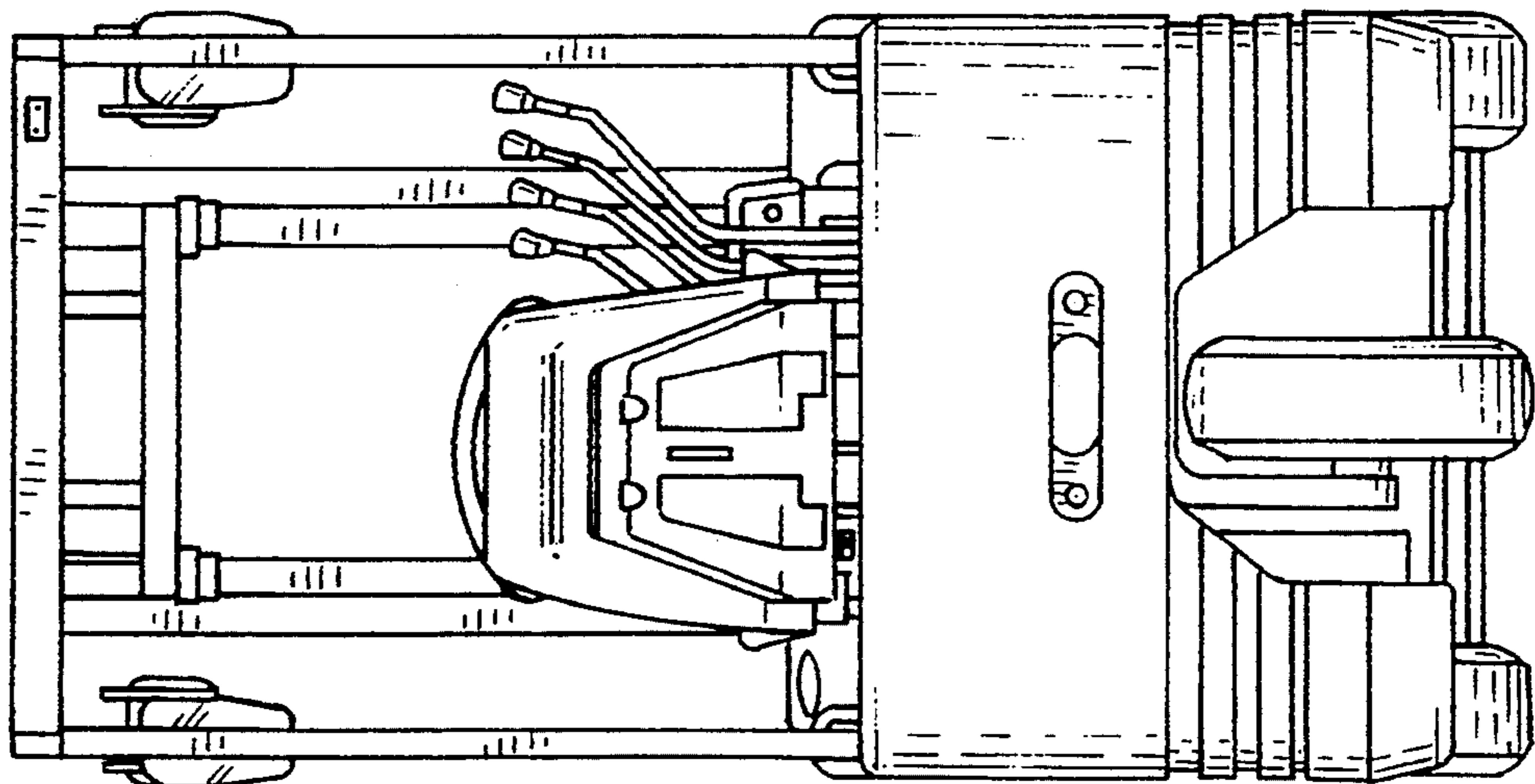


FIG. 6

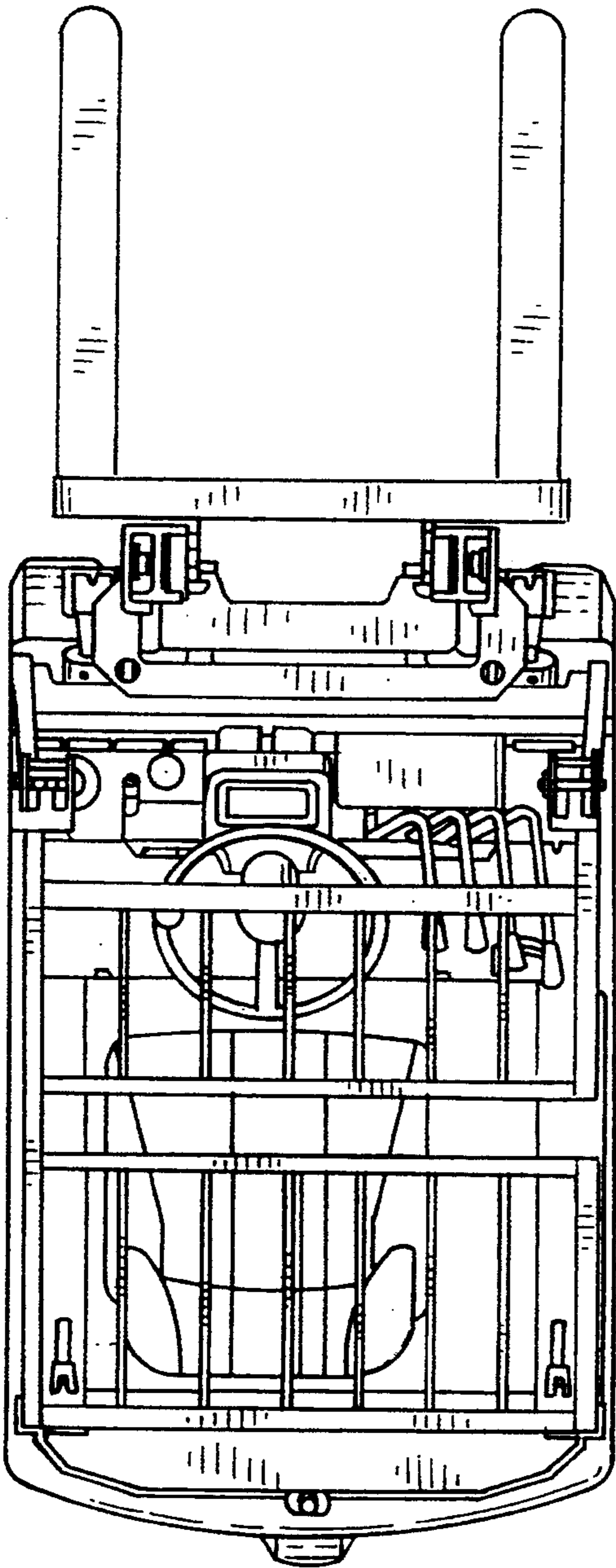


FIG. 7

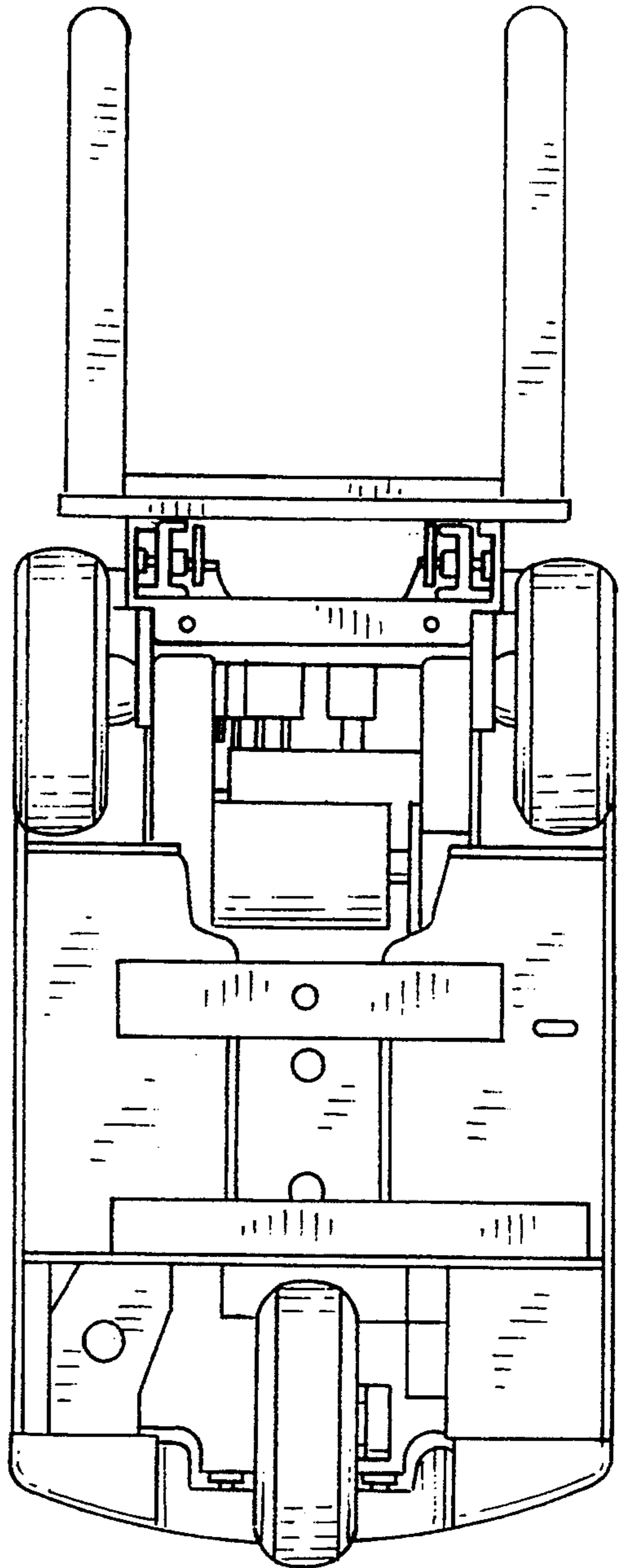


FIG. 8

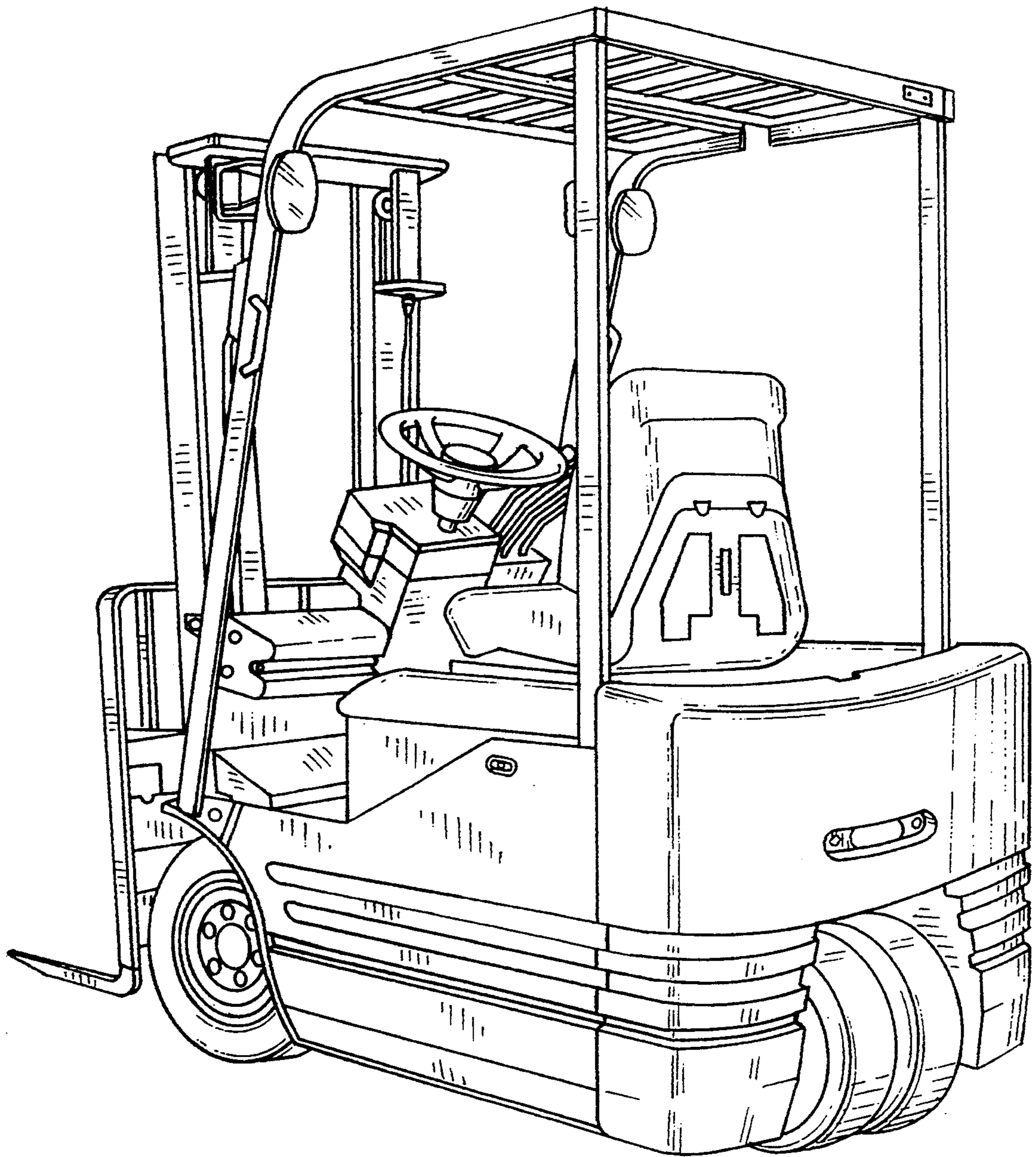


FIG. 9

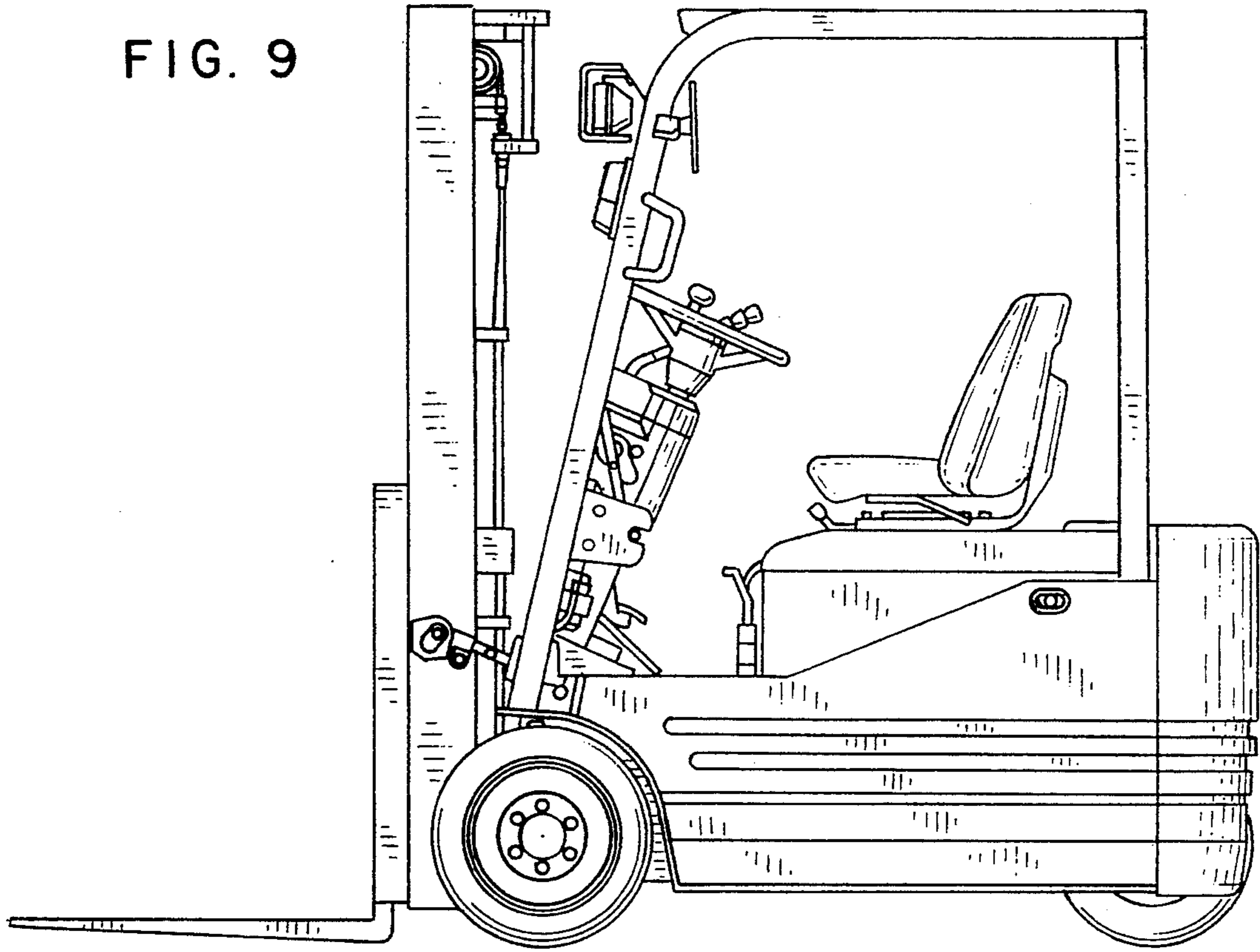


FIG. 10

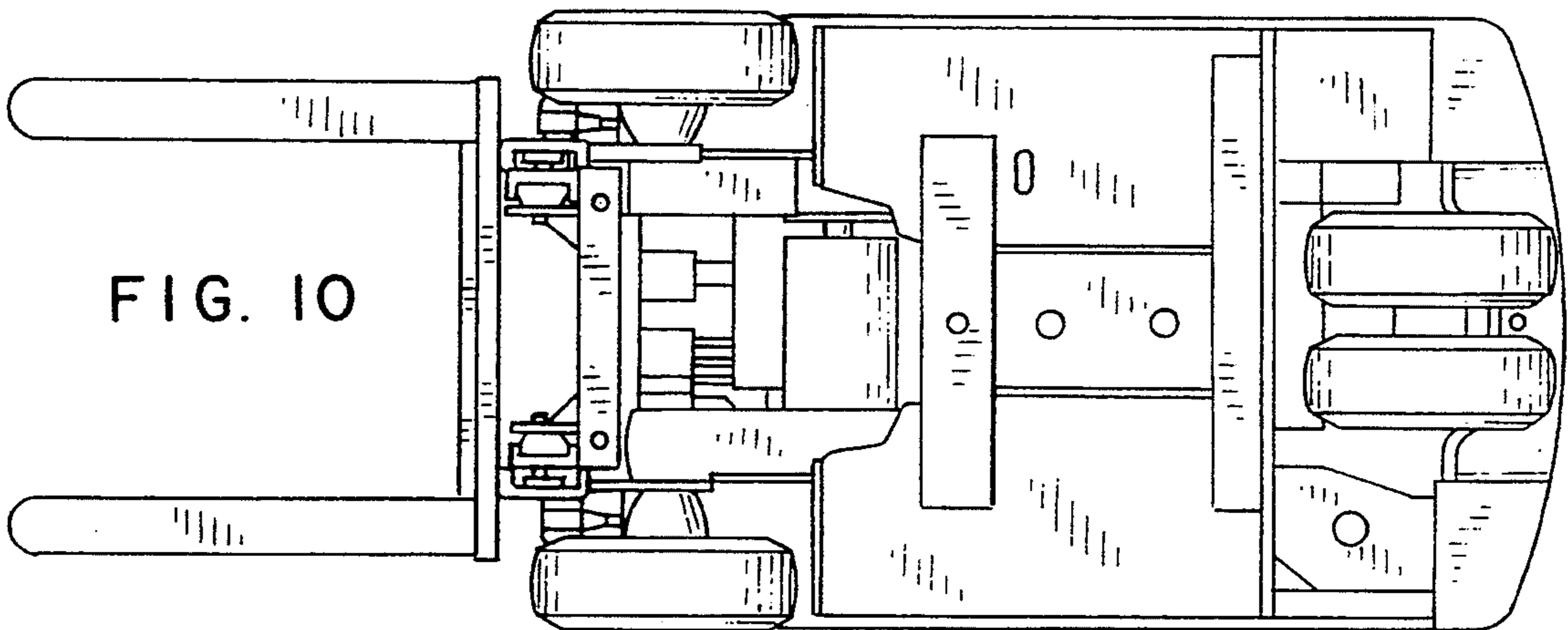


FIG. II

