



US00D353929S

United States Patent [19] Kincaid

[11] Patent Number: **Des. 353,929**

[45] Date of Patent: **** Dec. 27, 1994**

[54] **RAMP**

[76] Inventor: **David W. Kincaid**, 3039 N. 51st St.,
Kansas City, Kans. 66104

[**] Term: **14 Years**

[21] Appl. No.: **1,877**

[22] Filed: **Nov. 25, 1992**

[52] U.S. Cl. **D34/32; D34/28**

[58] Field of Search **D34/32, 28; 14/69.5,
14/71.1, 71.3, 72.5**

4,341,371 7/1982 Robelia 14/69.5
4,368,553 1/1983 Perry 14/69.5

Primary Examiner—Kay H. Chin
Attorney, Agent, or Firm—Hovey, Williams, Timmons &
Collins

[57] **CLAIM**

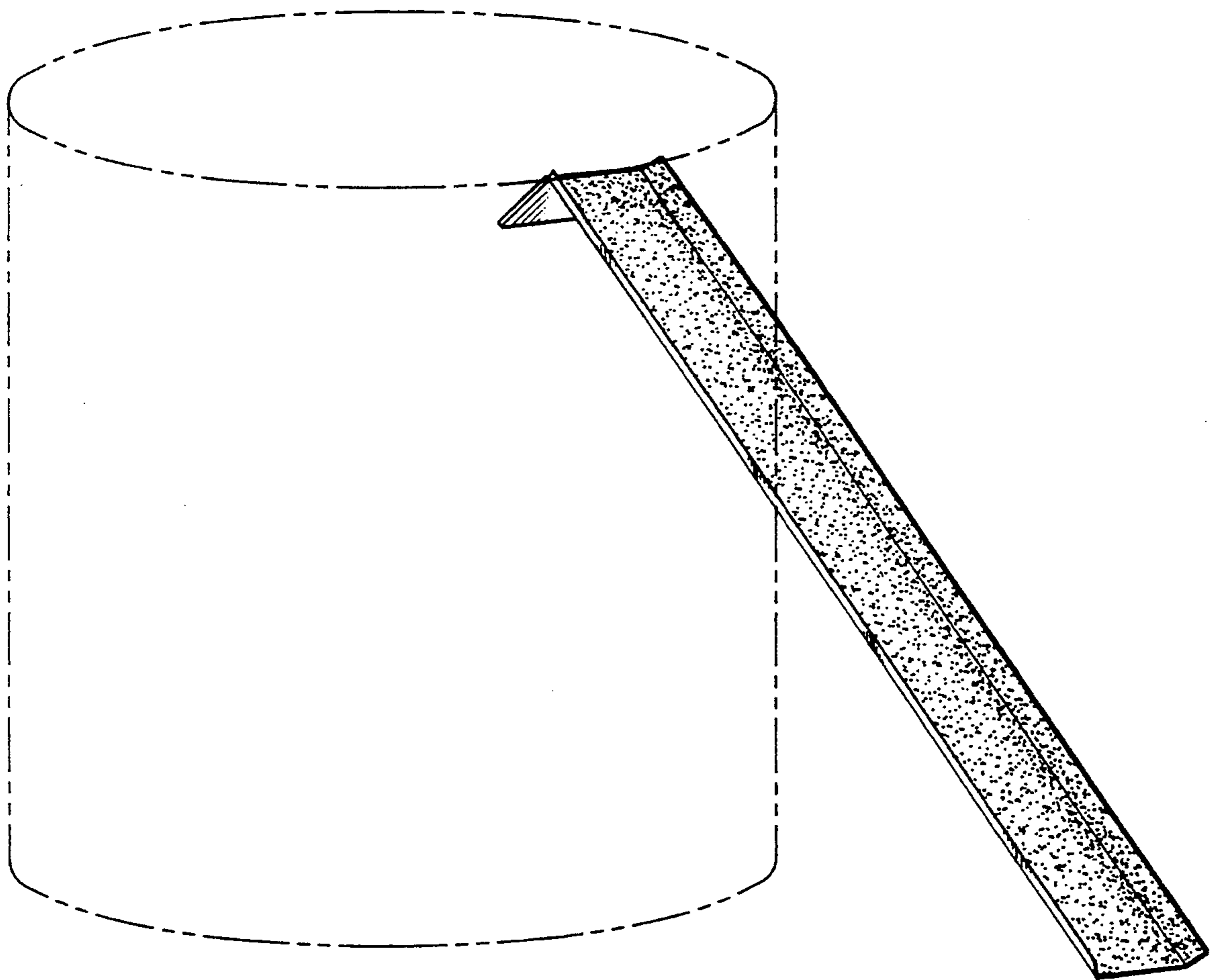
The ornamental design for a ramp, as shown and described.

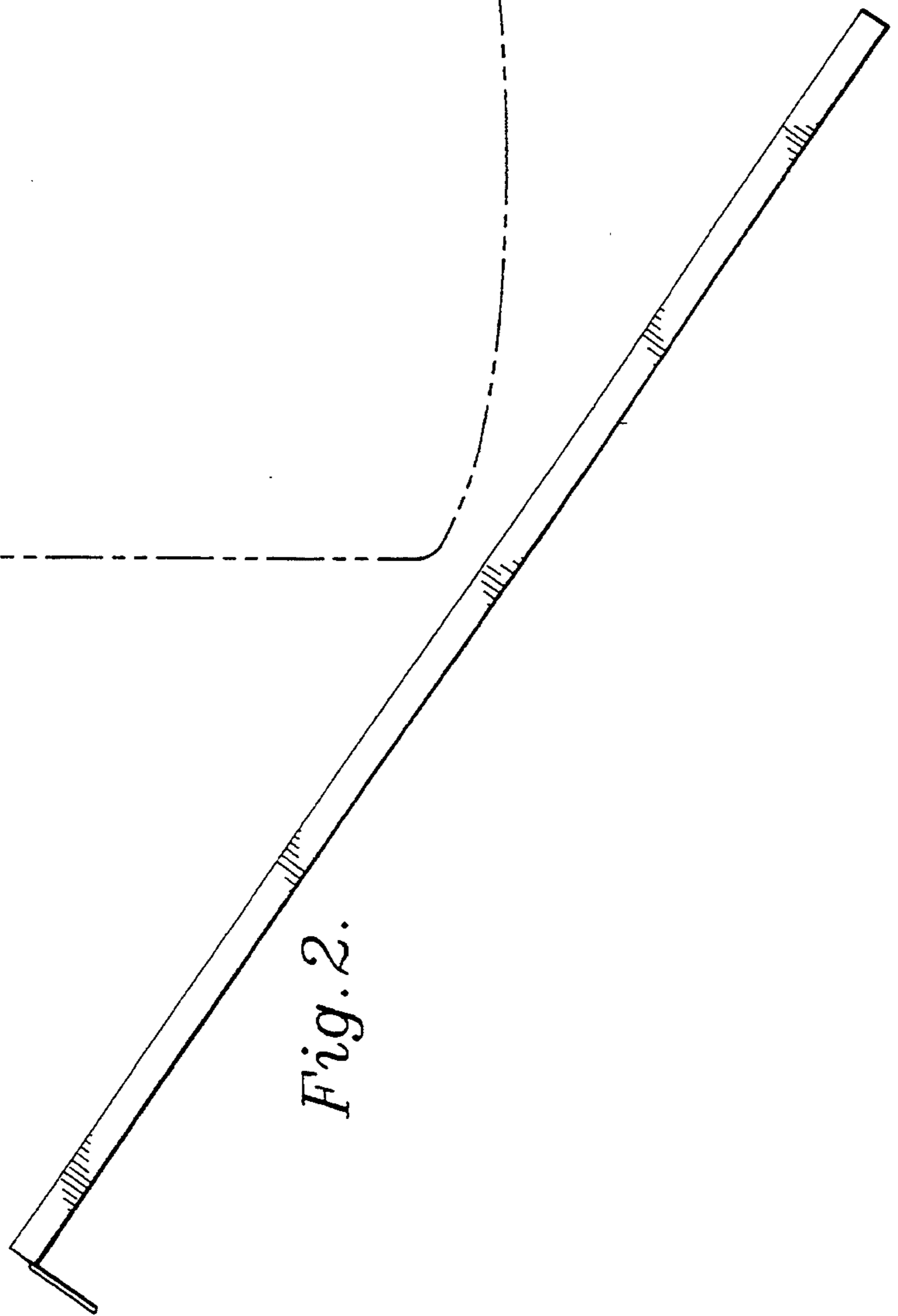
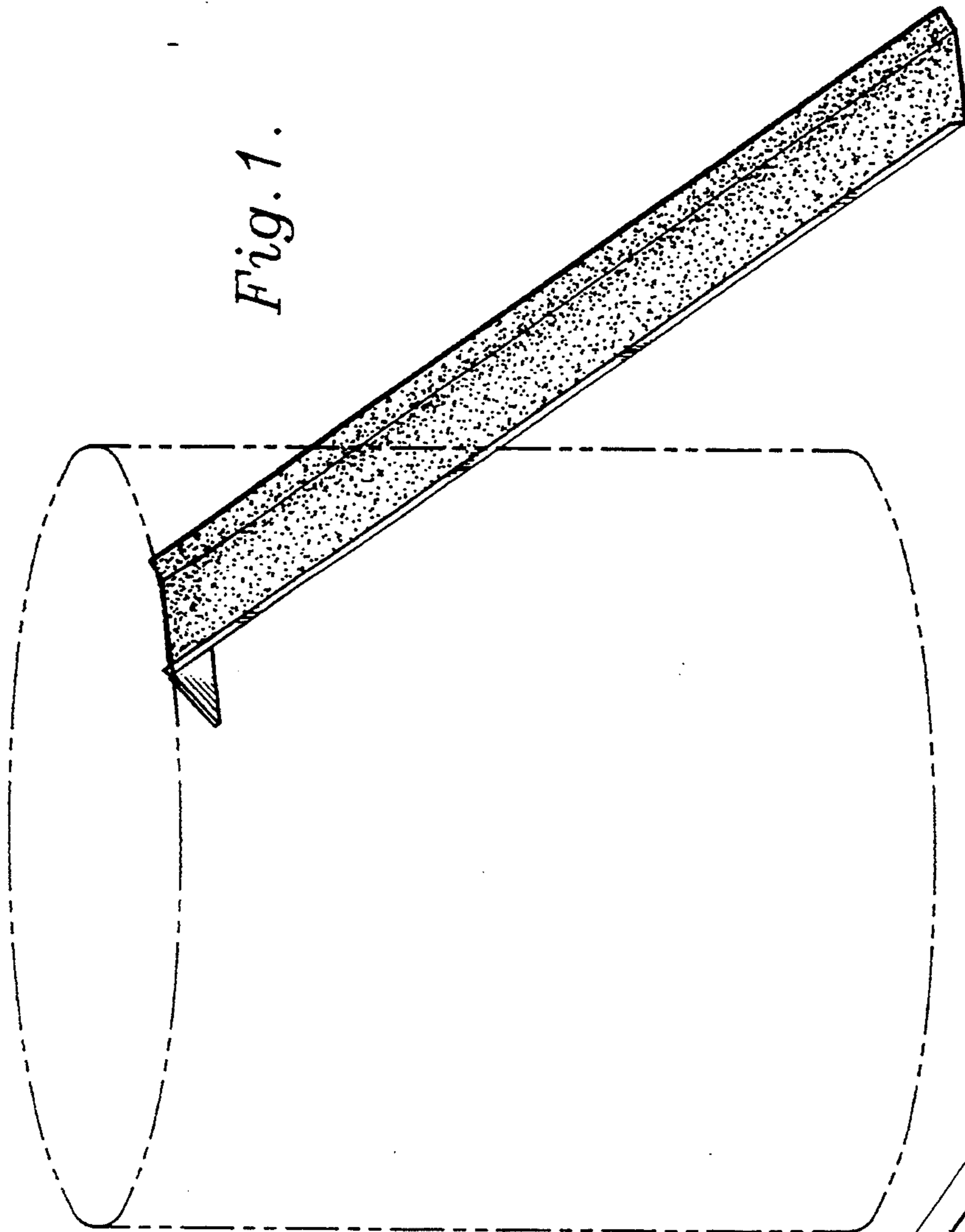
DESCRIPTION

FIG. 1 is a front perspective view of the ramp;
FIG. 2 is a side elevational view thereof;
FIG. 3 is a top plan view thereof;
FIG. 4 is a bottom plan view thereof;
FIG. 5 is a rear elevational view; and,
FIG. 6 is a front elevational view.

[56] **References Cited**
U.S. PATENT DOCUMENTS

| | | | | |
|-----------|---------|----------|-------|---------|
| 976,666 | 11/1910 | Lucas | | 14/69.5 |
| 1,789,885 | 1/1931 | Skinner | | D34/32 |
| 4,078,678 | 3/1978 | Tordella | | 14/69.5 |





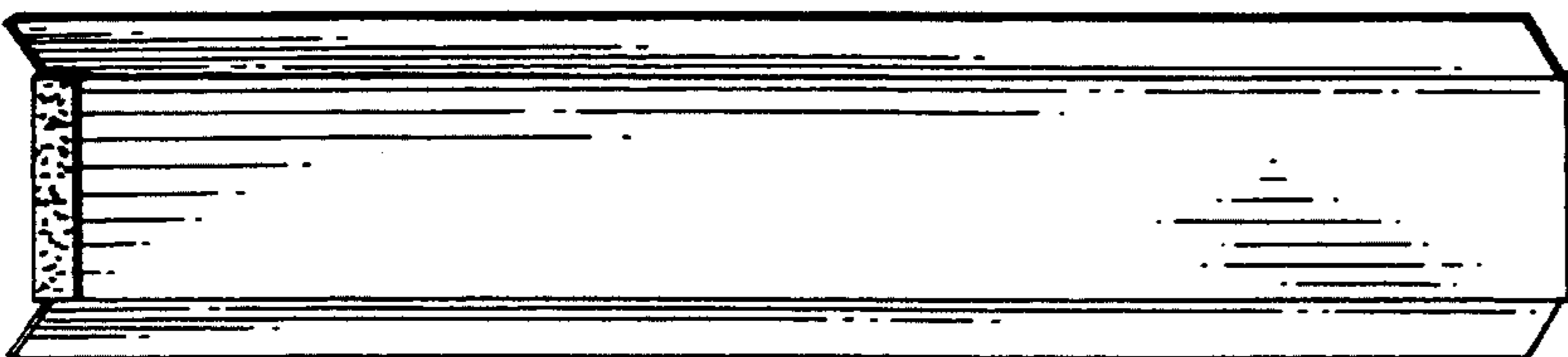


Fig. 5.

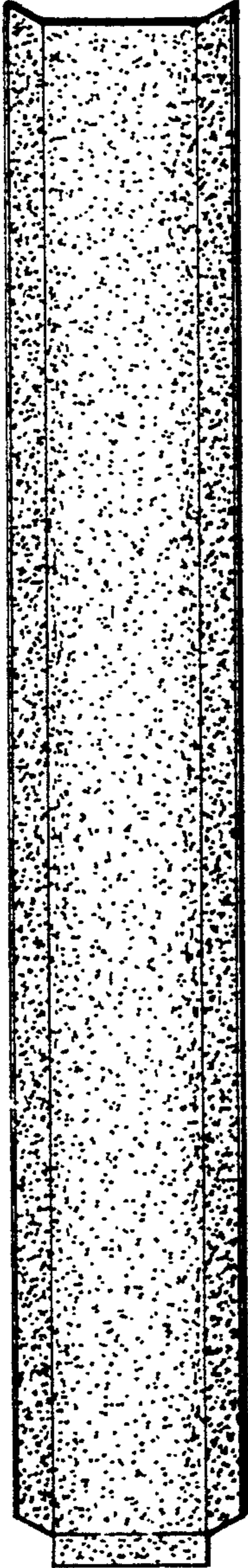


Fig. 3.

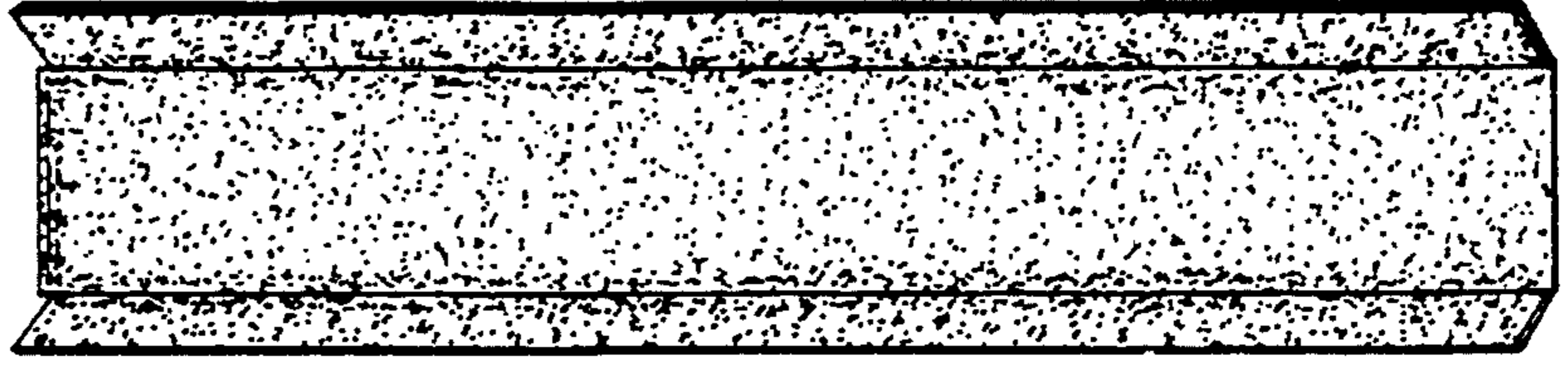


Fig. 6.

Fig. 4.

