



US00D353928S

United States Patent [19]

[11] Patent Number: **Des. 353,928**

Michael, Jr.

[45] Date of Patent: **** Dec. 27, 1994**

[54] **CART FOR CARRYING SPOOLS OF WIRE**

[76] Inventor: **Edwin R. Michael, Jr.**, 362 W. 5th St., Lewiston, Pa. 17044

[**] Term: **14 Years**

[21] Appl. No.: **16,428**

[22] Filed: **Dec. 16, 1993**

[52] U.S. Cl. **D34/26; D34/24**

[58] Field of Search **D34/12, 24, 25, 26; 280/47.29, 47.17, 47.26, 47.27, 47.24, 655**

[56] **References Cited**

U.S. PATENT DOCUMENTS

4,009,891	3/1977	Jensen	280/47.27
4,315,632	2/1982	Taylor	280/47.29
5,143,389	9/1992	Jonkers	280/47.27

Primary Examiner—Kay H. Chin
Attorney, Agent, or Firm—Terry M. Gernstein

[57] **CLAIM**

The ornamental design for a cart for carrying spools of wire, as shown and described.

DESCRIPTION

FIG. 1 is a front, top and side perspective view of the cart for carrying spools of wire showing my new design;

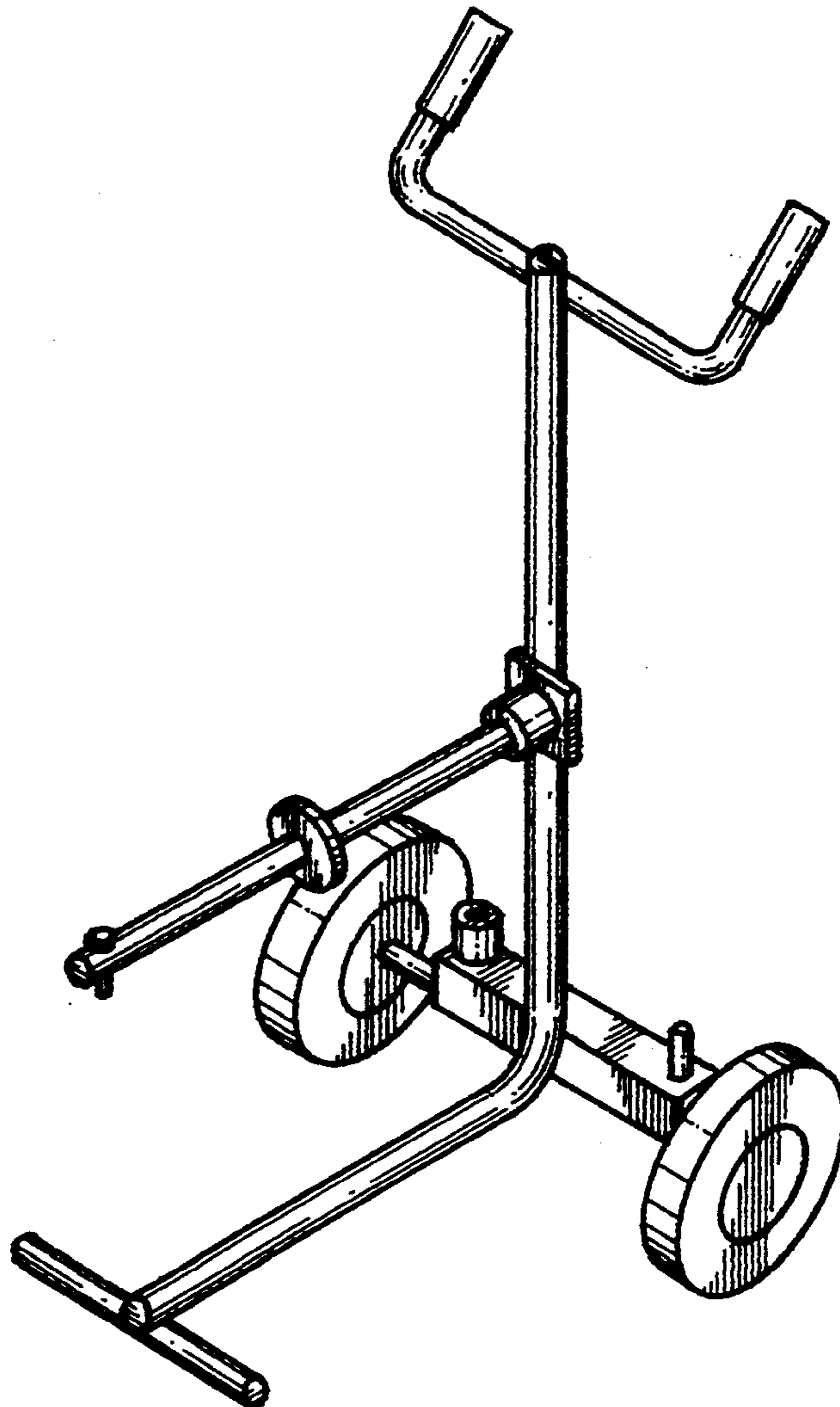
FIG. 2 is a side elevational view thereof, the side opposite being a mirror image of the side shown in FIG. 2;

FIG. 3 is a front elevational view thereof;

FIG. 4 is a rear elevational view thereof;

FIG. 5 is a top plan view thereof; and,

FIG. 6 is a bottom plan view thereof.



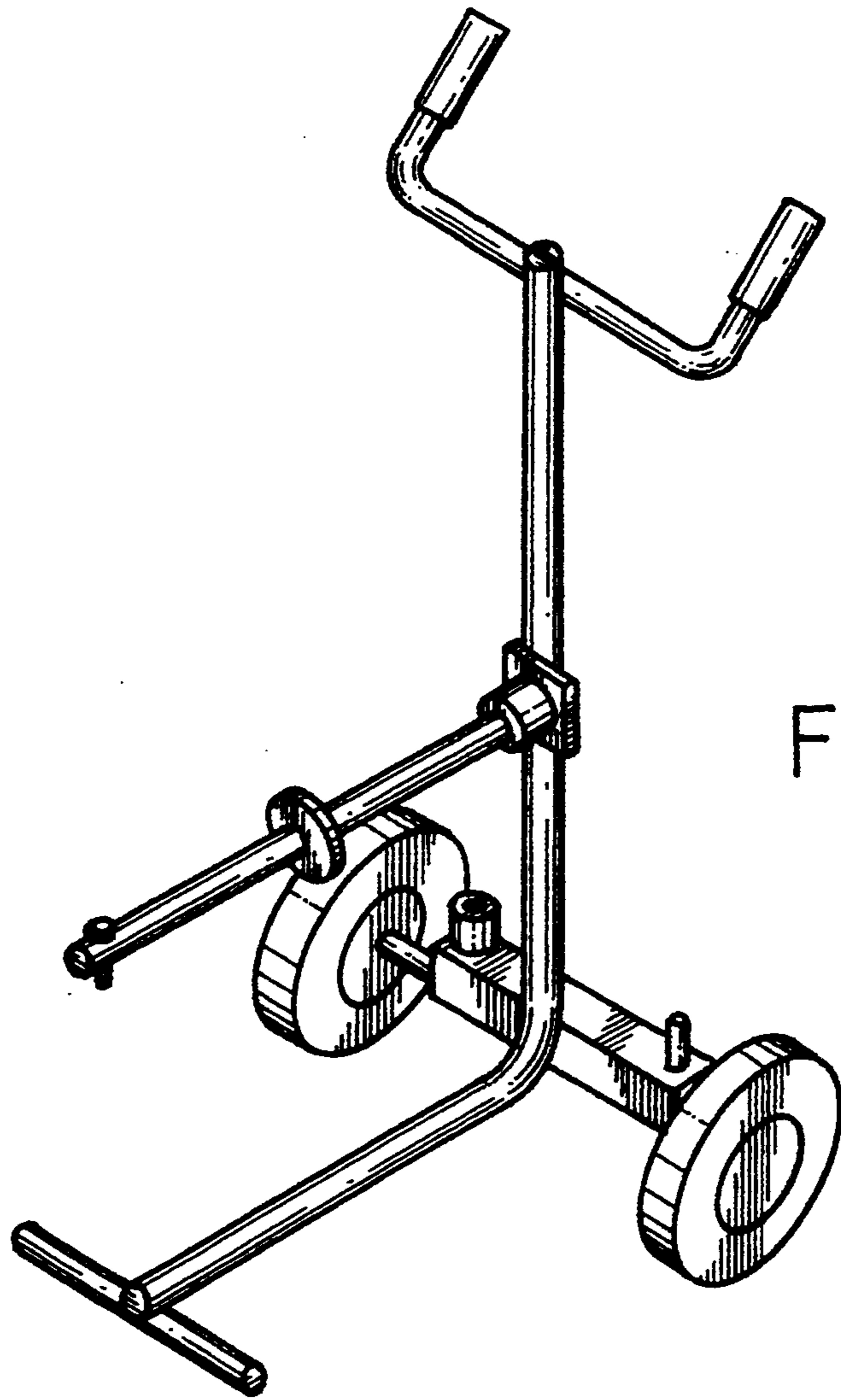


FIG. 1.

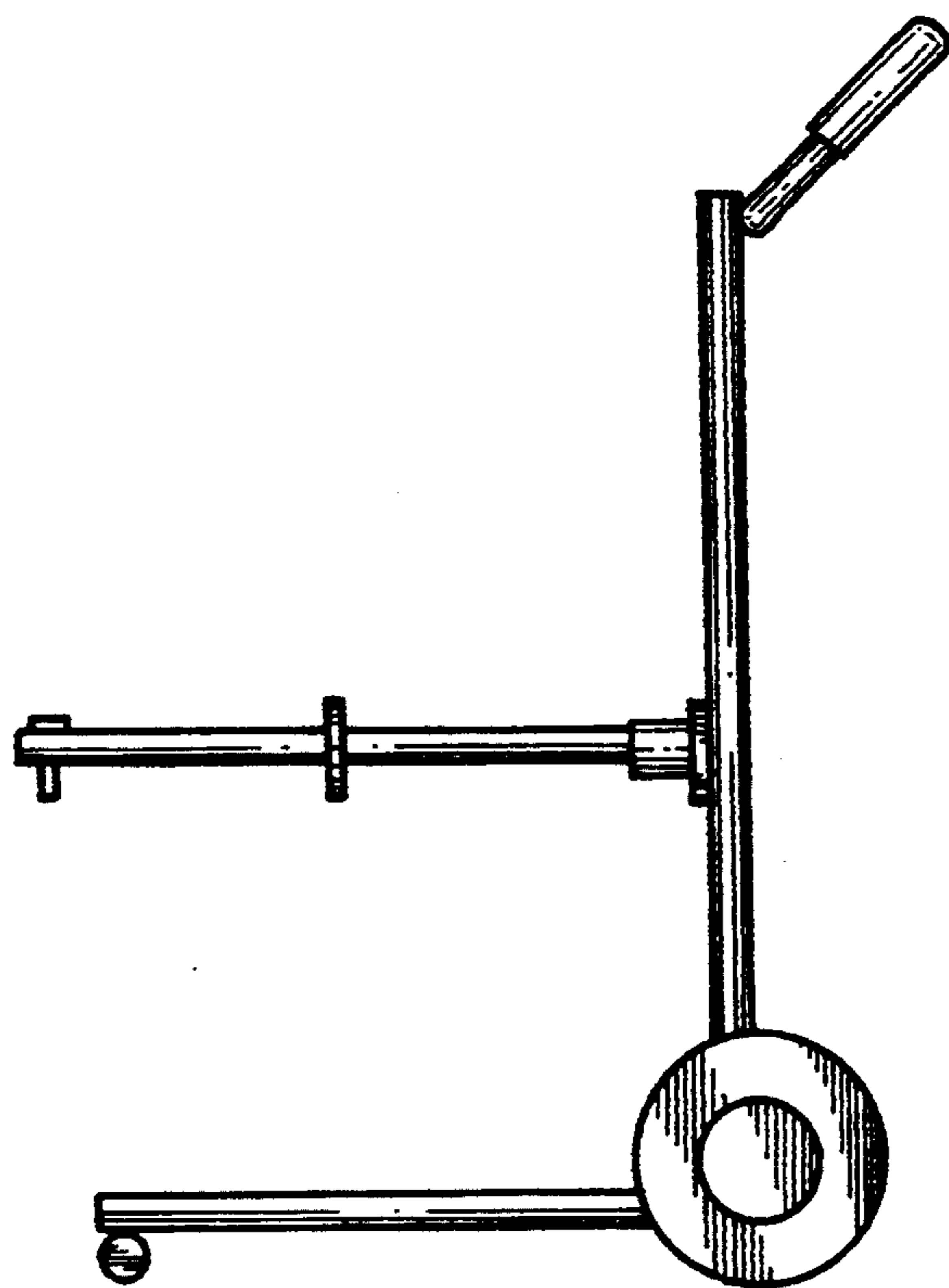


FIG. 2.

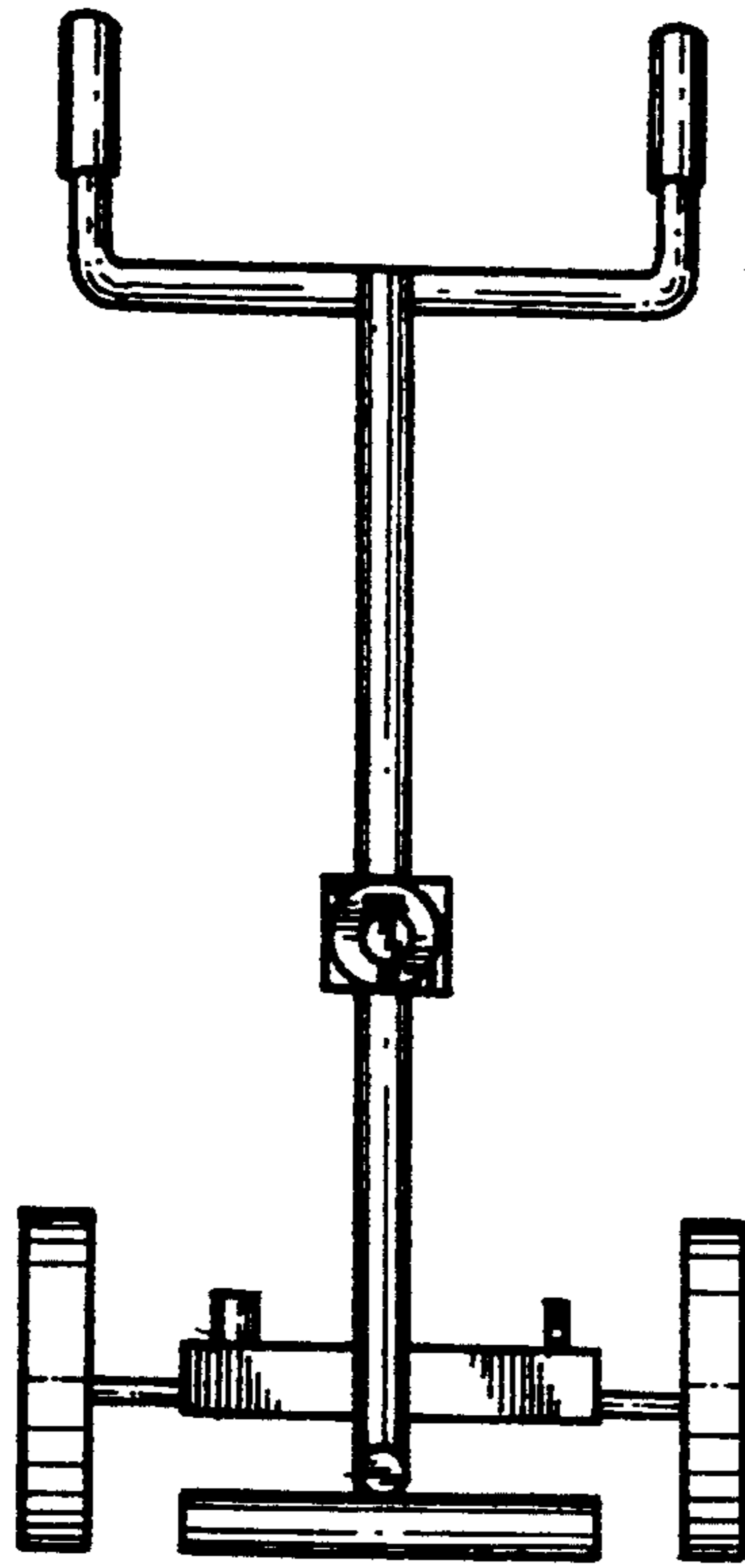


FIG. 3.

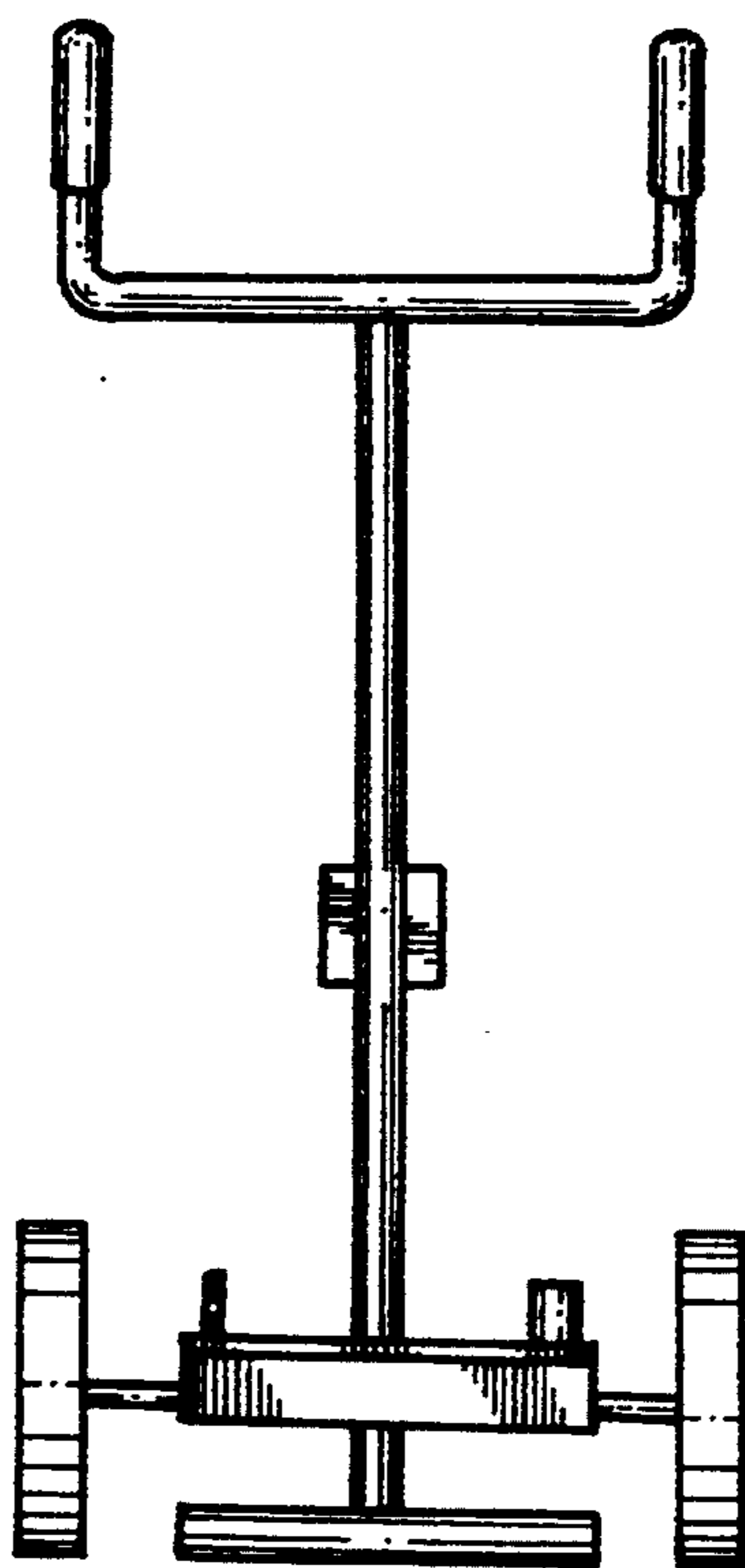


FIG. 4.

FIG. 5.

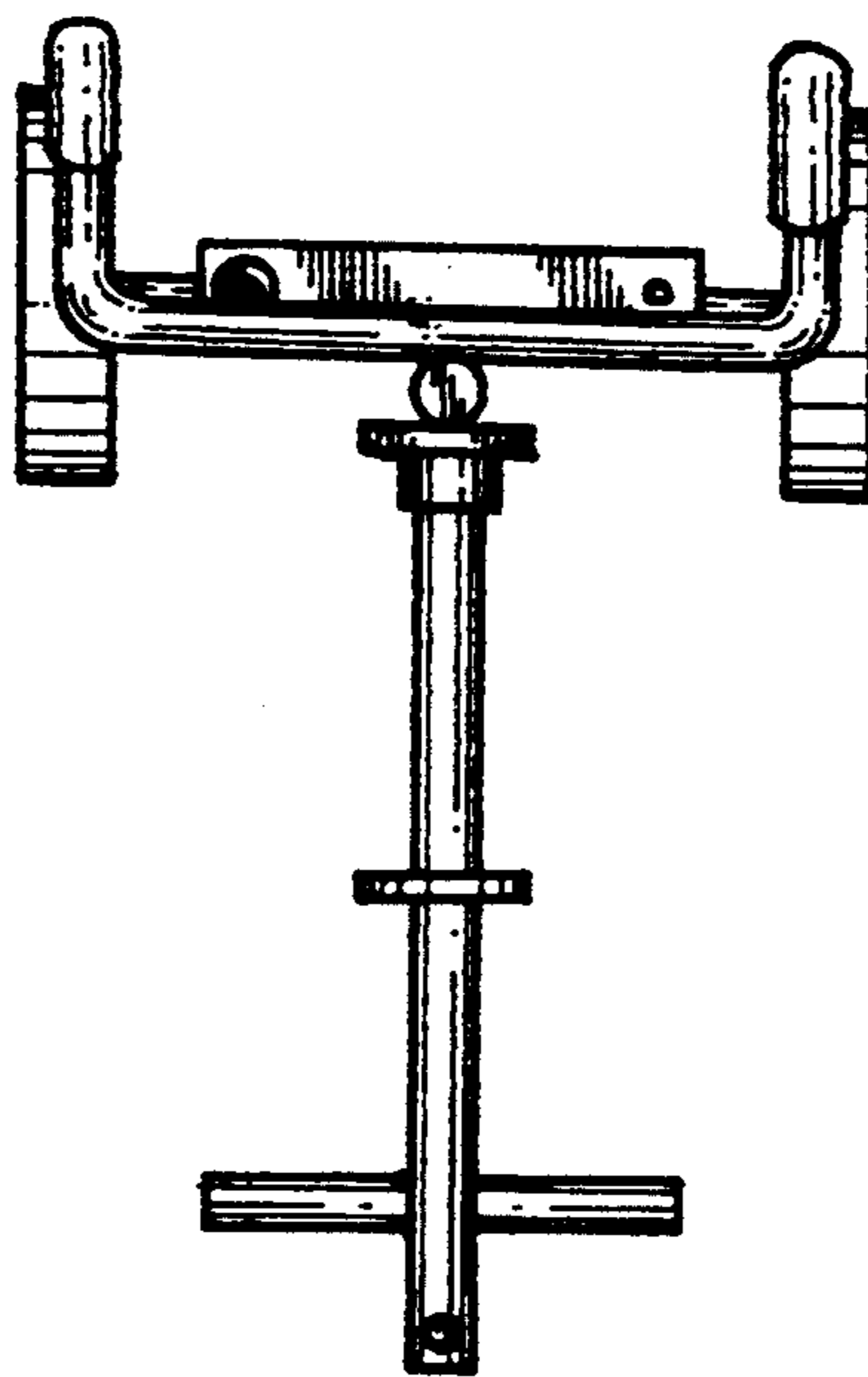


FIG. 6.

