



US00D353927S

United States Patent [19] Maddux

[11] Patent Number: **Des. 353,927**
[45] Date of Patent: **** Dec. 27, 1994**

[54] **TRAY AND DISH CART**
[75] Inventor: **Larry D. Maddux**, Westminster, Calif.
[73] Assignee: **Cambro Manufacturing Company**, Huntington Beach, Calif.
[**] Term: **14 Years**
[21] Appl. No.: **10,736**
[22] Filed: **Jul. 16, 1993**
[52] U.S. Cl. **D34/21; D34/17**
[58] Field of Search **D34/17, 19, 20, 21, D34/22, 23, 12; 280/79.11, 79.3, 79.2; 211/49.1, 41**

D. 314,216 1/1991 Banko et al. D34/23
3,746,358 7/1973 Swick, Jr. et al. D34/17

Primary Examiner—Kay H. Chin
Attorney, Agent, or Firm—George F. Bethel; Patience K. Bethel

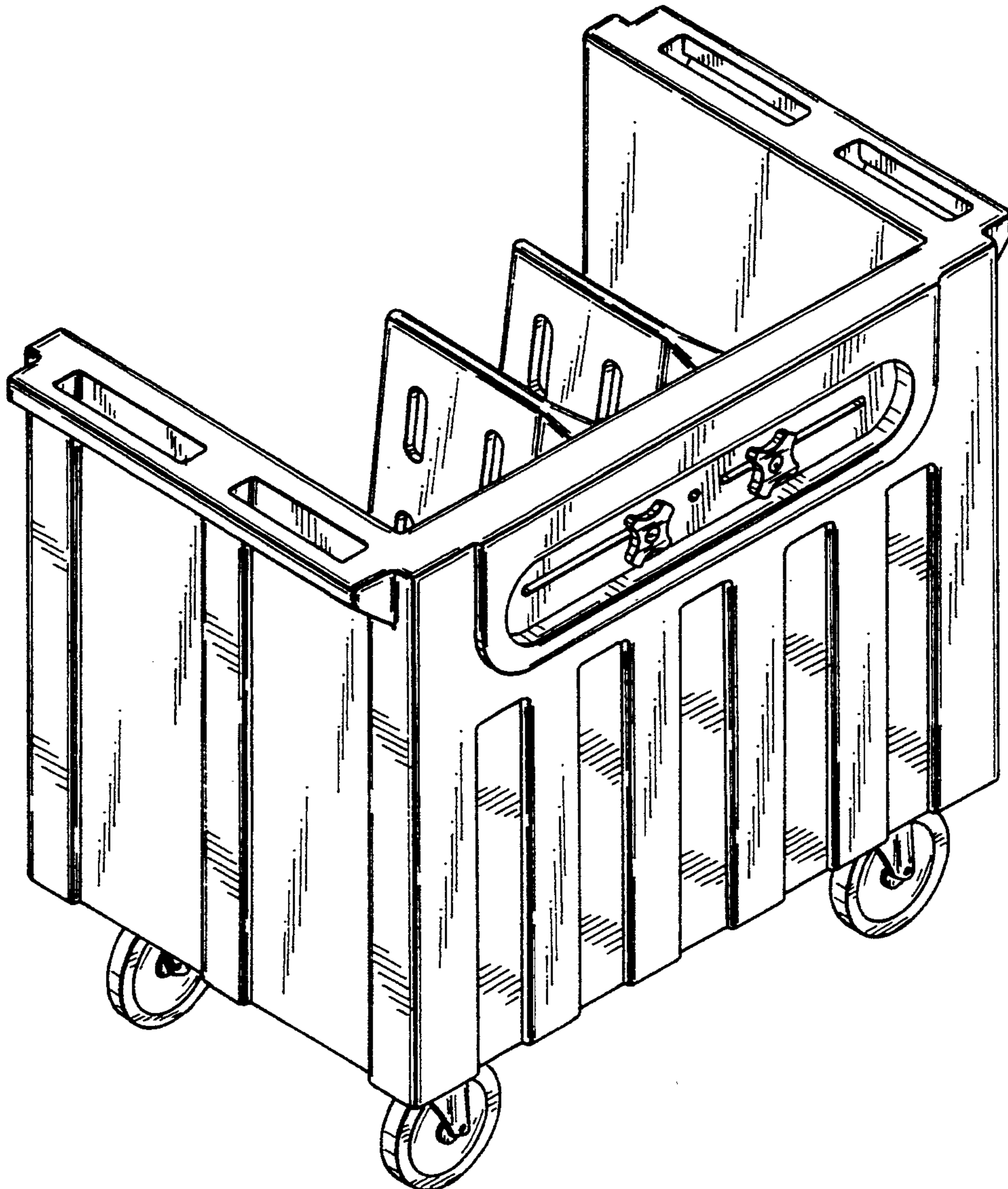
[57] CLAIM

The ornamental design for a tray and dish cart, as shown and described.

DESCRIPTION

FIG. 1 is a top and right side perspective view of a tray and dish cart showing my new design;
FIG. 2 is a right side elevational view thereof;
FIG. 3 is a front elevational view thereof;
FIG. 4 is a top plan view thereof;
FIG. 5 is a rear elevational view thereof;
FIG. 6 is a left side elevational view thereof; and,
FIG. 7 is a bottom plan view thereof.

[56] **References Cited**
U.S. PATENT DOCUMENTS
D. 304,634 11/1989 Banko et al. D34/21



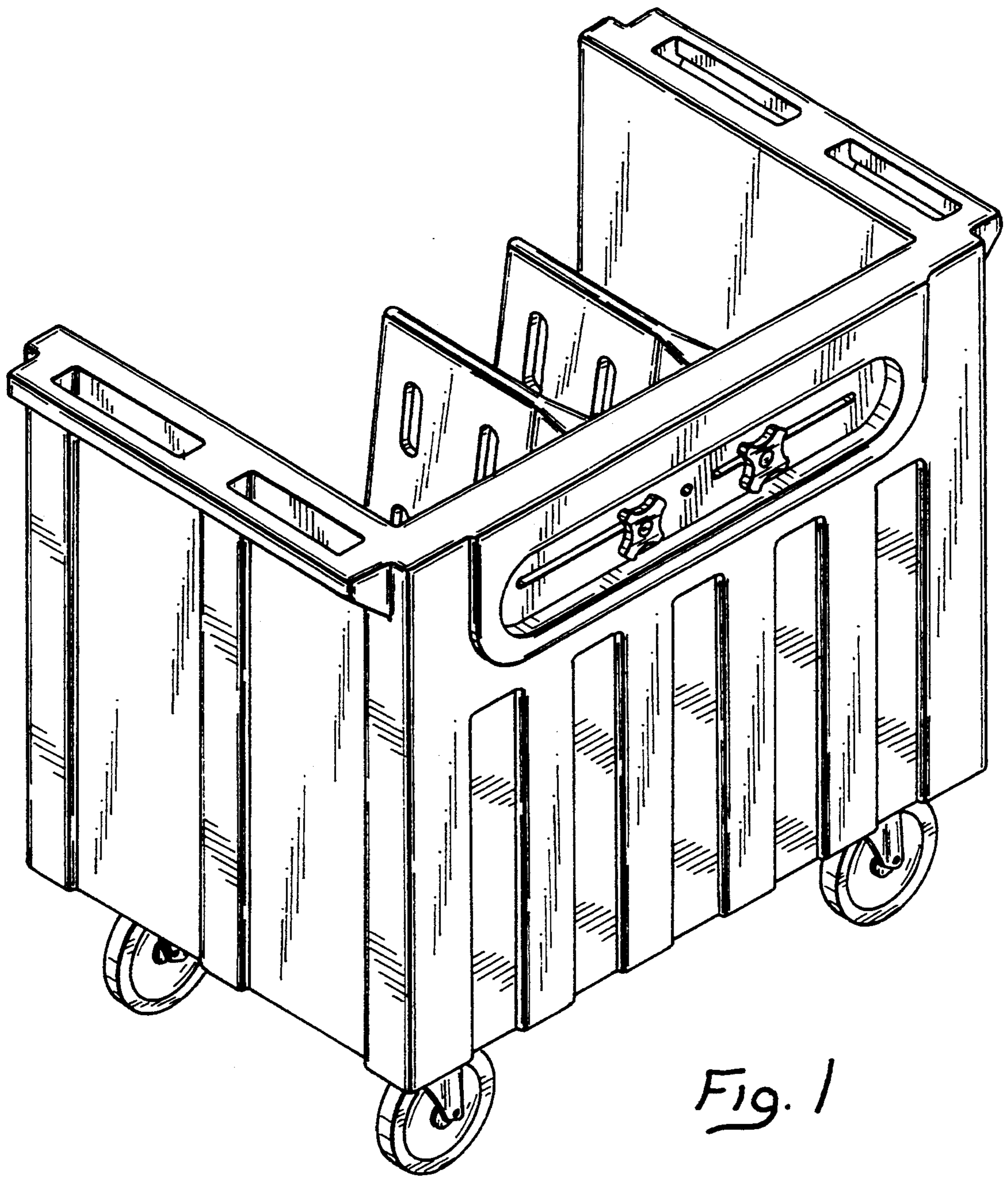


Fig. 2

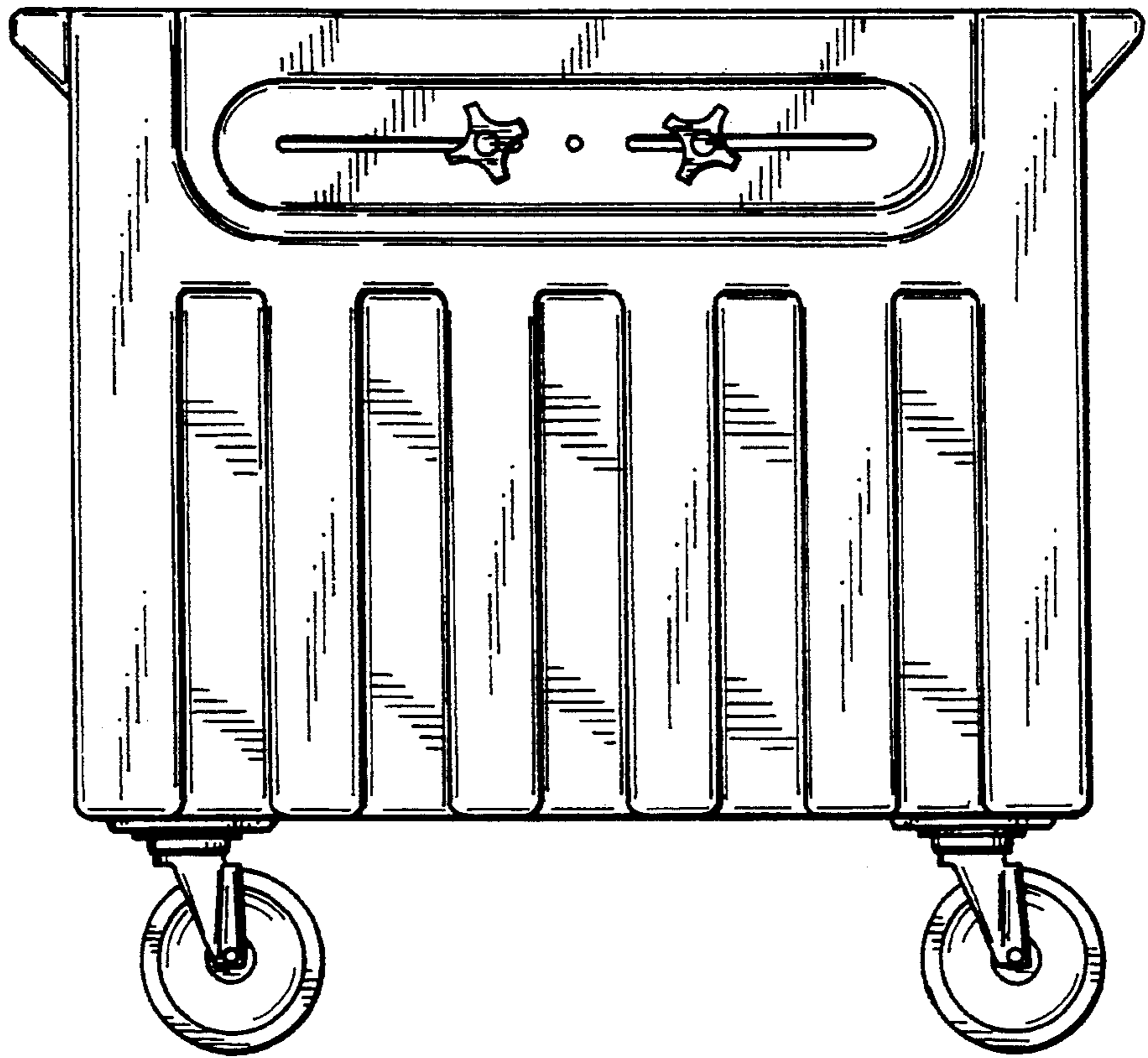


Fig. 3

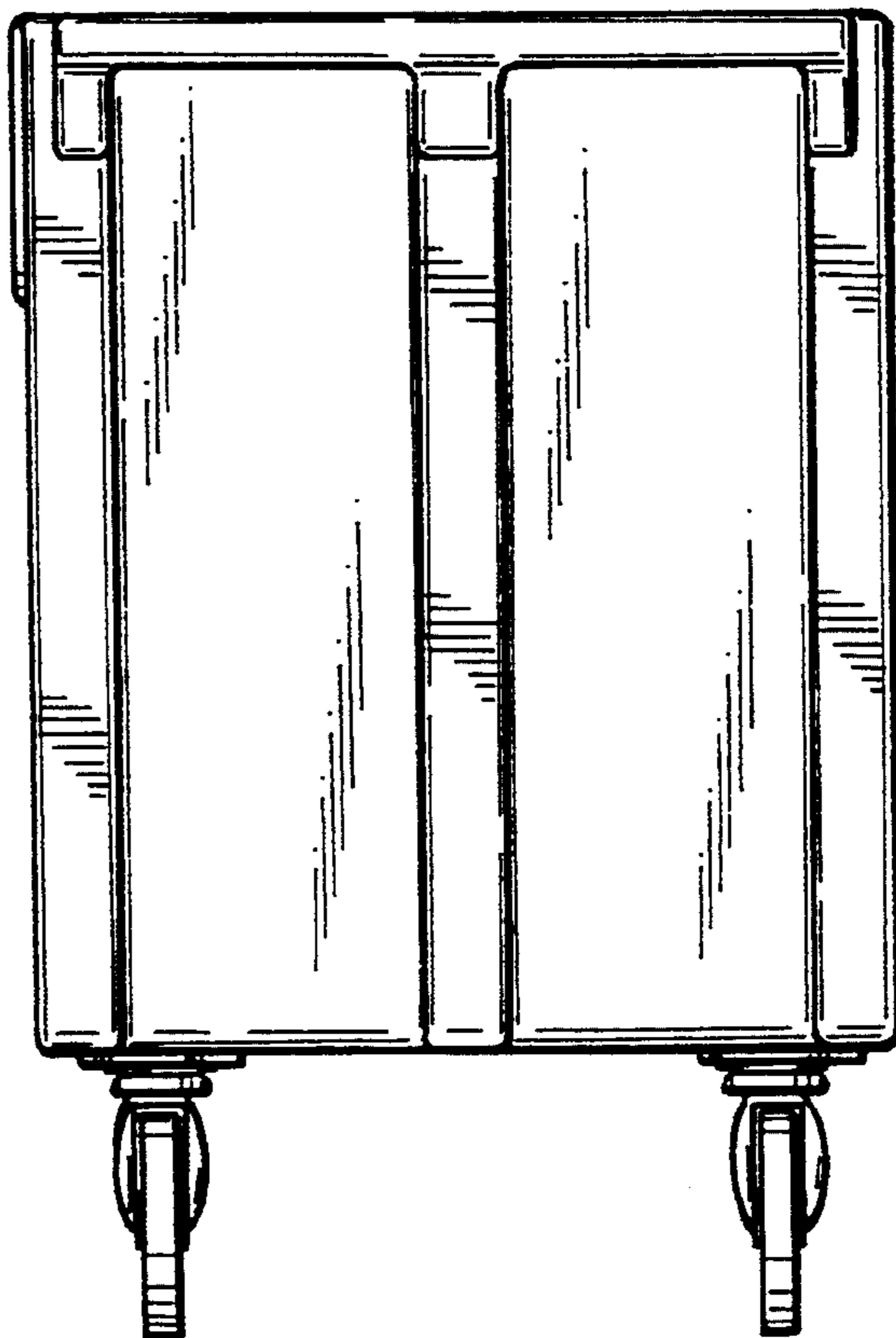


Fig. 6

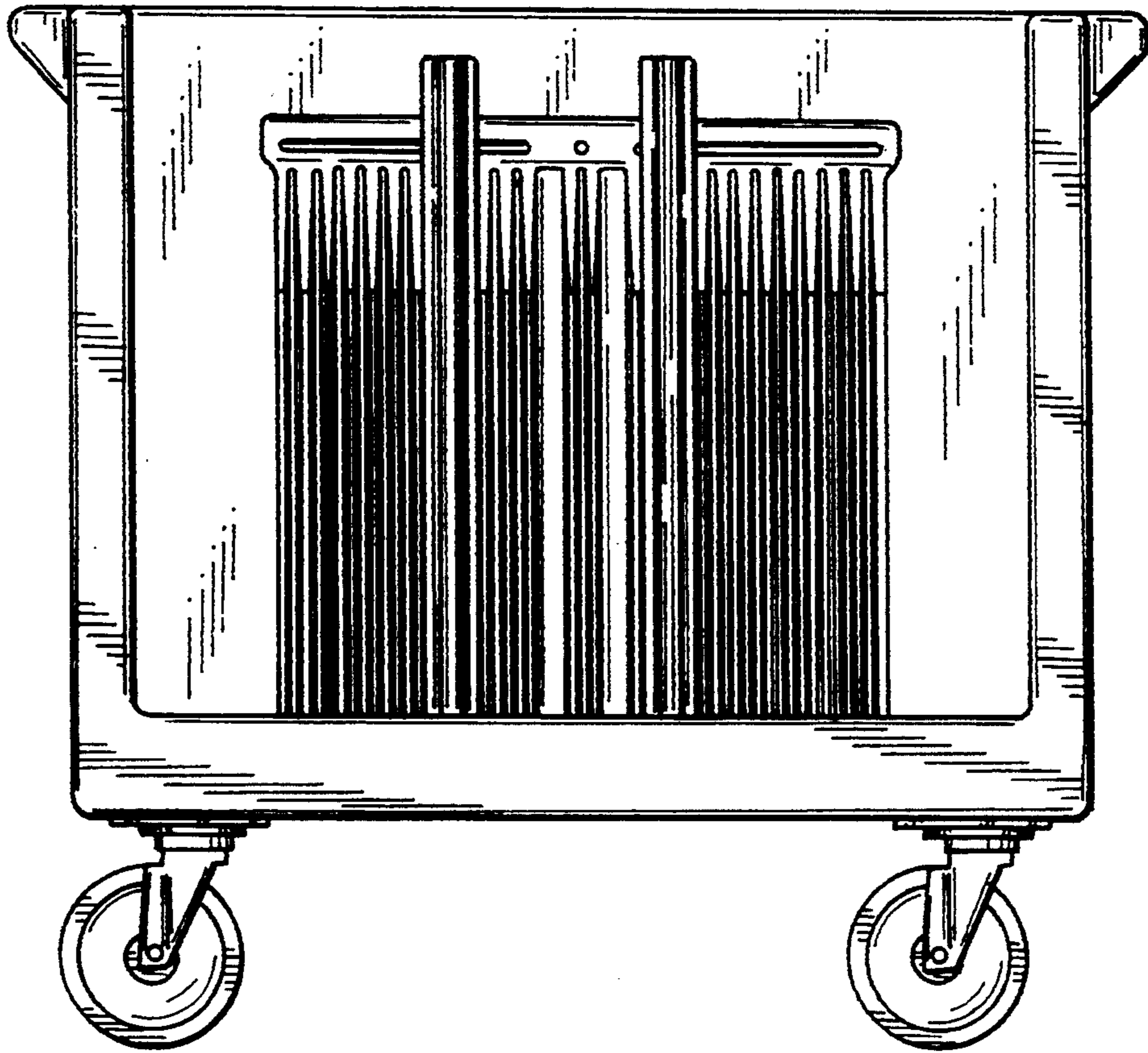


Fig. 4

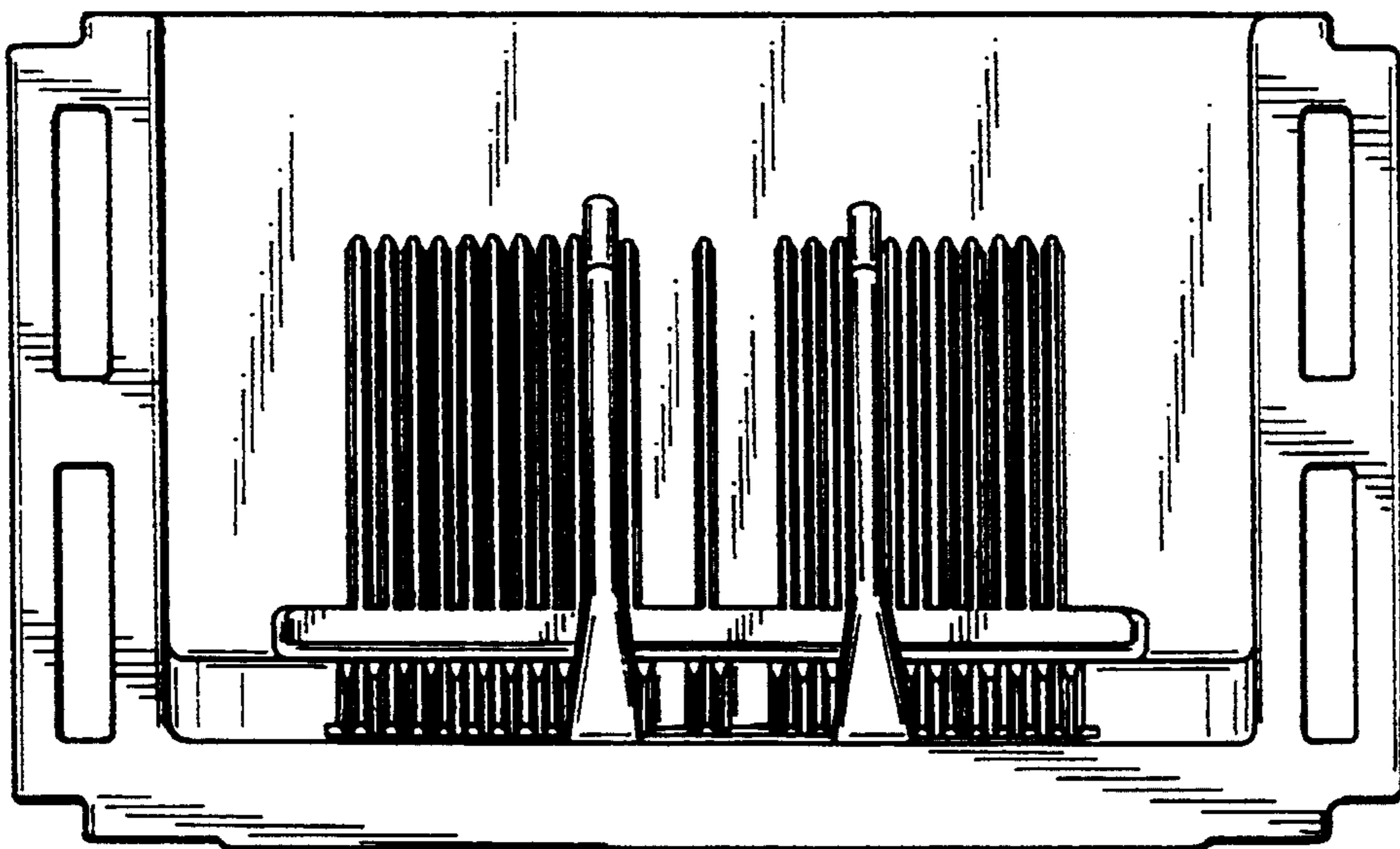


Fig. 5

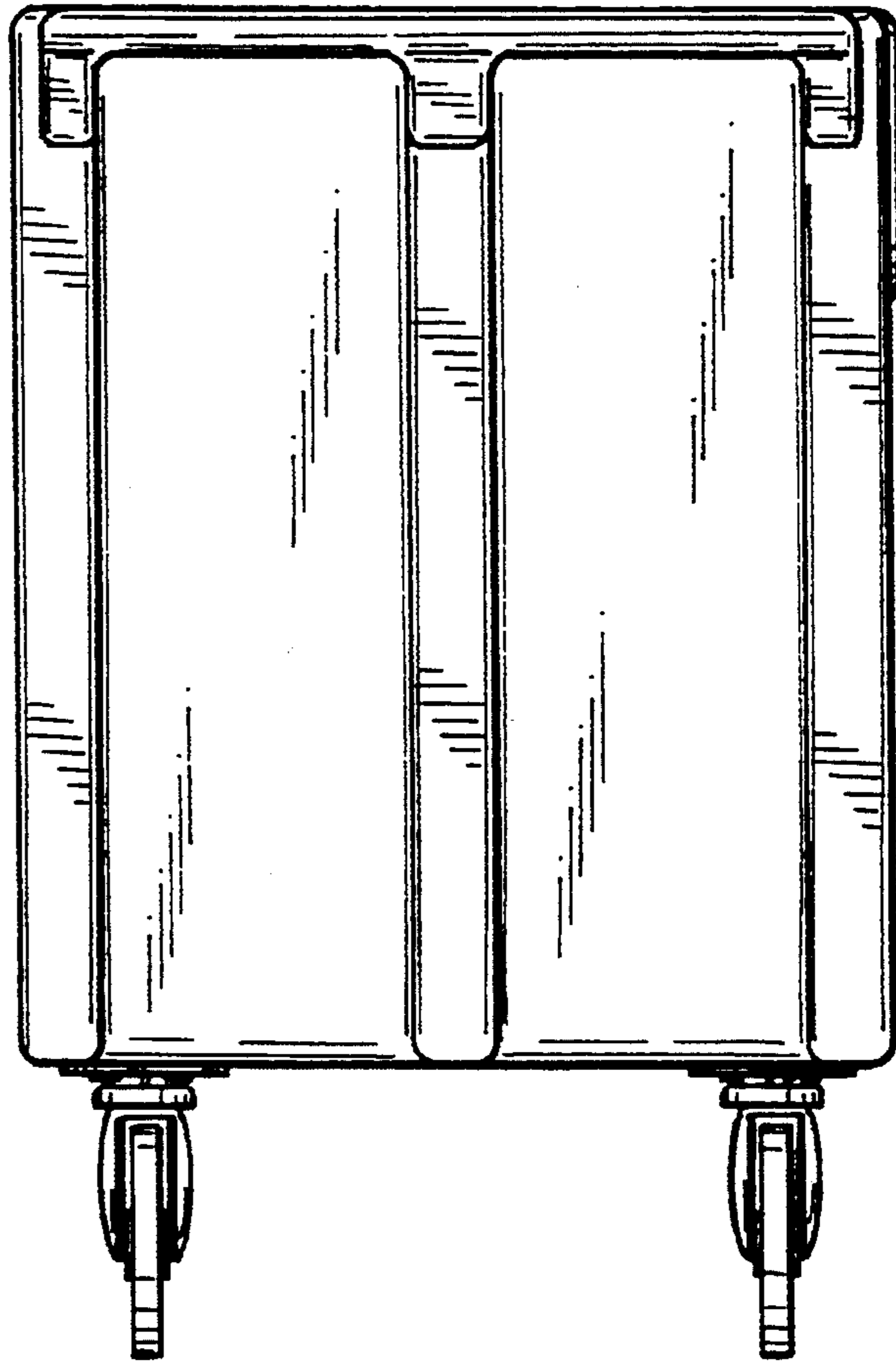


Fig. 7

