



US00D353926S

**United States Patent** [19]  
**Aguilar et al.**

[11] **Patent Number: Des. 353,926**  
[45] **Date of Patent: \*\* Dec. 27, 1994**

- [54] **DRAWING TRANSPORT CART**
- [75] **Inventors: Magalys Aguilar; Maria de la Luz Bonilla; Alice M. D. Halvorsen; Jacqueline D. Washington, all of Chicago, Ill.**
- [73] **Assignee: Fel-Pro Incorporated, Skokie, Ill.**
- [\*\*] **Term: 14 Years**
- [21] **Appl. No.: 4,125**
- [22] **Filed: Jan. 27, 1993**
- [52] **U.S. Cl. .... D34/21; D6/419; D6/414**
- [58] **Field of Search ..... D34/12, 17, 20, 21, D34/23; D6/413, 414, 473, 419; 280/47.34, 79.11; 211/128, 69.5**

- 2,896,789 7/1959 Sans et al. .... D6/413
- 4,765,494 8/1988 Avery ..... 211/128

*Primary Examiner*—Kay H. Chin

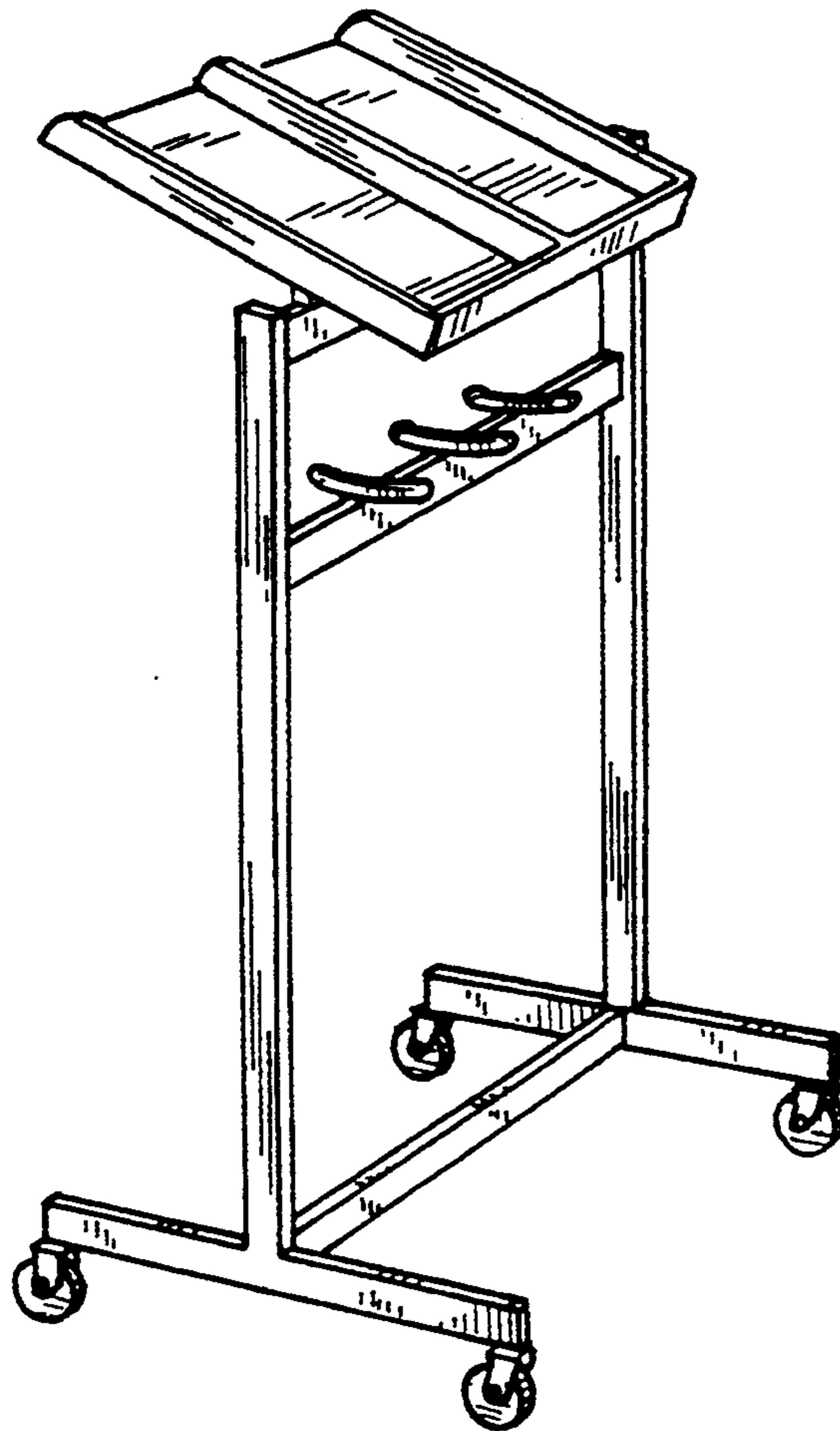
[57] **CLAIM**

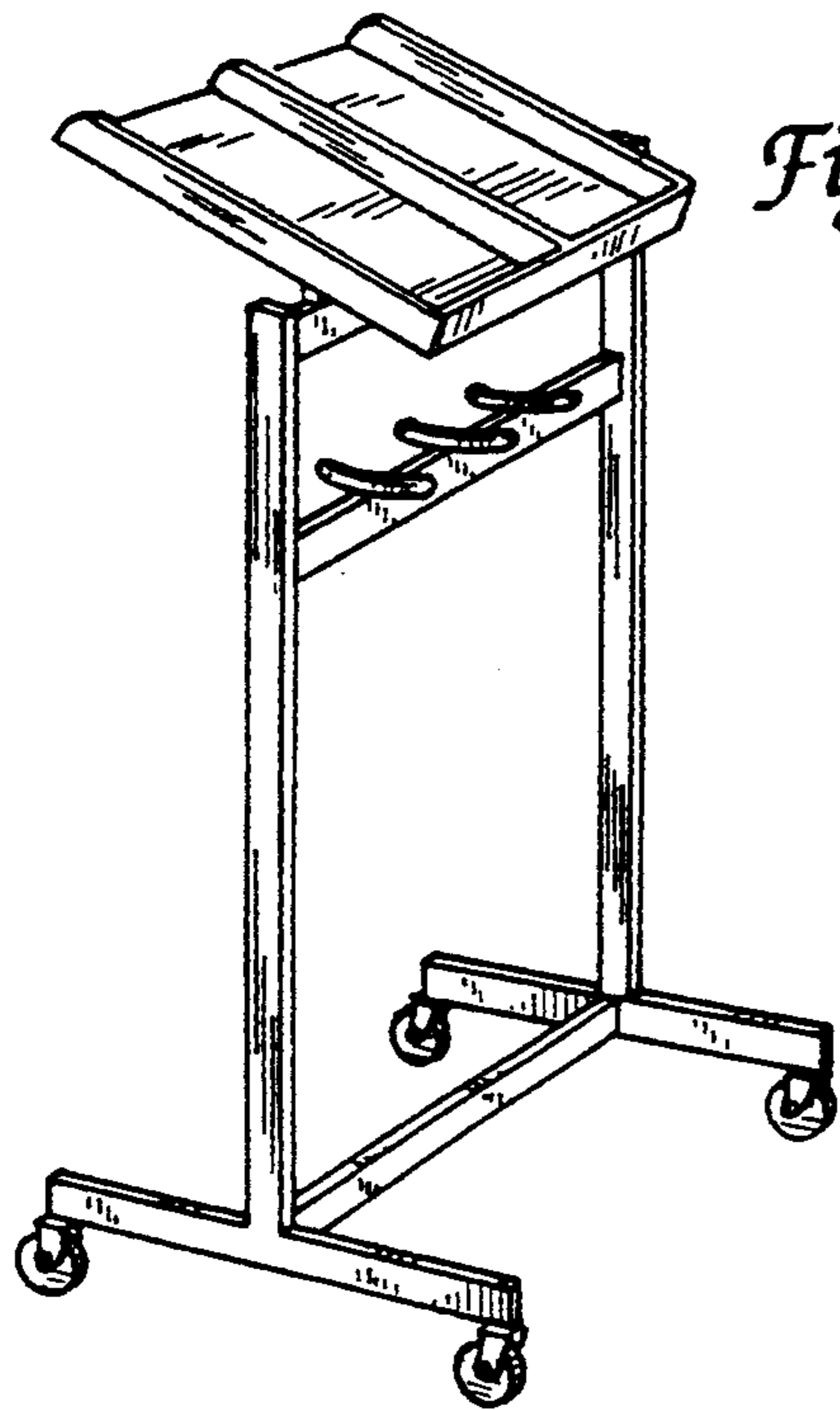
The ornamental design for a drawing transport cart, as shown and described.

**DESCRIPTION**

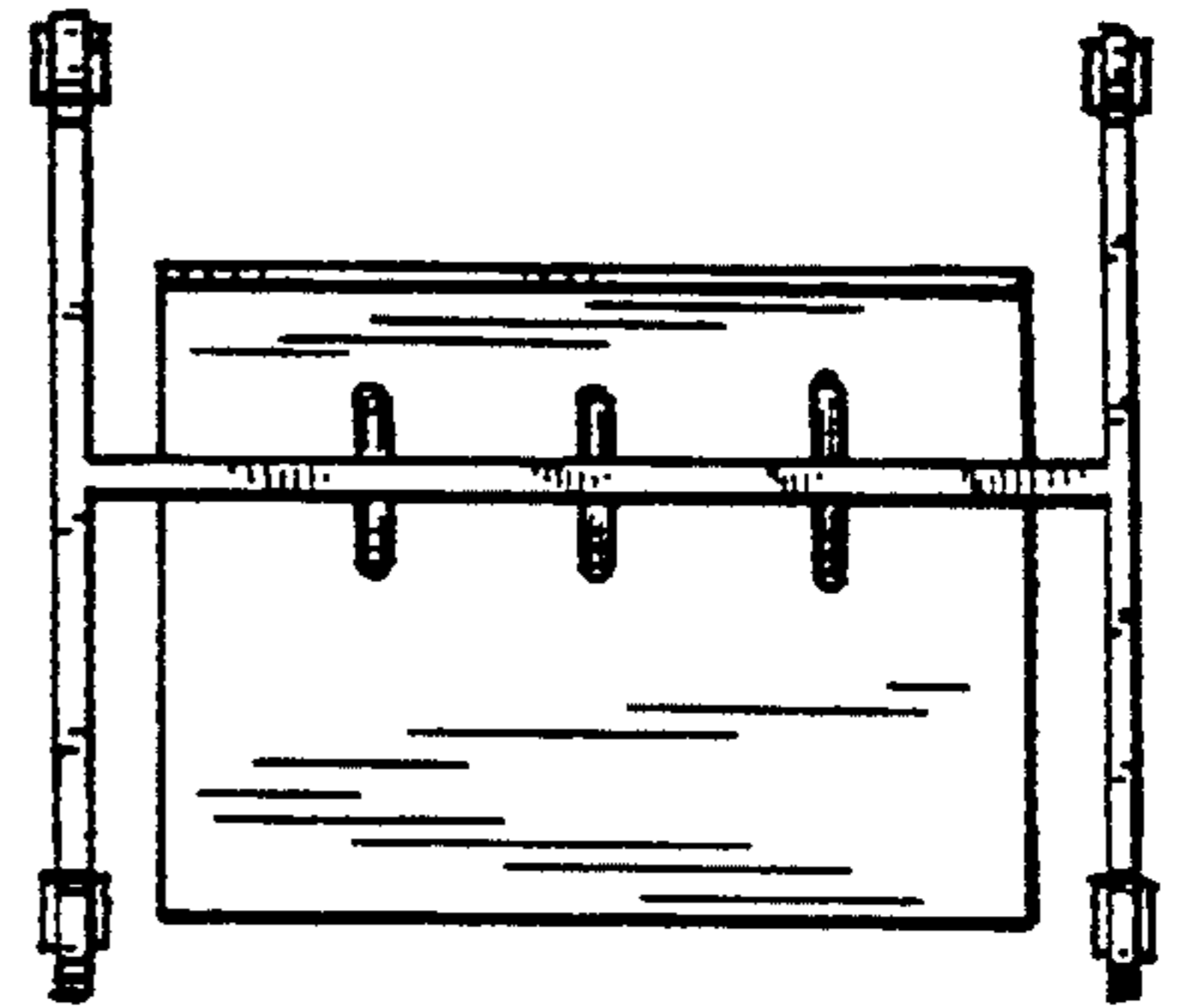
FIG. 1 is a perspective view of a drawing transport cart of this invention;  
 FIG. 2 is a front elevational view of the drawing transport cart of FIG. 1;  
 FIG. 3 is a side elevational view of the drawing transport cart of FIG. 1 with the other side being a mirror image thereof;  
 FIG. 4 is a rear elevational view of the drawing transport cart of FIG. 1;  
 FIG. 5 is a top plan view of the drawing transport cart of FIG. 1; and,  
 FIG. 6 is a bottom view of the drawing transport cart of FIG. 1.

- [56] **References Cited**
- U.S. PATENT DOCUMENTS**
- D. 286,831 11/1986 Matyear ..... D6/419

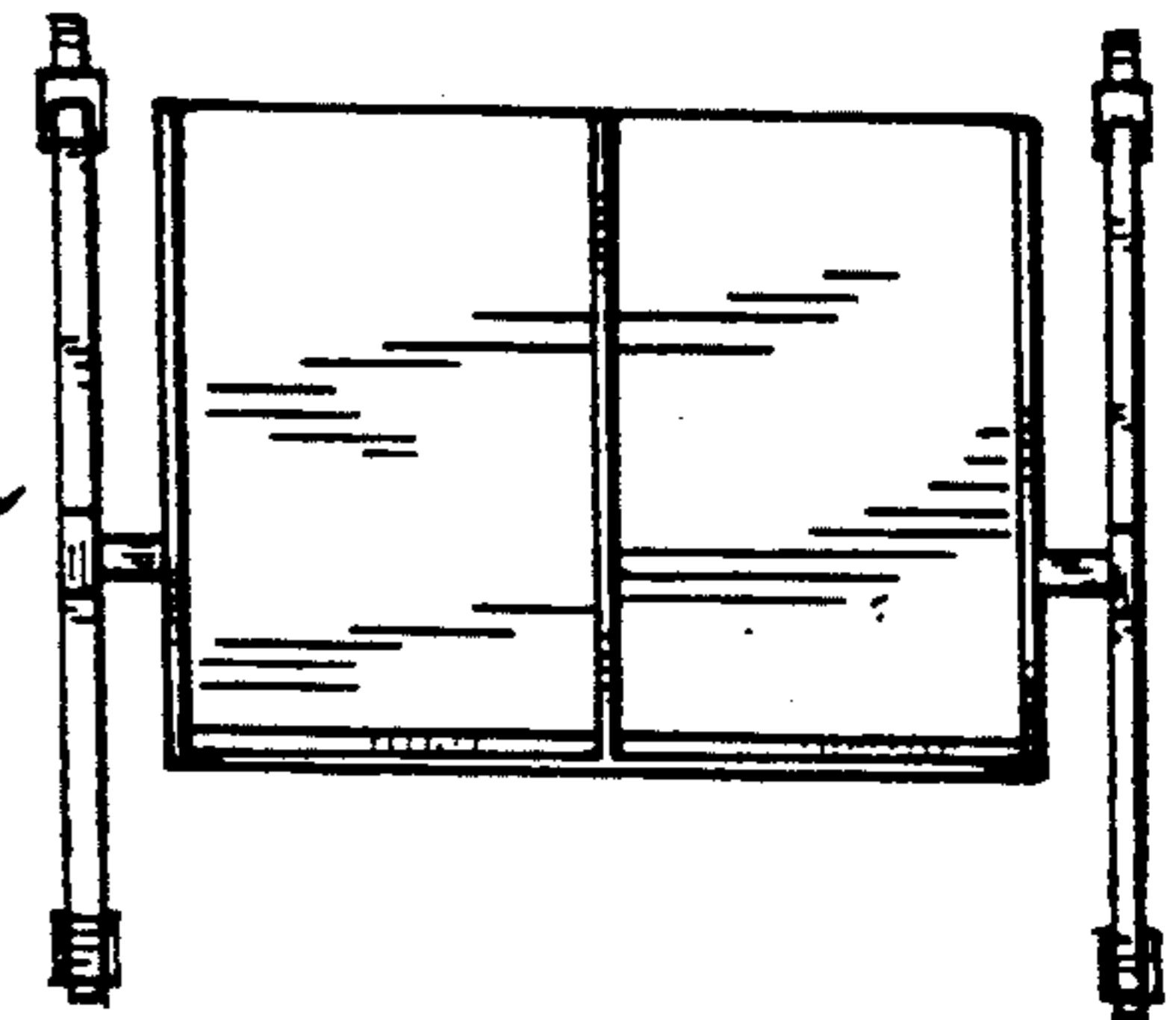




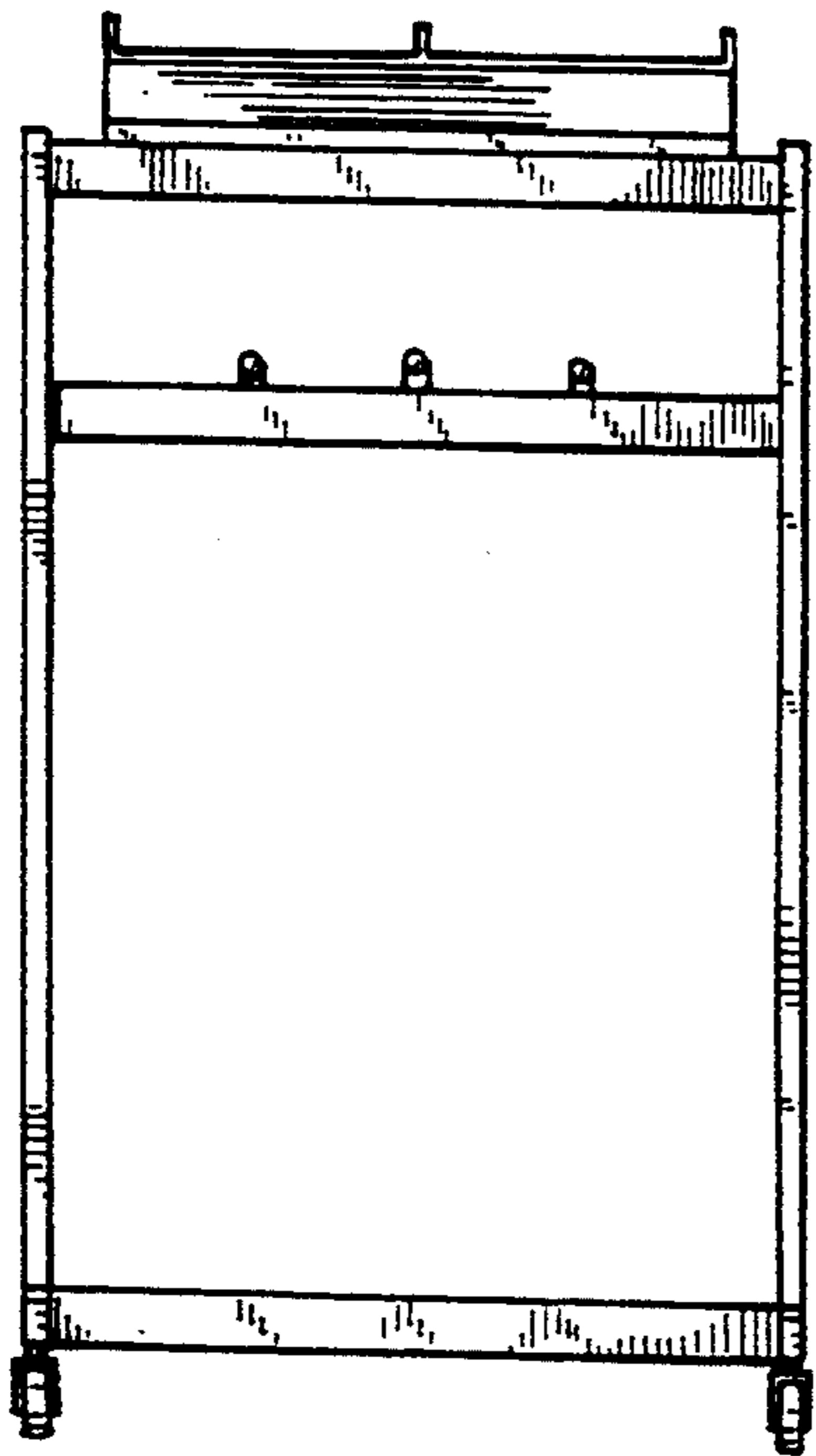
*Fig. 1*



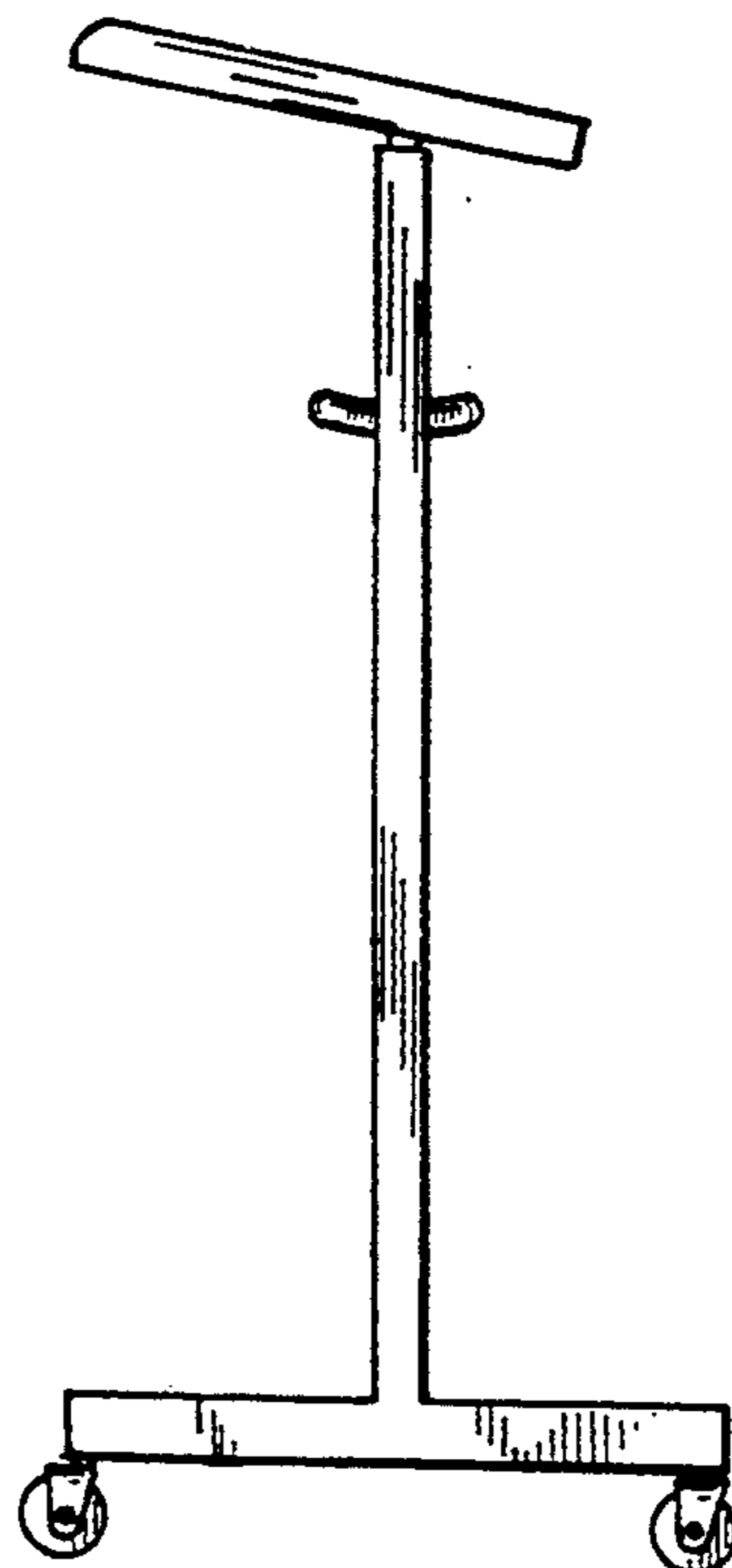
*Fig. 6*



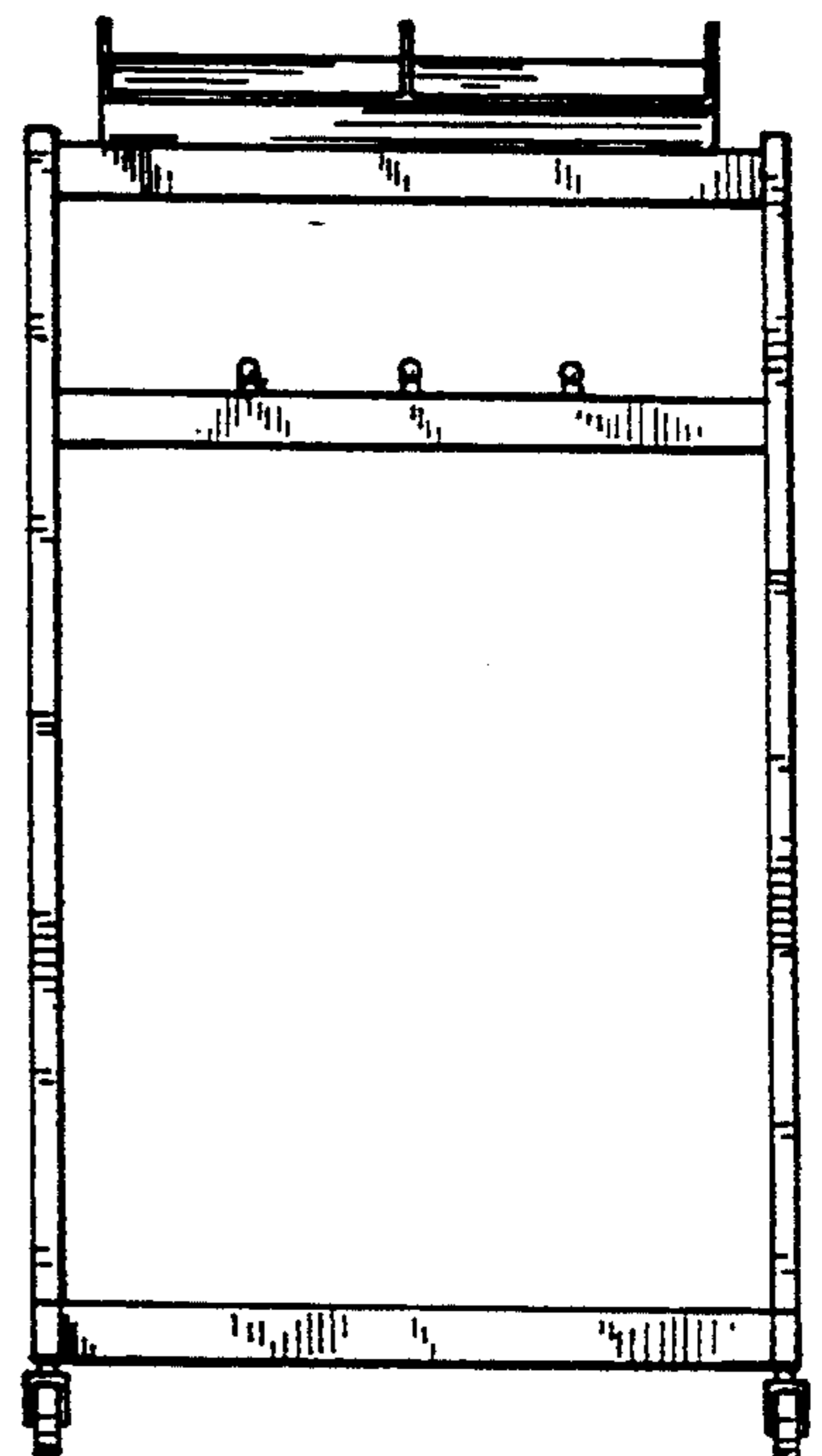
*Fig. 5*



*Fig. 4*



*Fig. 3*



*Fig. 2*