



US00D353925S

# United States Patent [19] Freedland

[11] Patent Number: **Des. 353,925**  
[45] Date of Patent: **\*\* Dec. 27, 1994**

[54] **LINER RETAINING TRASH RECEPTACLE**  
[76] Inventor: **Darryle Freedland**, 2110 NE. 23rd  
Ct., North Miami Beach, Fla. 33180  
[\*\*] Term: **14 Years**  
[21] Appl. No.: **9,019**  
[22] Filed: **Jun. 3, 1993**  
[52] U.S. Cl. .... **D34/1**  
[58] Field of Search ..... D34/1, 1.1, 4, 6-9,  
D34/11; D32/37, 53; 220/675, 908-911, 23.2,  
23.4, DIG. 12, DIG. 14, 500, 553, 555; 232/1  
E, 1 B, 43.2

4,228,916 10/1980 Weingardt .  
4,955,497 9/1990 Winden et al. .... 220/908  
5,119,960 6/1992 Robbins ..... 220/908  
5,160,063 11/1992 Bailey .

### FOREIGN PATENT DOCUMENTS

105069 6/1958 Netherlands .

*Primary Examiner*—Wallace R. Burke  
*Assistant Examiner*—Robin V. Taylor  
*Attorney, Agent, or Firm*—Sixbey, Friedman, Leedom &  
Ferguson

### CLAIM

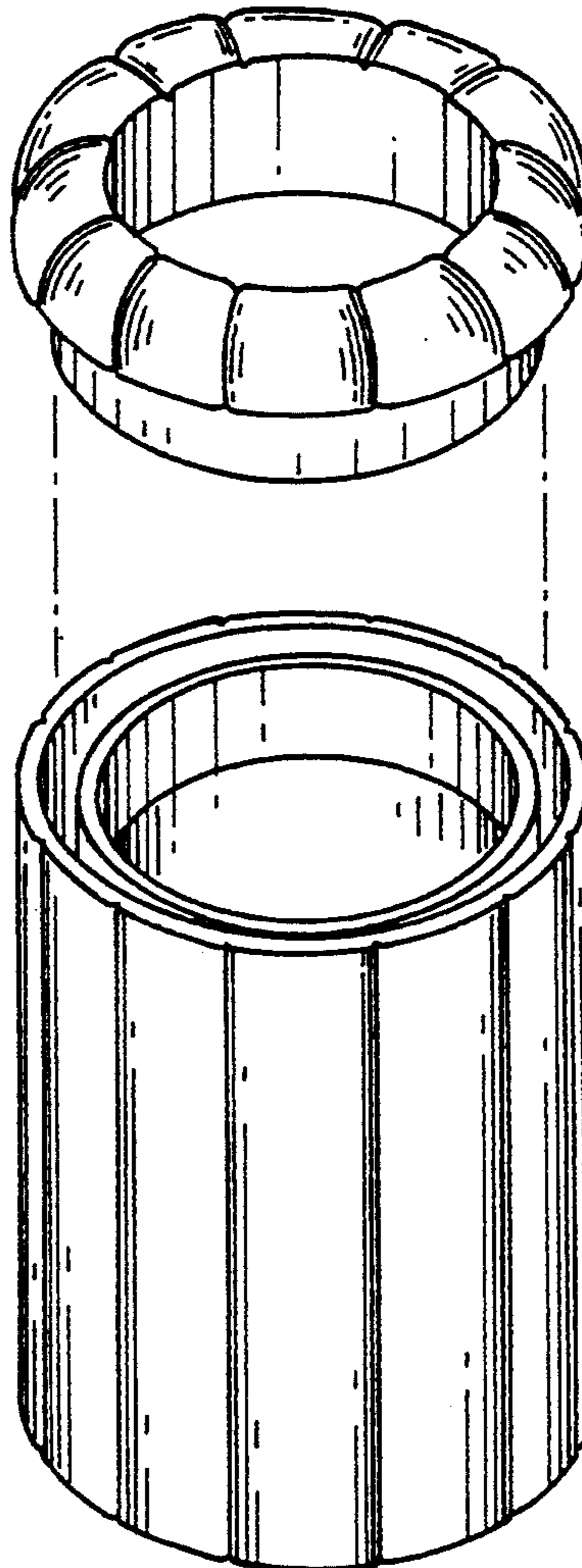
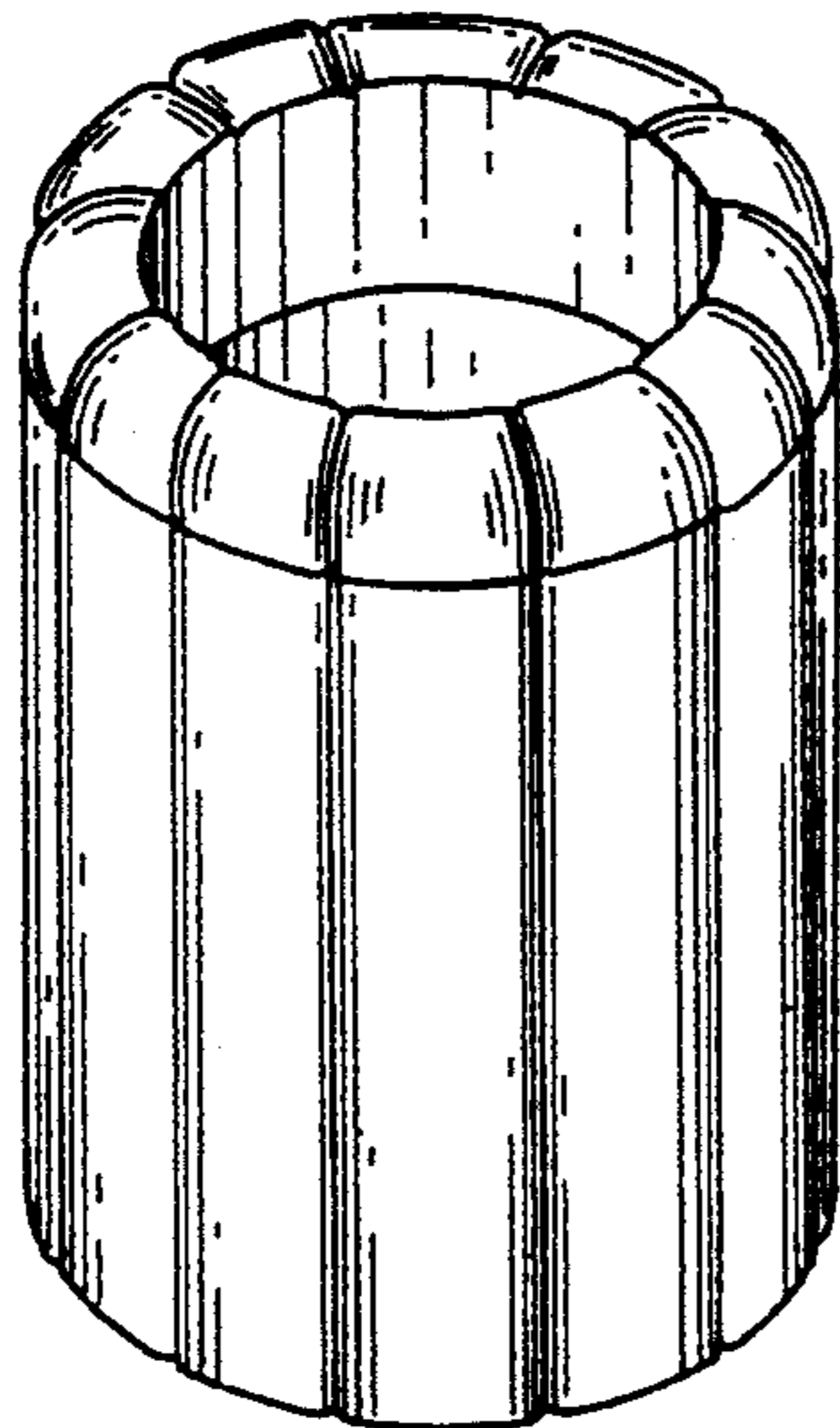
[57] The ornamental design for a liner retaining trash recep-  
tacle, as shown and described.

### DESCRIPTION

FIG. 1 is a perspective view of a liner retaining trash  
receptacle showing my new design;  
FIG. 2 is a top plan view thereof;  
FIG. 3 is a side elevational view thereof; the opposite  
side being a mirror image;  
FIG. 4 is a bottom plan view thereof; and,  
FIG. 5 is an exploded perspective view thereof.

### [56] References Cited U.S. PATENT DOCUMENTS

Re. 29,898 2/1979 Wheeler .  
D. 299,773 2/1989 Kracke ..... D34/7  
D. 315,625 3/1991 Hallinan ..... D34/1  
D. 328,510 8/1992 Brusing ..... D34/1  
D. 332,677 1/1993 Samelson ..... D34/4  
D. 343,709 1/1994 Doty et al. .... D34/1  
606,838 7/1898 Heins .



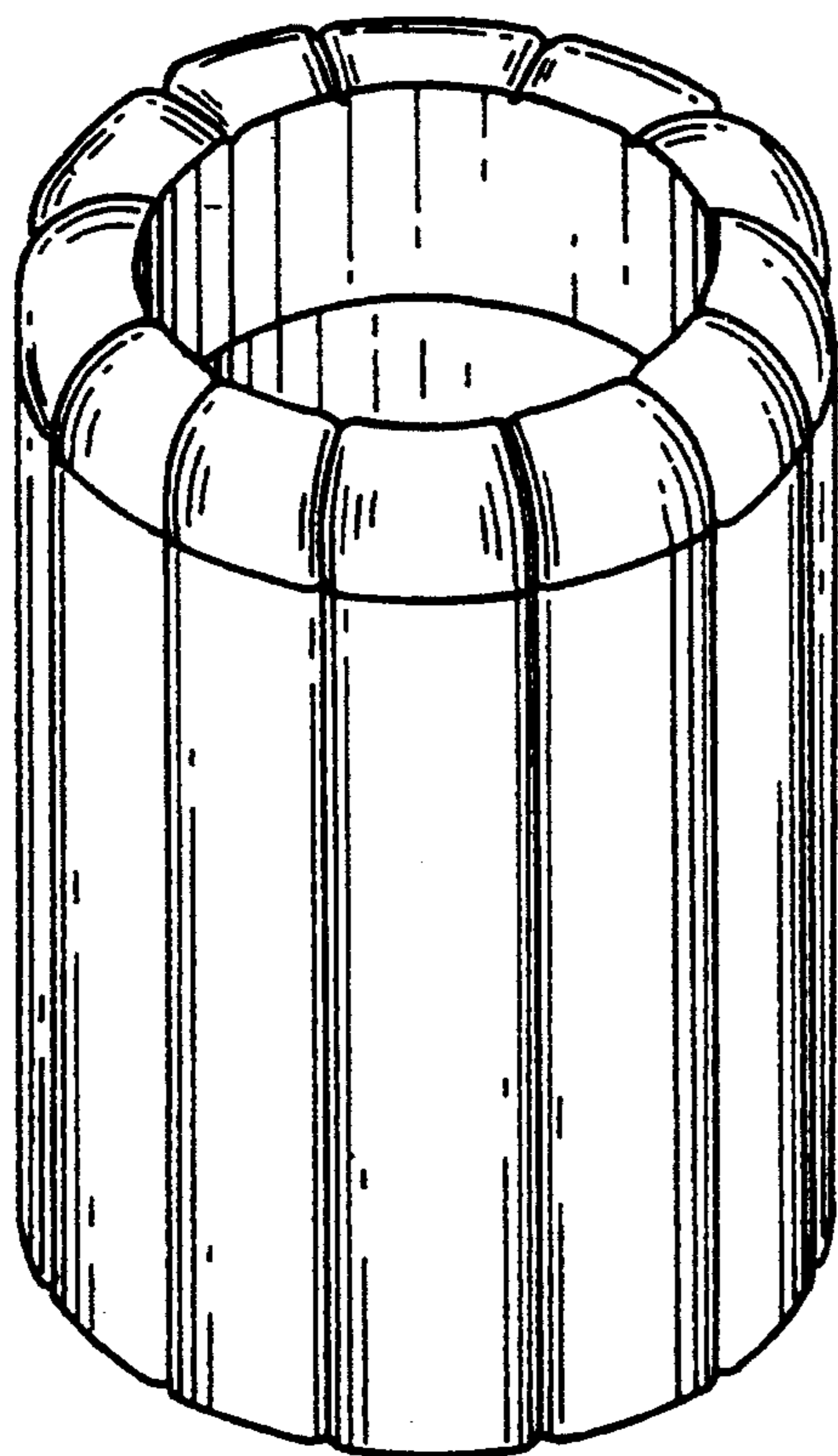


FIG. 1

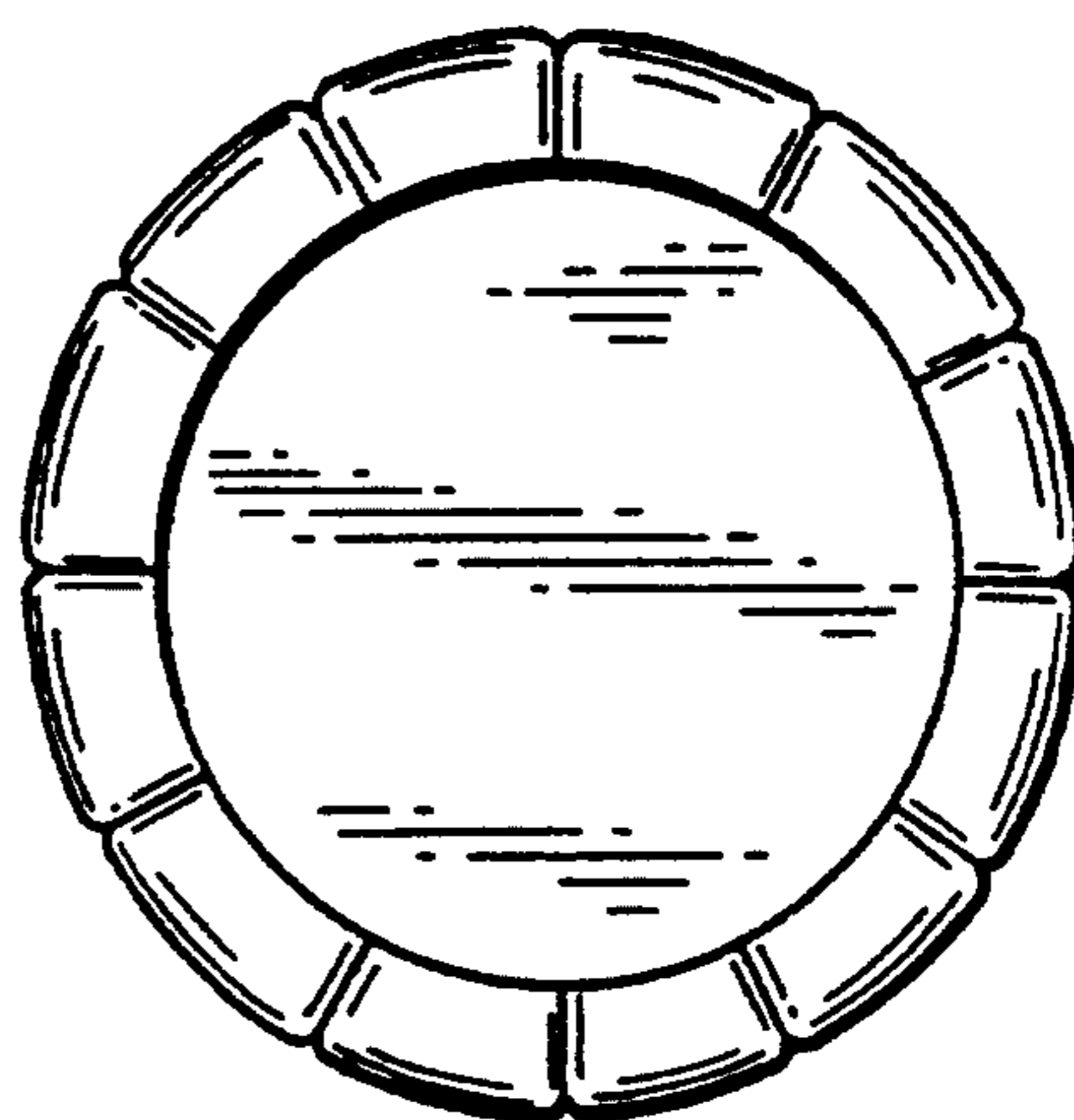


FIG. 2

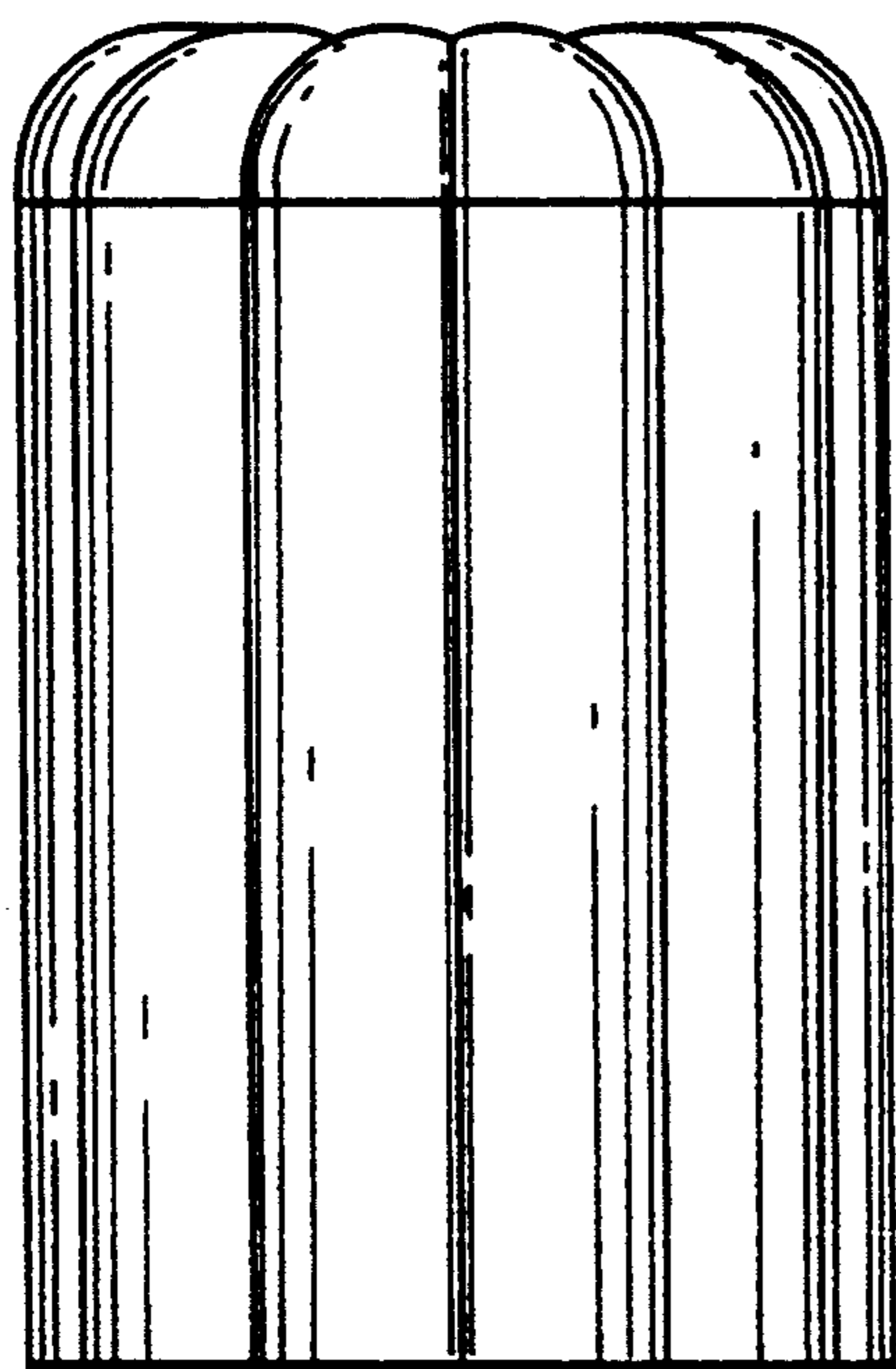


FIG. 3

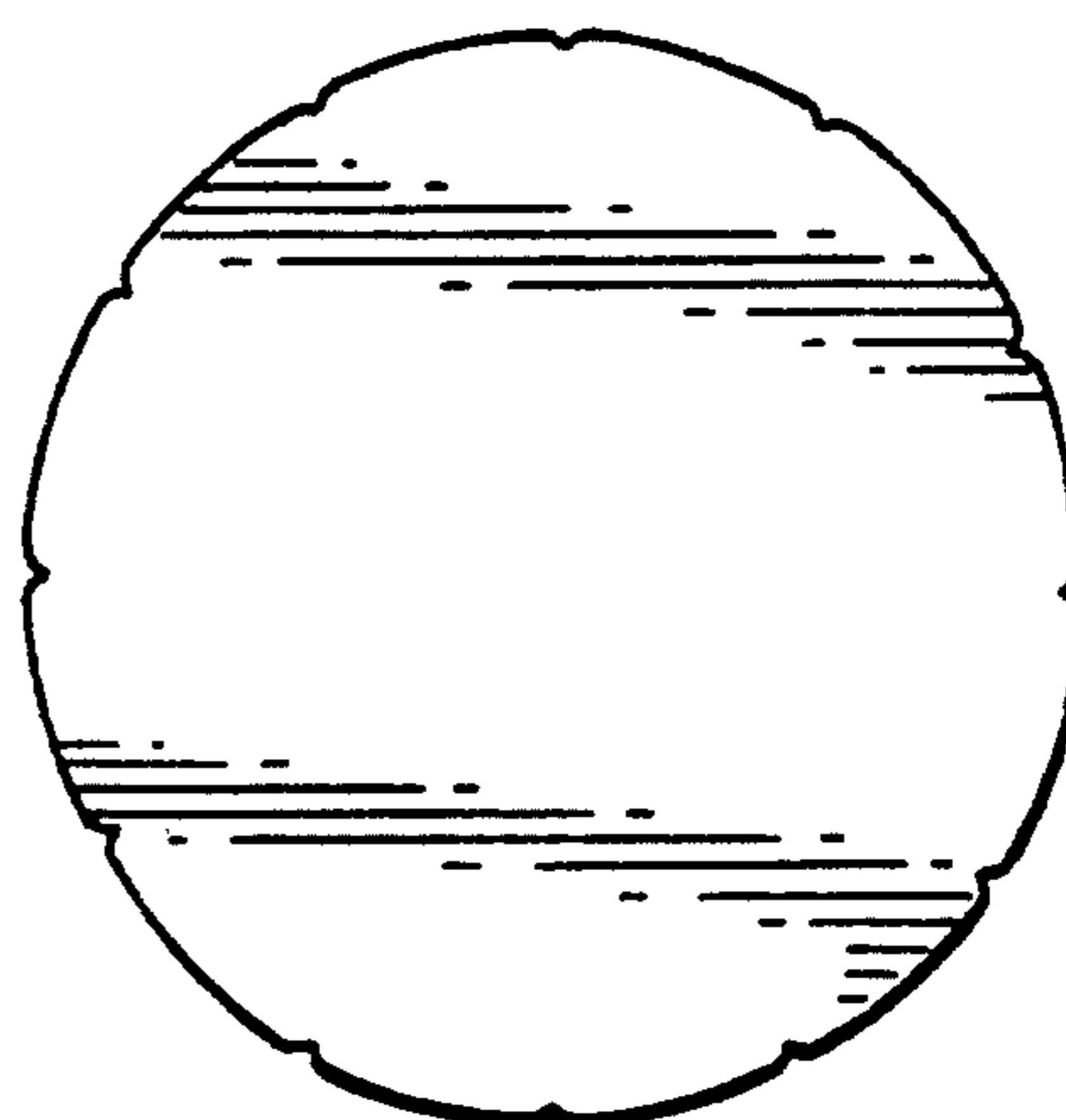


FIG. 4

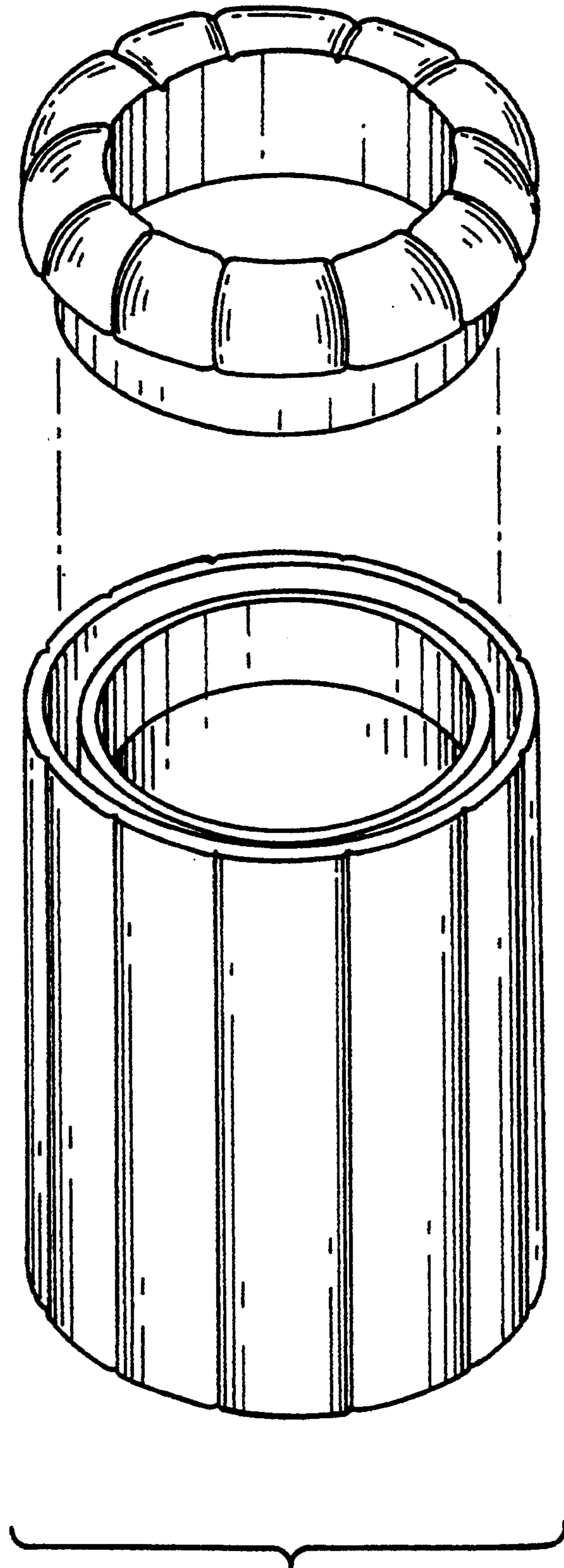


FIG. 5