



US00D353921S

United States Patent [19]

[11] Patent Number: Des. 353,921

Lippisch et al.

[45] Date of Patent: ** Dec. 27, 1994

[54] **COMBINED DISH RACK AND DRAIN BOARD**

[75] Inventors: **Hangwind F. Lippisch**, Fitchburg;
Cory J. Kruger, Winchendon, both of Mass.

[73] Assignee: **Sterilite Corporation**, Townsend, Mass.

[**] Term: **14 Years**

[21] Appl. No.: **724,958**

[22] Filed: **Jul. 2, 1991**

[52] U.S. Cl. **D32/55**

[58] Field of Search **D32/55-57;**
211/41, 126; 4/637, 656-657; 108/16, 24;
220/571-572, 487-488

[56] **References Cited**

U.S. PATENT DOCUMENTS

- D. 173,711 12/1954 Roop D32/55
- D. 188,864 9/1960 Stansbury, Jr. et al. D32/55
- D. 212,301 9/1968 Taylor D32/55

OTHER PUBLICATIONS

Focus on Value, Rubbermaid, pp. 2 and 24 and 25. Sinkware ©1988.
Transco Housewares, Sinkware. 2 pages. Publication date unknown.

Curver, Kunststoff in Bestform, 1991. Sinkware items 5799 and 5792.

Rubbermaid, 1991. Sinkware p. 14.

Tucker Housewares, prior to Jul. 2, 1991. Sinkware pp. 16-18.

Sterilite ® sell sheets prior to Jul. 2, 1991. Sinkware & Utility Basins.

FREM, 1991. Dishdrainer, Item No. 600.

Primary Examiner—Wallace R. Burke

Assistant Examiner—Lavone D. Tabor

Attorney, Agent, or Firm—Donald Brown

[57] **CLAIM**

The ornamental design for a combined dish rack and drain board, as shown and described.

DESCRIPTION

FIG. 1 is a perspective of the top, side and one end of a basket and pan showing our new design;

FIG. 2 is a top plan view thereof;

FIG. 3 is an end elevational view thereof;

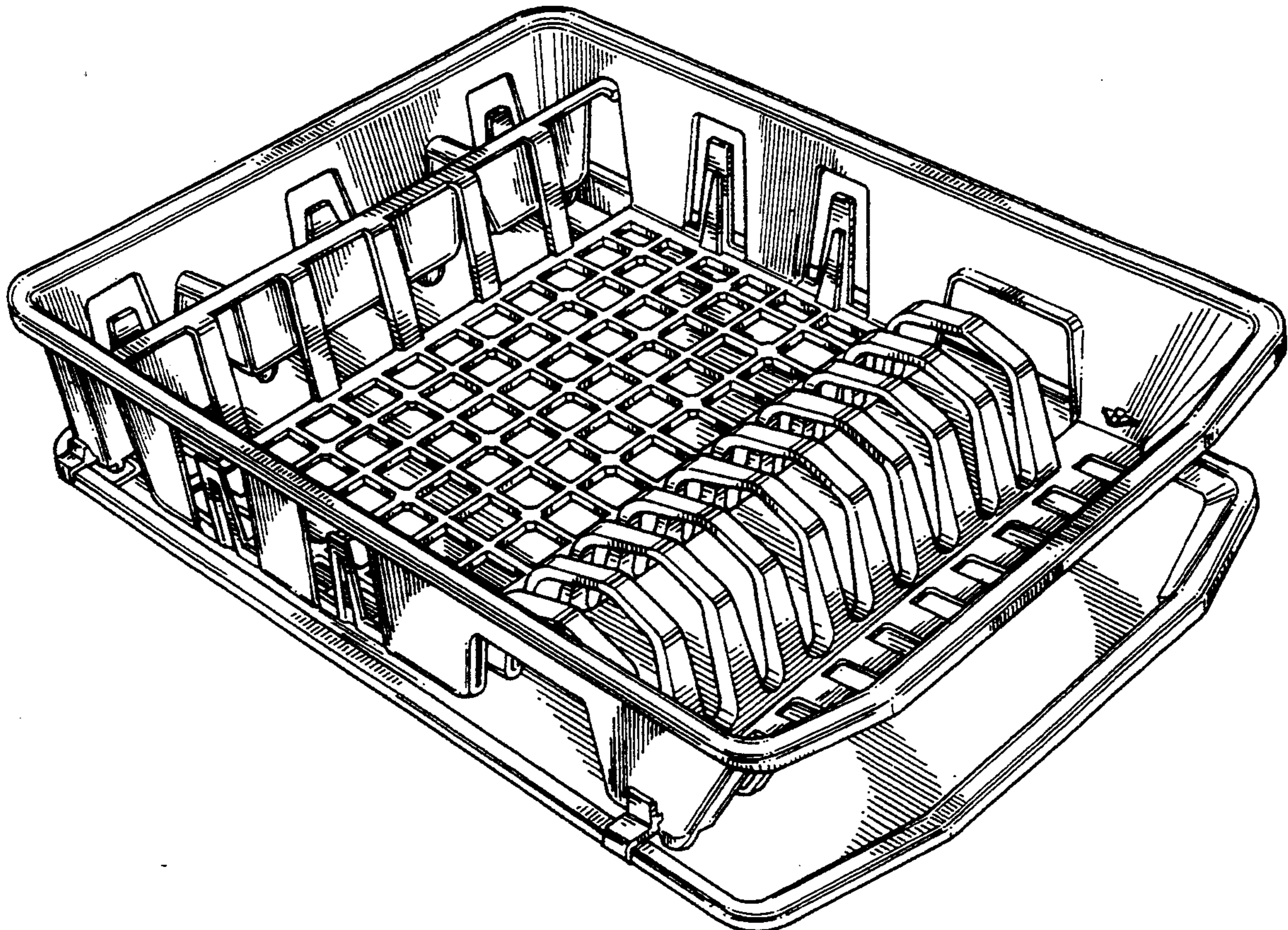
FIG. 4 is an opposite end elevational view thereof;

FIG. 5 is a side elevational view thereof, both sides being mirror images;

FIG. 6 is a bottom plan view thereof;

FIG. 7 is a top plan view of the drain board shown separately for clarity of illustration only; and,

FIG. 8 is a bottom plan view of the dish rack shown separately for clarity of illustration only.



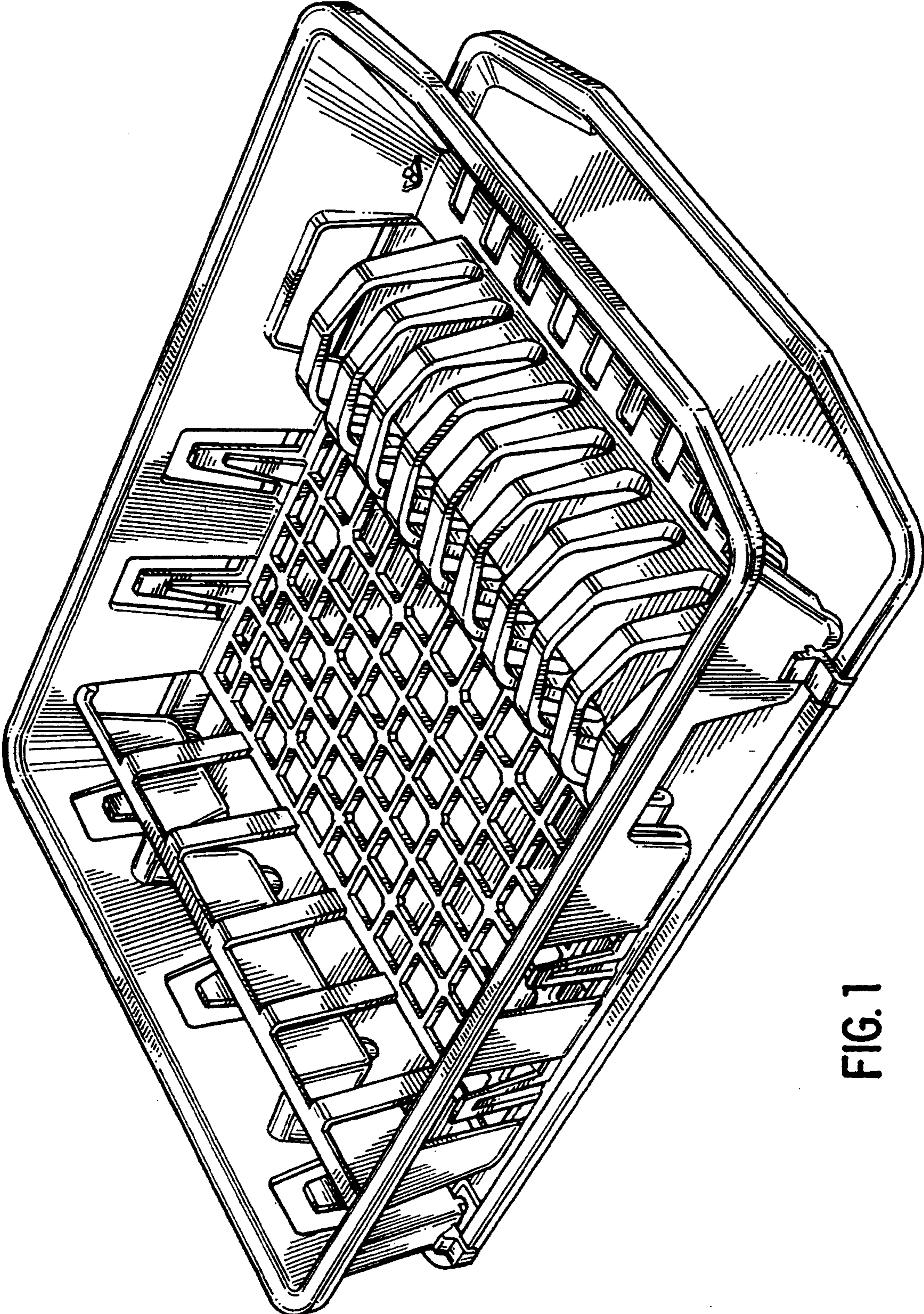


FIG. 1

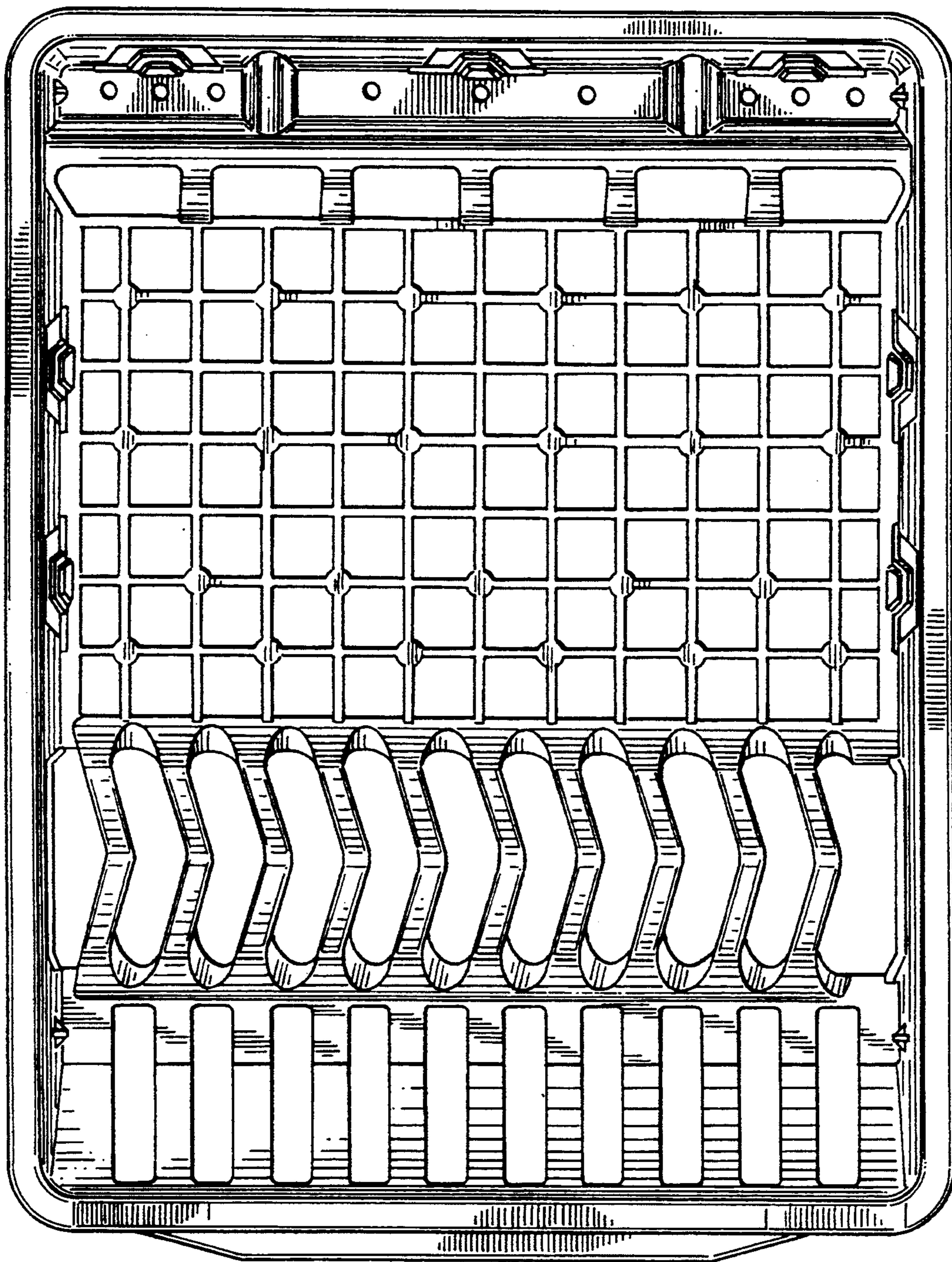


FIG. 2

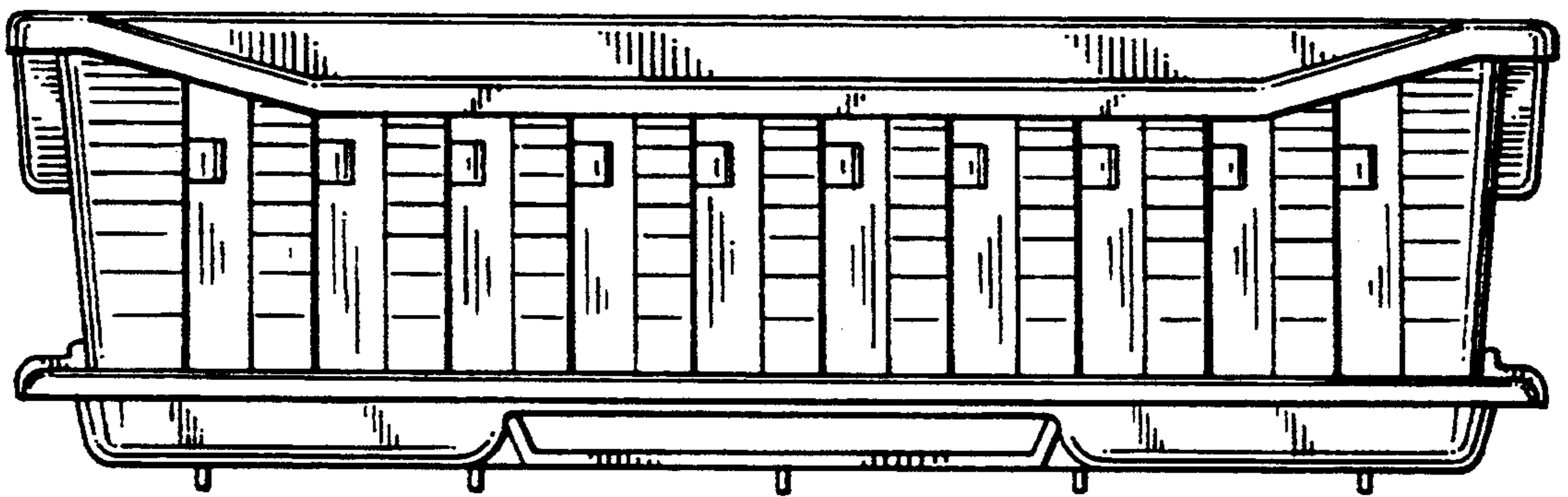


FIG. 3

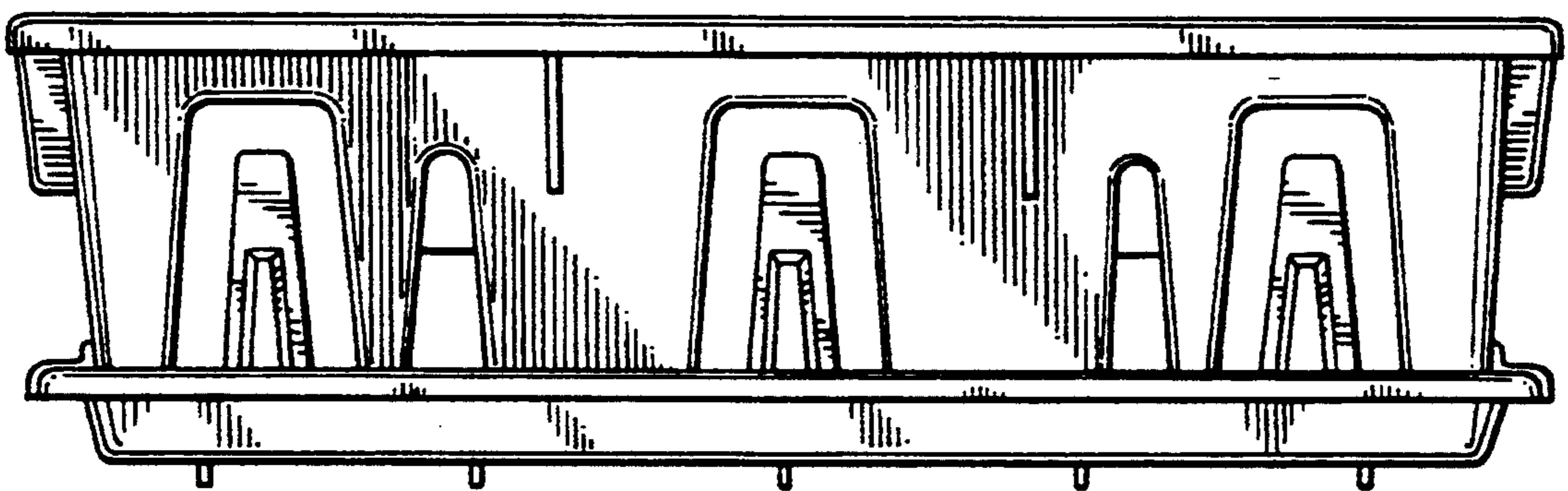


FIG. 4

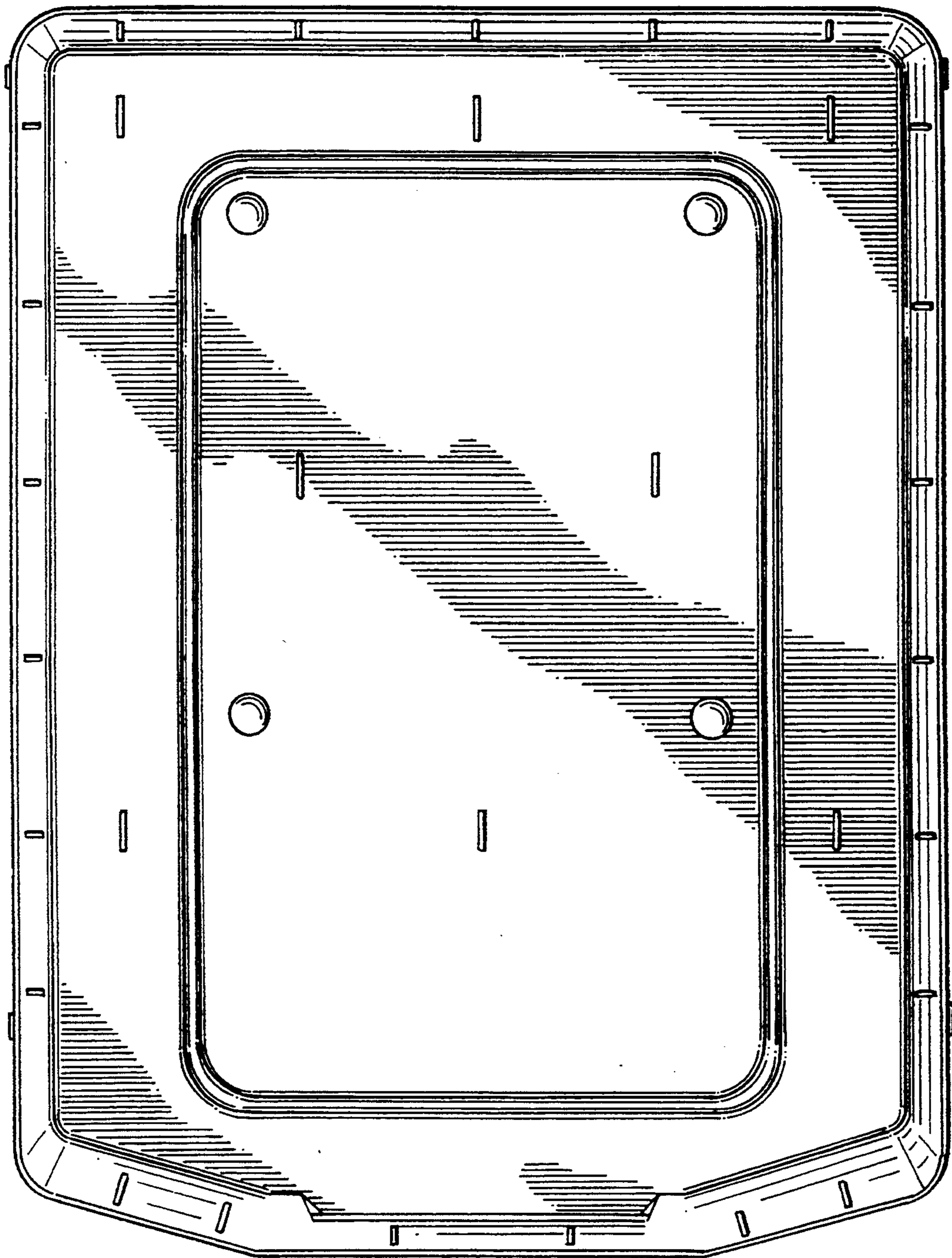


FIG. 6

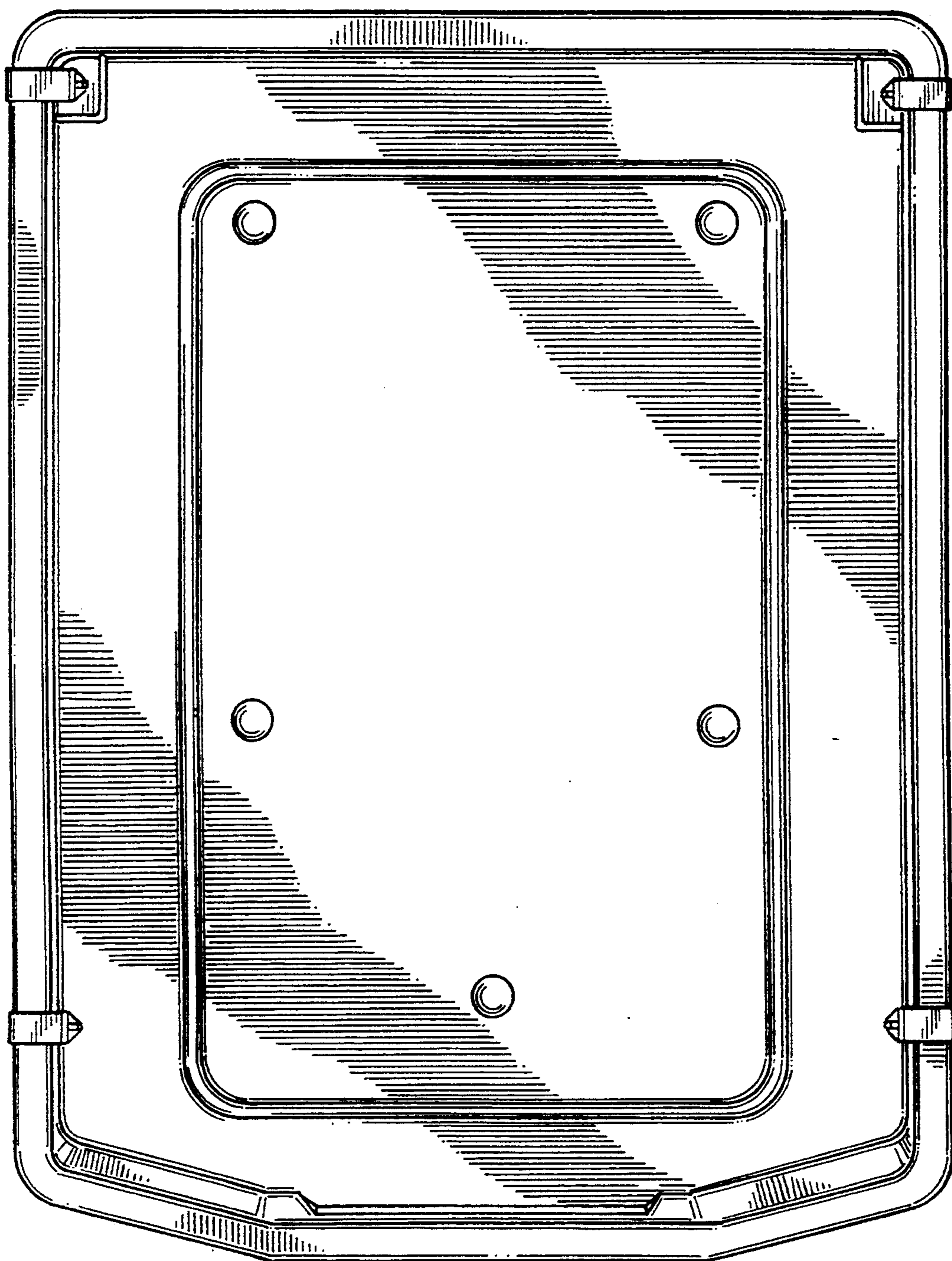


FIG. 7

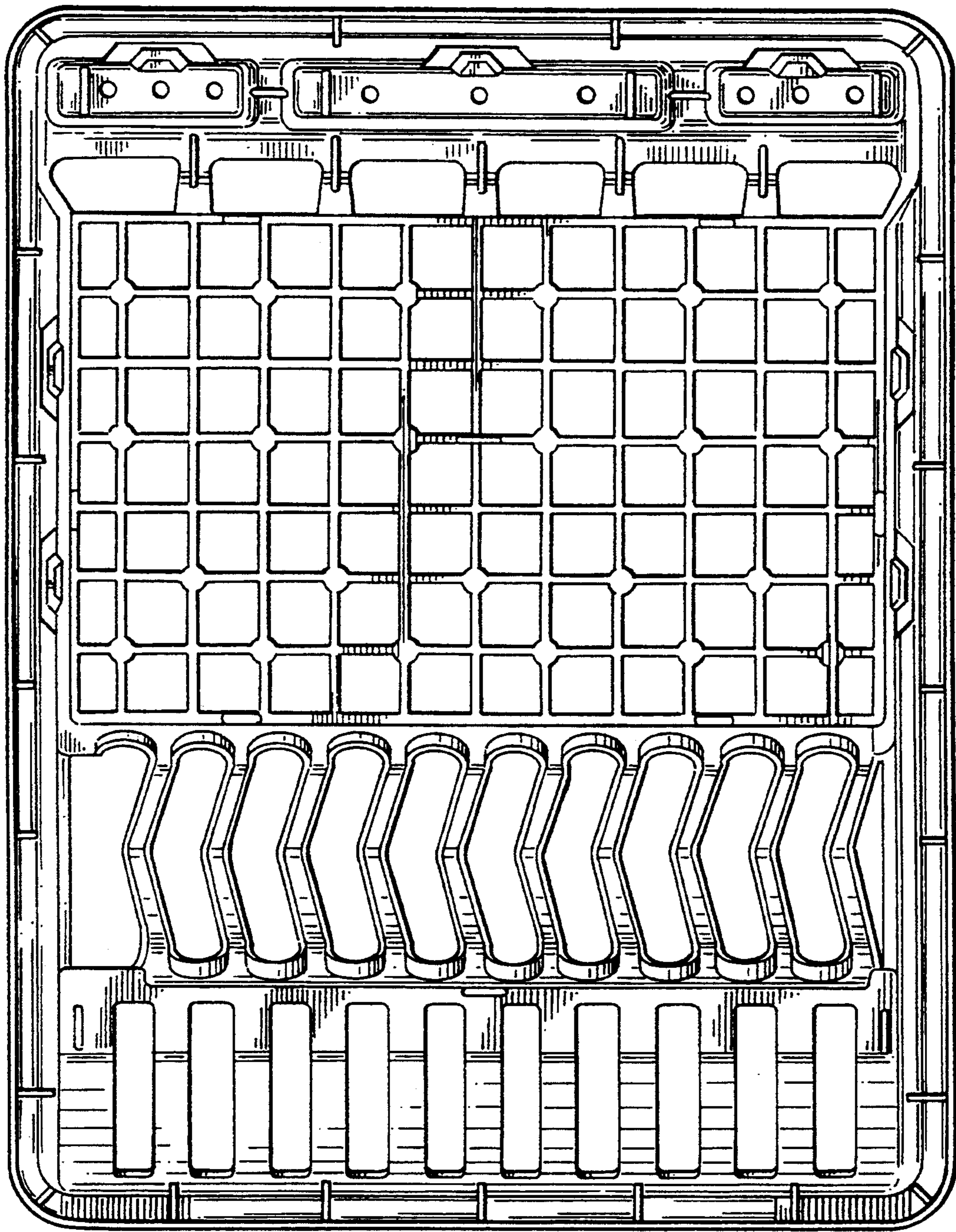


FIG. 8