



US00D353920S

United States Patent [19]

[11] Patent Number: **Des. 353,920**

Daiker

[45] Date of Patent: **** Dec. 27, 1994**

[54] BRUSH HOLDER FOR PAINT CAN

3,899,107	8/1975	Gaal	248/110
3,980,213	9/1976	Ramsay .	
4,266,686	5/1981	Carter .	
4,660,245	4/1987	Anderson .	
5,253,768	10/1993	Traversa et al.	248/110

[76] Inventor: **Mark C. Daiker**, 7016 County Rd. 8 SE., St. Cloud, Minn. 56304

[**] Term: **14 Years**

Primary Examiner—Wallace R. Burke
Assistant Examiner—Robin V. Taylor

[21] Appl. No.: **19,494**

[22] Filed: **Mar. 3, 1994**

[57] **CLAIM**

[52] U.S. Cl. **D32/54**

The ornamental design for the brush holder for paint can, as shown and described.

[58] Field of Search D32/53, 53.1, 54, 46; 248/110, 113, 146, 238; D9/434, 435; 15/247, 248.1, 264; 220/694-702

DESCRIPTION

[56] **References Cited**

U.S. PATENT DOCUMENTS

D. 301,422	6/1989	Schmidt	D32/54
2,124,021	7/1938	Akers	220/695
2,873,052	2/1959	Atherton	220/695
3,272,395	9/1966	Lawyer .	
3,395,828	8/1968	Schnabel .	

FIG. 1 is a front elevational view of the brush holder for paint can showing my new design;
FIG. 2 is a rear elevational view thereof;
FIG. 3 is a left side elevational view thereof;
FIG. 4 is a right side elevational view thereof;
FIG. 5 is a top plan view thereof;
FIG. 6 is a bottom plan view thereof; and,
FIG. 7 is a top perspective view thereof.

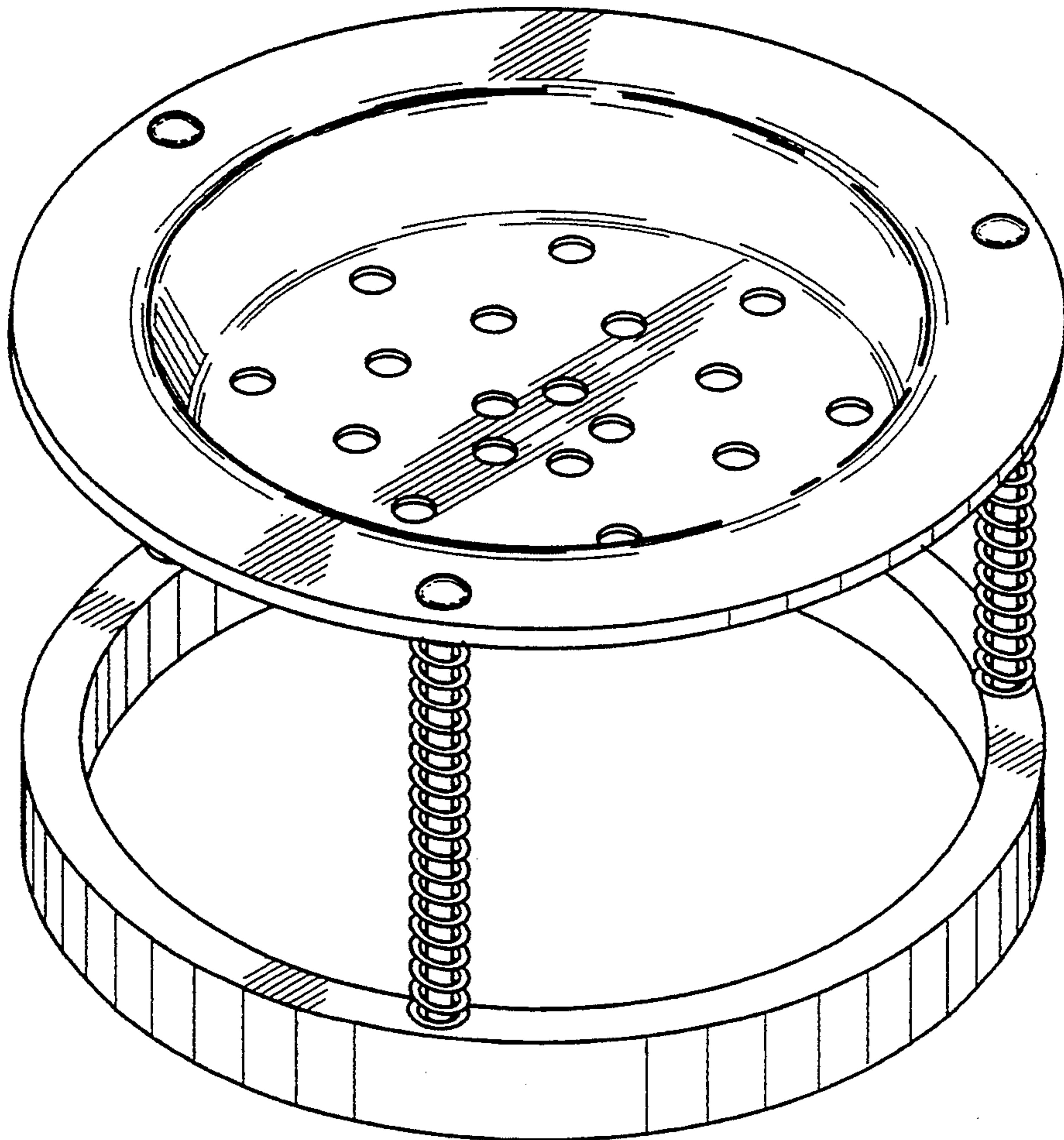


FIG. 1

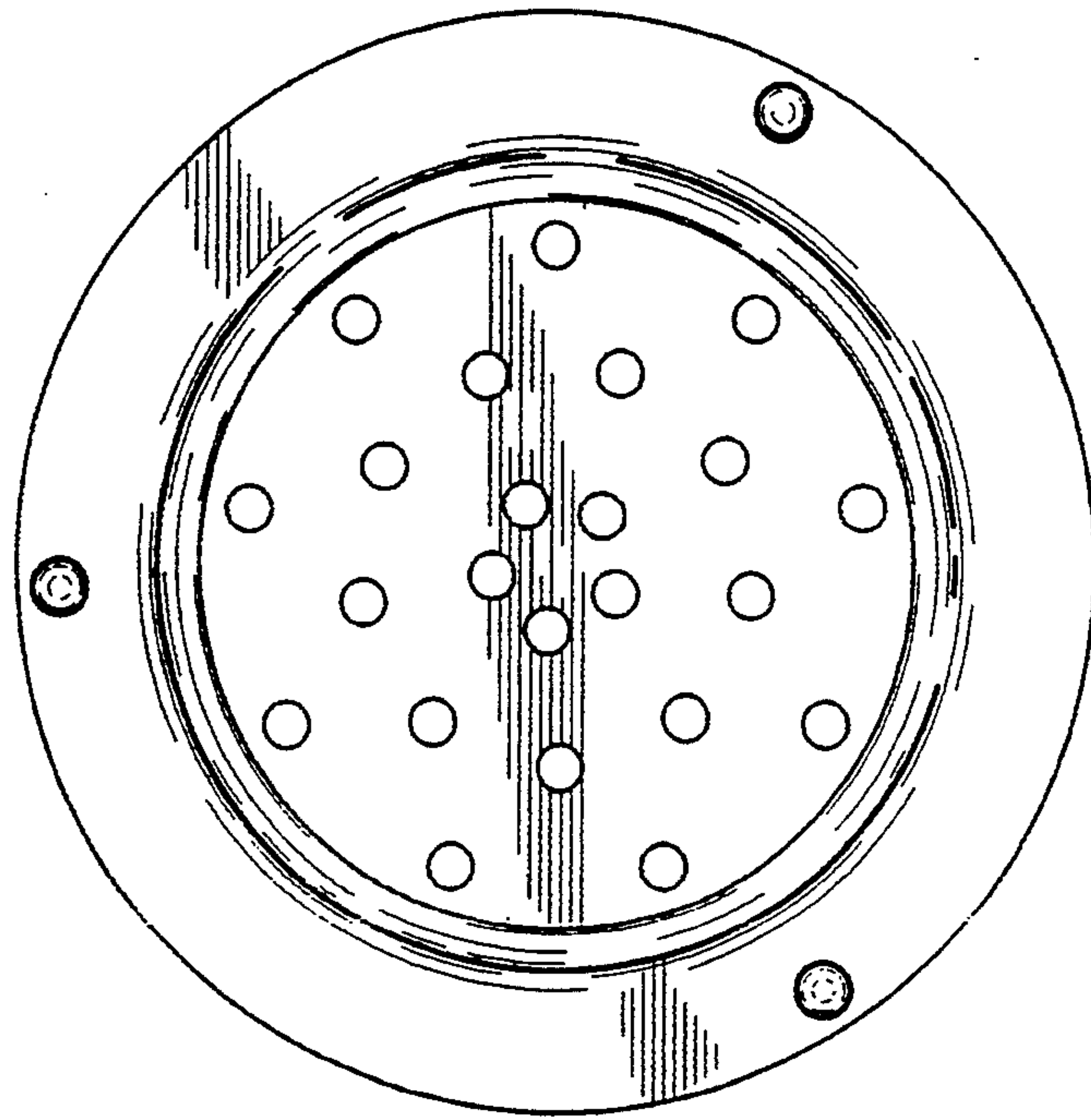


FIG. 2

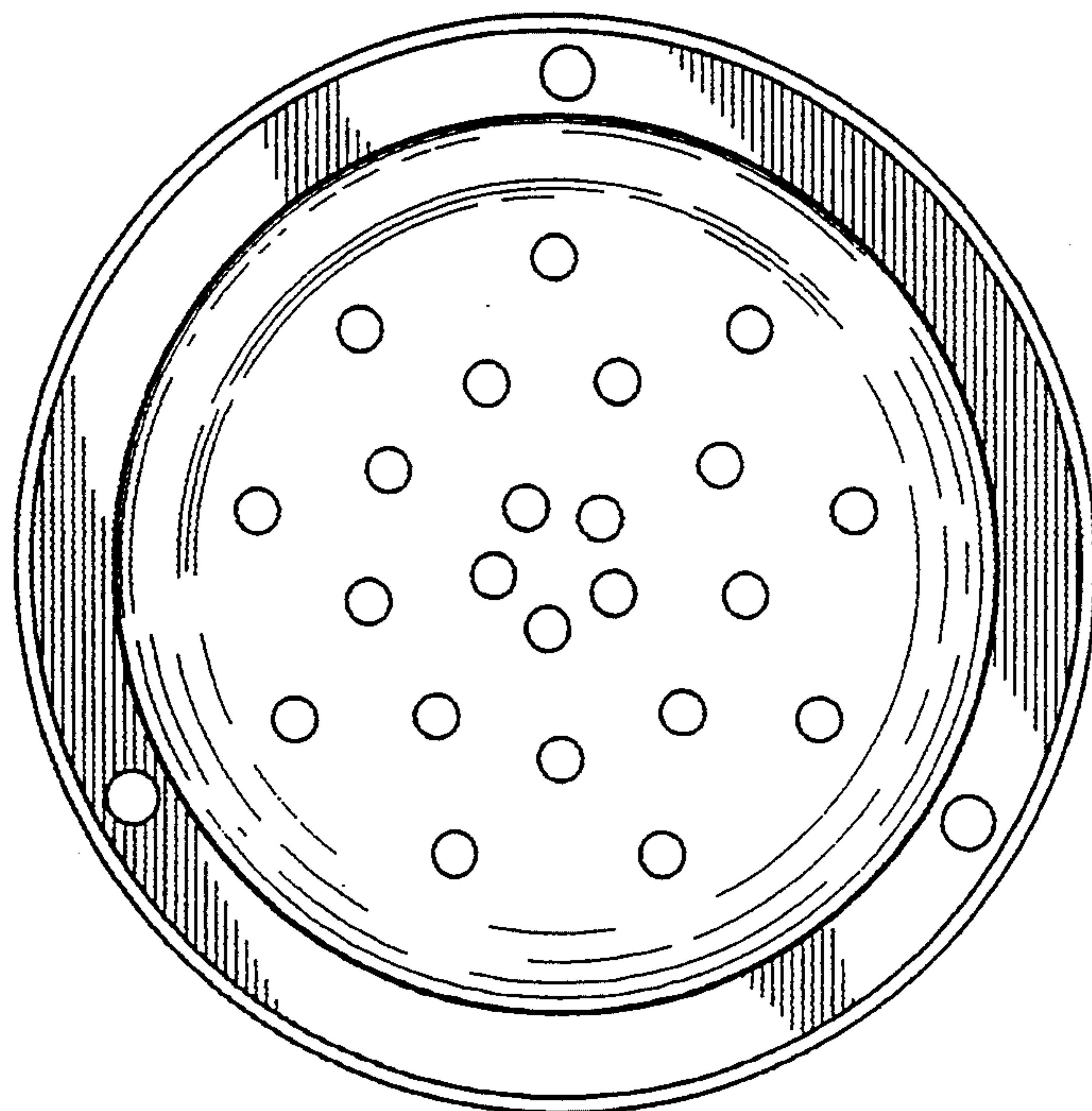


FIG. 3

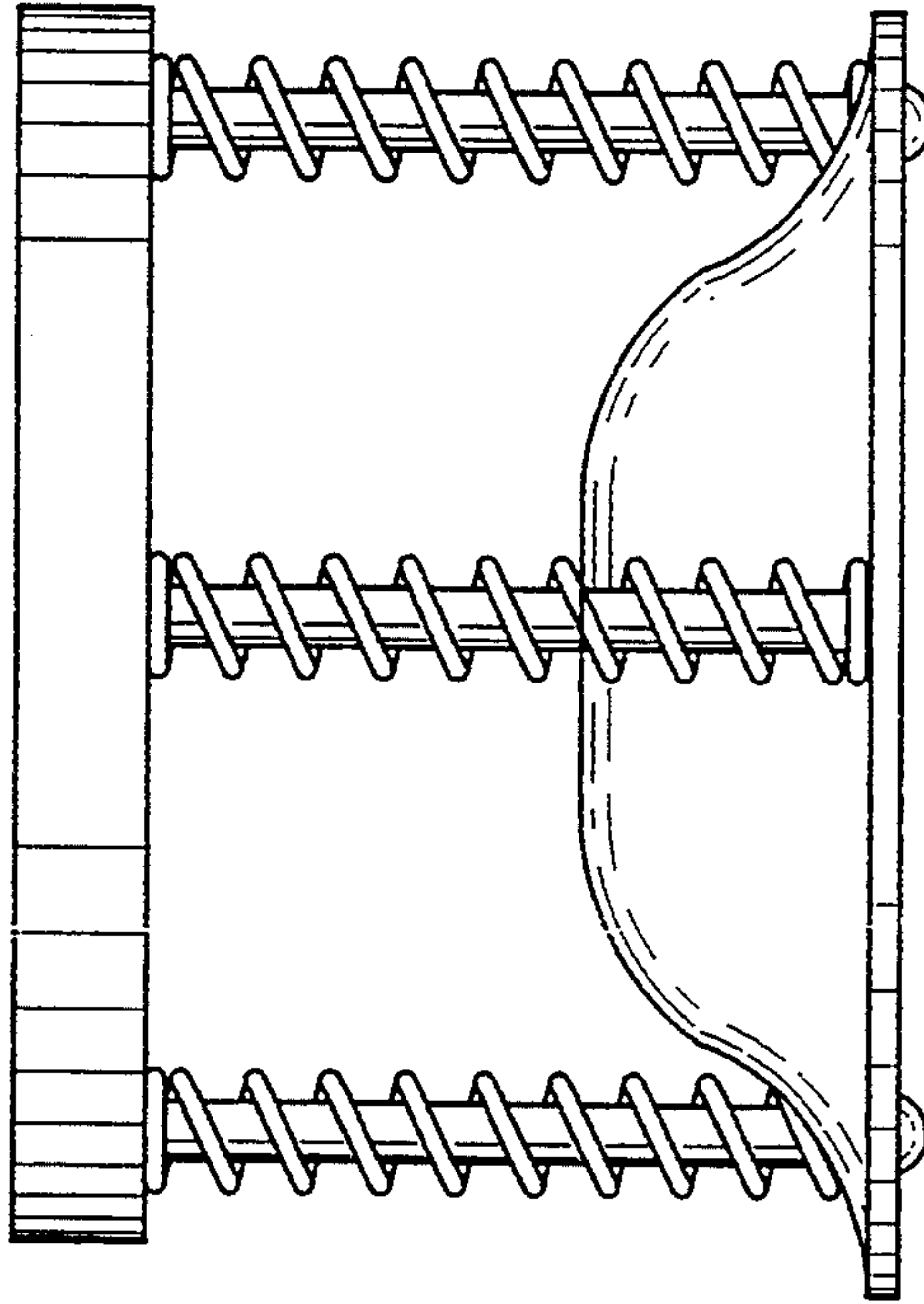


FIG. 4

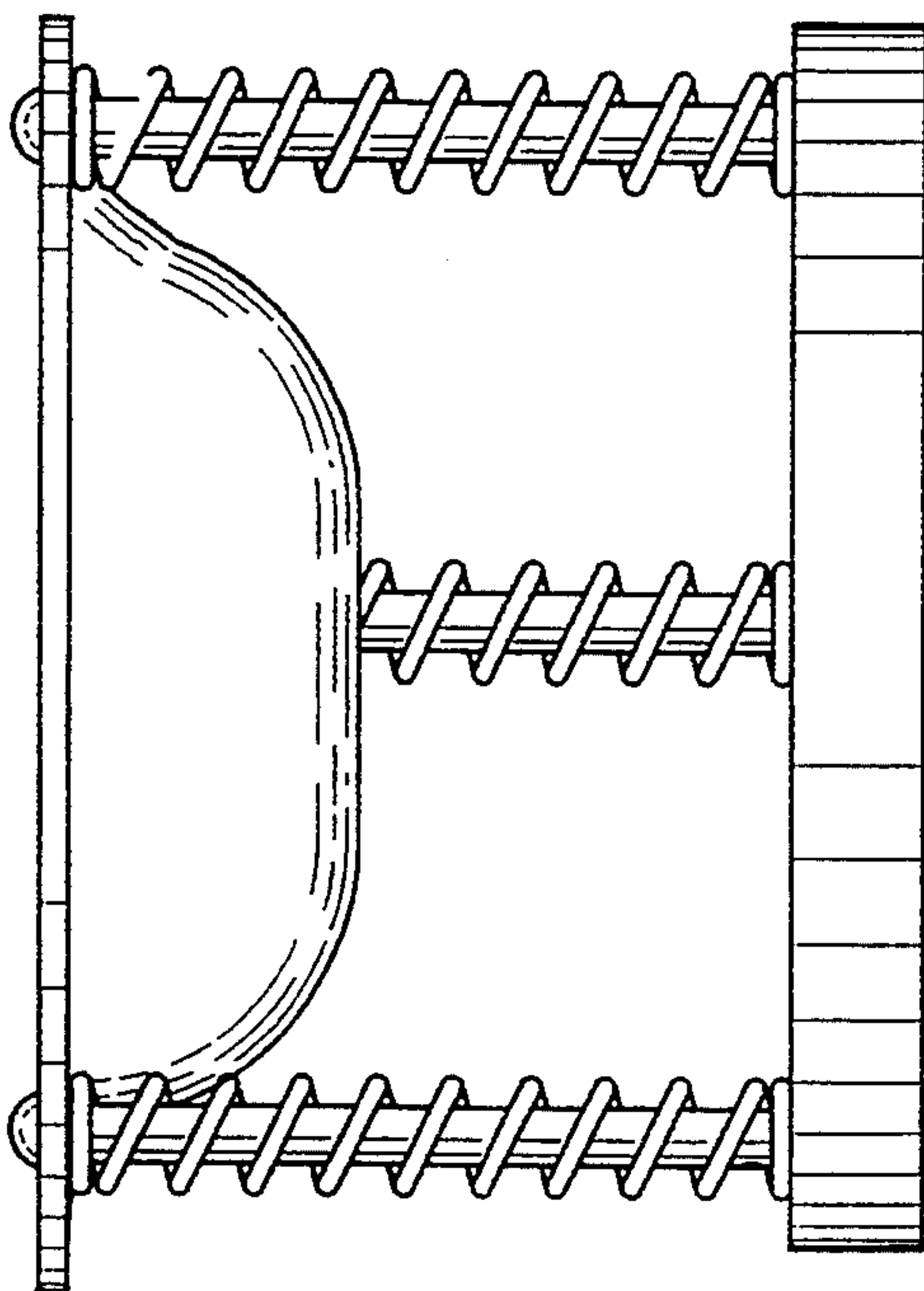


FIG. 5

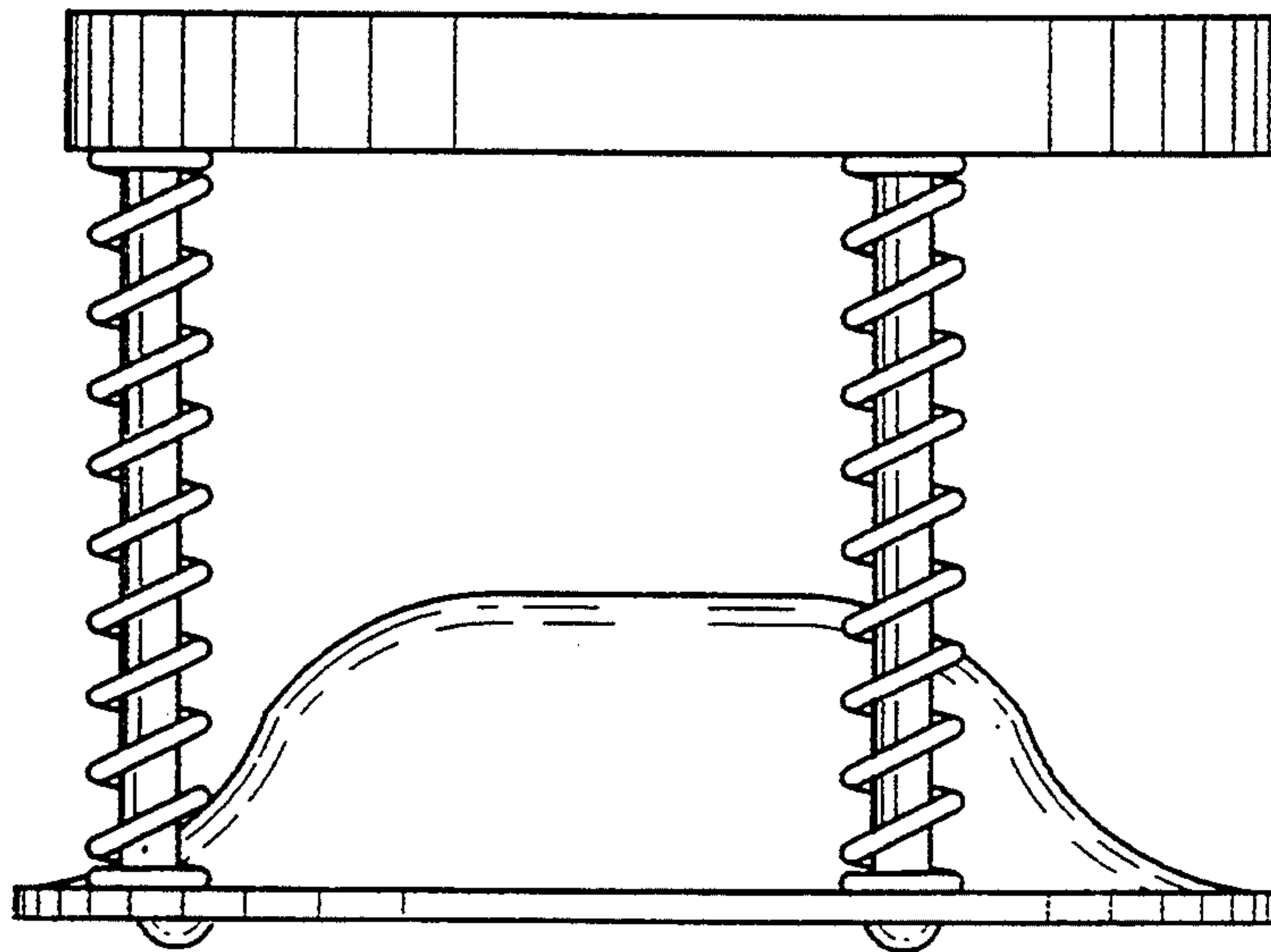


FIG. 6

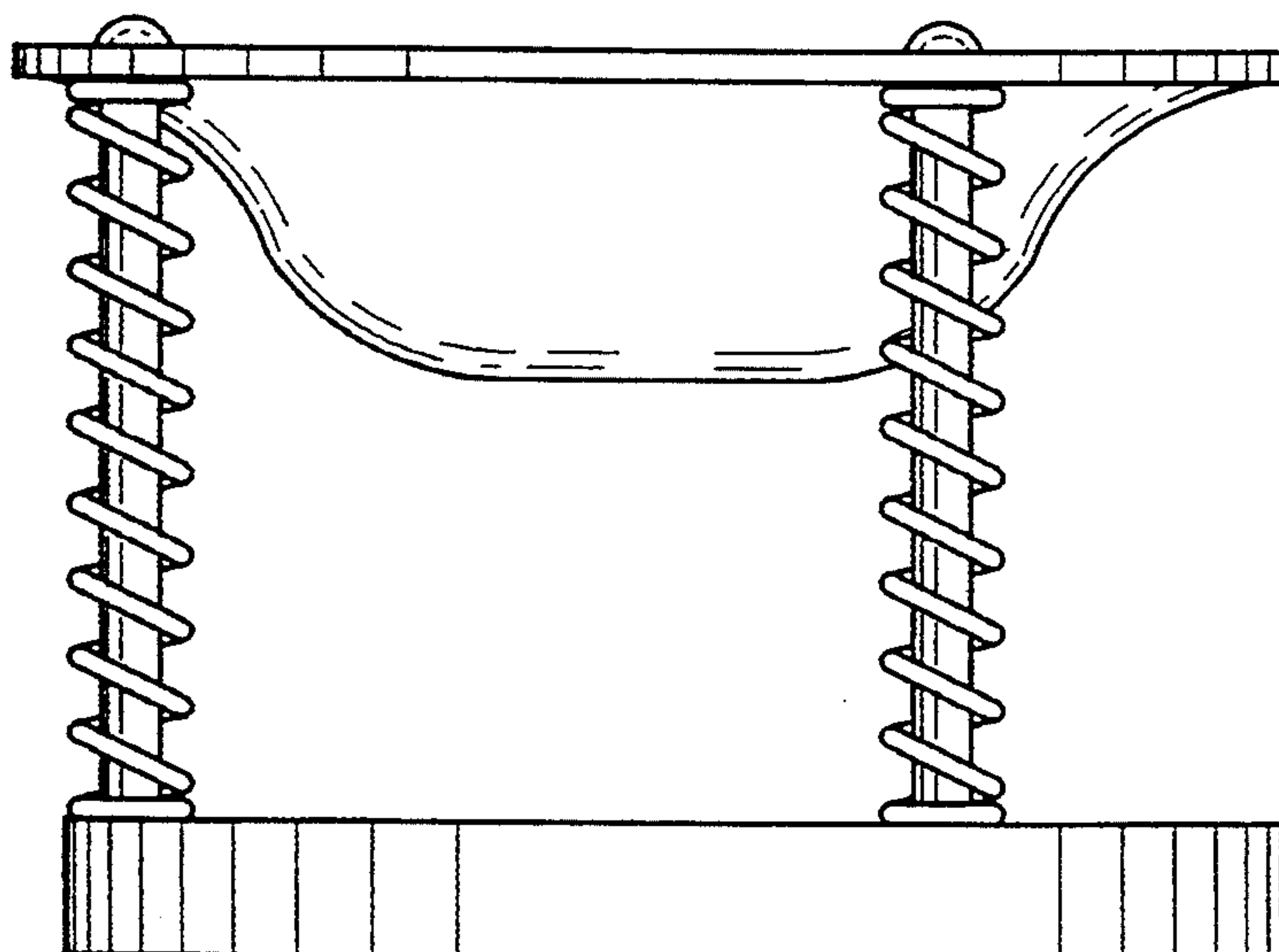


FIG. 7

