



US00D353919S

United States Patent [19]

[11] Patent Number: **Des. 353,919**

Sajko

[45] Date of Patent: **** Dec. 27, 1994**

[54] **WALL AND CEILING SCRUBBER**

4,524,484 6/1985 Graham 15/144.4 X

[76] Inventor: **Frances J. Sajko, RD #6 Box 25,
Johnstown, Pa. 15909**

FOREIGN PATENT DOCUMENTS

[**] Term: **14 Years**

276297 2/1966 Australia 15/144.1

686252 1/1953 United Kingdom 15/144 B

[21] Appl. No.: **2,751**

Primary Examiner—Wallace R. Burke
Assistant Examiner—Lavone D. Tabor
Attorney, Agent, or Firm—Terry M. Gernstein

[22] Filed: **Dec. 21, 1992**

[52] U.S. Cl. **D32/44; D32/51**

[58] Field of Search **D32/40, 44, 50-51;
15/116.1, 116.2, 118, 119.1, 119.2, 143.1,
144.1-144.4, 145, 244.1, 244.2, 209.1, 210.1**

[57] CLAIM

The ornamental design for a wall and ceiling scrubber, as shown and described.

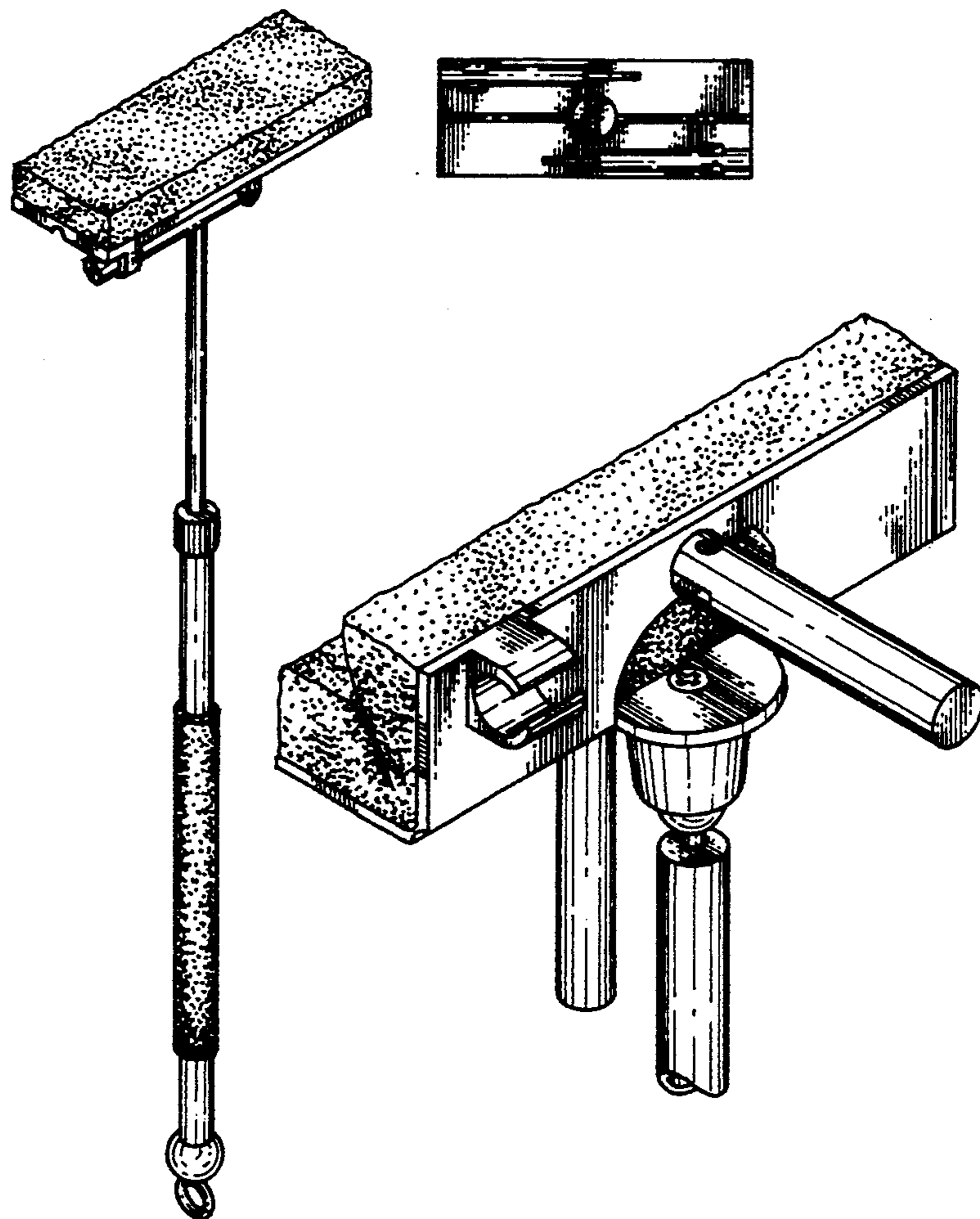
[56] References Cited

U.S. PATENT DOCUMENTS

D. 294,073	2/1988	Lin	D32/51
D. 304,630	11/1989	Jones	D32/40
D. 316,787	5/1991	Kelly	D6/515
693,100	2/1902	Bell	15/143.1
889,088	5/1908	Baillargeon	15/144.4 X
2,746,070	5/1956	Parker	15/119.2 X
2,801,434	8/1957	Vosbikian et al.	D32/40 X
2,898,617	8/1959	Dunbar	15/119 A
3,224,025	12/1965	Altrock	15/119.2
3,866,257	2/1975	Cansdale	15/144 B X

DESCRIPTION

FIG. 1 is a front, top and side perspective view of the wall and ceiling scrubber showing my new design; FIG. 2 is an end elevational view thereof, the opposite end being a mirror image of the end shown in FIG. 2; FIG. 3 is a front elevational view thereof, the rear being a mirror image of the front shown in FIG. 3; FIG. 4 is a top plan view thereof; FIG. 5 is a bottom plan view thereof; and, FIG. 6 is an enlarged, fragmentary perspective view thereof shown with the pivoting arms extended and the head in folded condition.



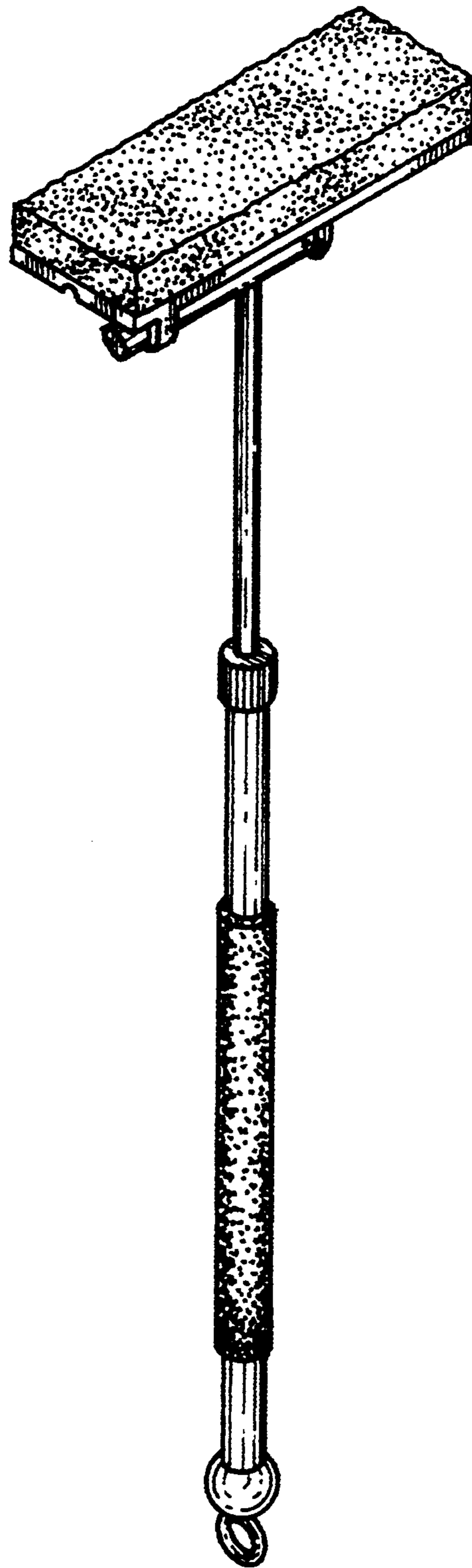


FIG. 1

FIG. 2

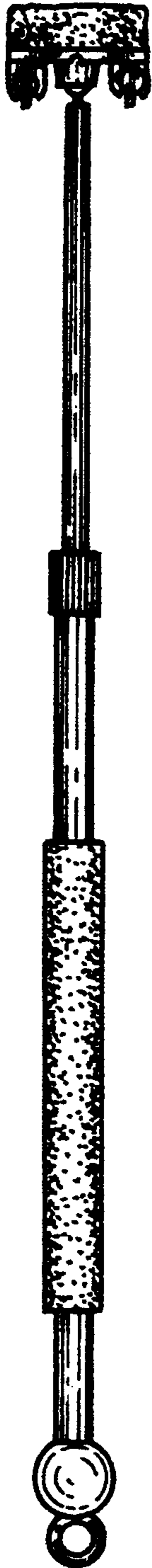


FIG. 3

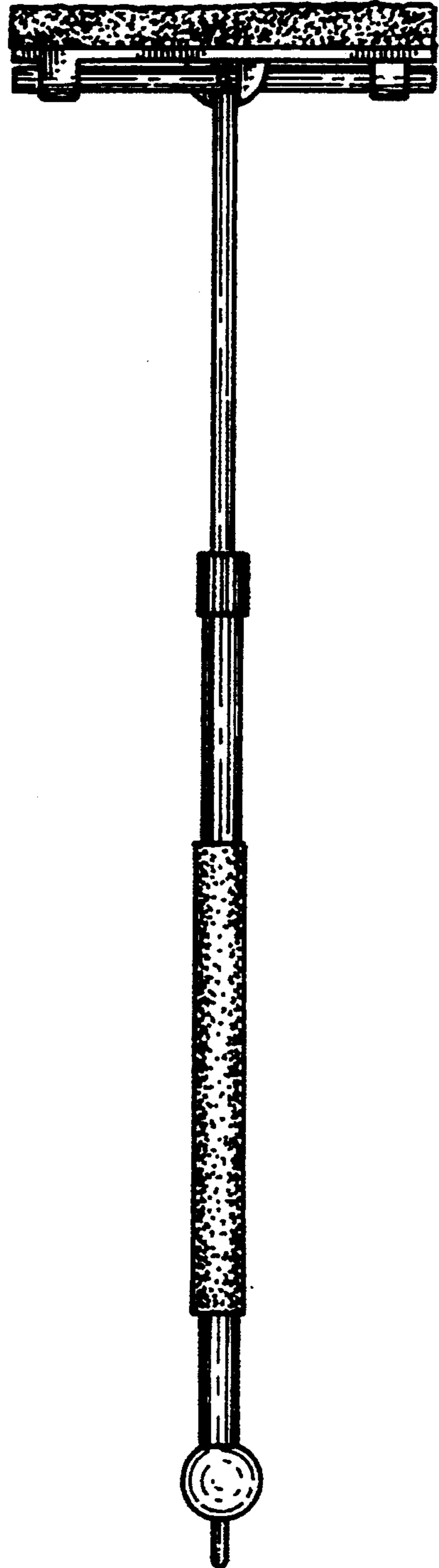


FIG. 4

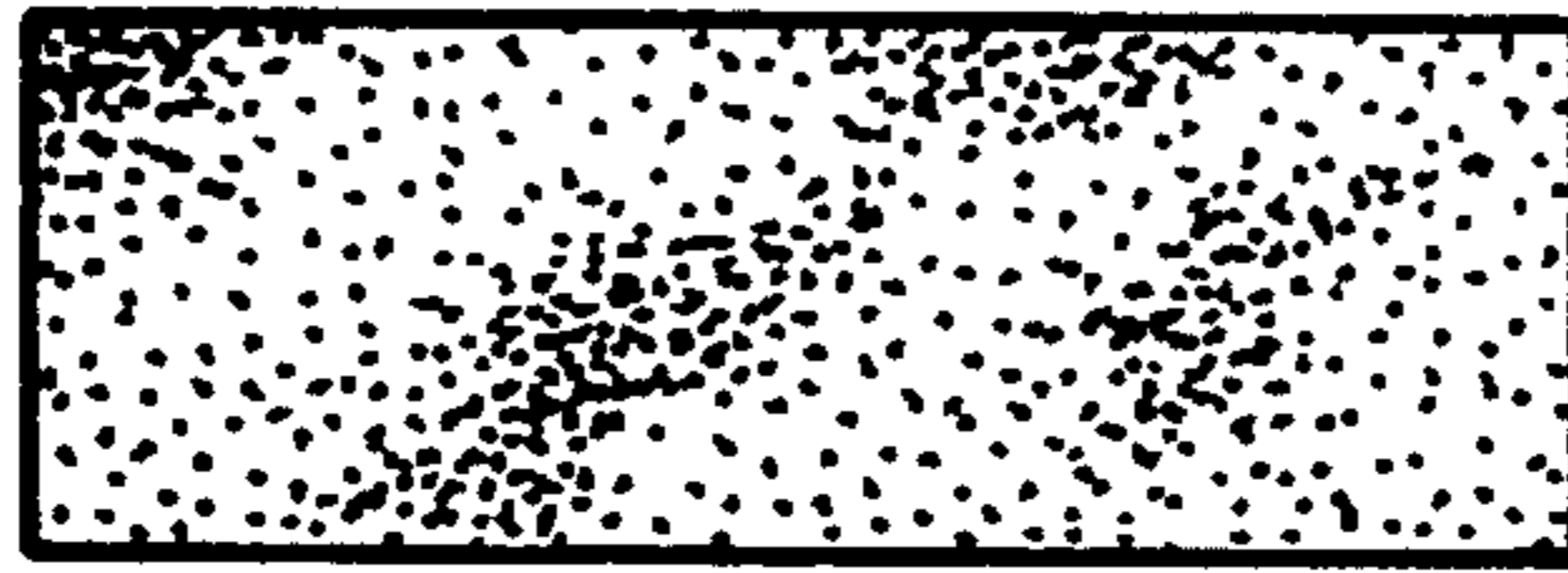


FIG. 5

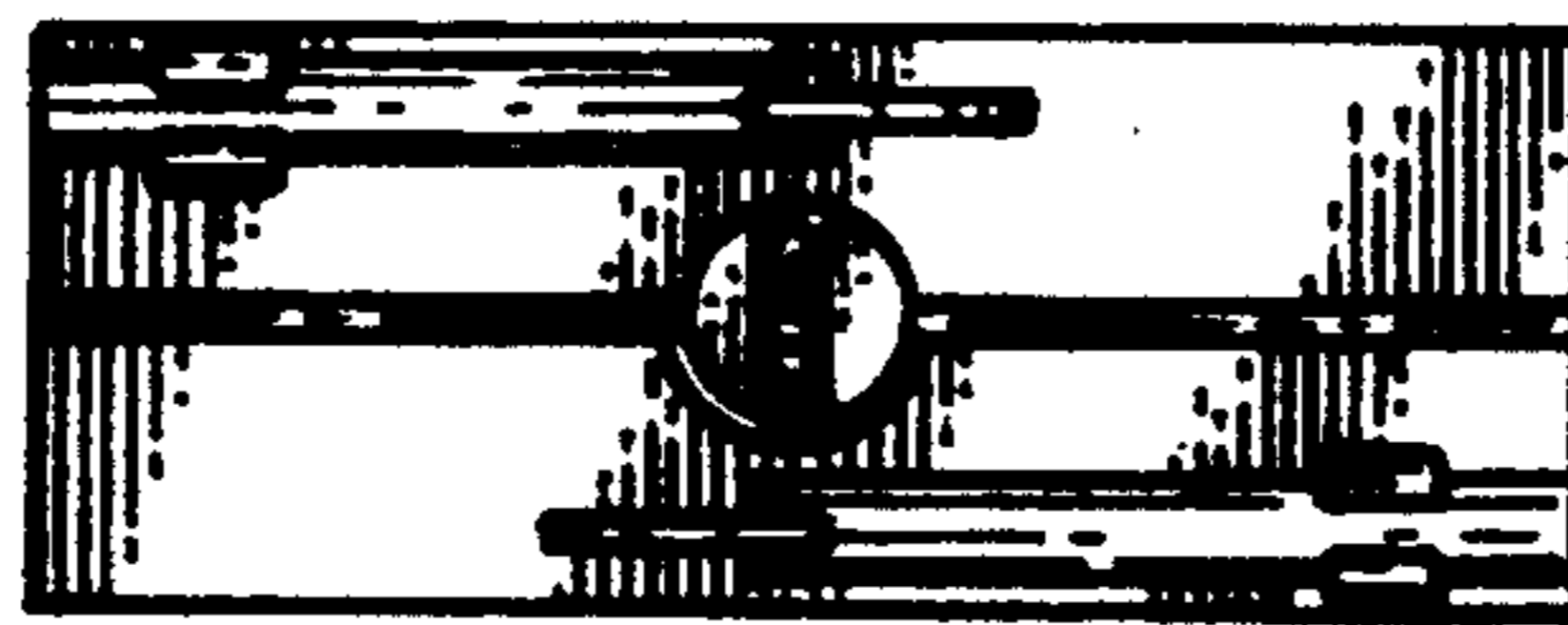


FIG. 6

