



US00D353918S

# United States Patent [19]

[11] Patent Number: **Des. 353,918**

Bruno et al.

[45] Date of Patent: **\*\* Dec. 27, 1994**

[54] **CLEANING NOZZLE**

D. 289,337	4/1987	Fitzwater	.....	D32/32
D. 296,372	6/1988	Toney et al.	.....	D32/32
D. 335,942	5/1993	Furcron	.....	D32/32

[75] Inventors: **Robert H. Bruno**, Avon; **Kenneth D. Harris, Jr.**, Winsted, both of Conn.; **James H. Smith, Jr.**, Long Beach, Miss.

### OTHER PUBLICATIONS

Best 1982-1983 Catalog, p. 220. "Item 1-Douglas Hydro Clean Steam-Type Carpet Cleaner", Model B8100.

[73] Assignee: **The Regina Company**, Long Beach, Miss.

*Primary Examiner*—Ruth McInroy  
*Attorney, Agent, or Firm*—Jones & Askew

[\*\*] Term: **14 Years**

### [57] CLAIM

[21] Appl. No.: **3,435**

The ornamental design for a cleaning nozzle, as shown.

[22] Filed: **Jan. 6, 1993**

### DESCRIPTION

[52] U.S. Cl. .... **D32/32**

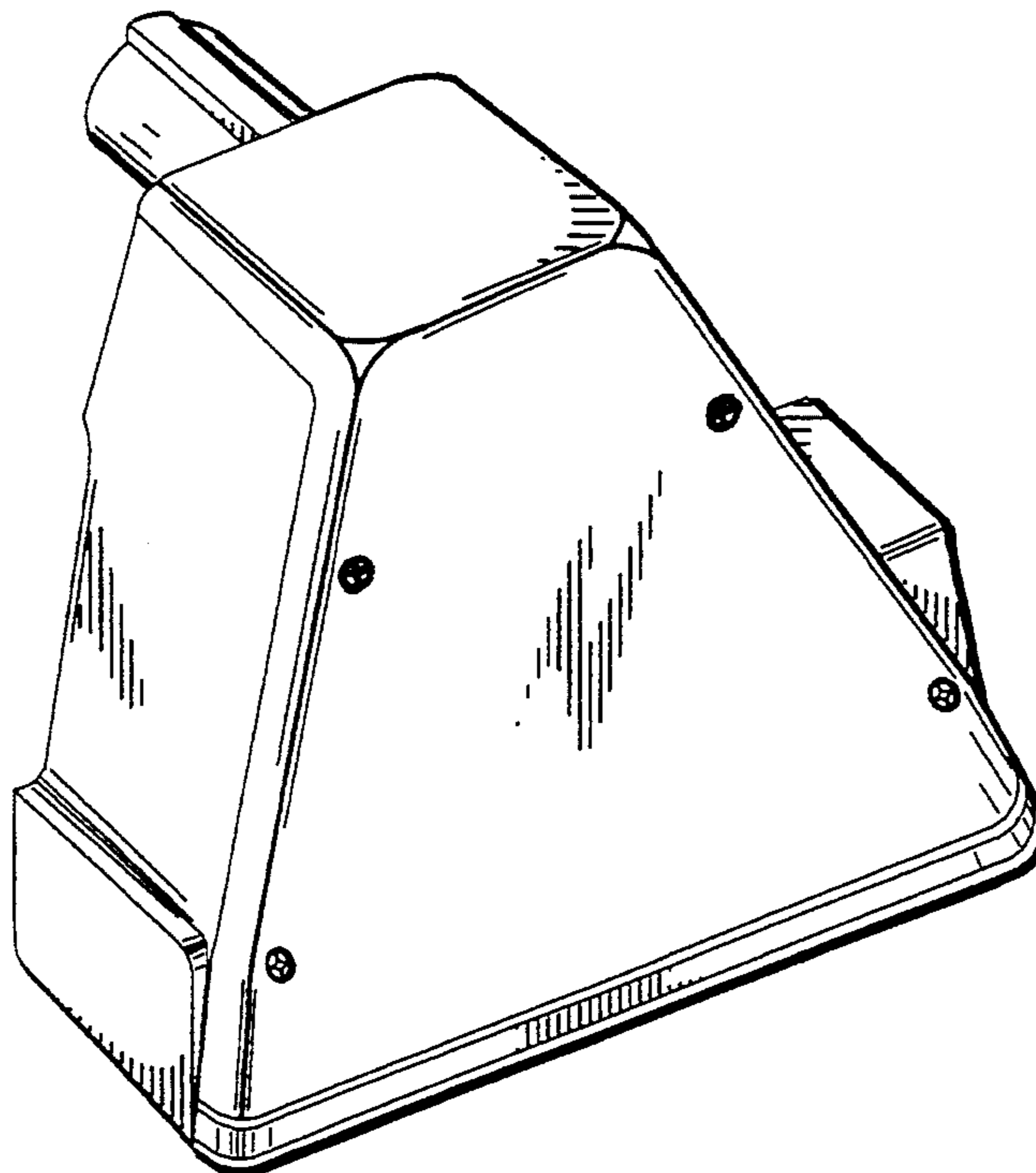
[58] Field of Search ..... **D32/31-33, D32/22; 15/320-322, 415.1-416, 418-422.1**

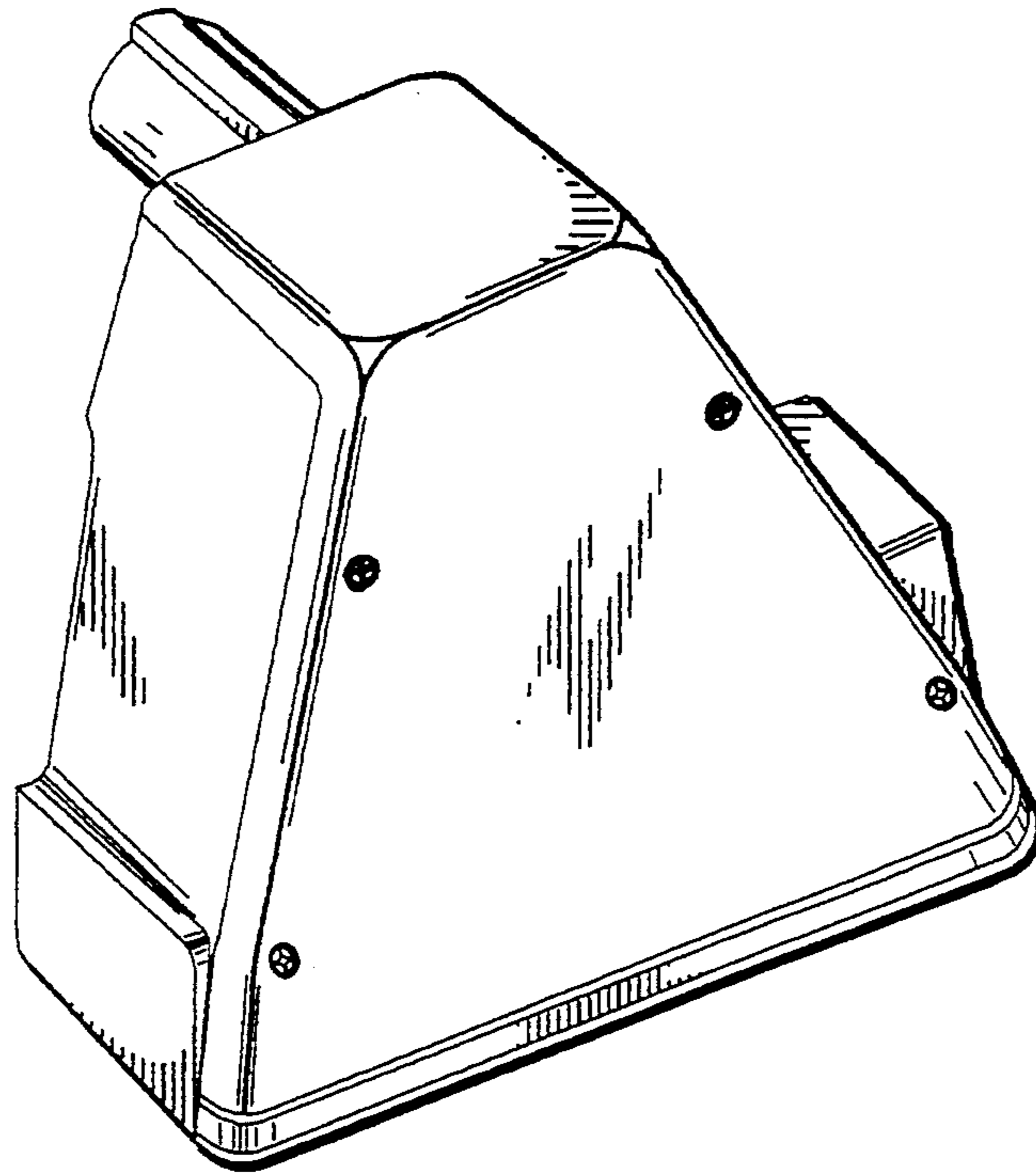
FIG. 1 is a front, left top perspective view of a cleaning nozzle showing our new design;  
FIG. 2 is a front elevational view thereof;  
FIG. 3 is a right side elevational view thereof;  
FIG. 4 is a left side elevational view thereof;  
FIG. 5 is a rear elevational view thereof;  
FIG. 6 is a top plan view thereof; and,  
FIG. 7 is a bottom plan view thereof.

### [56] References Cited

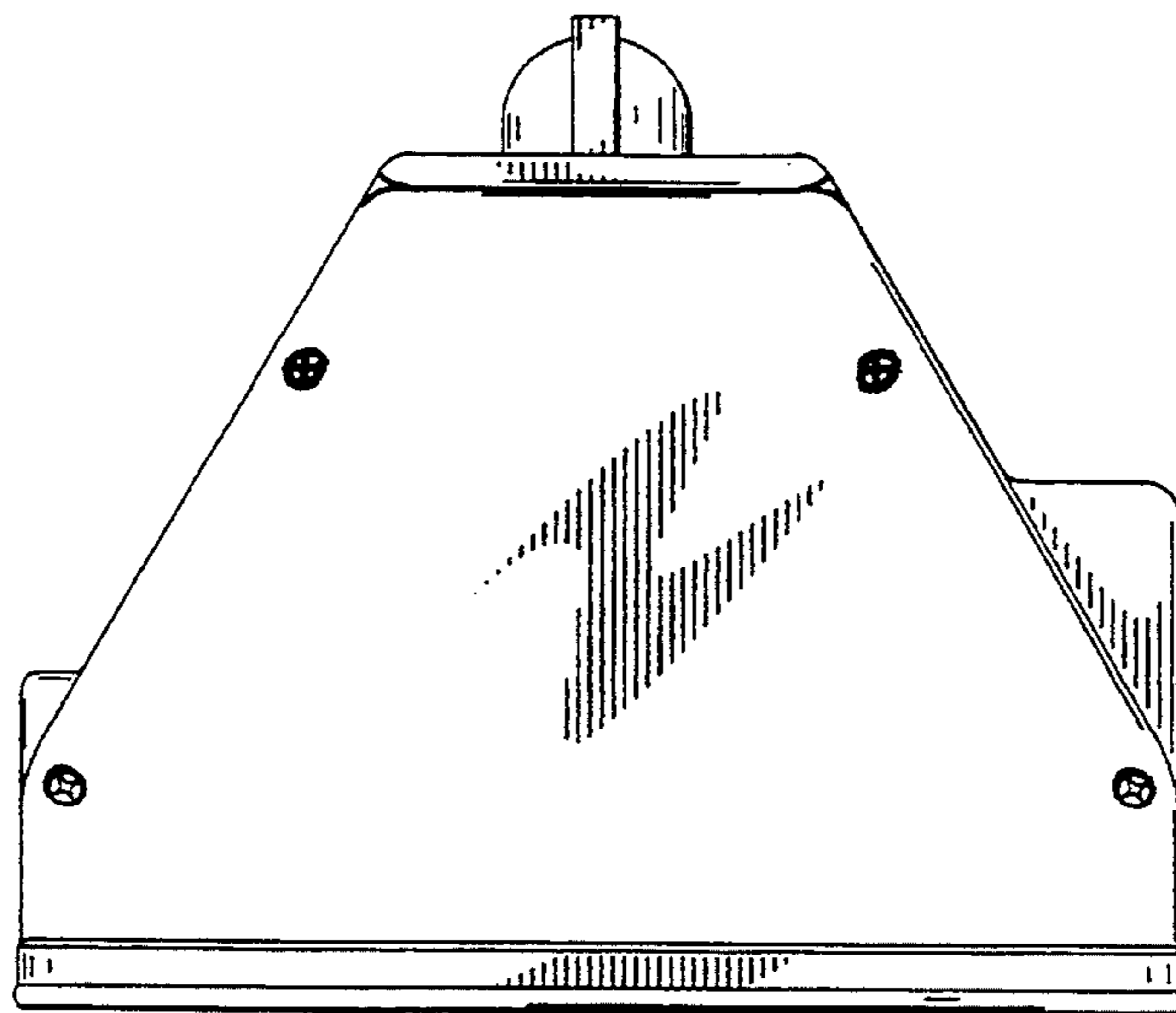
#### U.S. PATENT DOCUMENTS

D. 242,211	11/1976	Pansi	.....	D32/32
D. 242,212	11/1976	Pansi et al.	.....	D32/32
D. 289,336	4/1987	Fitzwater	.....	D32/32

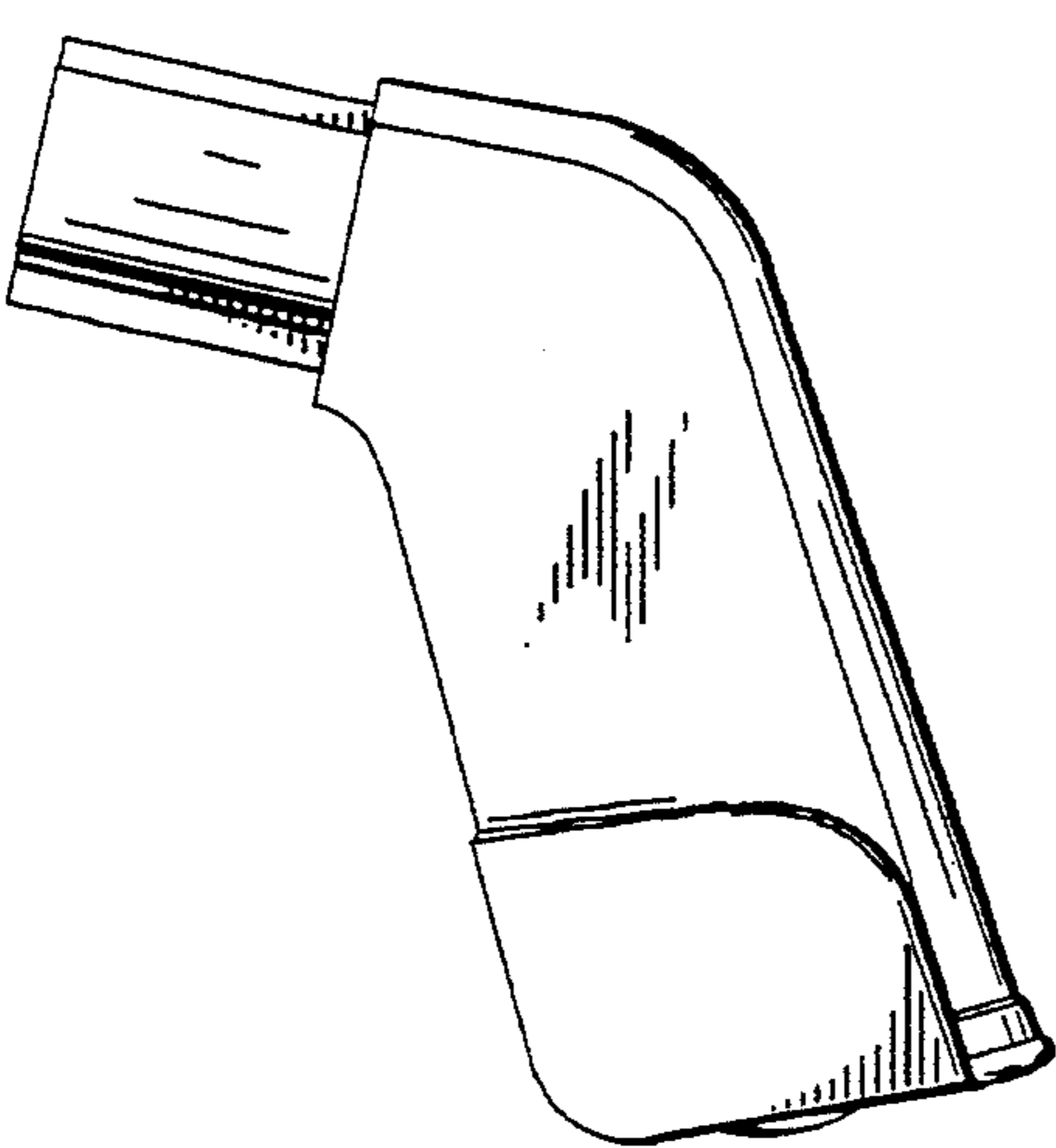




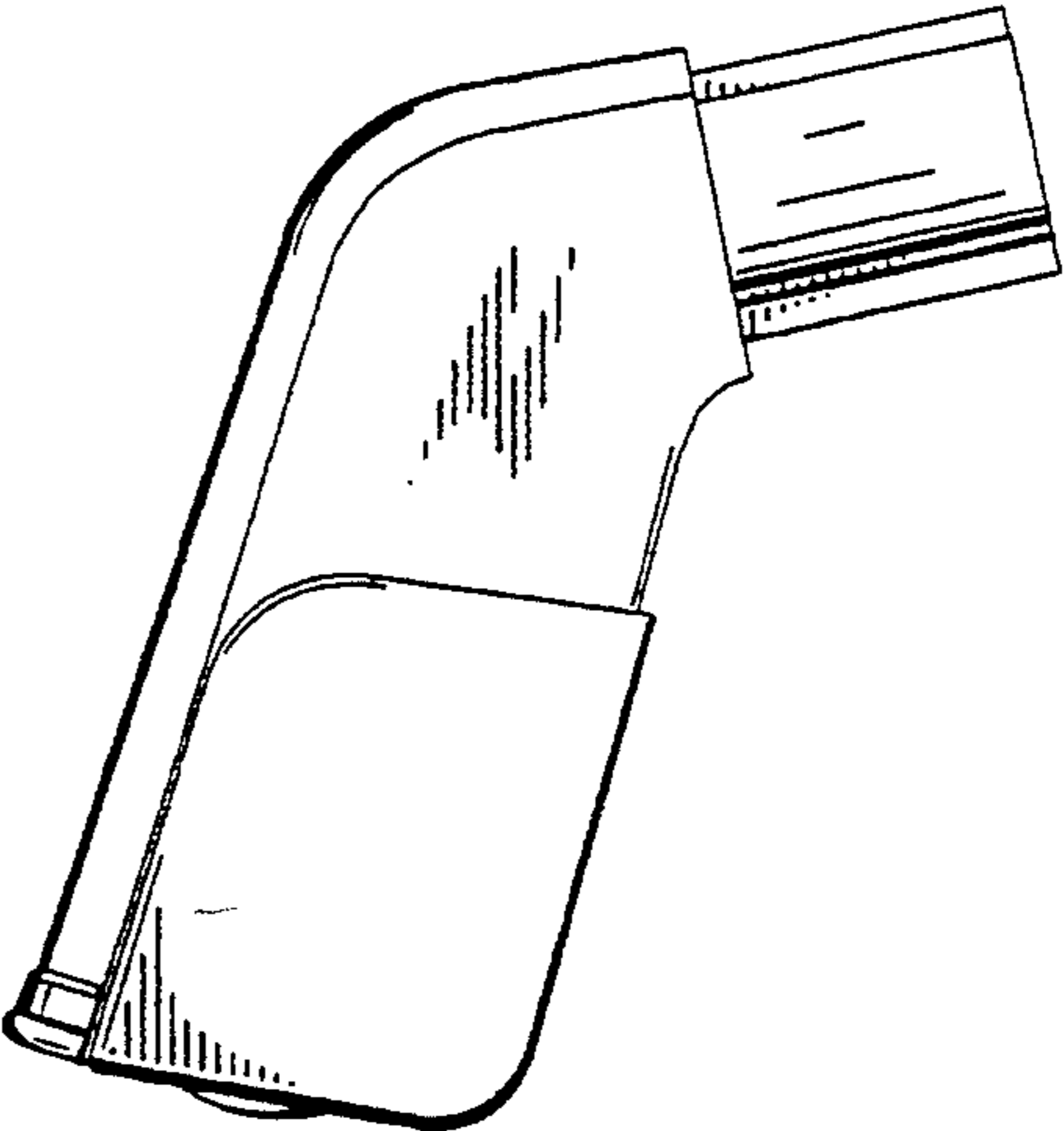
**FIG 1**



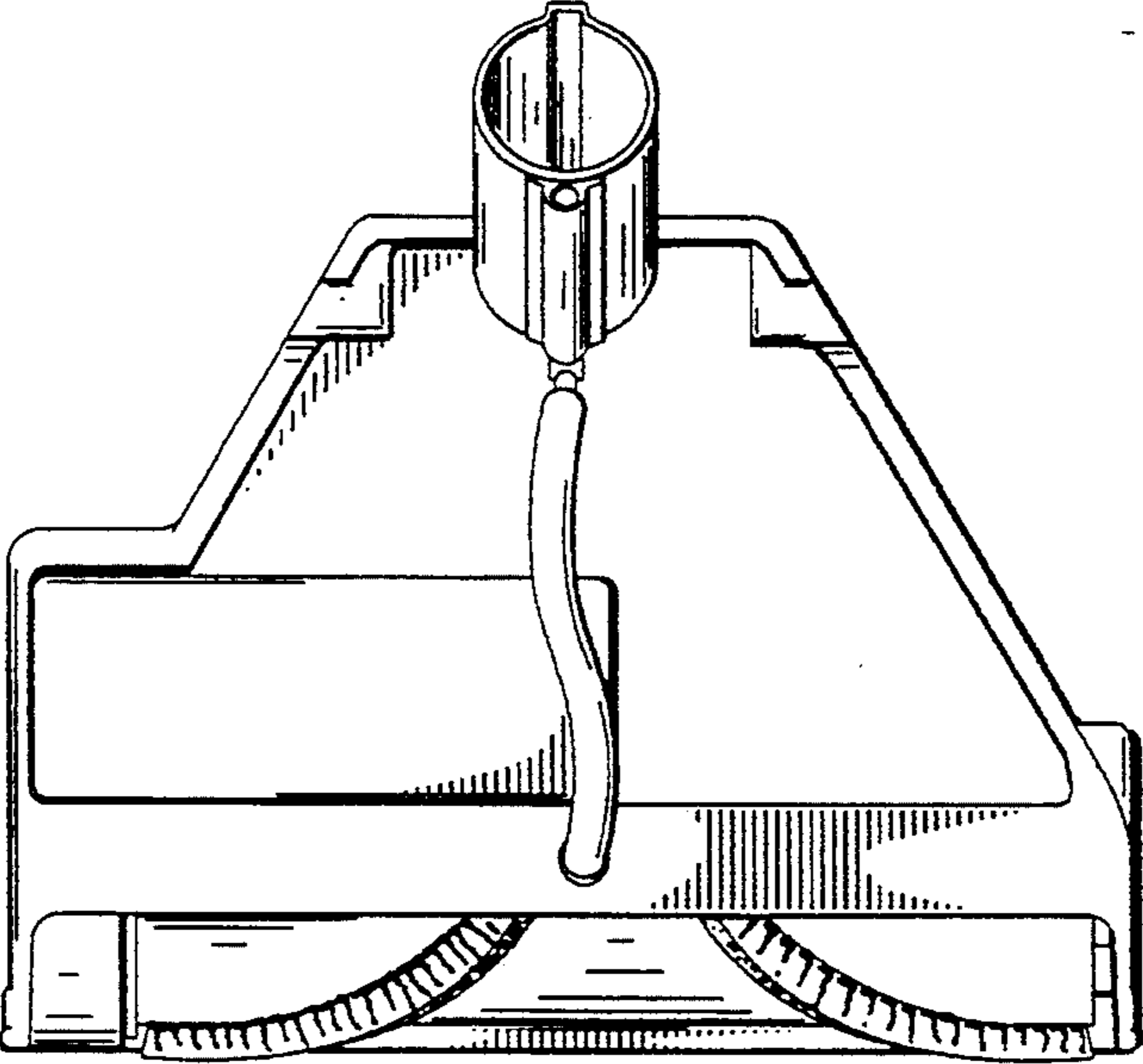
**FIG 2**



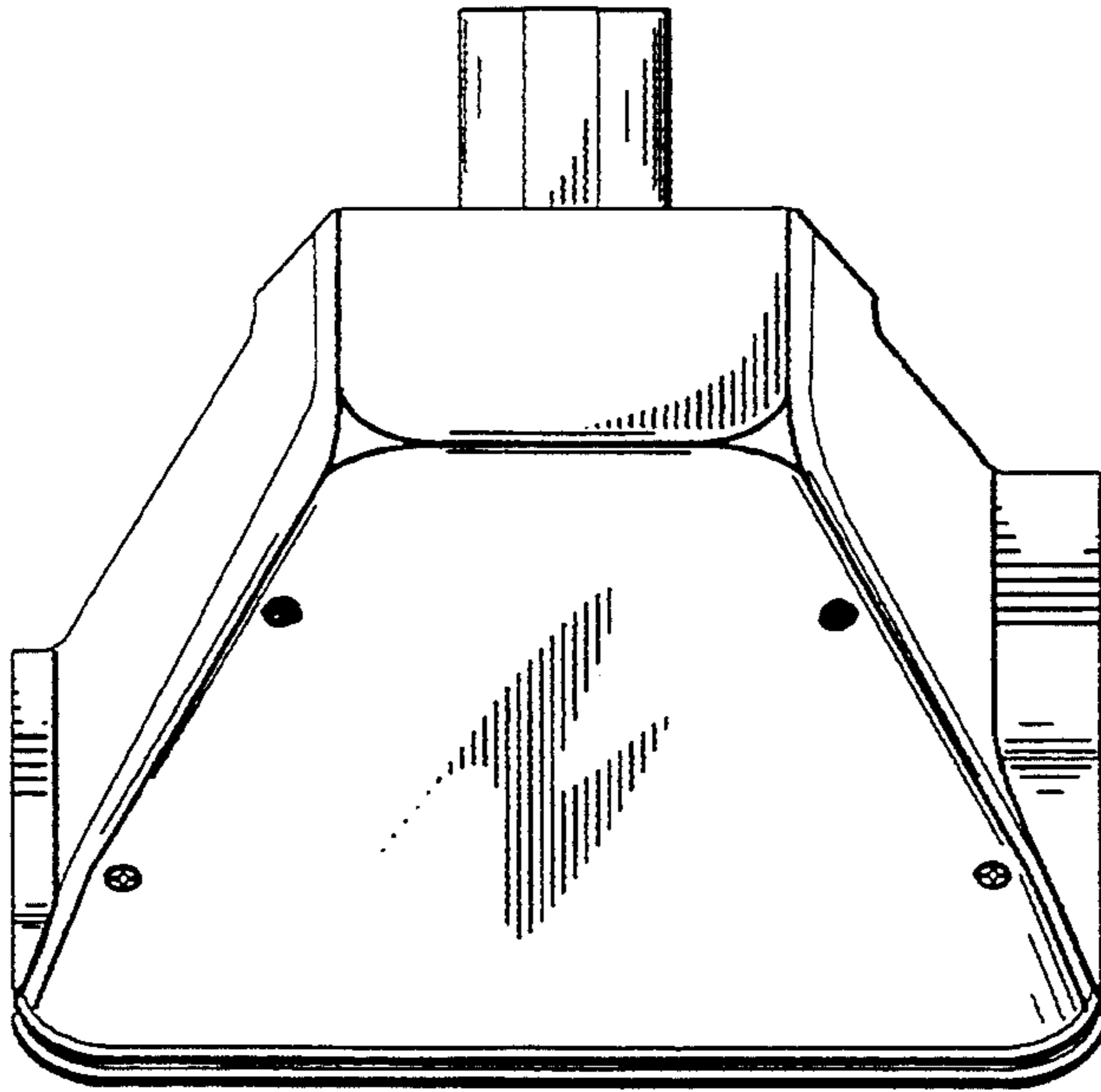
**FIG 3**



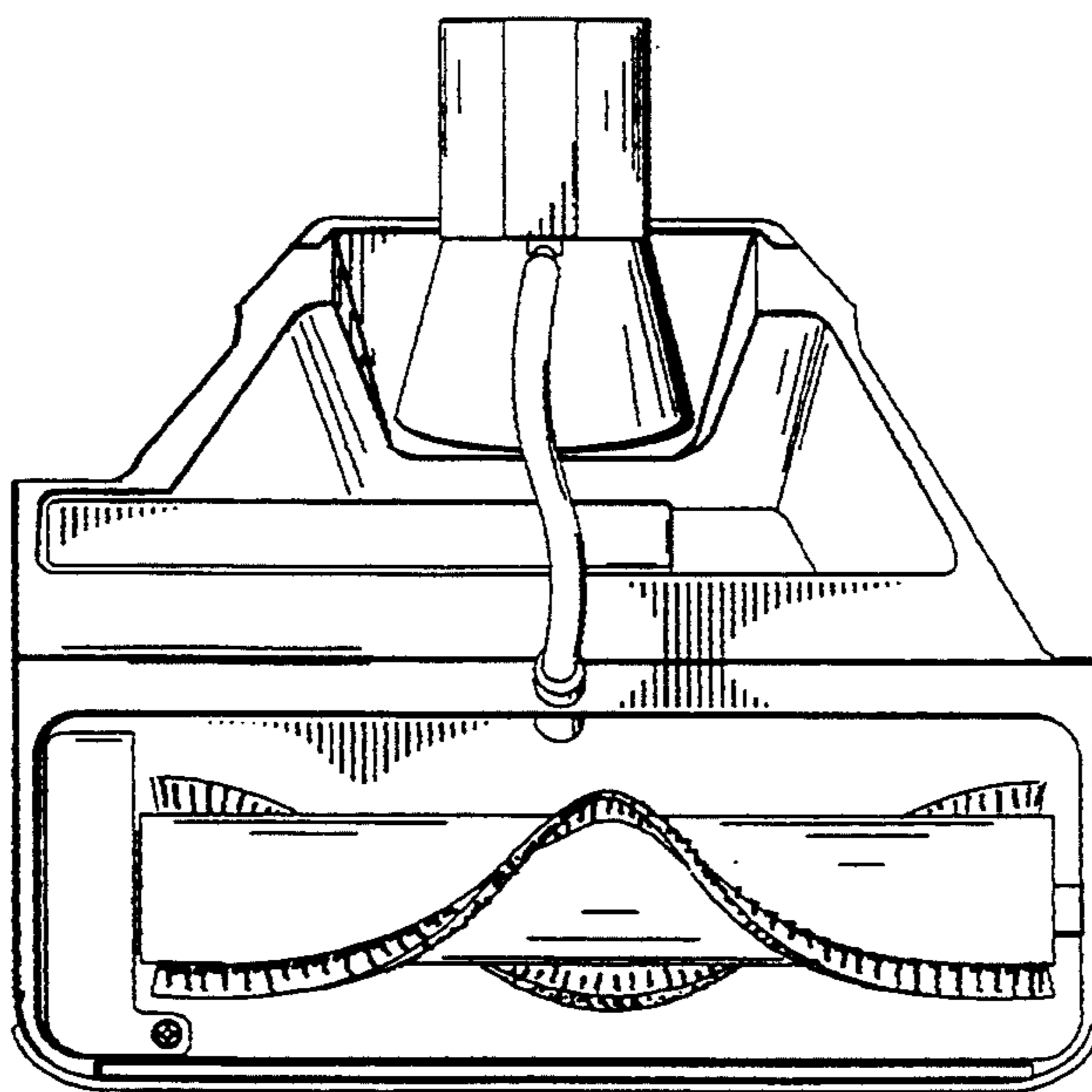
**FIG 4**



**FIG 5**



**FIG 6**



**FIG 7**