



US00D353917S

United States Patent [19]

[11] Patent Number: Des. 353,917

Hoekstra et al.

[45] Date of Patent: ** Dec. 27, 1994

[54] COMBINED VACUUM CLEANER HANDLE AND WAND

[75] Inventors: **Peter Hoekstra; Michael F. Martin**, both of Bristol; **George C. Moyher, Jr.**, Bluff City, all of Tenn.; **Duane M. Loose**, Chelmsford; **David G. Honan**, Summerville, both of Mass.

[73] Assignee: **Electrolux Corporation**, Marietta, Ga.

[**] Term: **14 Years**

[21] Appl. No.: **7,474**

[22] Filed: **Apr. 23, 1993**

[52] U.S. Cl. **D32/31**

[58] Field of Search **D32/31-34, D32/22; 15/410, 411, 412, 414, DIG. 10, 350-351**

[56] References Cited

U.S. PATENT DOCUMENTS

D. 237,036	10/1975	Neceda	D32/31
D. 293,498	12/1987	Traylor, Jr.	D32/31
D. 315,043	2/1992	Hayden	D32/34
D. 333,023	2/1993	Herron, Jr.	D32/34
D. 334,447	3/1993	Rohn	D32/34
4,457,042	7/1984	Jones et al.	15/320
4,611,365	9/1986	Komatsu et al.	15/412
4,654,924	4/1987	Getz et al.	15/410
4,720,890	1/1988	Jacob	15/323
4,915,640	4/1990	Hayden	439/191
4,993,104	2/1991	Kasper et al.	15/319
5,109,568	5/1992	Rohn et al.	15/410

FOREIGN PATENT DOCUMENTS

725344 1/1966 Canada .
1277812 12/1990 Canada H01R 4/60
3140131 4/1983 Germany .

OTHER PUBLICATIONS

Sanyo Corporation, Product Brochure, "300 SE Vacuum Cleaners" (Apr. 1990).
National Corporation, Product Brochure, "MC-A71 VP Vacuum Cleaners" (Oct. 1989).
Mitsubishi Corporation, Product Brochure, "TC Series Vacuum Cleaners" (Sep. 1989).
Toshiba Corporation, Product Brochure, "VC-M86PS Vacuum Cleaners" (Jul. 1989).
National Corporation, Product Brochure, "MC Series Vacuum Cleaners" (May 1989).

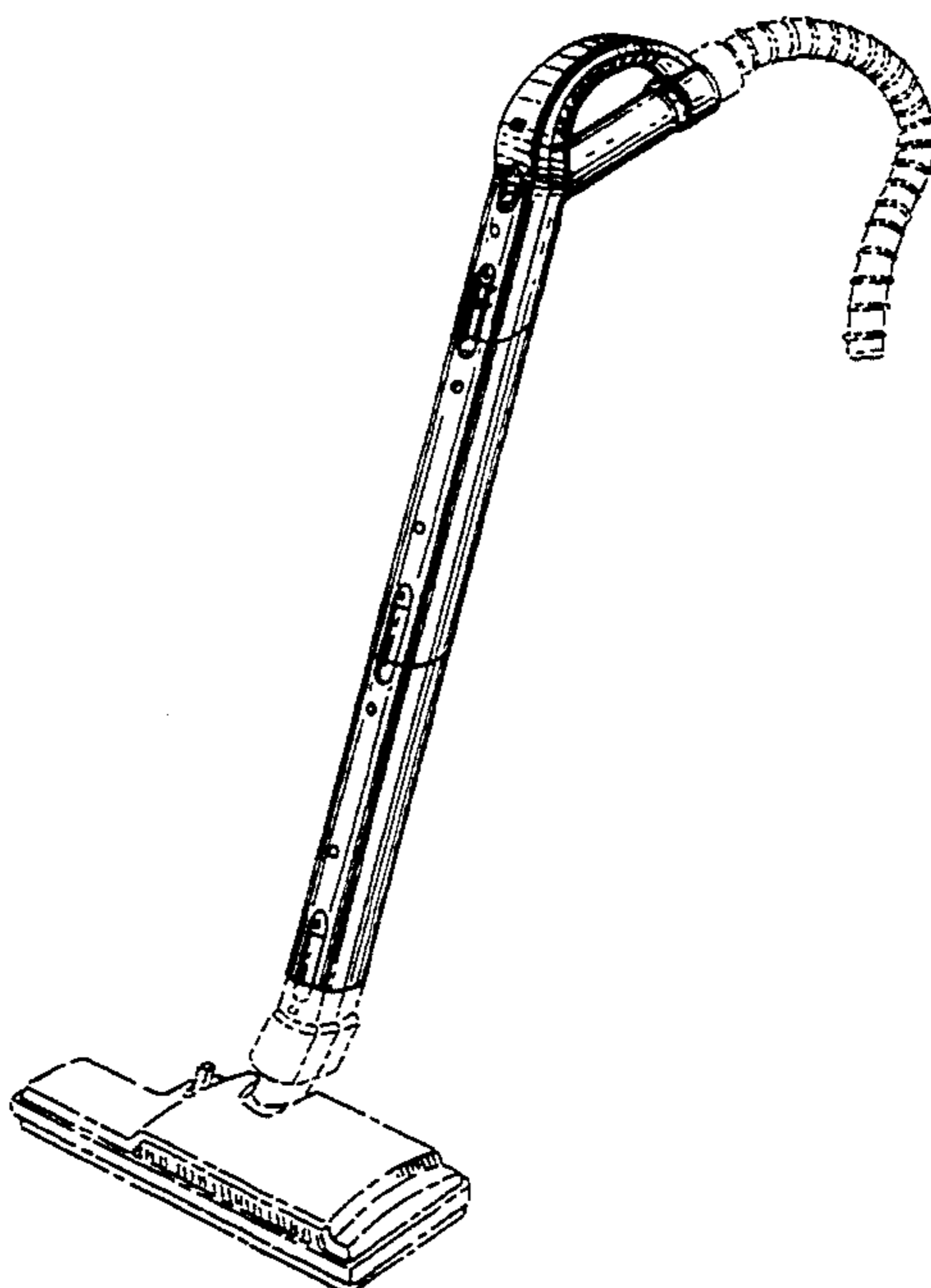
Primary Examiner—Ruth McInroy
Attorney, Agent, or Firm—Jeffrey H. Ingerman;
Christopher P. Godziela

[57] CLAIM

The ornamental design for a combined vacuum cleaner handle and wand, as shown and described.

DESCRIPTION

FIG. 1 is a front, left, top perspective view of a combined vacuum cleaner handle and wand showing our new design;
FIG. 2 is a right side elevational view thereof, the left side being a mirror image thereof;
FIG. 3 is a front elevational view thereof;
FIG. 4 is a rear elevational view thereof;
FIG. 5 is a top plan view thereof; and,
FIG. 6 is a bottom plan view thereof.
The broken-line showing of a vacuum cleaner power nozzle in FIG. 1 is for illustrative purposes only and forms no part of the claimed design.



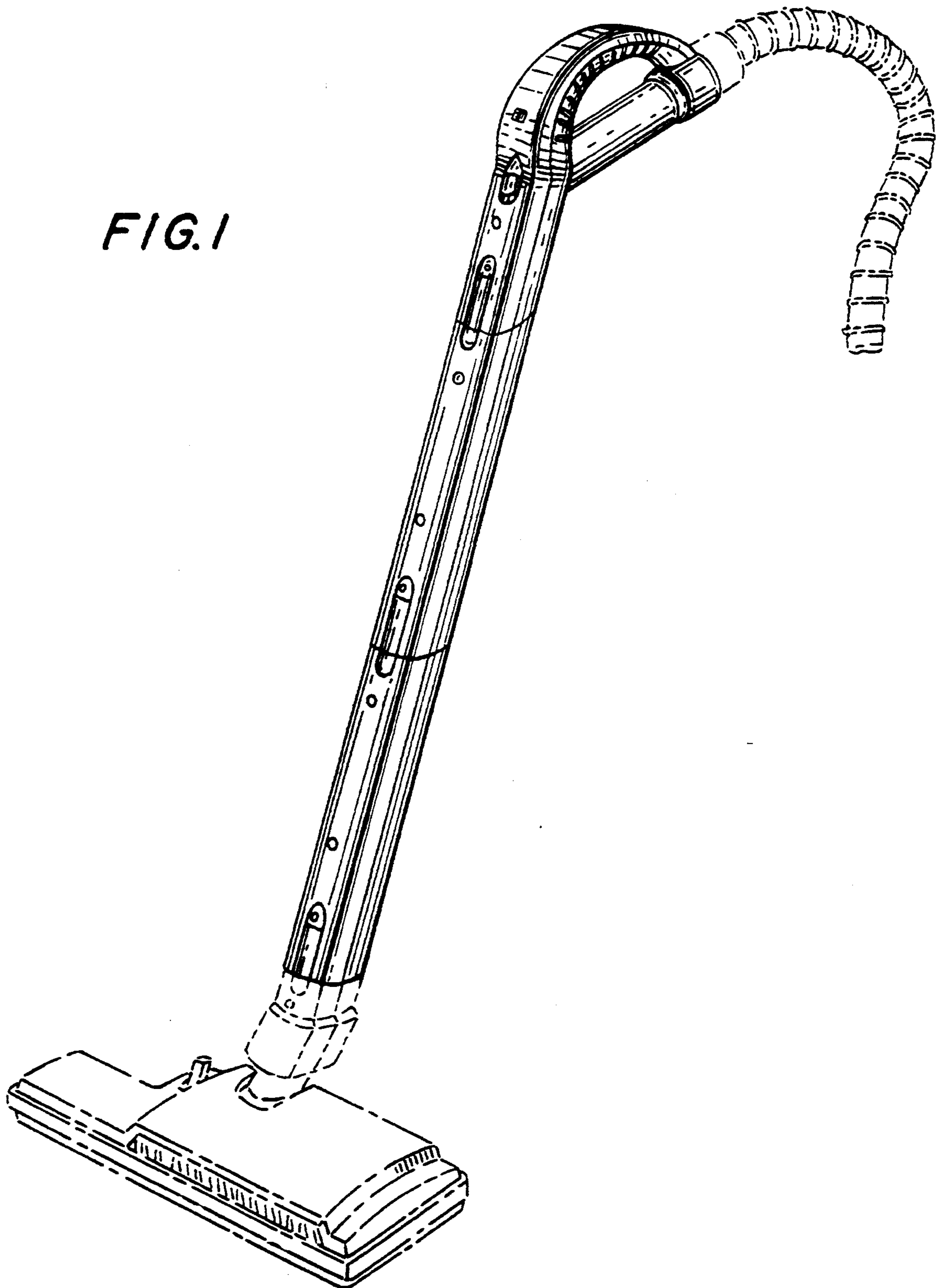


FIG. 1

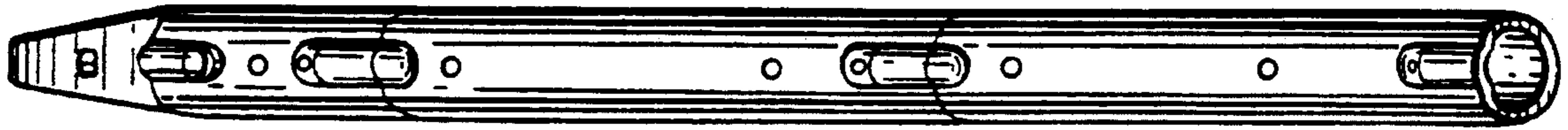


FIG. 3

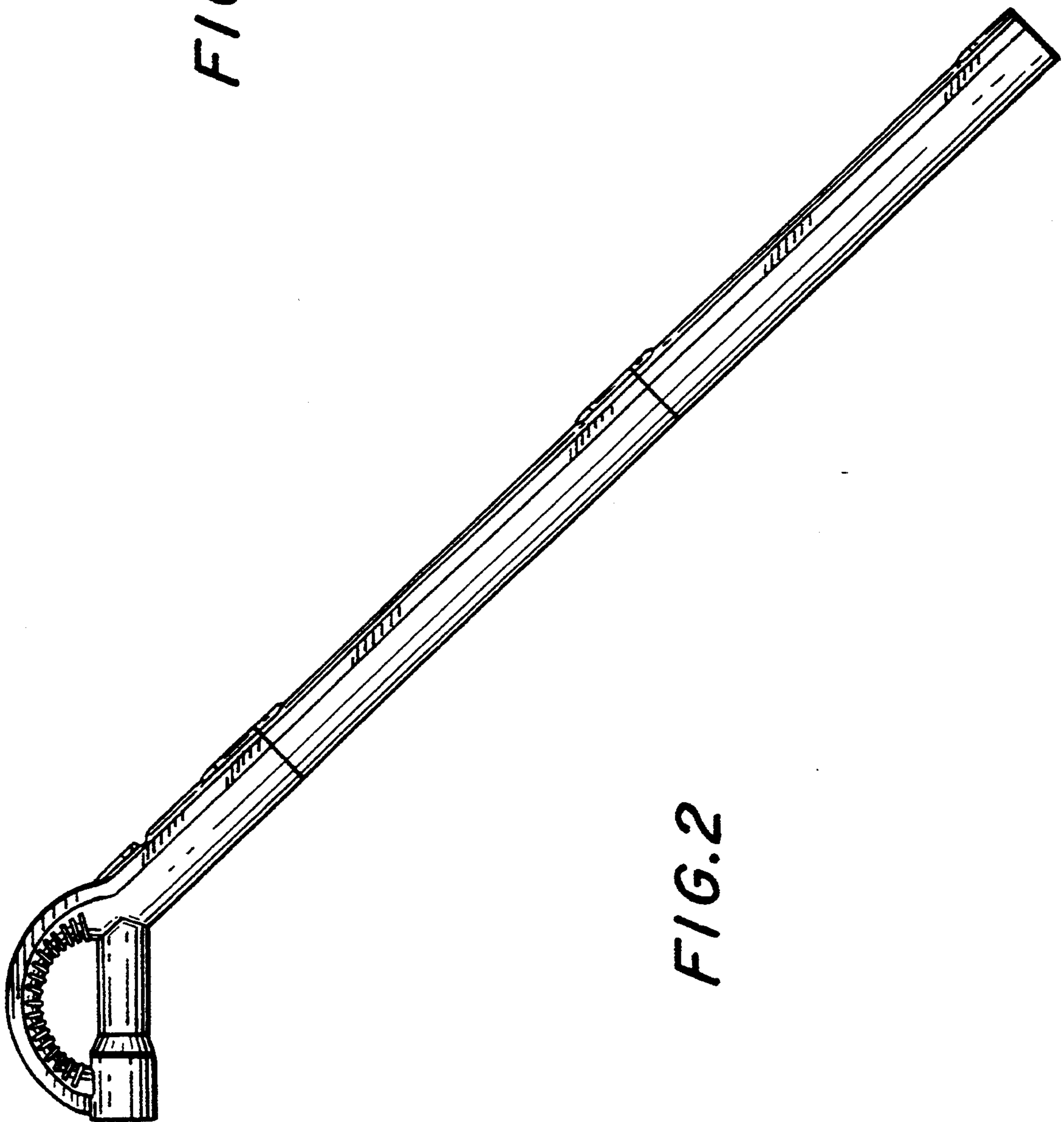


FIG. 2



FIG. 4

FIG. 5



FIG. 6

