



US00D353916S

United States Patent [19]
Ho

[11] **Patent Number: Des. 353,916**
[45] **Date of Patent: ** Dec. 27, 1994**

[54] **VACUUM CLEANER**
[75] **Inventor: Wo H. Ho, Hong Kong, Hong Kong**
[73] **Assignee: John Manufacturing Limited, Kowloon, Hong Kong**
[**] **Term: 14 Years**
[21] **Appl. No.: 3,773**
[22] **Filed: Jan. 14, 1993**

D. 287,657 1/1987 Yuen D32/18
D. 303,025 8/1989 Yamamoto et al. D32/18
D. 312,516 11/1990 Yuen D32/18

Primary Examiner—Ruth McInroy
Attorney, Agent, or Firm—Blakely, Sokoloff, Taylor & Zafman

[30] **Foreign Application Priority Data**

Sep. 4, 1992 [GB] United Kingdom 2025481
[52] **U.S. Cl. D32/18**
[58] **Field of Search D32/17-18, D32/21-22; 15/344, 329, 347**

[57] **CLAIM**

The ornamental design for a vacuum cleaner, as shown and described.

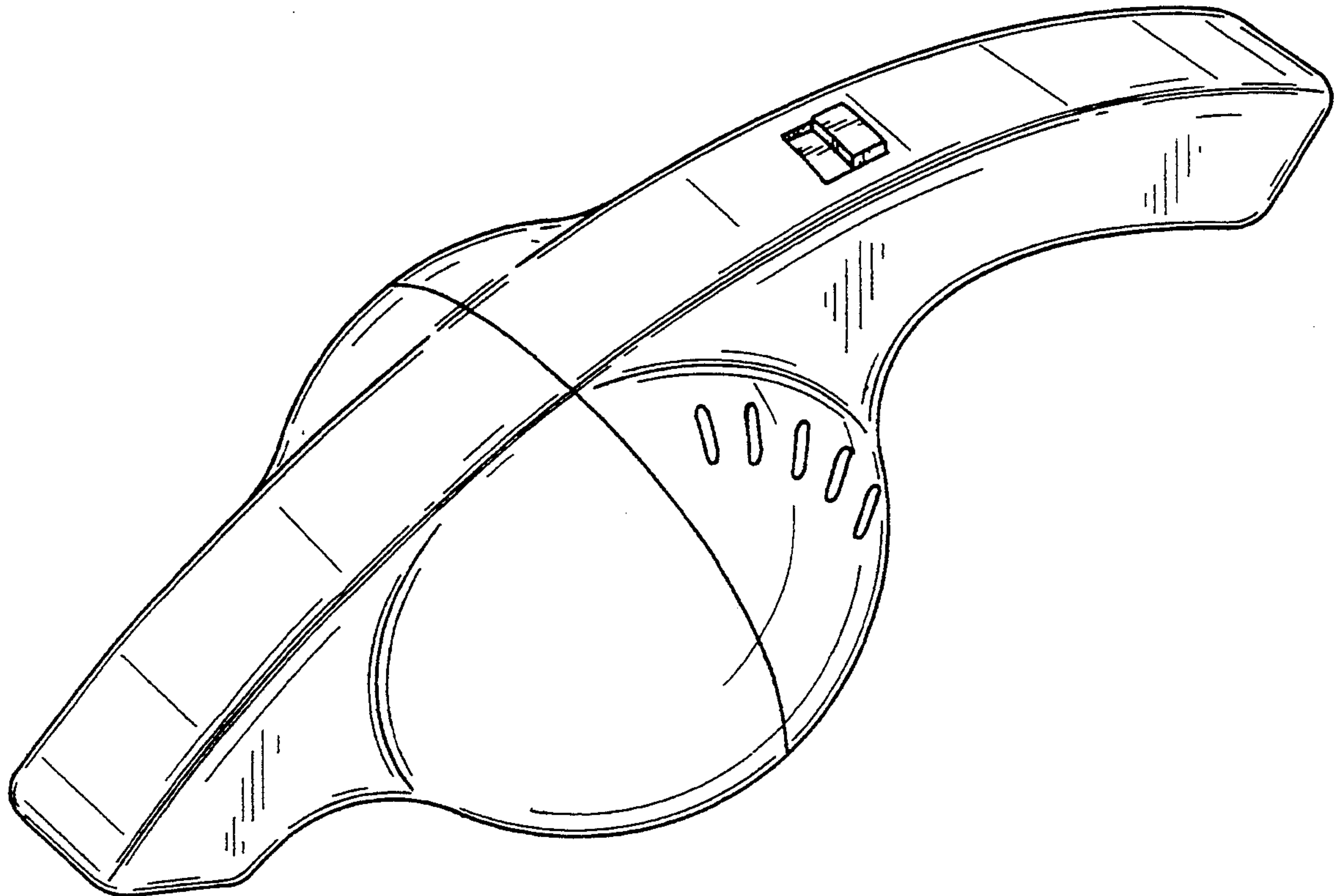
DESCRIPTION

FIG. 1 is a top, front and right side perspective view of a vacuum cleaner showing my new design; FIG. 2 is a rear elevational view thereof; FIG. 3 is a front elevational view thereof; FIG. 4 is a top plan view thereof; FIG. 5 is a bottom plan view thereof; FIG. 6 is a right side elevational view thereof; and, FIG. 7 is a left side elevational view thereof.

[56] **References Cited**

U.S. PATENT DOCUMENTS

D. 257,661 12/1980 Gantz D32/18



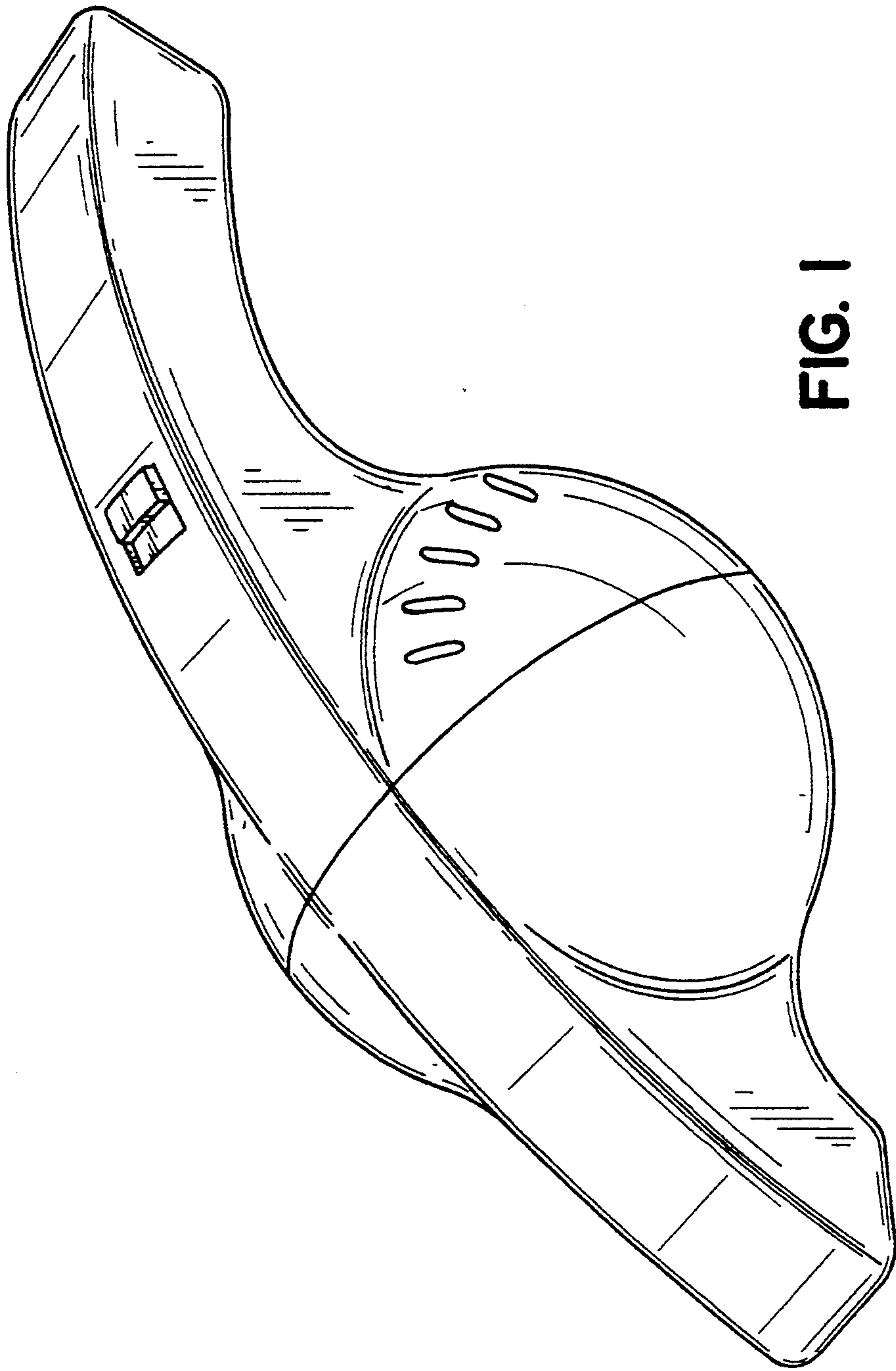


FIG. 1

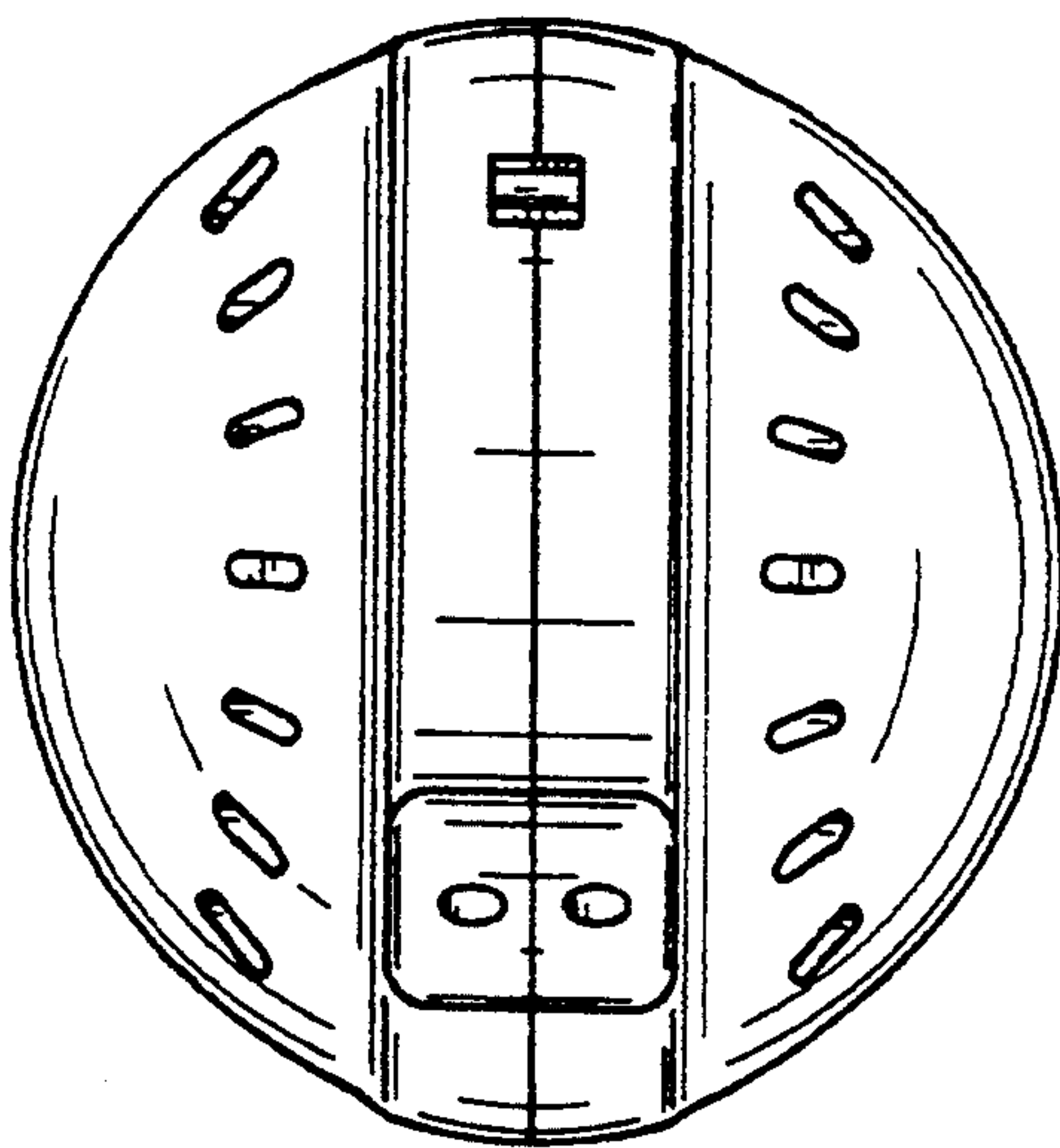


FIG. 2

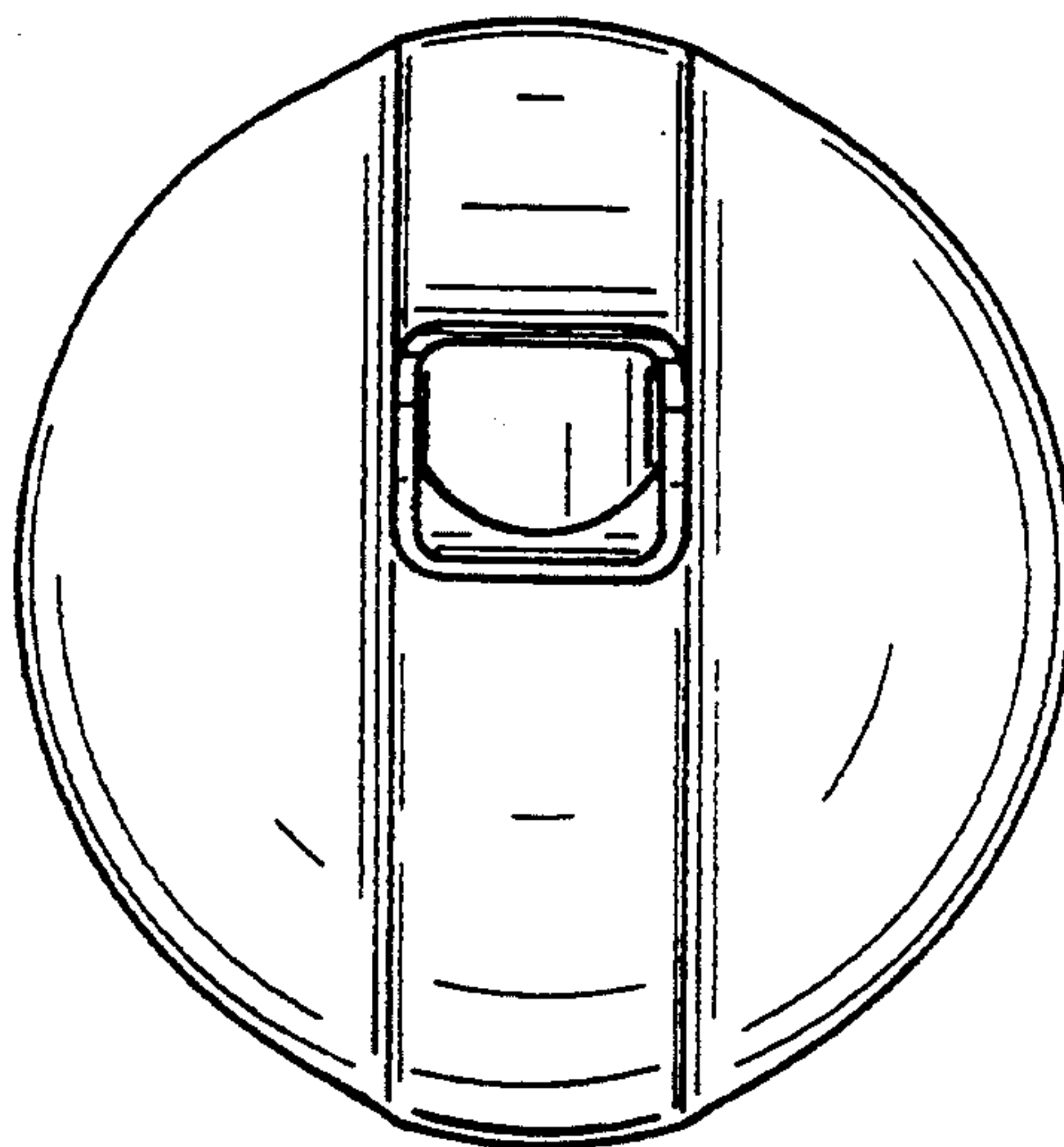


FIG. 3

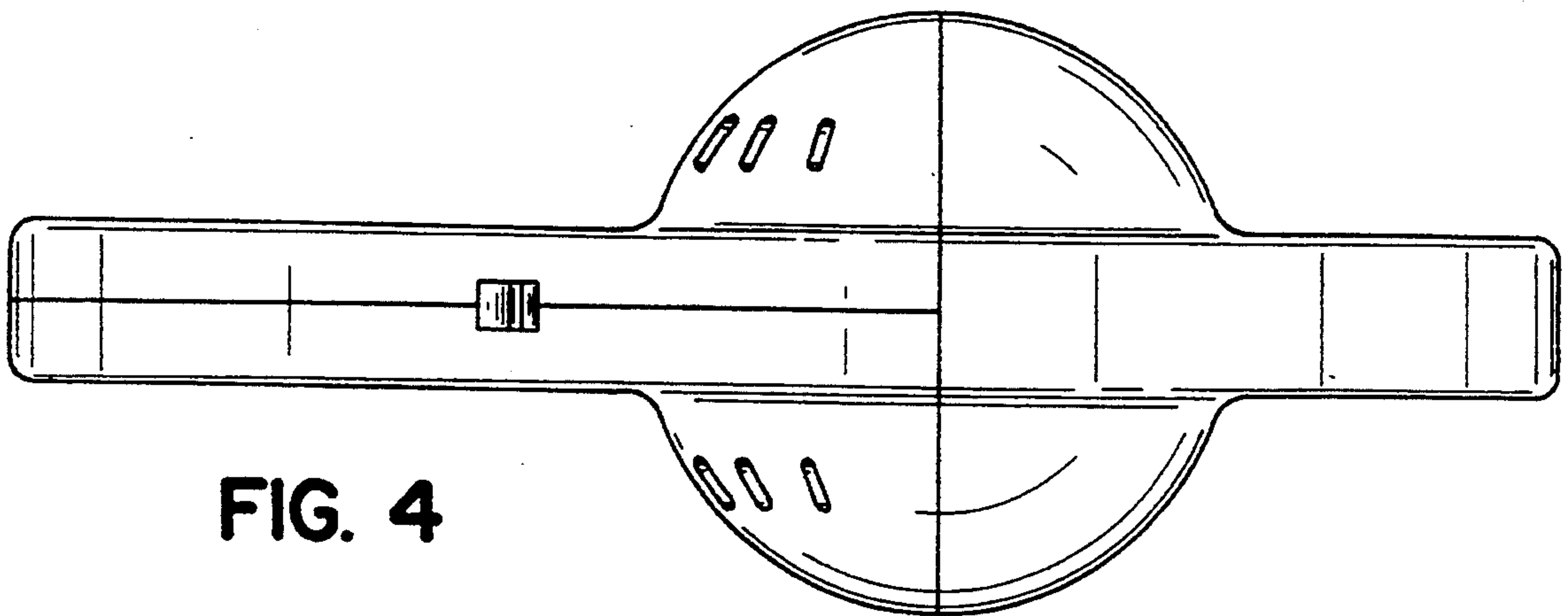


FIG. 4

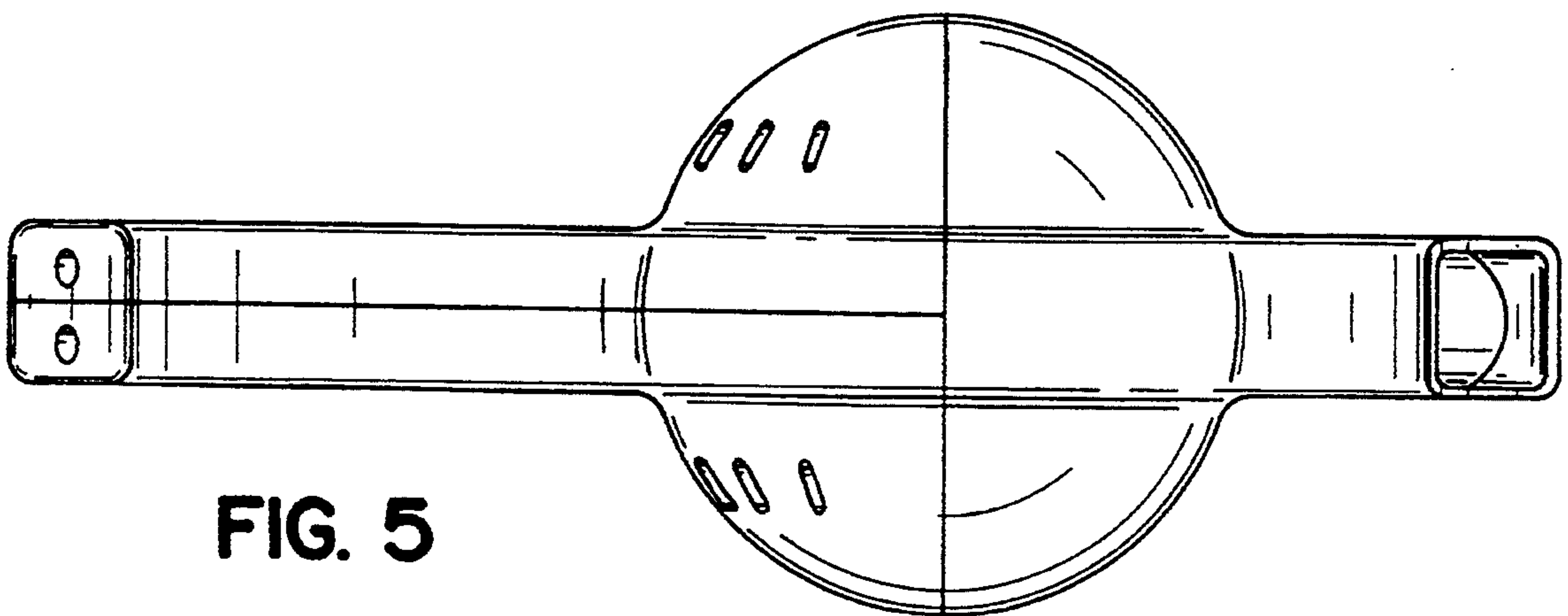


FIG. 5

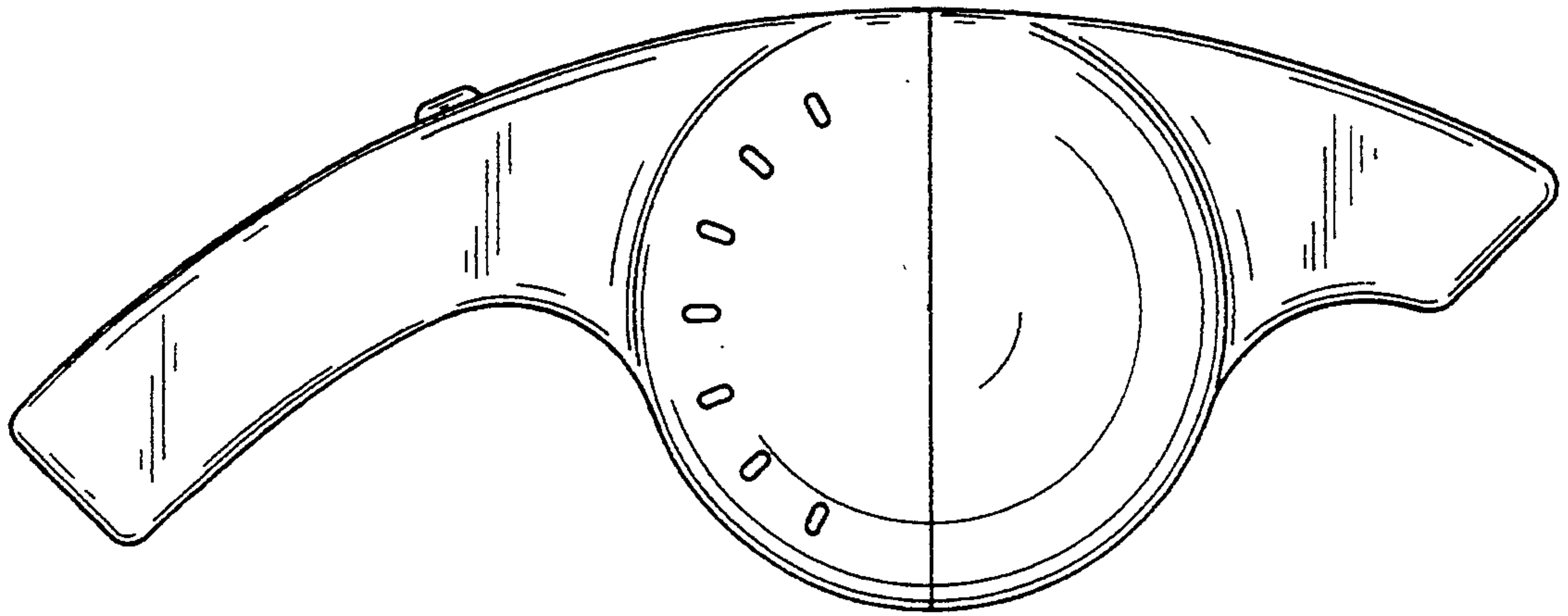


FIG. 6

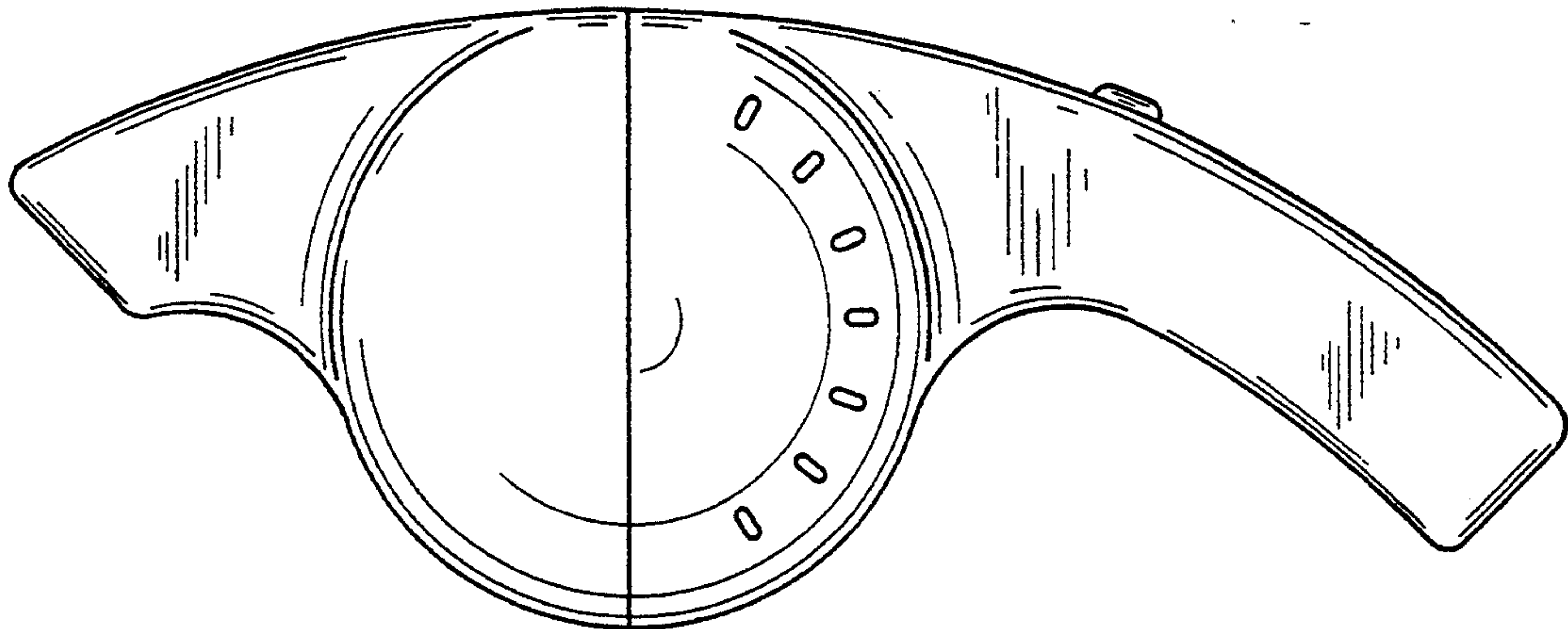


FIG. 7