



US00D353912S

# United States Patent [19]

[11] Patent Number: **Des. 353,912**

Shiao

[45] Date of Patent: **\*\* Dec. 27, 1994**

[54] **ADJUSTABLE LAMP STAND BASE**

3,492,739	2/1970	Boyle, Jr. ....	248/188.2 X
3,685,162	8/1972	Haun .....	248/170 X
4,629,150	12/1986	O'Callaghan .....	248/163.1 X
4,925,137	5/1990	Hastings .....	248/188.2 X
4,957,258	9/1990	Tiedemann .....	248/292.1
5,082,221	1/1992	Lai .....	248/168

[76] Inventor: **Hsuan-Sen Shiao**, No. 36, Lane 30, Sec. 2, Pei-Ping Rd., Taichung City, Taiwan, Prov. of China

[\*\*] Term: **14 Years**

*Primary Examiner*—Susan J. Lucas  
*Attorney, Agent, or Firm*—Harness, Dickey & Pierce

[21] Appl. No.: **7,946**

### [57] CLAIM

[22] Filed: **May 5, 1993**

The ornamental design for adjustable lamp stand base, as shown and described.

[52] U.S. Cl. .... **D26/140; D6/499; D26/63**

[58] Field of Search ..... D26/60, 61, 63, 65, D26/140, 496, 498, 499; 362/410-414, 418, 419, 427; 248/163.1, 167, 170, 188.7, 188.2, 292.1, 431, 435

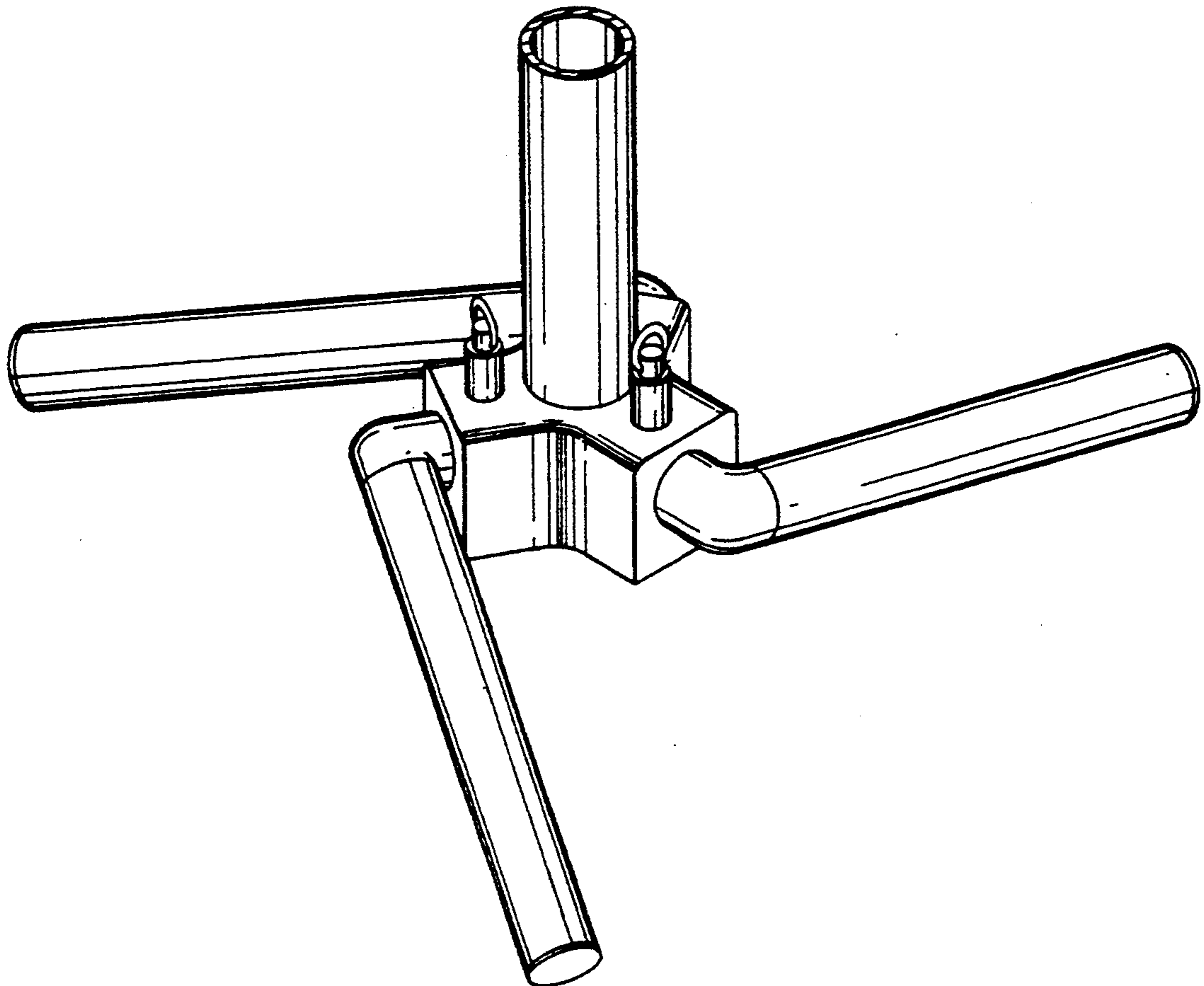
### DESCRIPTION

### [56] References Cited

#### U.S. PATENT DOCUMENTS

D. 330,606	10/1992	Lee .....	D26/63
2,436,298	2/1948	Gunderson .....	248/166 X
3,173,642	3/1965	Greenspan .....	248/170

FIG. 1 is a perspective view of adjustable lamp stand base showing my new design;  
FIG. 2 is a front elevational view thereof;  
FIG. 3 is a rear elevational view thereof;  
FIG. 4 is a left side elevational view thereof;  
FIG. 5 is a right side elevational view thereof;  
FIG. 6 is a top plan view thereof;  
FIG. 7 is a bottom plan view thereof; and,  
FIG. 8 is a side view thereof when folded.



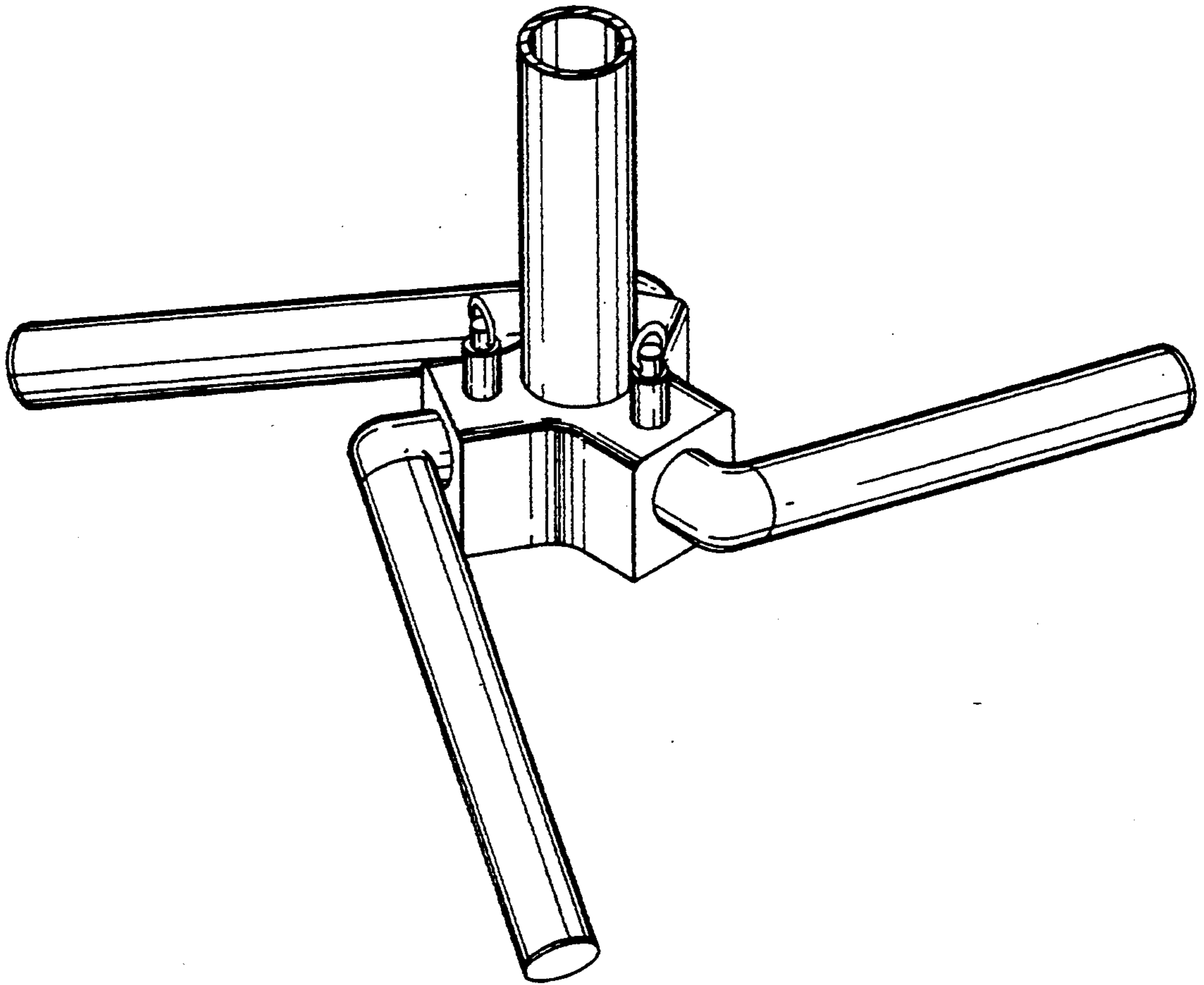


FIG. 1

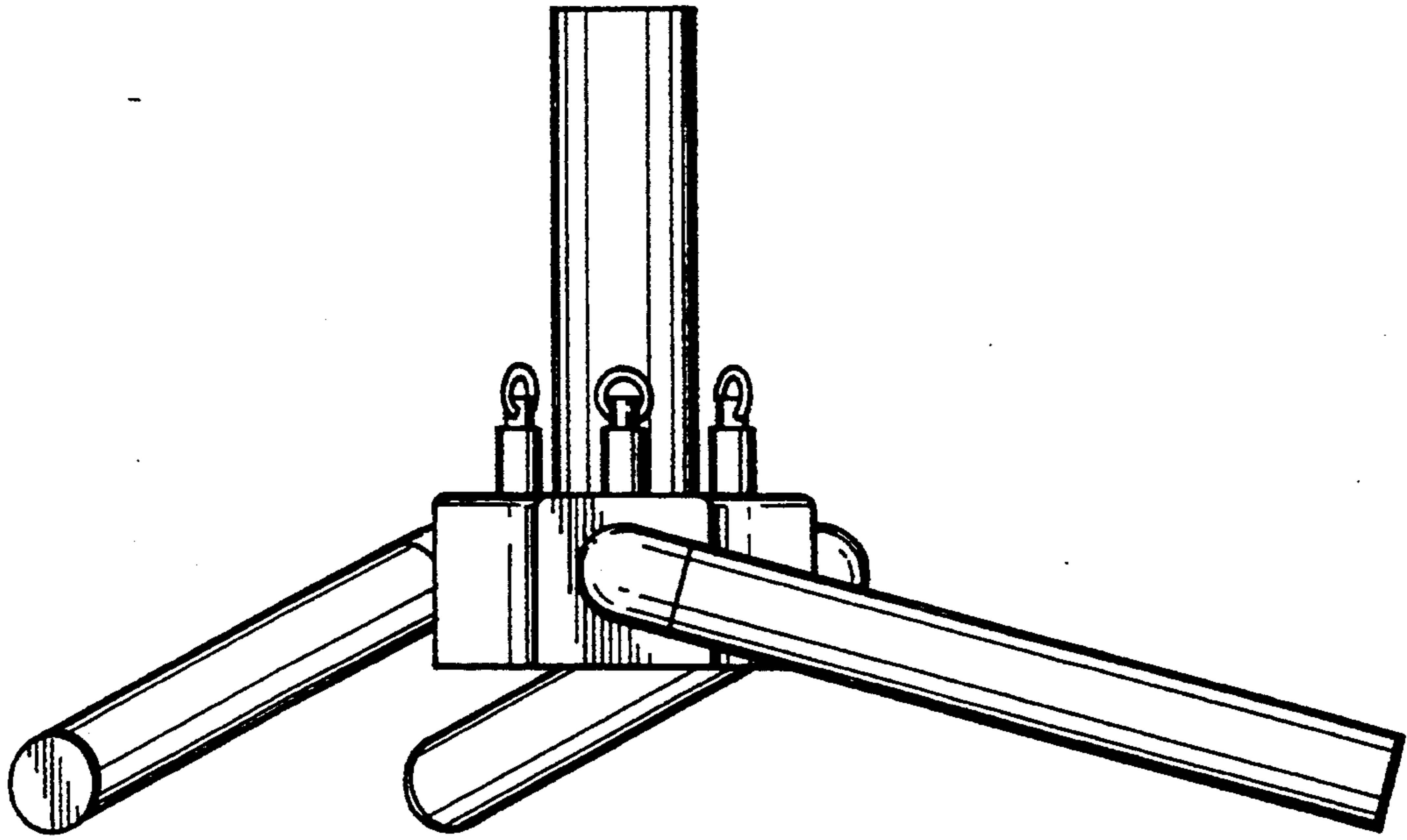


FIG. 2

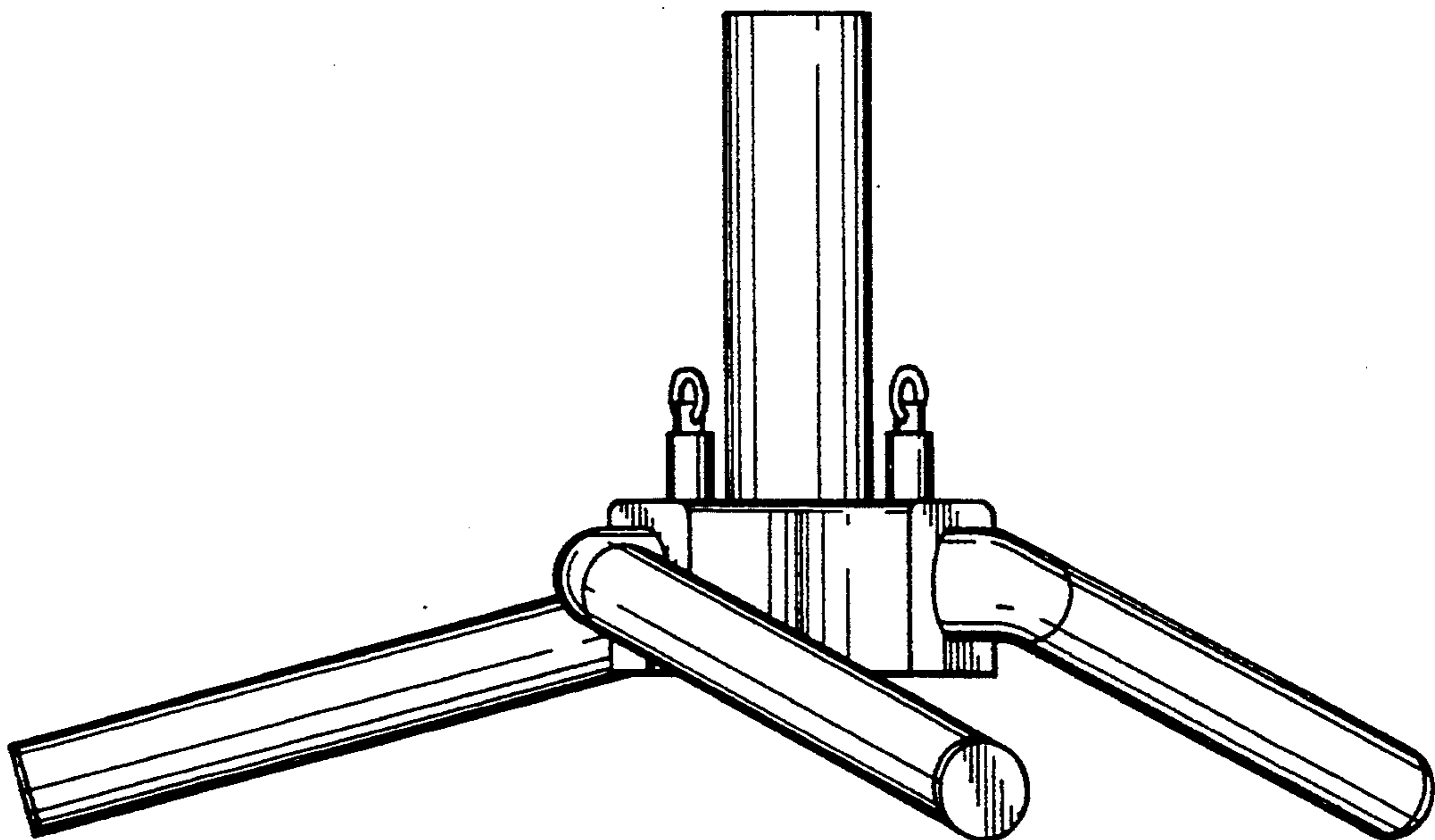


FIG. 3

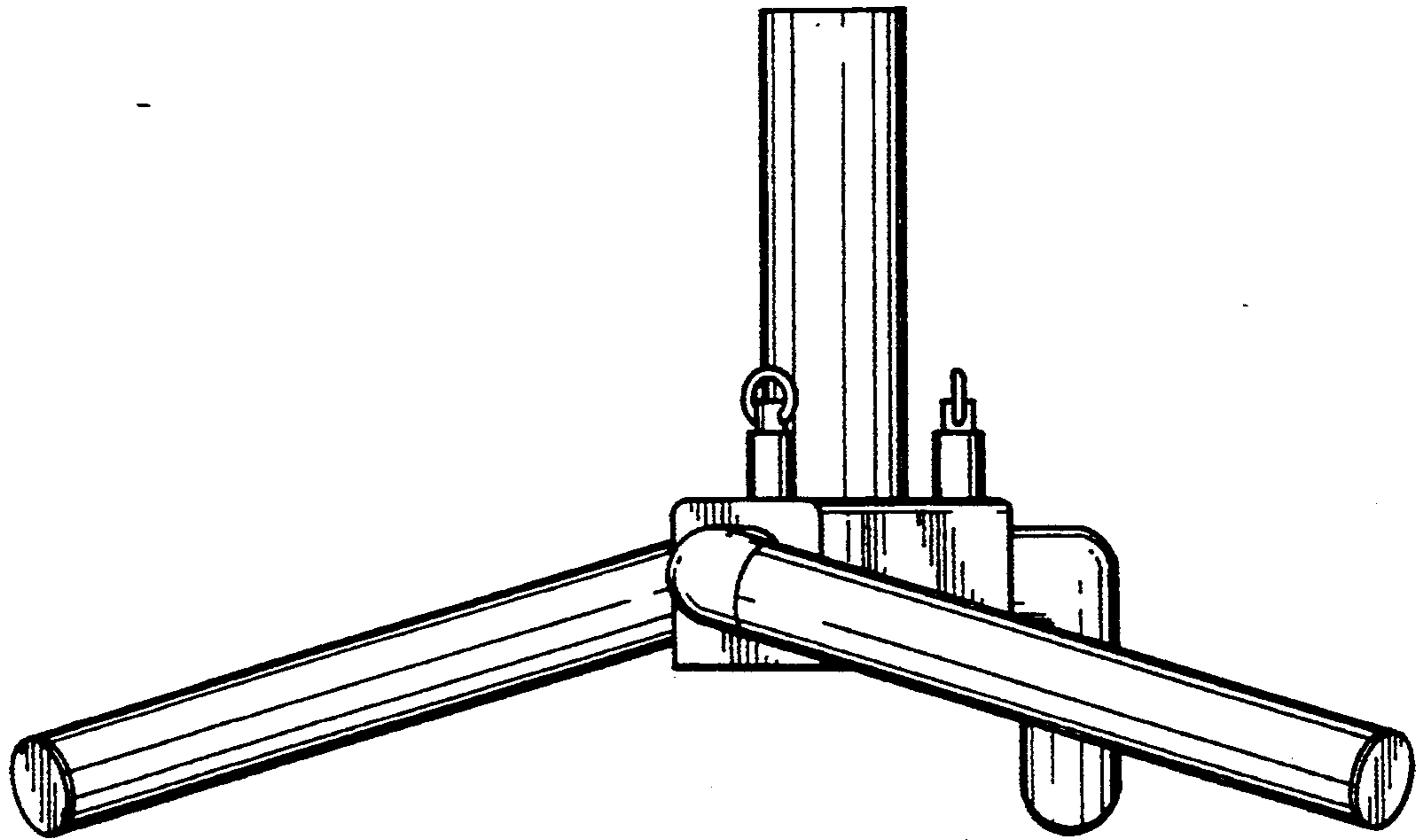


FIG. 4

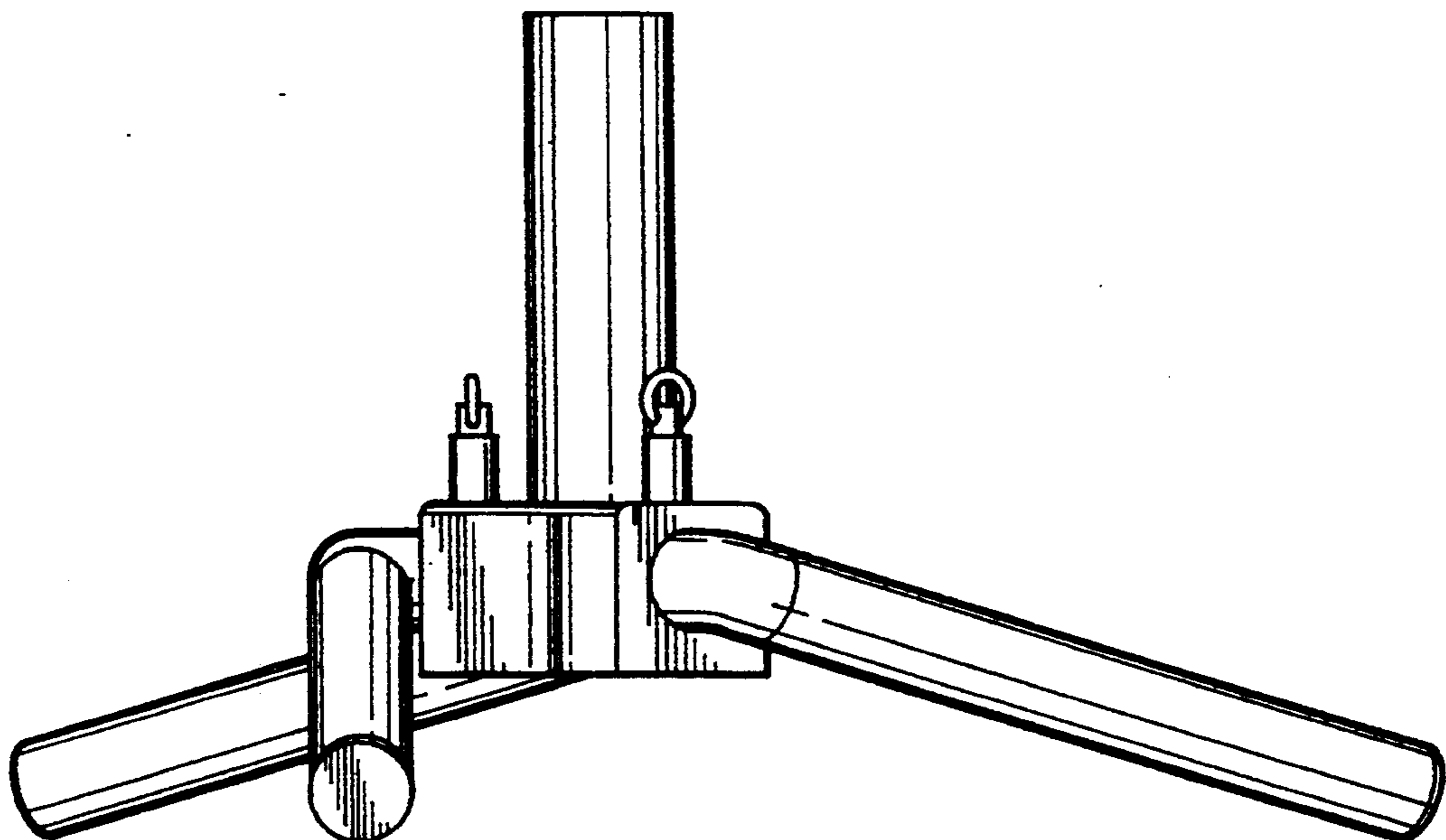


FIG. 5

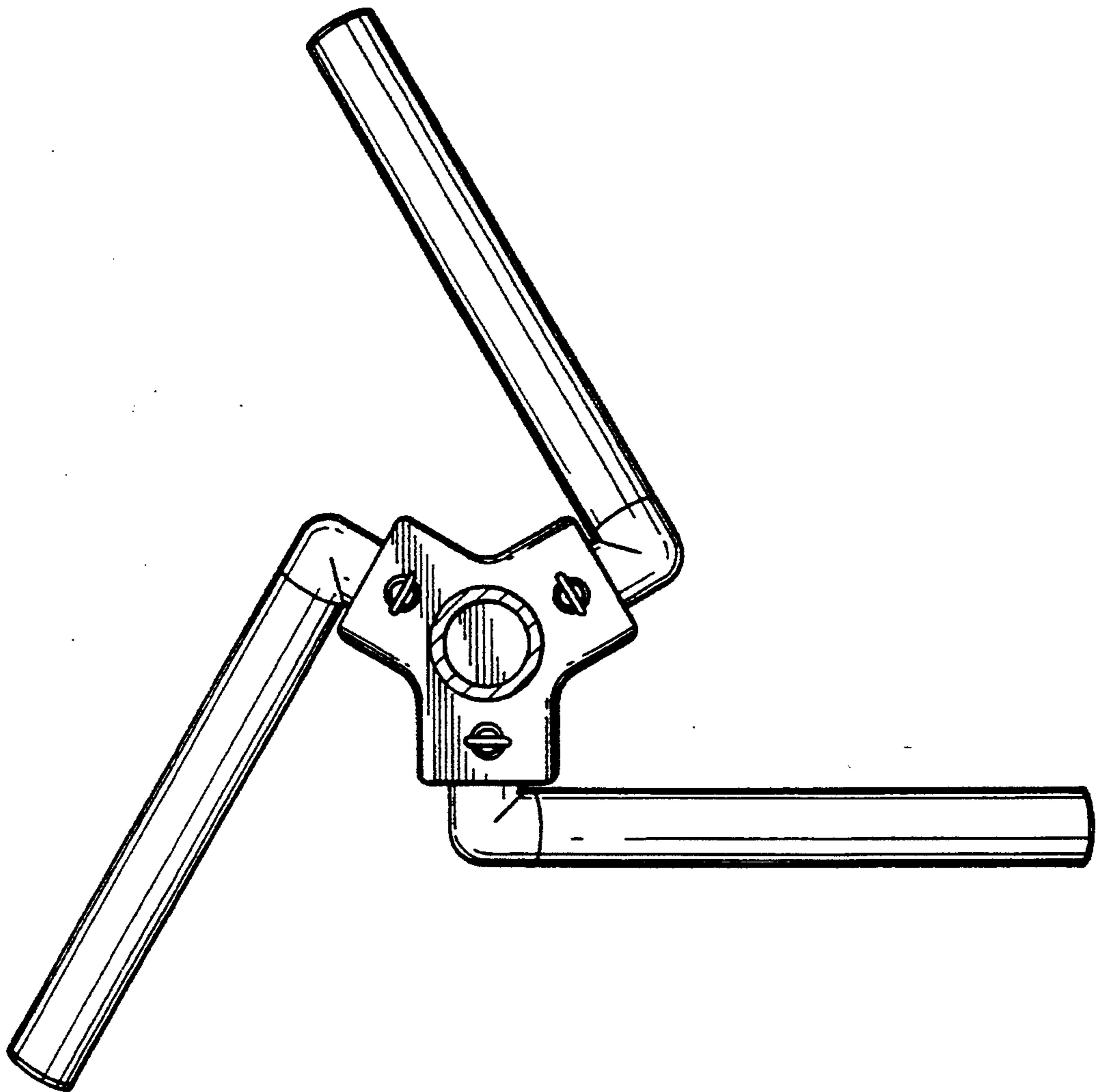


FIG. 6



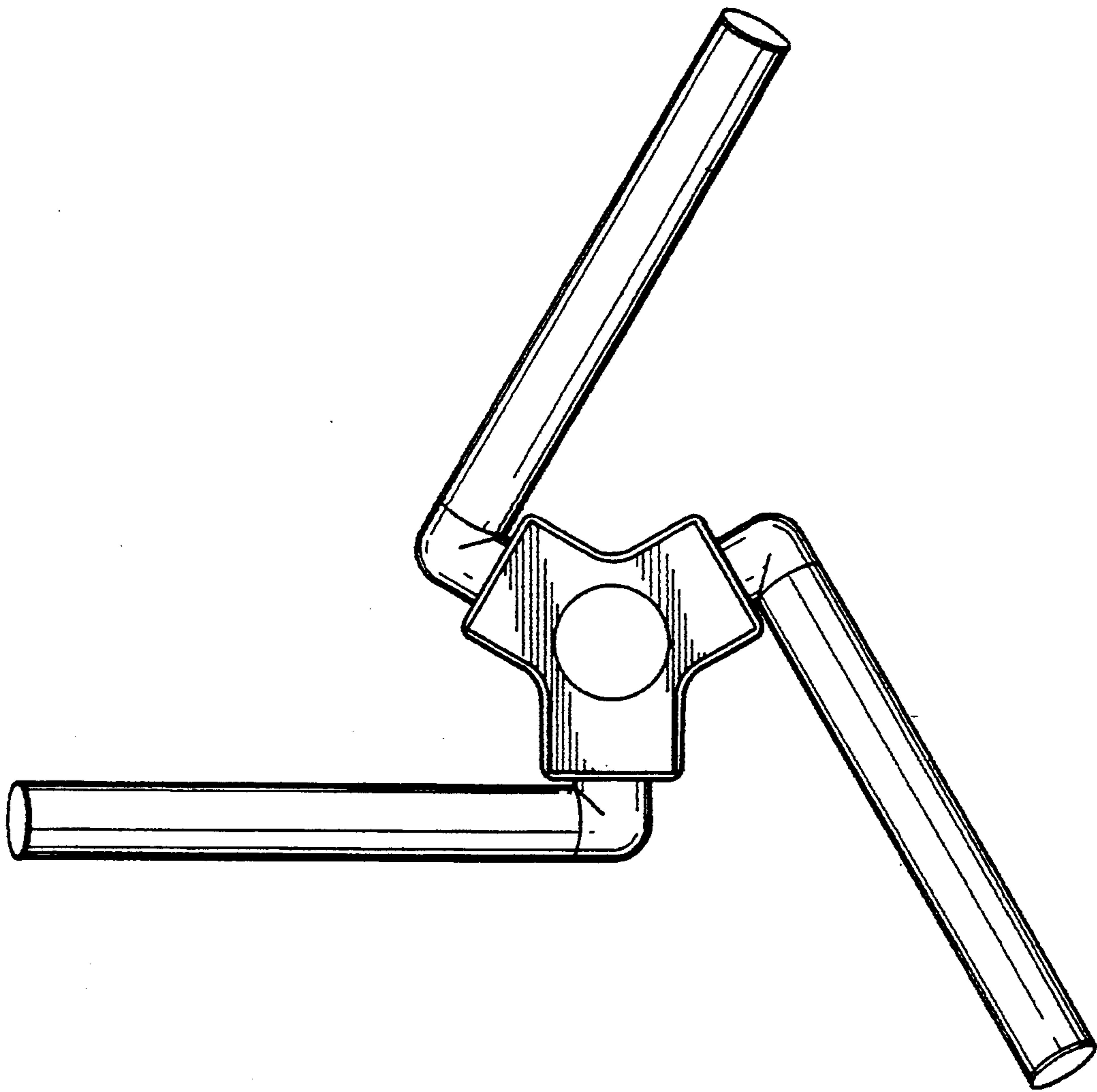


FIG. 7

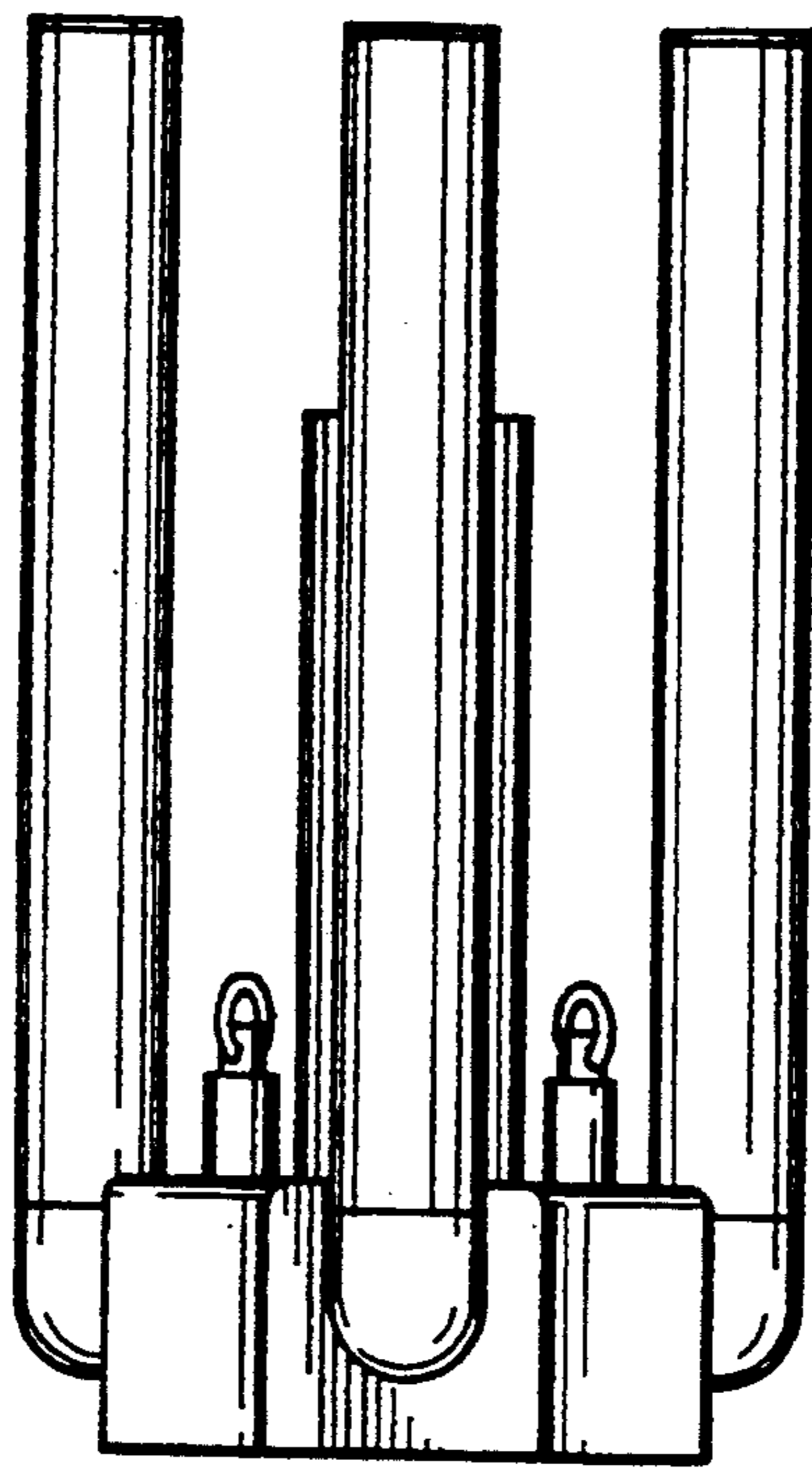


FIG. 8