



US00D353911S

United States Patent [19]

[11] Patent Number: **Des. 353,911**

Gordin et al.

[45] Date of Patent: **** Dec. 27, 1994**

[54] LIGHT FIXTURE CROSS-ARM ASSEMBLY

[75] Inventors: **Myron K. Gordin; Jim L. Drost**, both of Oskaloosa, Iowa

[73] Assignee: **Musco Corporation**, Oskaloosa, Iowa

[**] Term: **14 Years**

[21] Appl. No.: **5,125**

[22] Filed: **Feb. 24, 1993**

[52] U.S. Cl. **D26/138; D25/127; D26/68**

[58] Field of Search **D26/67-71, D26/60, 63, 65, 138, 140; 362/431, 153, 249, 250, 418, 419, 427, 269, 285, 287; D25/126, 127**

[56] References Cited

U.S. PATENT DOCUMENTS

Re. 30,000	5/1979	Loffler .	
D. 88,513	12/1932	Farnam	D25/127
D. 257,891	1/1981	Drost et al.	D26/69
D. 337,168	7/1993	Gordin et al.	D26/67
689,387	12/1901	Crossland .	
839,272	12/1906	Crow .	
976,879	11/1910	Hughs .	
1,244,652	10/1917	Southgate .	
1,567,301	12/1925	Ross .	
3,270,480	9/1966	Beeker .	
3,325,950	6/1967	Pfaff, Jr. .	
3,865,498	2/1975	Okuto et al. .	
4,190,881	2/1980	Drost et al.	362/250
4,220,981	9/1980	Koether .	
4,228,489	10/1980	Martin	362/418 X
4,374,407	2/1983	Drost et al.	362/432
4,423,471	12/1983	Gordin et al. .	
4,450,507	5/1984	Gordin	362/61
4,712,167	12/1987	Gordin et al.	362/233
4,878,160	10/1989	Reneau et al. .	
4,894,759	1/1990	Siems .	

FOREIGN PATENT DOCUMENTS

1162522	9/1958	France	174/45
2536780	11/1982	France .	
426074	12/1933	Germany .	
2255713	5/1974	Germany .	
3440531	3/1986	Germany .	
717699	11/1951	United Kingdom .	

OTHER PUBLICATIONS

Centrecon, "Sportsliner II-50", 4 page brochure (date unknown) U.S.A. (prior to 1990).

Centrecon, Incorporated, "FL" Series Floodlighting, pp. FL-20.0-20.1 (date unknown) U.S.A. (prior to 1990).

Primary Examiner—Susan J. Lucas

Attorney, Agent, or Firm—Zarley, McKee, Thomte, Voorhees & Sease

[57] CLAIM

The ornamental design for a light fixture cross-arm assembly, as shown and described.

DESCRIPTION

FIG. 1 is a perspective view of an embodiment of the invention;

FIG. 2 is an enlarged perspective view of an embodiment of FIG. 1;

FIG. 3 is a front elevational view of FIG. 2;

FIG. 4 is a top plan view of FIG. 2;

FIG. 5 is a side elevational view of FIG. 2;

FIG. 6 is a back elevational view of FIG. 2;

FIG. 7 is a perspective view of another embodiment of the invention;

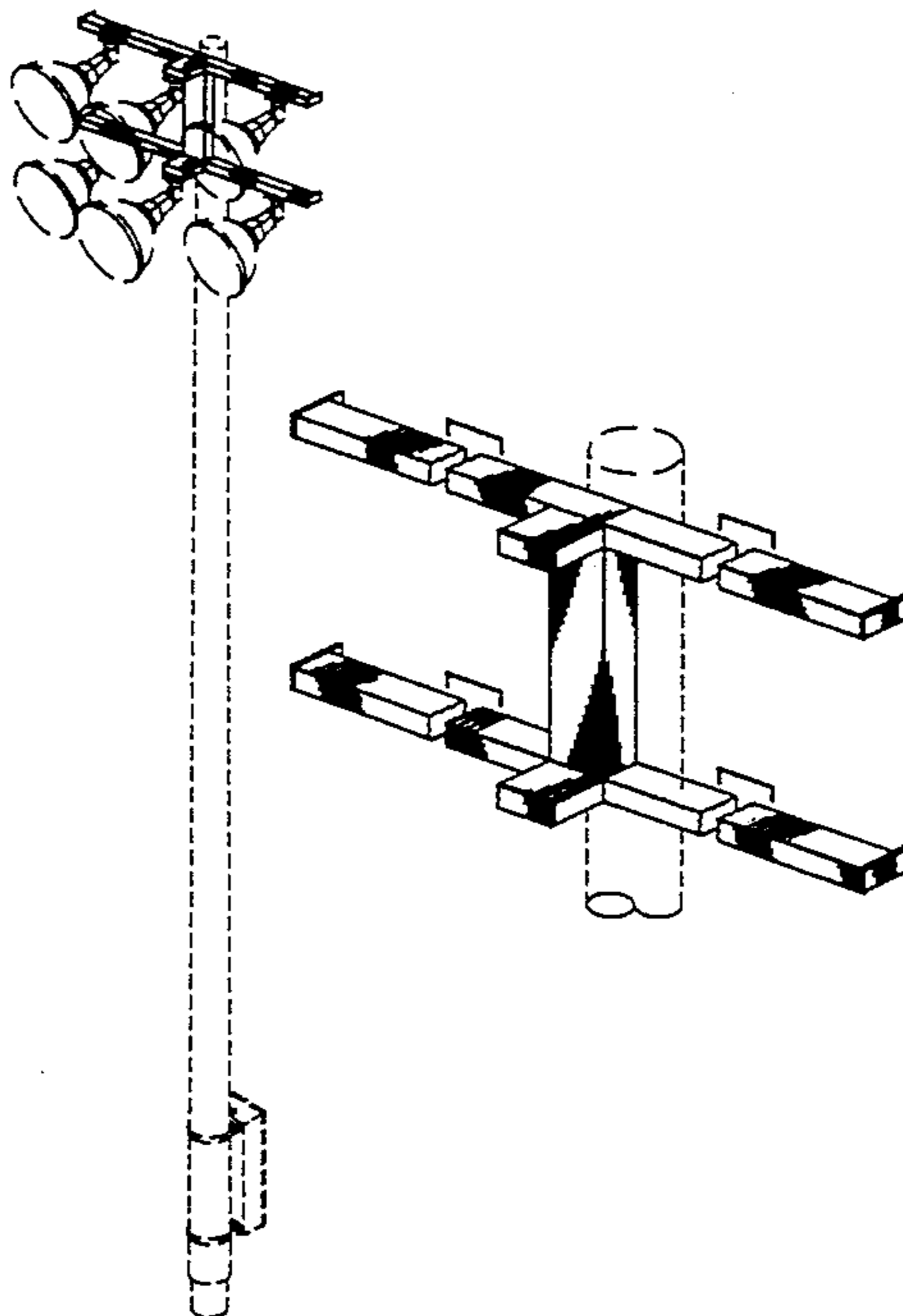
FIG. 8 is a front elevational view of FIG. 7;

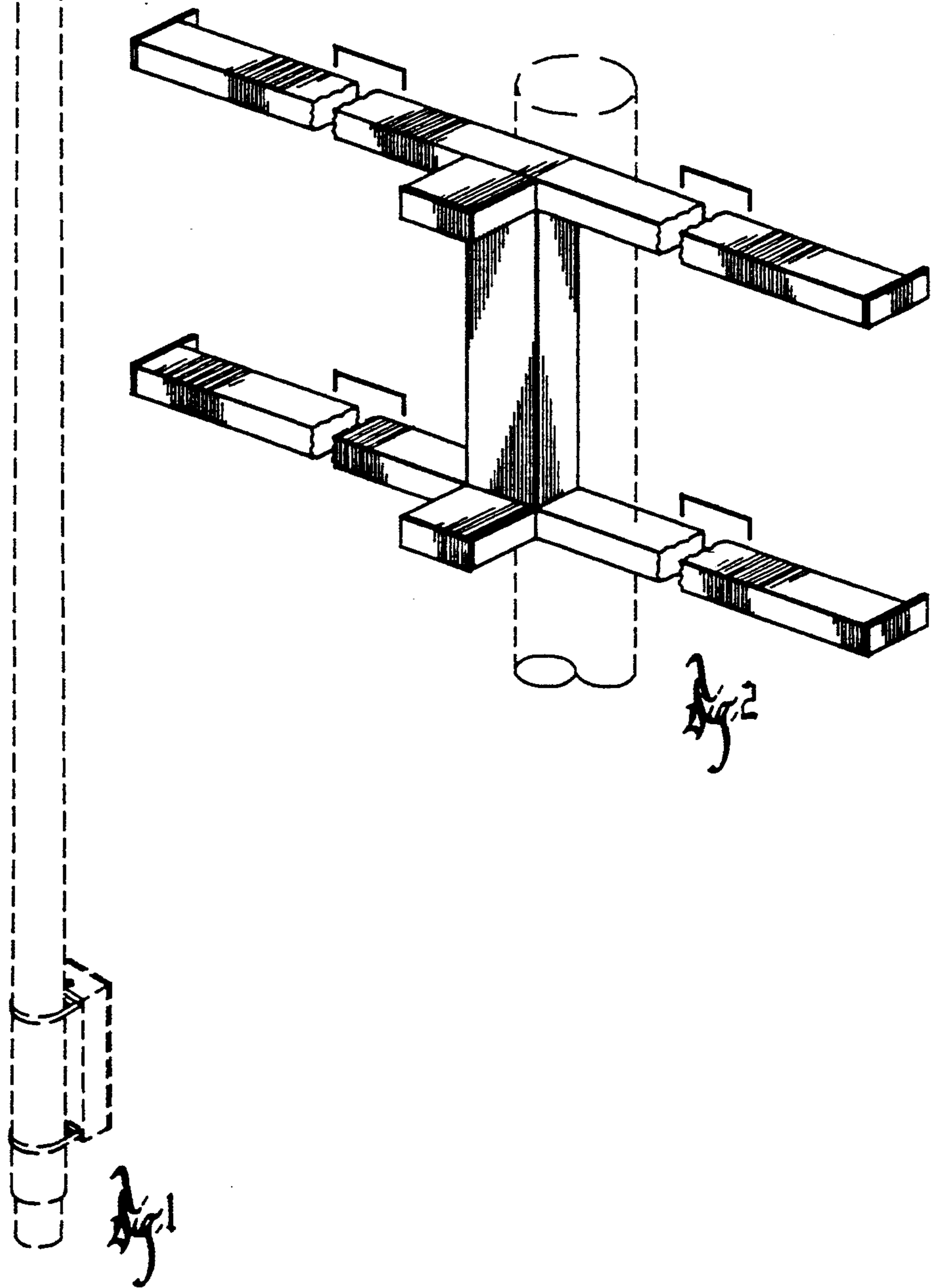
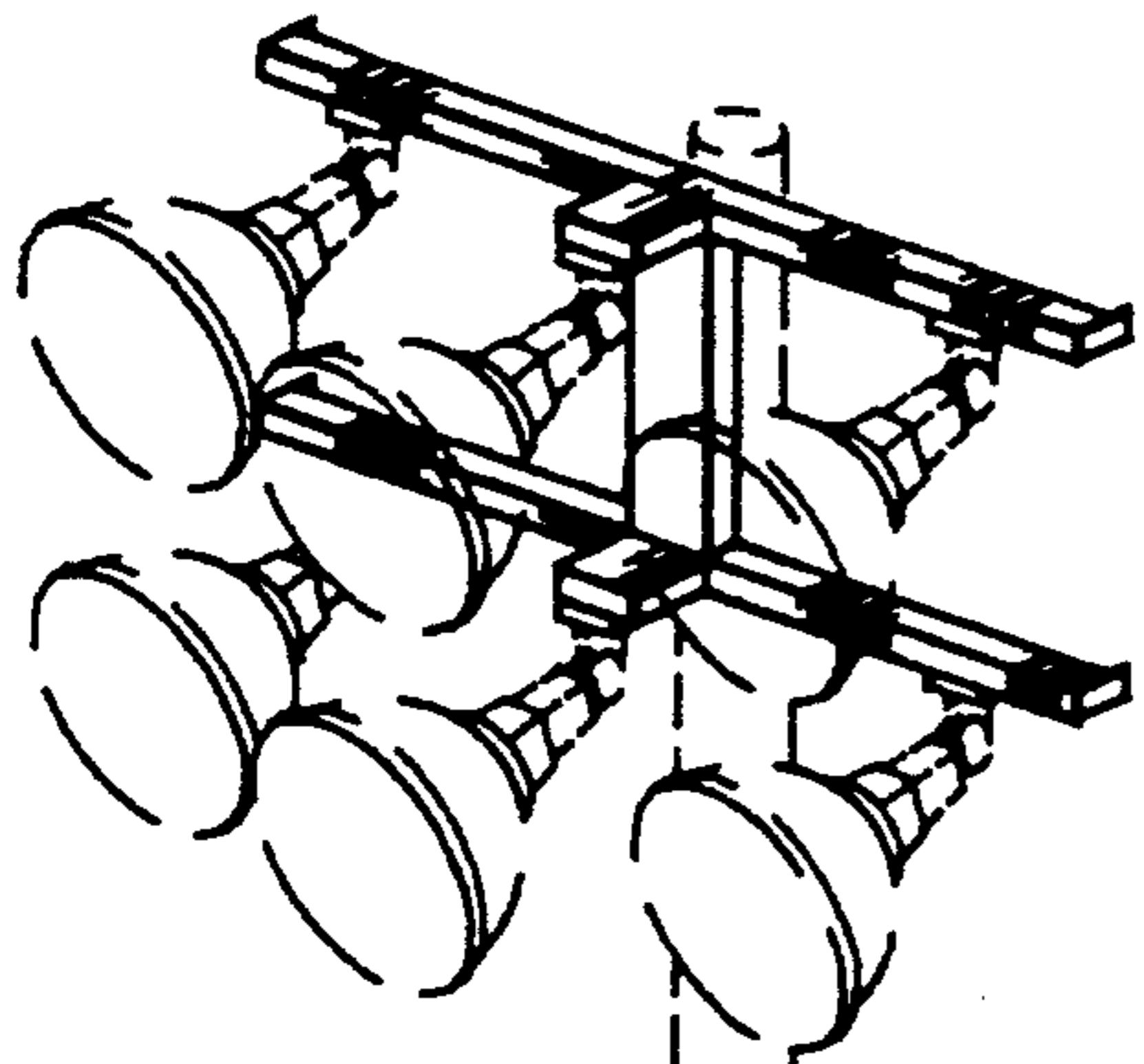
FIG. 9 is a top plan view of FIG. 7;

FIG. 10 is a side elevational view of FIG. 7; and,

FIG. 11 is a back elevational view of FIG. 7.

The lighting fixtures including mounting elements are shown in broken lines for illustration purposes only and form no part of the claimed design.





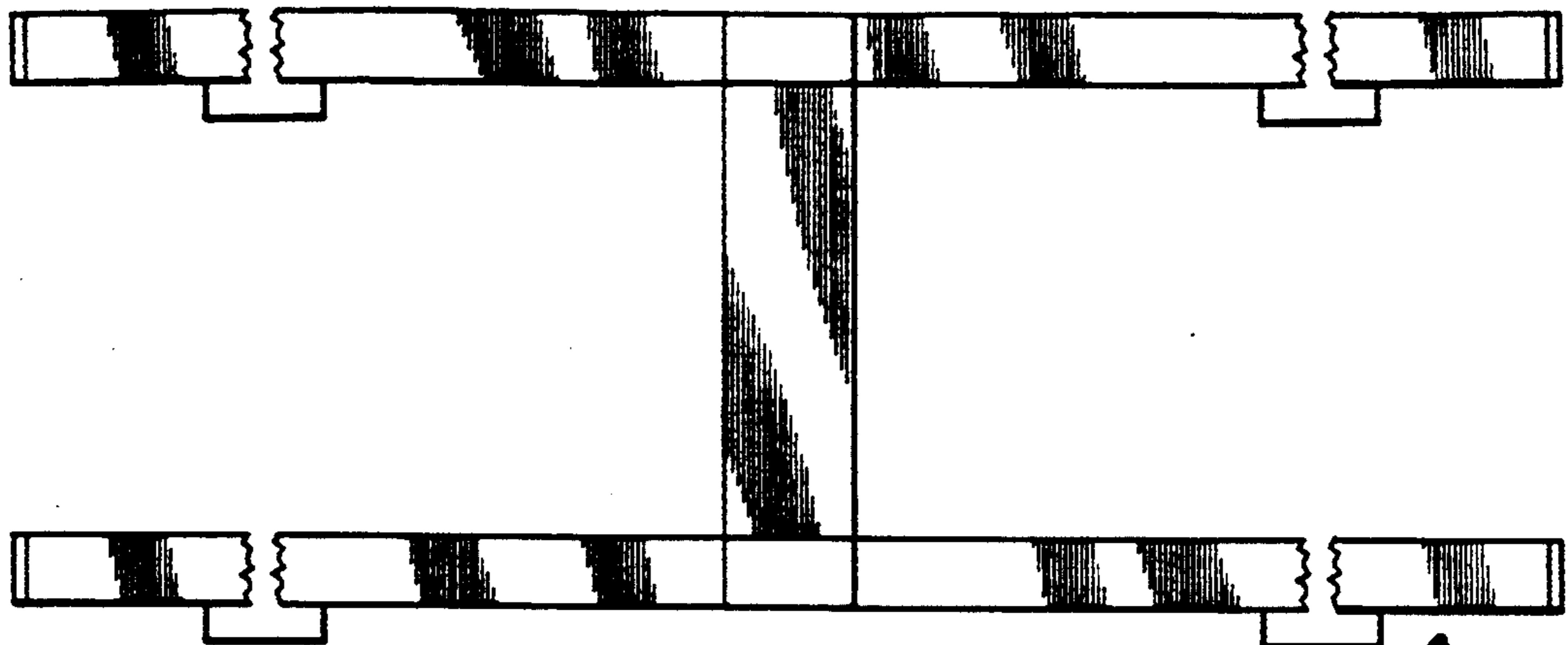


Fig. 3

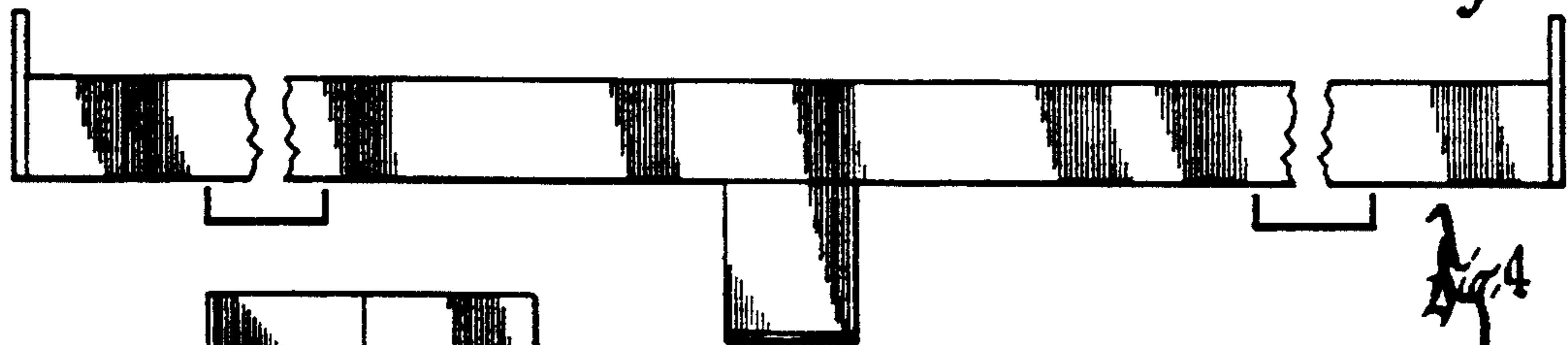


Fig. 4



Fig. 5

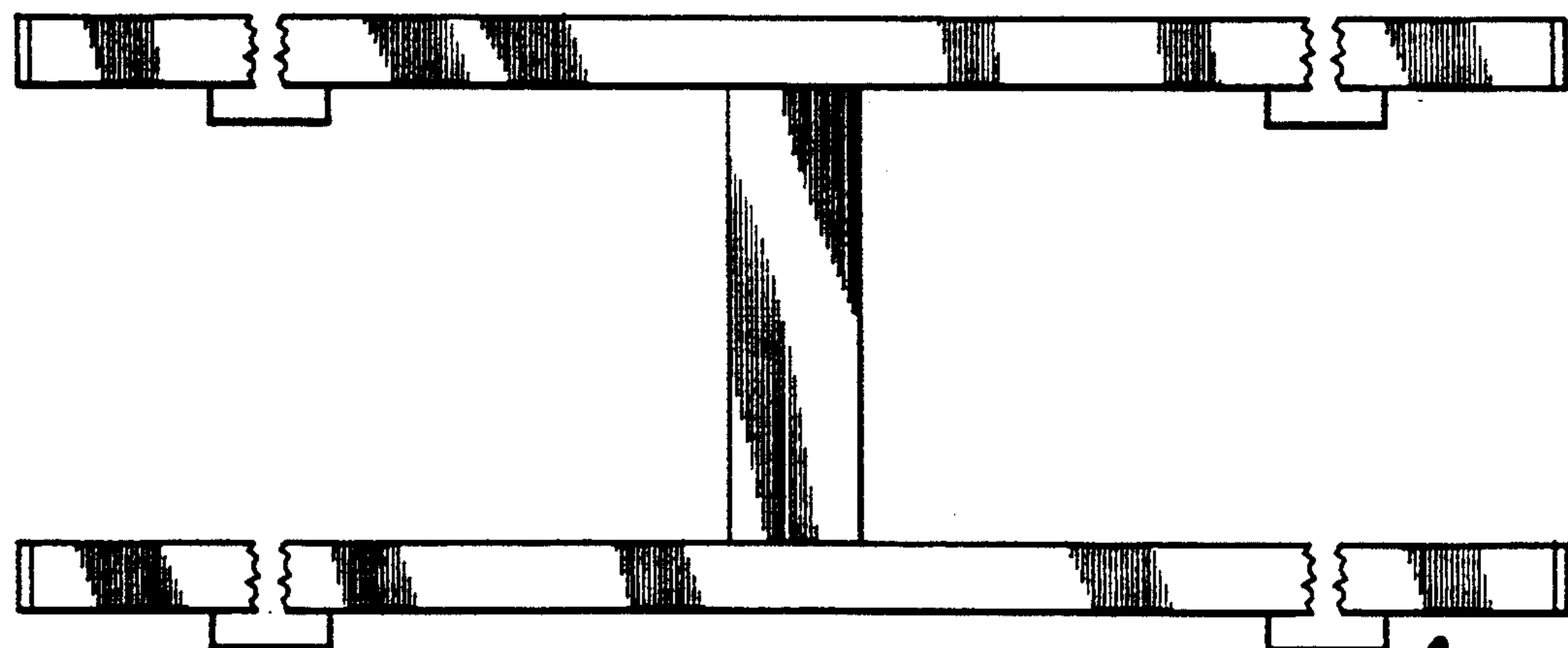


Fig. 6

