



US00D353910S

United States Patent [19]

[11] Patent Number: Des. 353,910

Hayman et al.

[45] Date of Patent: ** Dec. 27, 1994

[54] RING/BAFFLE ELEMENT

[75] Inventors: Peter A. Hayman, Arlington Heights; Giancinto C. D'Ercoli, Rolling Meadows, both of Ill.

[73] Assignee: Cooper Industries, Inc., Houston, Tex.

[**] Term: 14 Years

[21] Appl. No.: 12,354

[22] Filed: Aug. 31, 1993

[52] U.S. Cl. D26/118; D26/74

[58] Field of Search D26/118, 74, 72, 80-94; 362/147, 404, 405, 406, 407, 408, 364, 365

[56] **References Cited**

U.S. PATENT DOCUMENTS

D. 341,443	11/1993	Shapiro	D26/118
3,697,742	10/1972	Bobrick	362/364 X
4,754,377	6/1988	Wenman	.	
5,045,984	9/1991	Trowbridge et al.	362/147 X

OTHER PUBLICATIONS

Litecraft Mfg. Corp. Lighting Catalog, p. 17, Bezel for Recessed Fixture Lens.

Primary Examiner—Susan J. Lucas
Attorney, Agent, or Firm—Burns, Doane, Swecker & Mathis

[57] **CLAIM**

The ornamental design for a ring baffle element for recessed lighting fixture, as shown and described.

DESCRIPTION

FIG. 1 is a side elevational view of a ring baffle element for recessed lighting fixtures showing our new design, with a reflector to which the ring/baffle element for recessed lighting fixture is mounted being shown in phantom lines for illustrative purposes;

FIG. 2 is a side elevational view taken 180 degrees from the Fig. 1 view;

FIG. 3 is a right side elevational view taken 180 degrees from the FIG. 1 view;

FIG. 4 is a left side elevational view of FIG. 1;

FIG. 5 is a bottom plan view of FIG. 1 (as seen by observers when looking up toward a ceiling);

FIG. 6 is a top plan view of FIG. 1;

FIG. 7 is a bottom perspective view of FIG. 1 with a reflector depicted in phantom lines for illustrative purposes; and,

FIG. 8 is a cross-sectional view taken along the line 8—8 in FIG. 5.

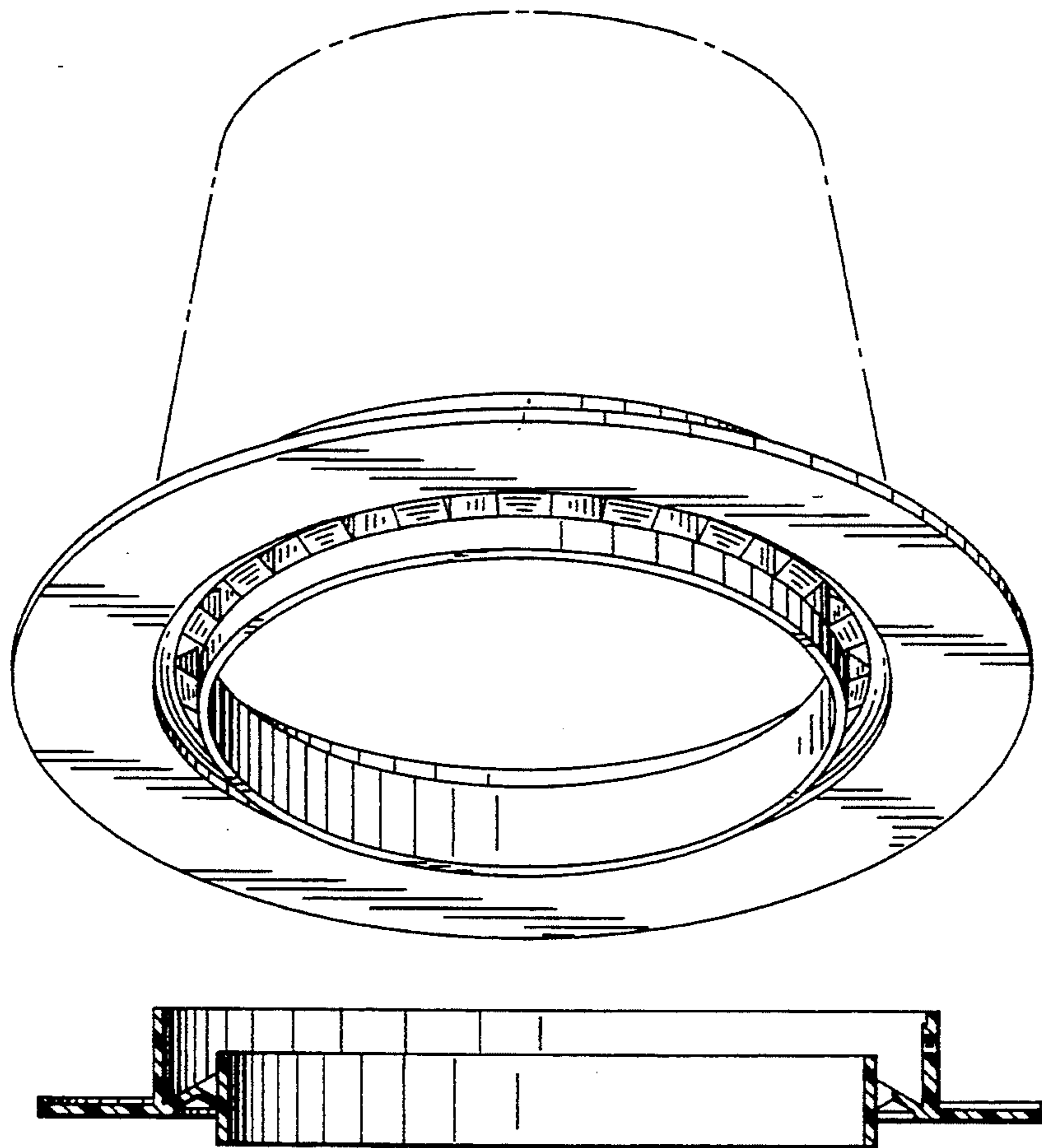


Fig. 1

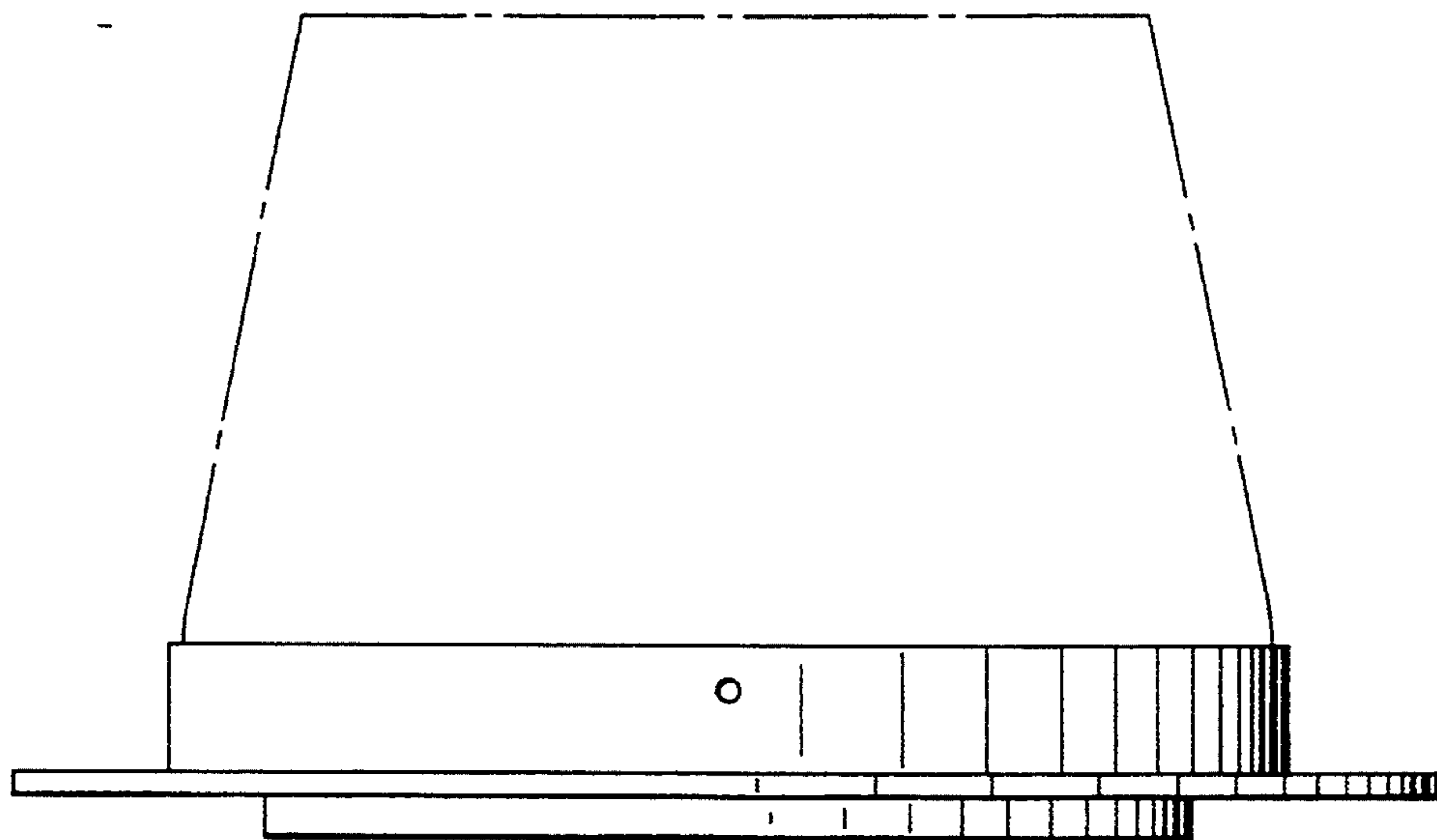


Fig. 2

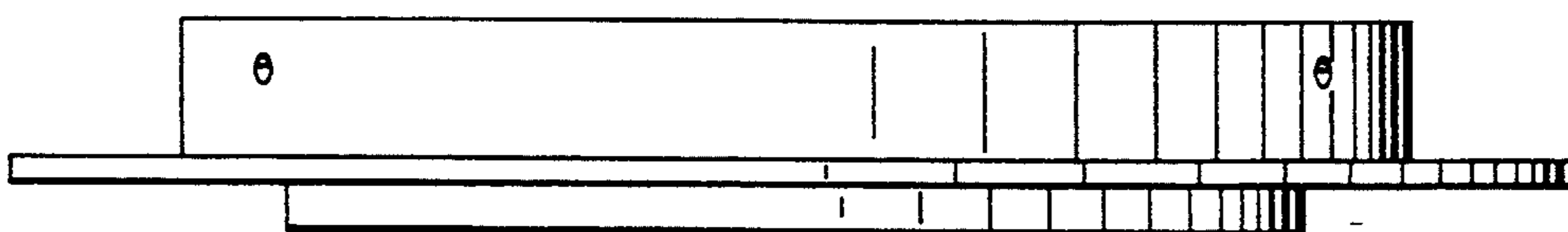


Fig. 3

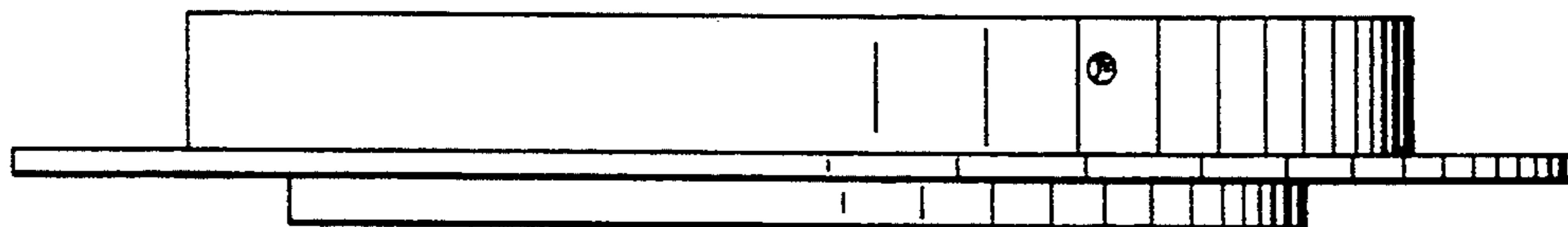
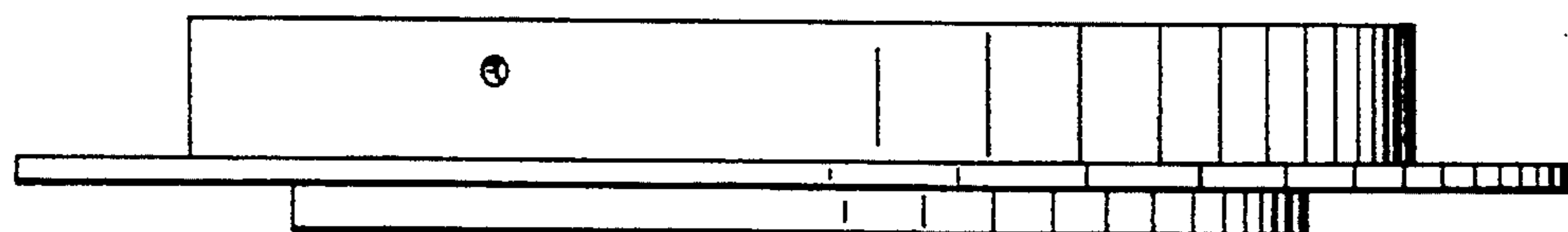


Fig. 4



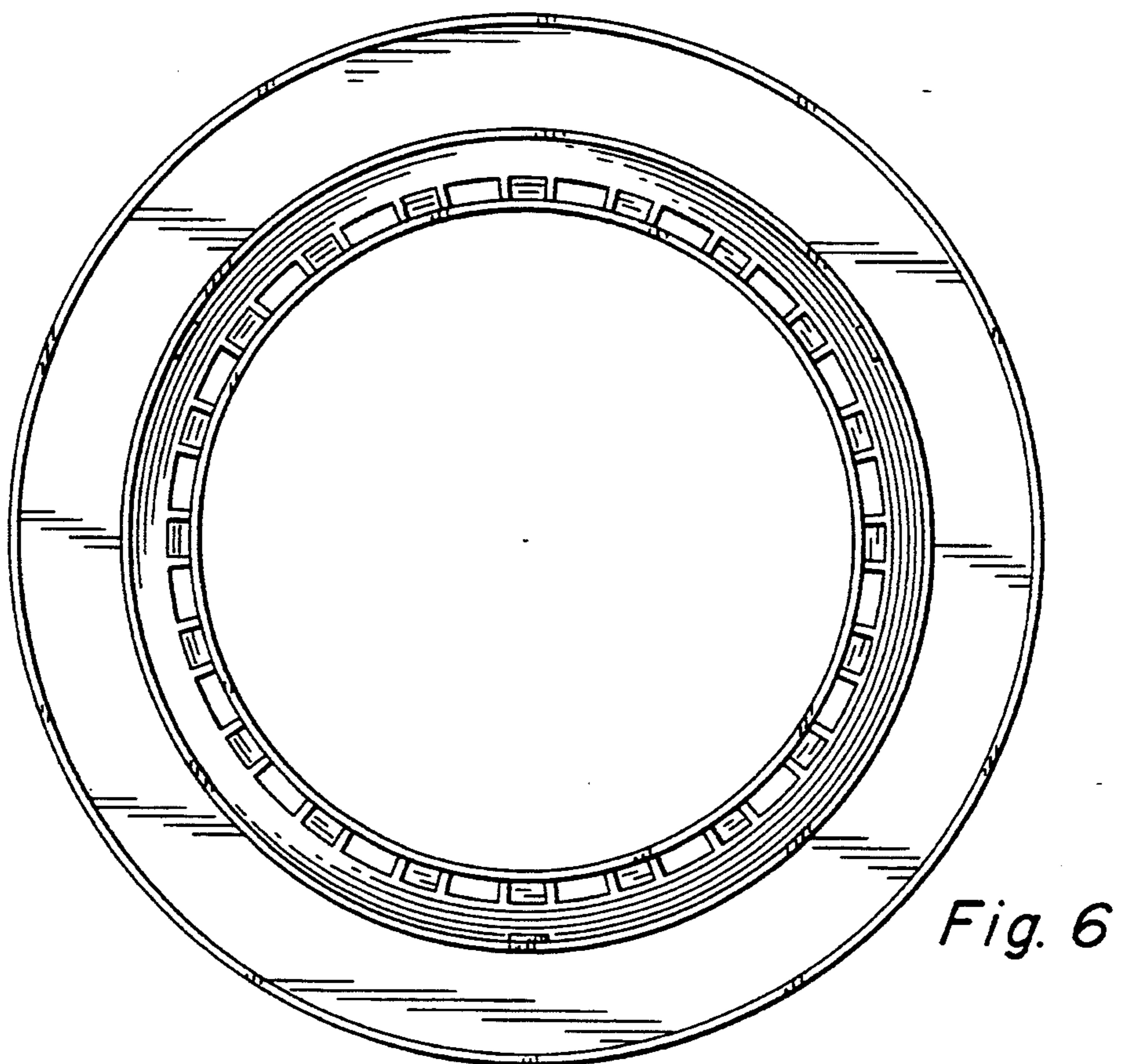
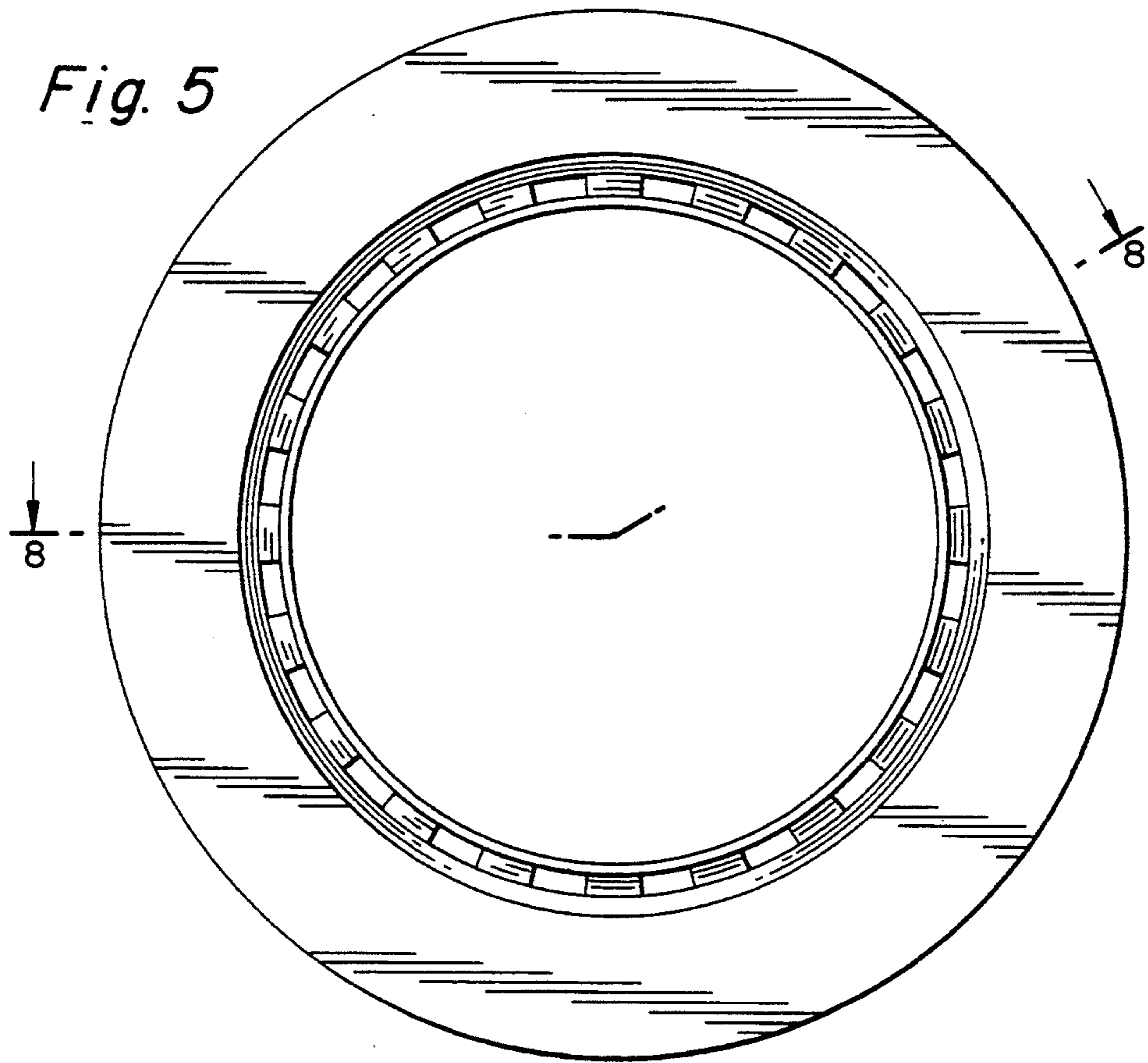


Fig. 6

Fig. 7

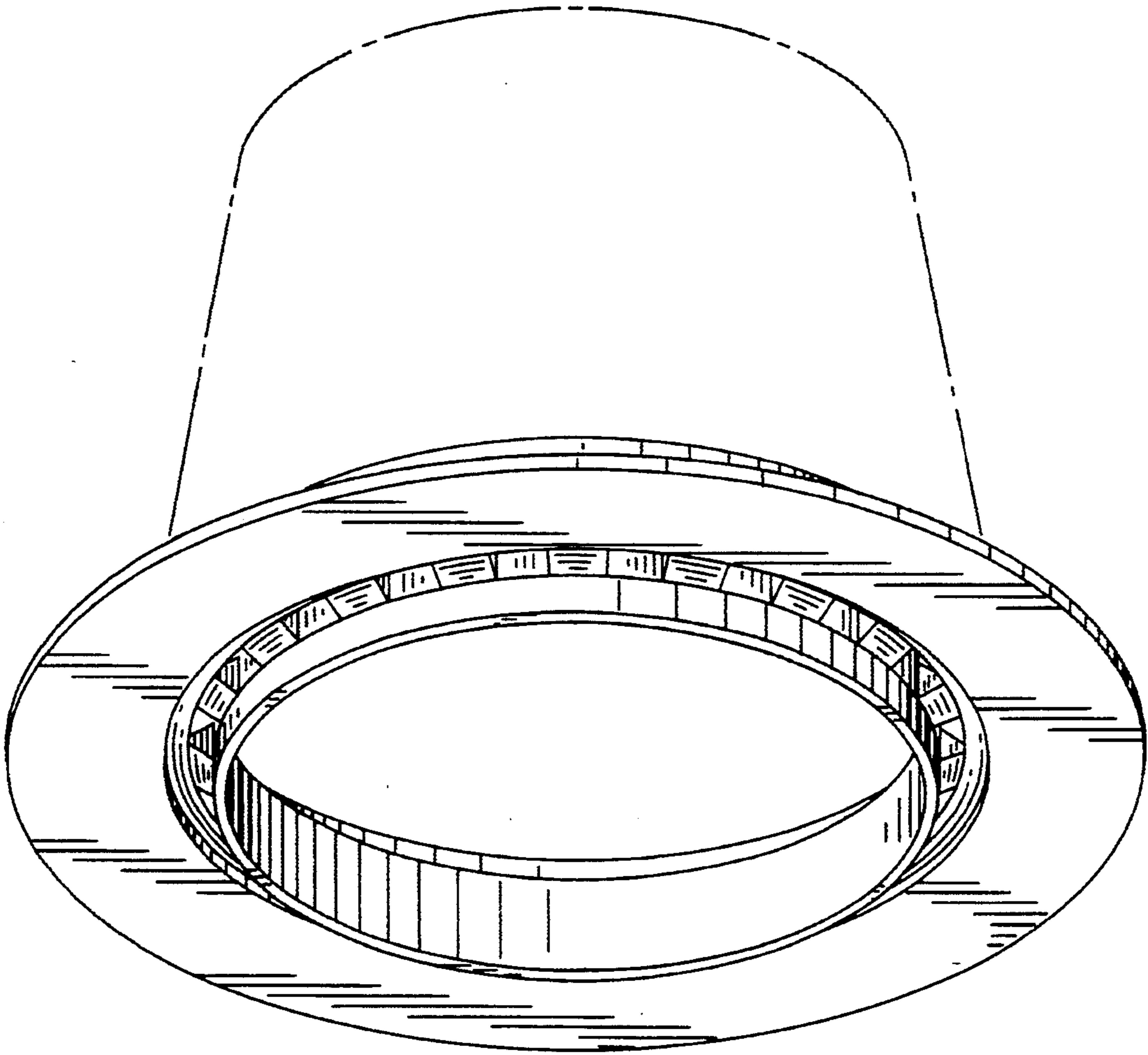


Fig. 8

