



US00D353906S

United States Patent [19]

[11] Patent Number: **Des. 353,906**

Hsu

[45] Date of Patent: **** Dec. 27, 1994**

[54] **WALL-MOUNTED LAMP**

[75] Inventor: **Winston Hsu**, Taichung, Taiwan, Prov. of China

[73] Assignee: **Bright Yin Huey Co., Ltd.**, Taichung, Taiwan, Prov. of China

[**] Term: **14 Years**

[21] Appl. No.: **20,307**

[22] Filed: **Mar. 24, 1994**

[52] U.S. Cl. **D26/87**

[58] Field of Search **D26/72, 80-92; 362/147, 404-408, 432**

[56] **References Cited**

U.S. PATENT DOCUMENTS

- D. 313,868 1/1991 Shyu D26/87
- D. 316,912 5/1991 Choi D26/87
- D. 333,531 2/1993 Rohner D26/87

OTHER PUBLICATIONS

Georgian Art Lighting Designs Catalog, 1986, p. 4, Wall Lantern.

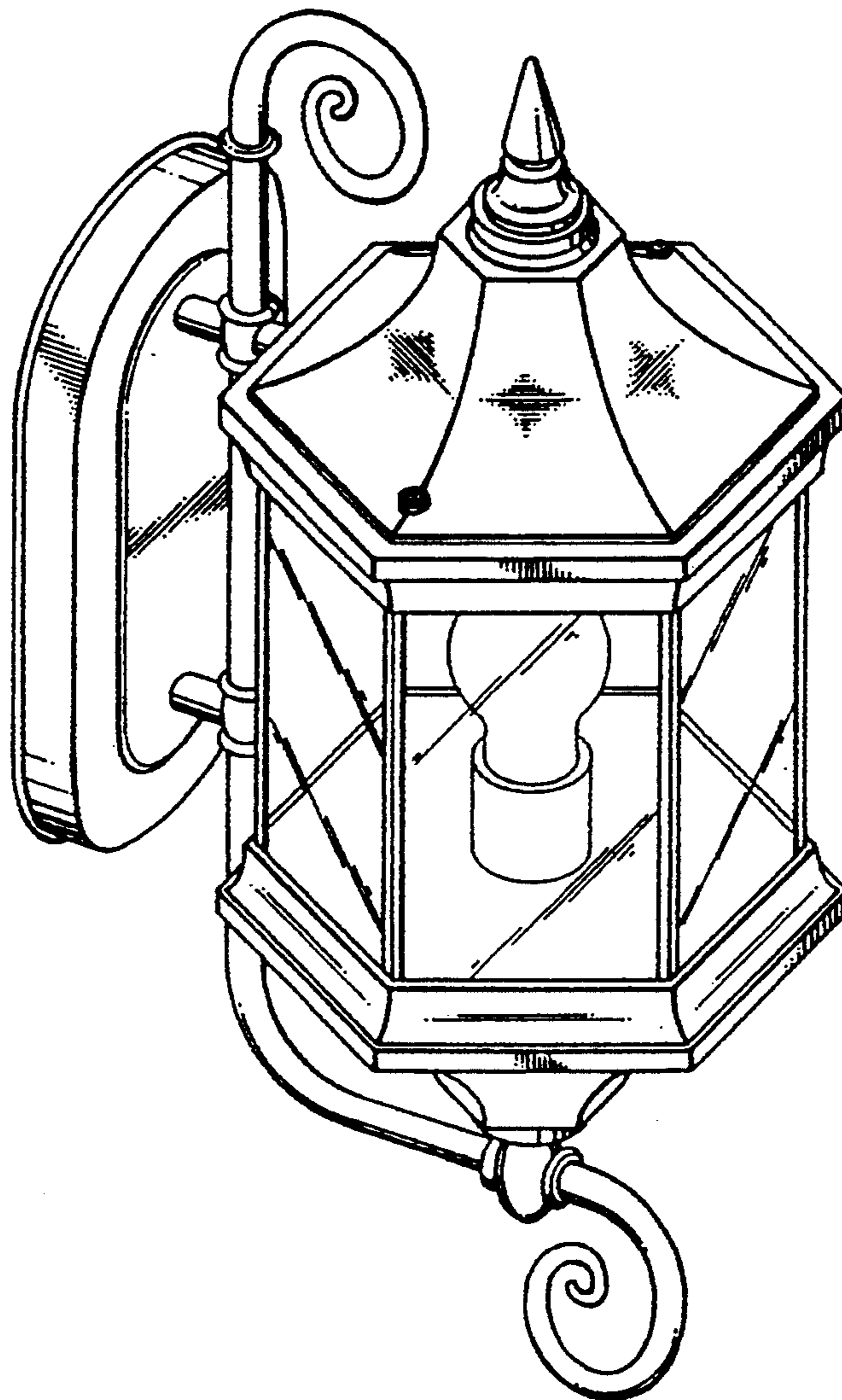
Primary Examiner—Susan J. Lucas
Attorney, Agent, or Firm—Browdy and Neimark

[57] **CLAIM**

The ornamental design for wall-mounted lamp, as shown and described.

DESCRIPTION

FIG. 1 is a right side view of a wall-mounted lamp showing my new design;
 FIG. 2 is a left side view thereof;
 FIG. 3 is a rear view thereof;
 FIG. 4 is a front view thereof;
 FIG. 5 is a top plan view thereof;
 FIG. 6 is a bottom view thereof; and,
 FIG. 7 is a perspective view thereof.



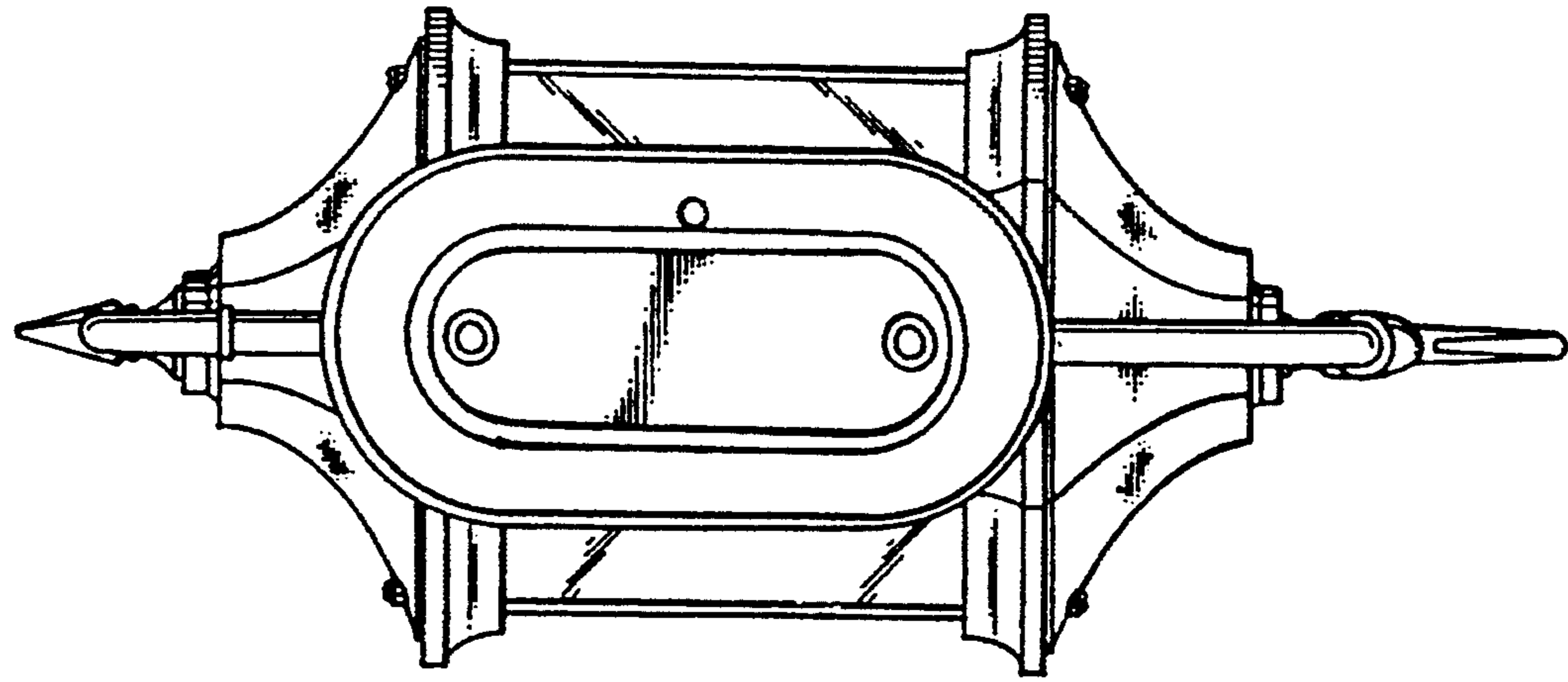


FIG. 3

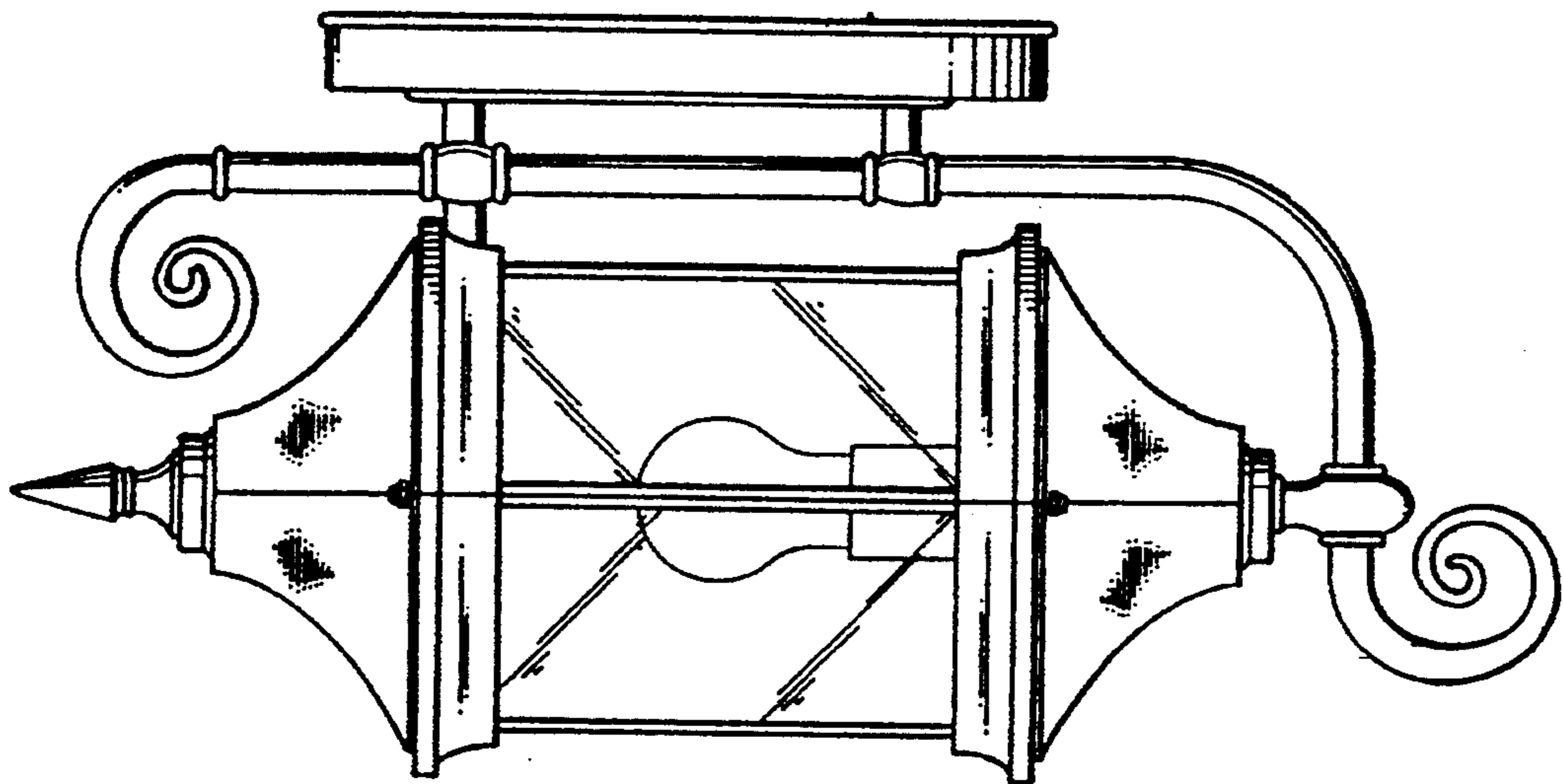


FIG. 2

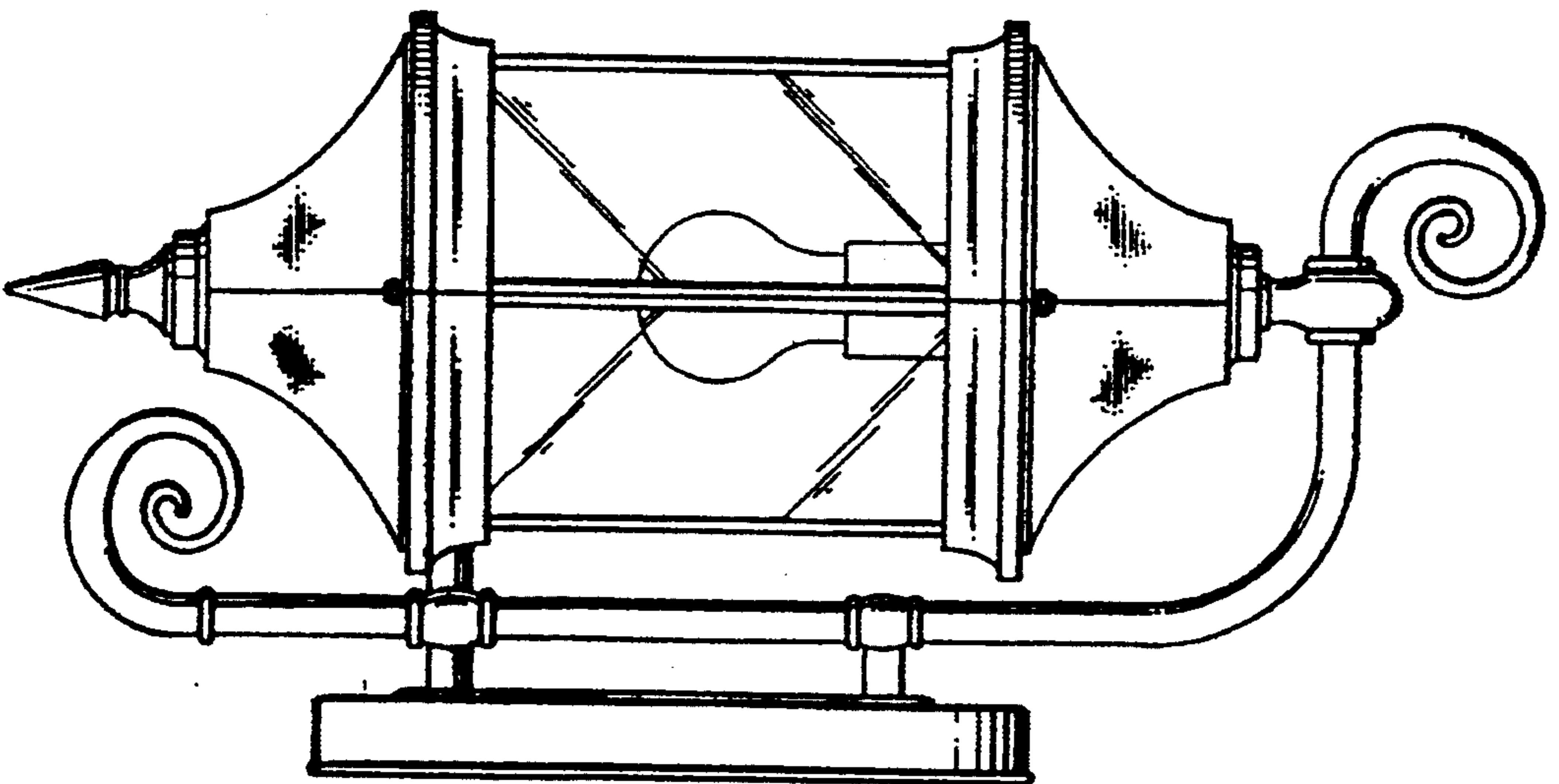


FIG. 1

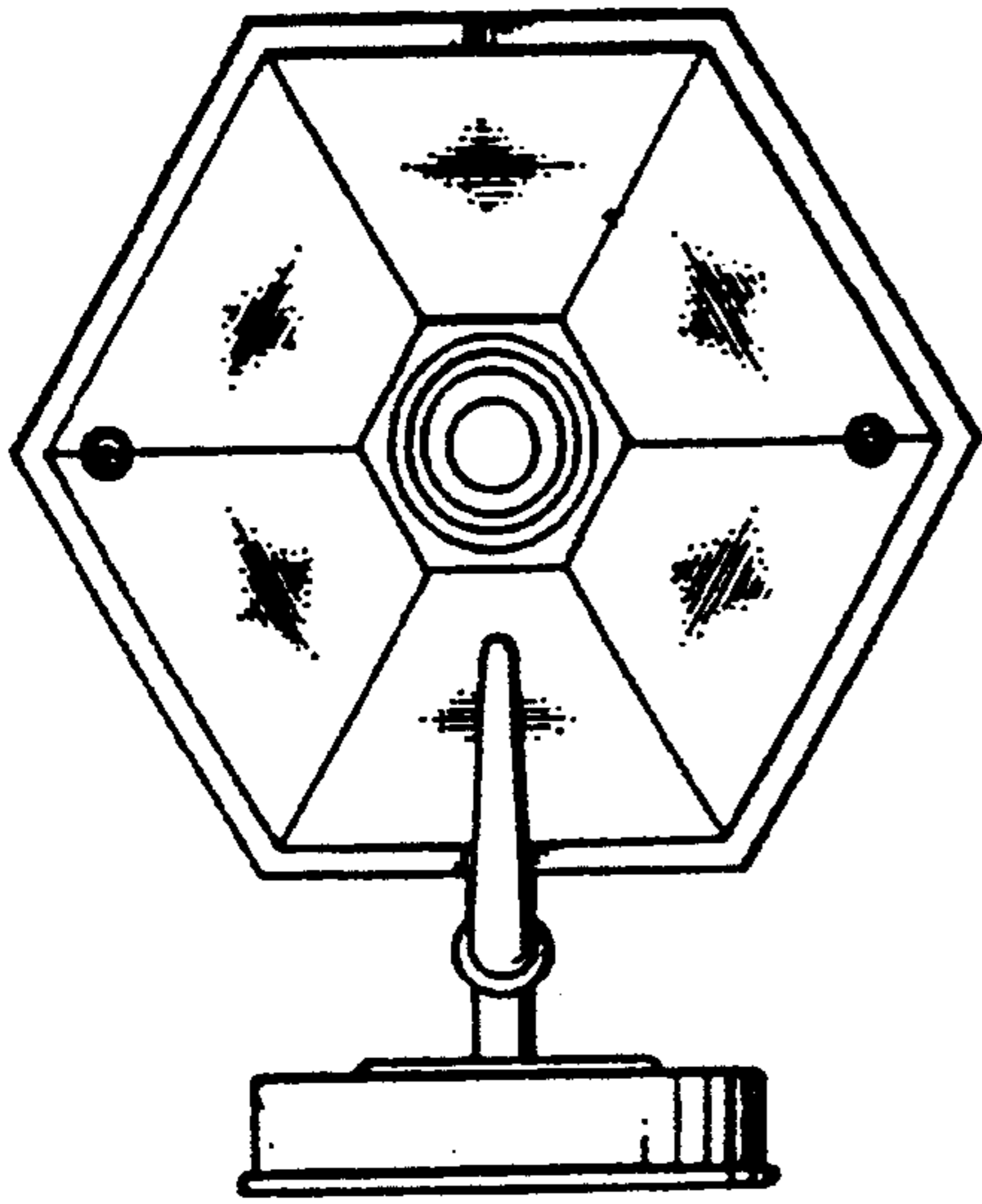


FIG. 5

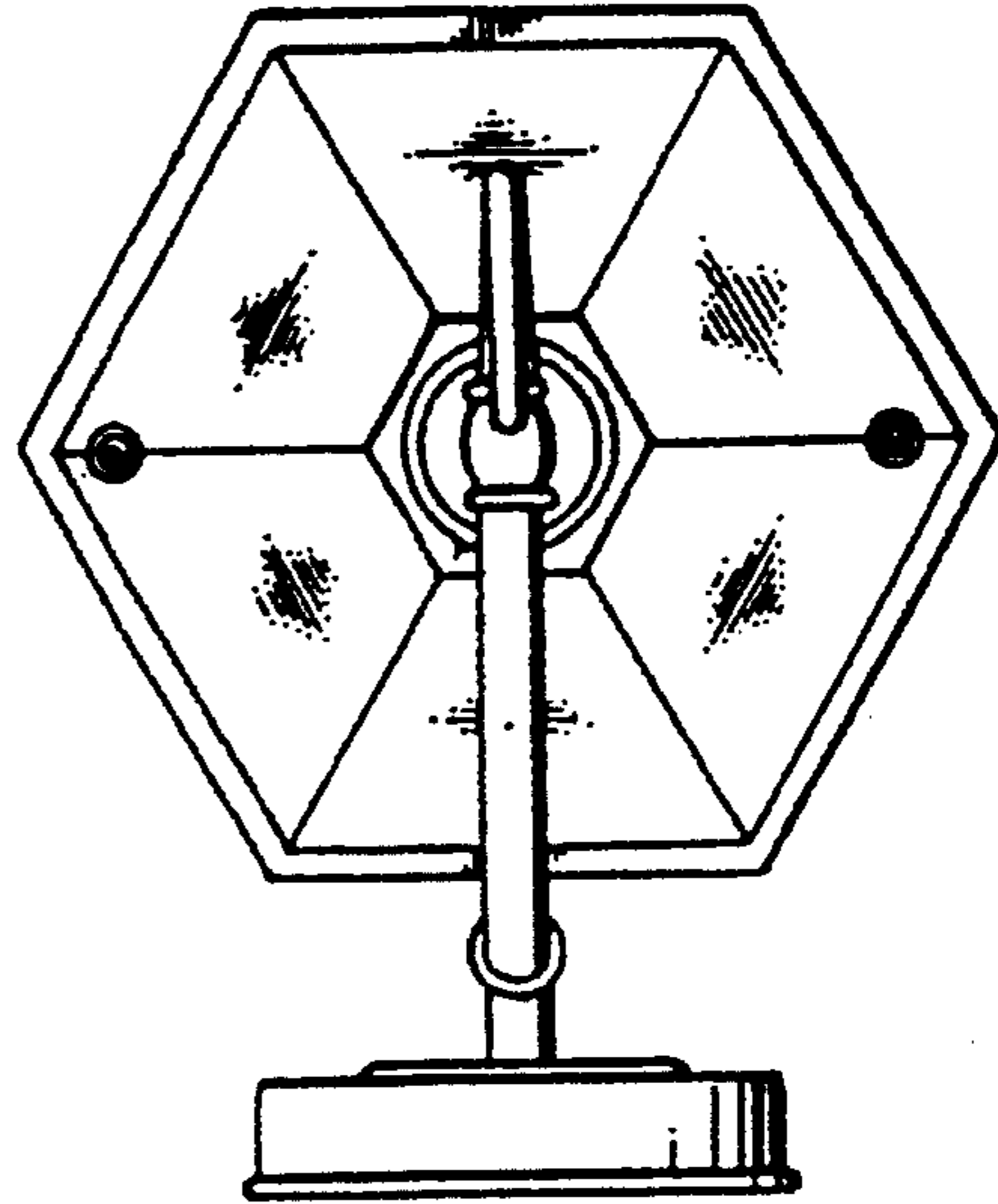


FIG. 6

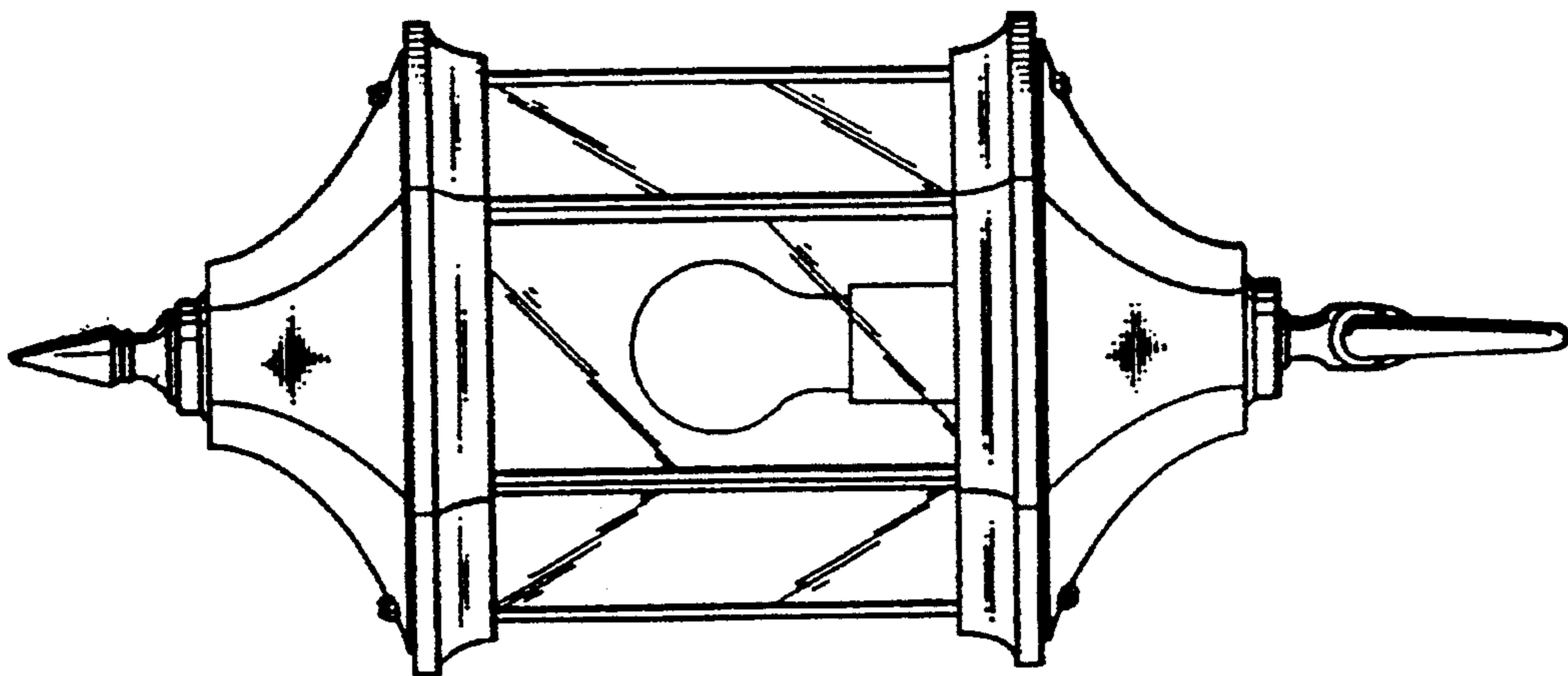


FIG. 4

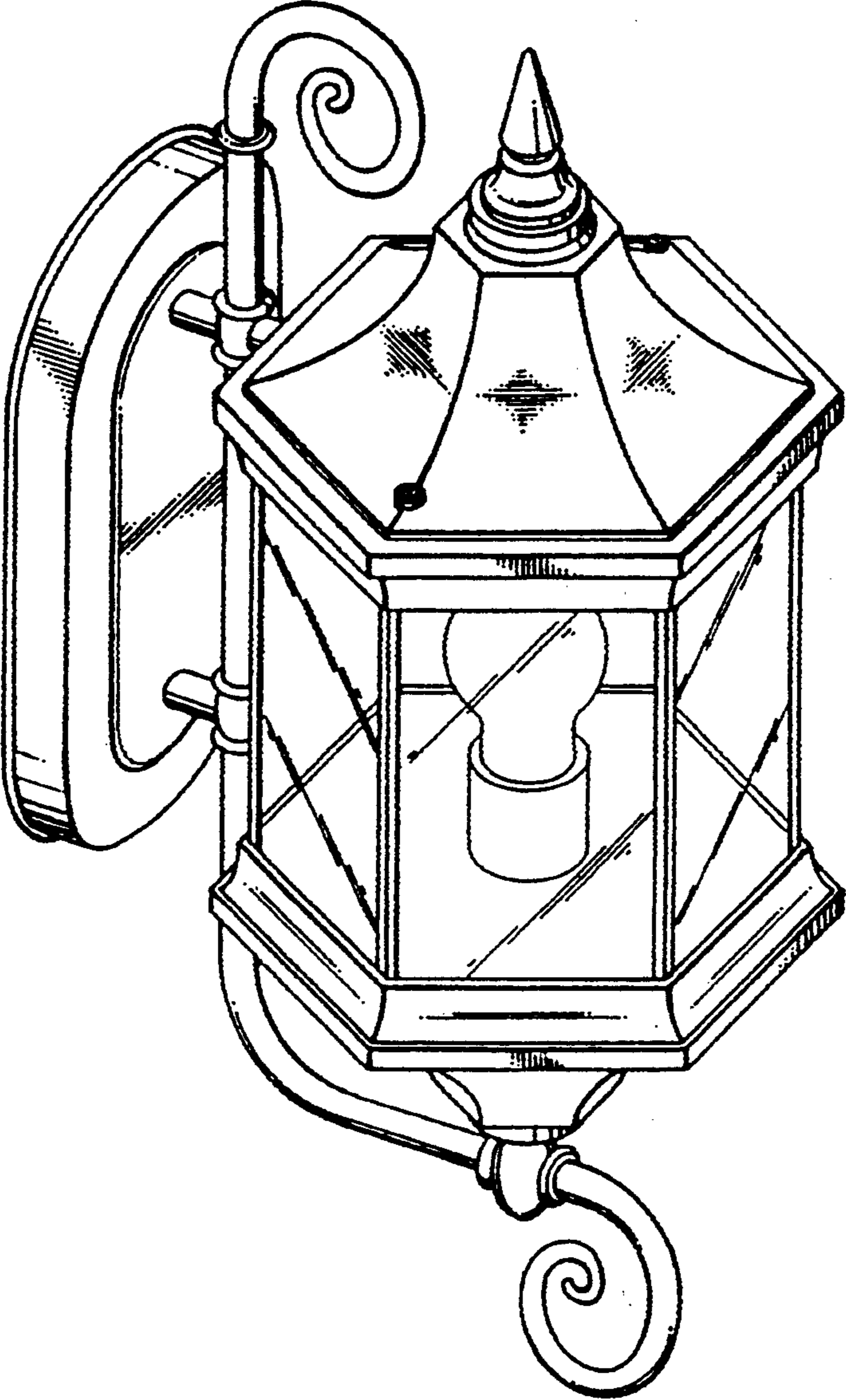


FIG. 7