



US00D353905S

# United States Patent [19]

[11] Patent Number: **Des. 353,905**

Lin

[45] Date of Patent: **\*\* Dec. 27, 1994**

[54] **COMBINED ADJUSTABLE DESK LAMP AND DESK ORGANIZER**

D. 334,438 3/1993 Kua ..... D26/63  
D. 339,648 9/1993 Wen-Yung ..... D26/64 X

[76] Inventor: **Jack Lin**, No. 177-1, Sec. 2, Nan Kan Rd., Lu Chu Hsiang, Taoyuan Hsien, Taiwan, Prov. of China

*Primary Examiner*—Susan J. Lucas  
*Attorney, Agent, or Firm*—Lowe, Price, LeBlanc & Becker

[\*\*] Term: **14 Years**

[57] **CLAIM**

[21] Appl. No.: **3,575**

The ornamental design for a combined adjustable desk lamp and desk organizer, as described and shown.

[22] Filed: **Jan. 5, 1993**

[52] U.S. Cl. .... **D26/65; D19/75; D19/77; D26/51; D26/64**

### DESCRIPTION

[58] **Field of Search** ..... 362/269, 285, 287, 410, 362/413, 414, 418, 419, 427; D26/60-66, 51; D19/75, 77, 78, 92

FIG. 1 is the perspective view of a design for combined adjustable desk lamp and desk organizer showing my design;

### [56] References Cited

#### U.S. PATENT DOCUMENTS

D. 253,898 1/1980 Cross ..... D19/77  
D. 285,392 9/1986 Thompson ..... D19/75 X  
D. 329,359 9/1992 Eggen ..... D19/77

FIG. 2 is the front elevational view thereof;

FIG. 3 is the rear elevational view thereof;

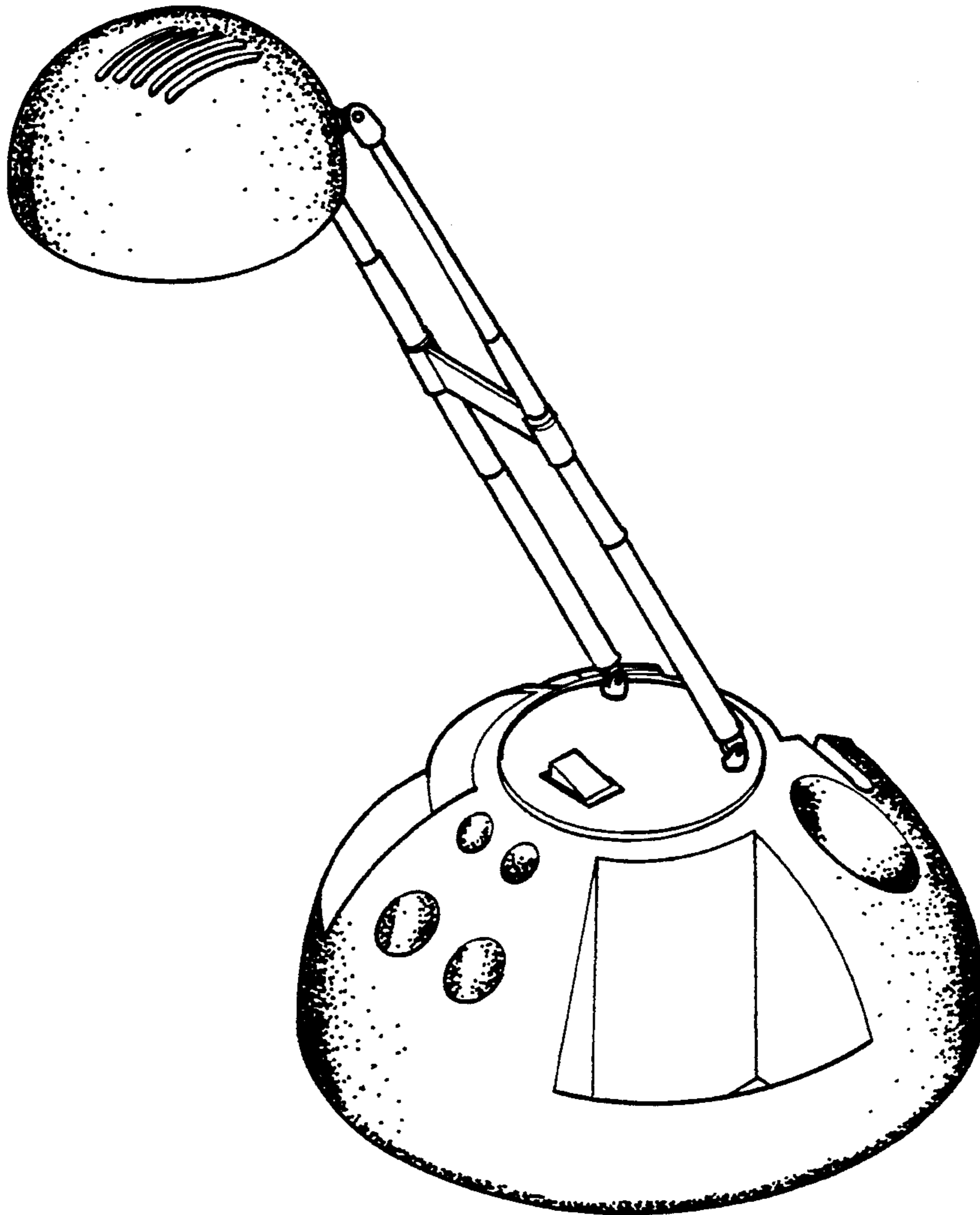
FIG. 4 is the left side elevational view thereof;

FIG. 5 is the right side elevational view thereof;

FIG. 6 is the top plan view thereof;

FIG. 7 is the bottom plan view thereof; and,

FIG. 8 is the perspective view thereof.



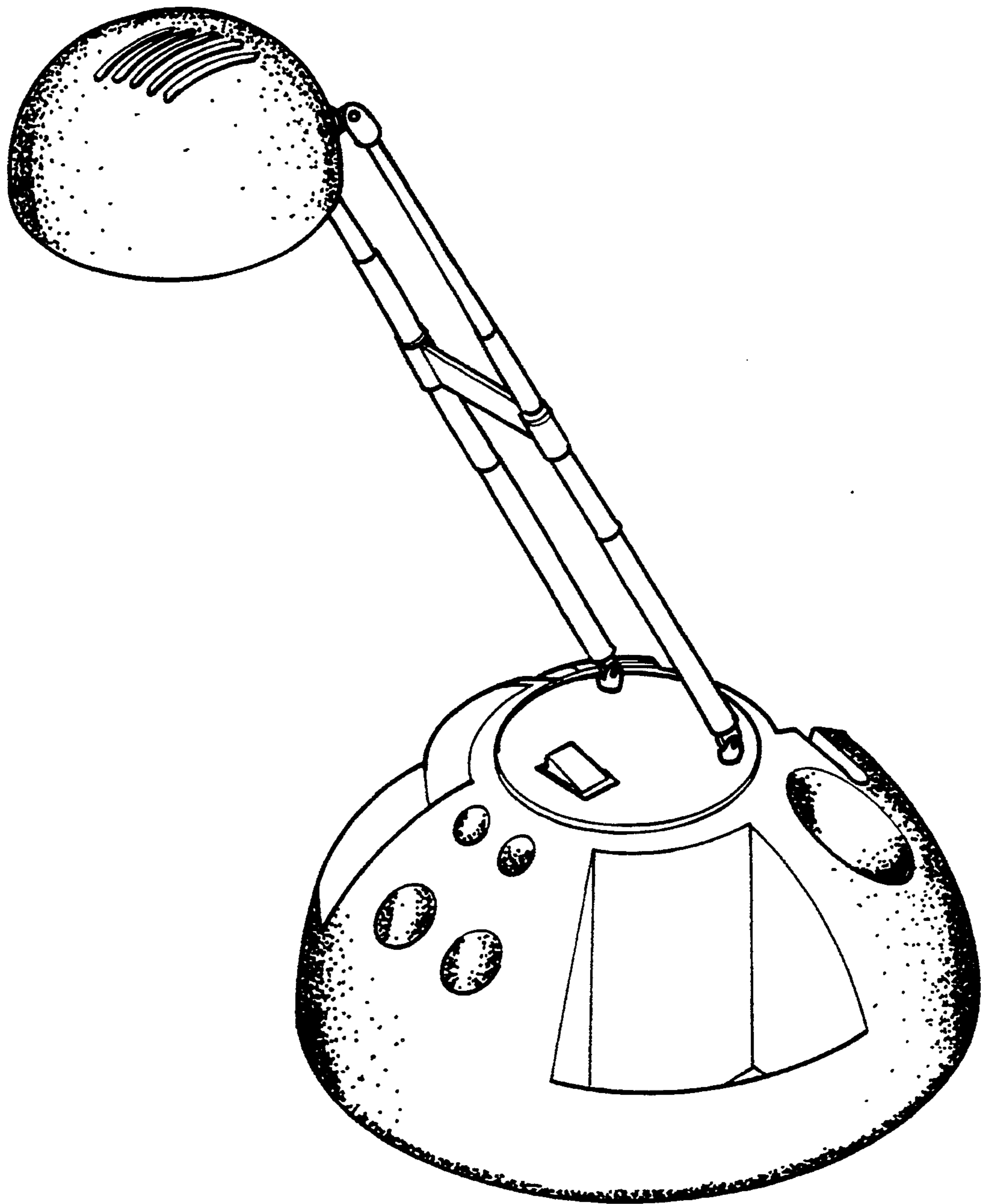


FIG. 1

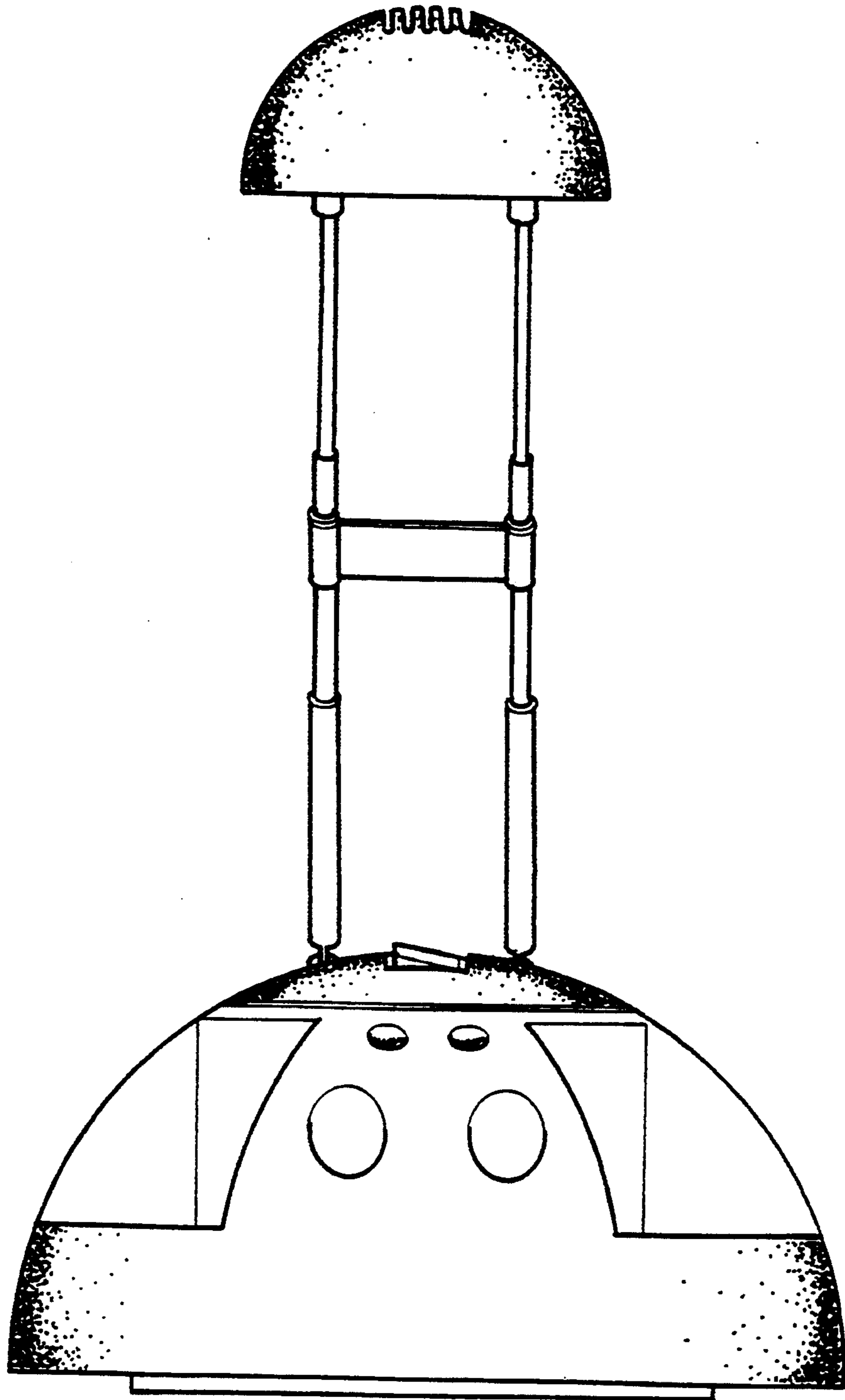


FIG. 2

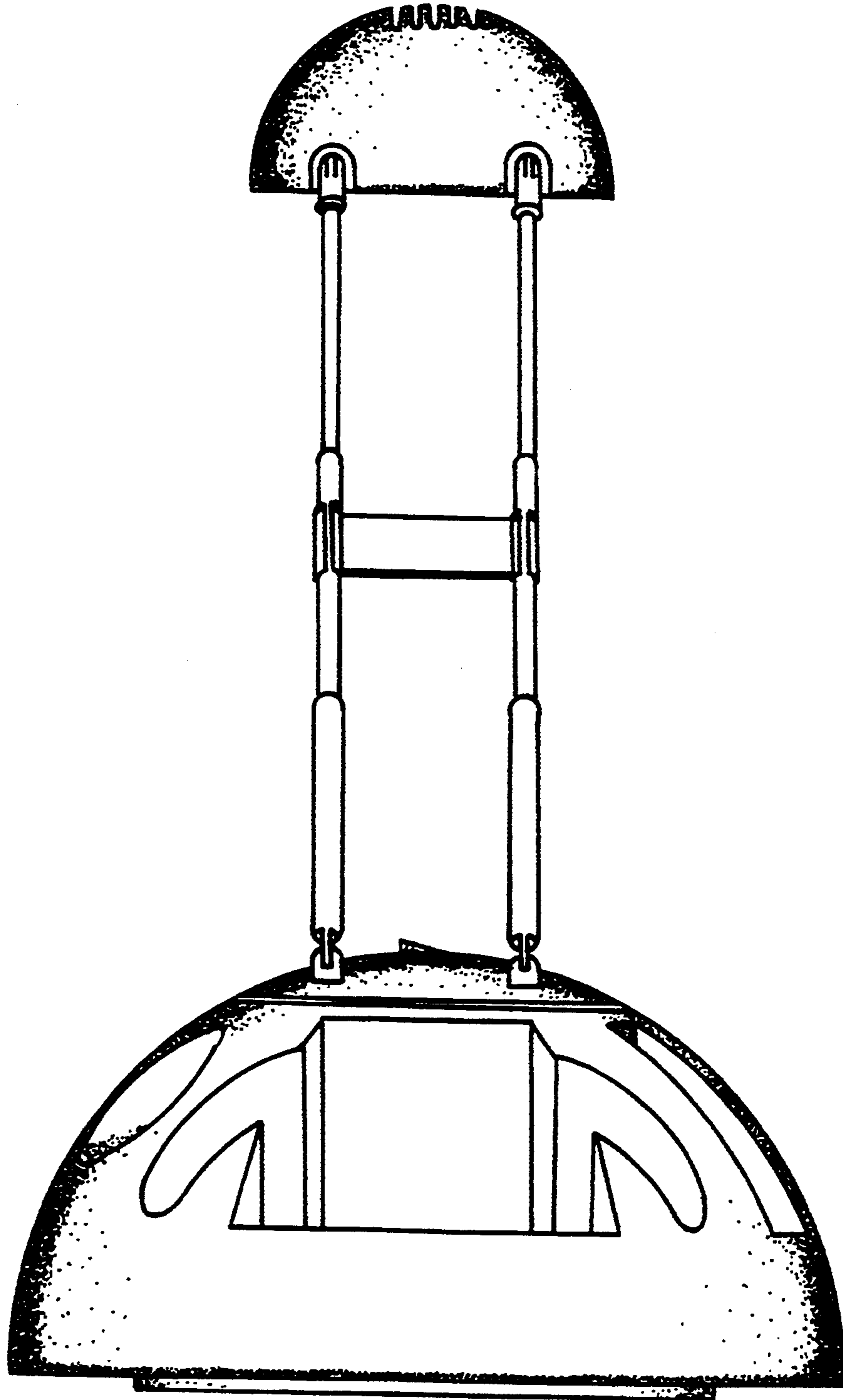


FIG. 3

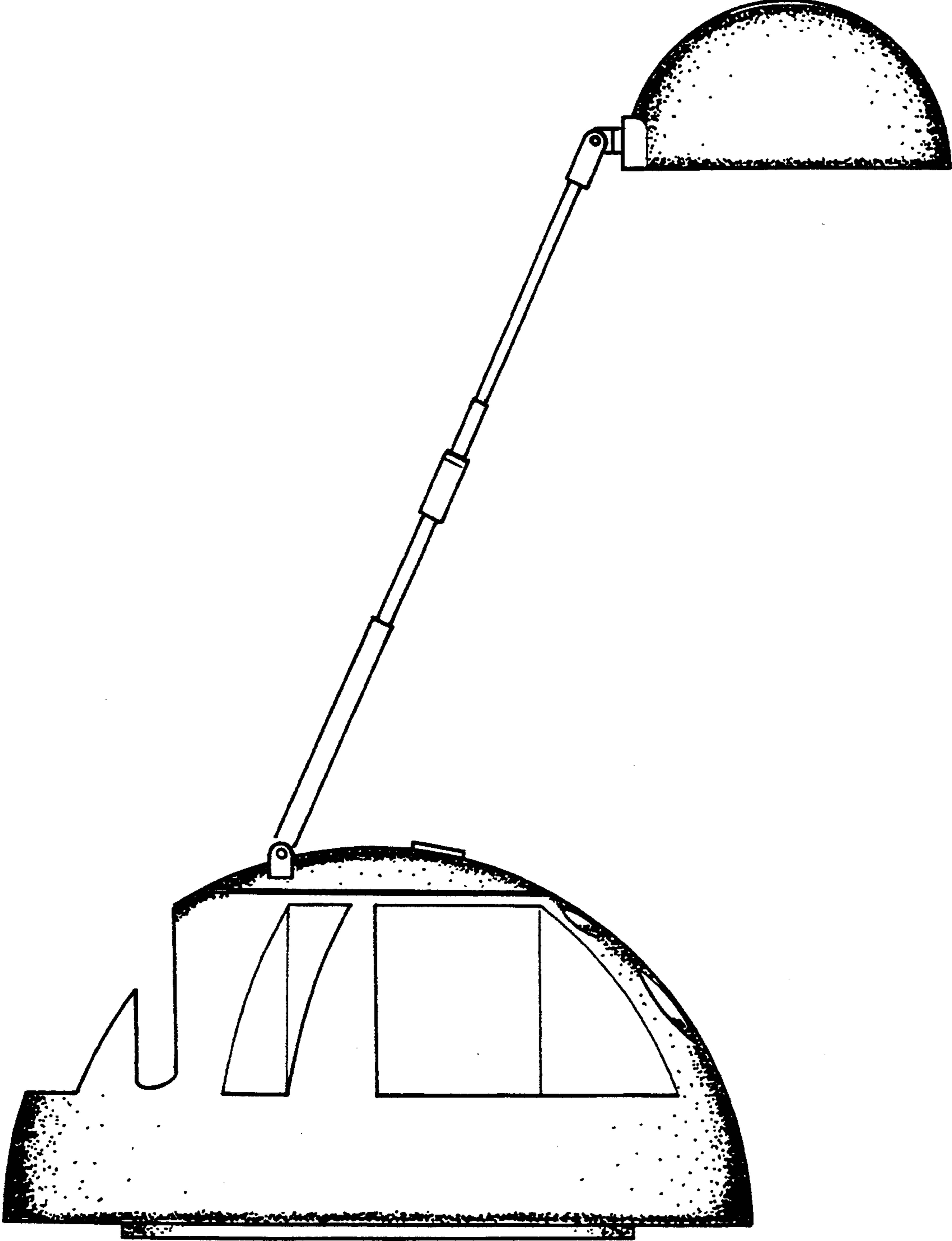


FIG. 4

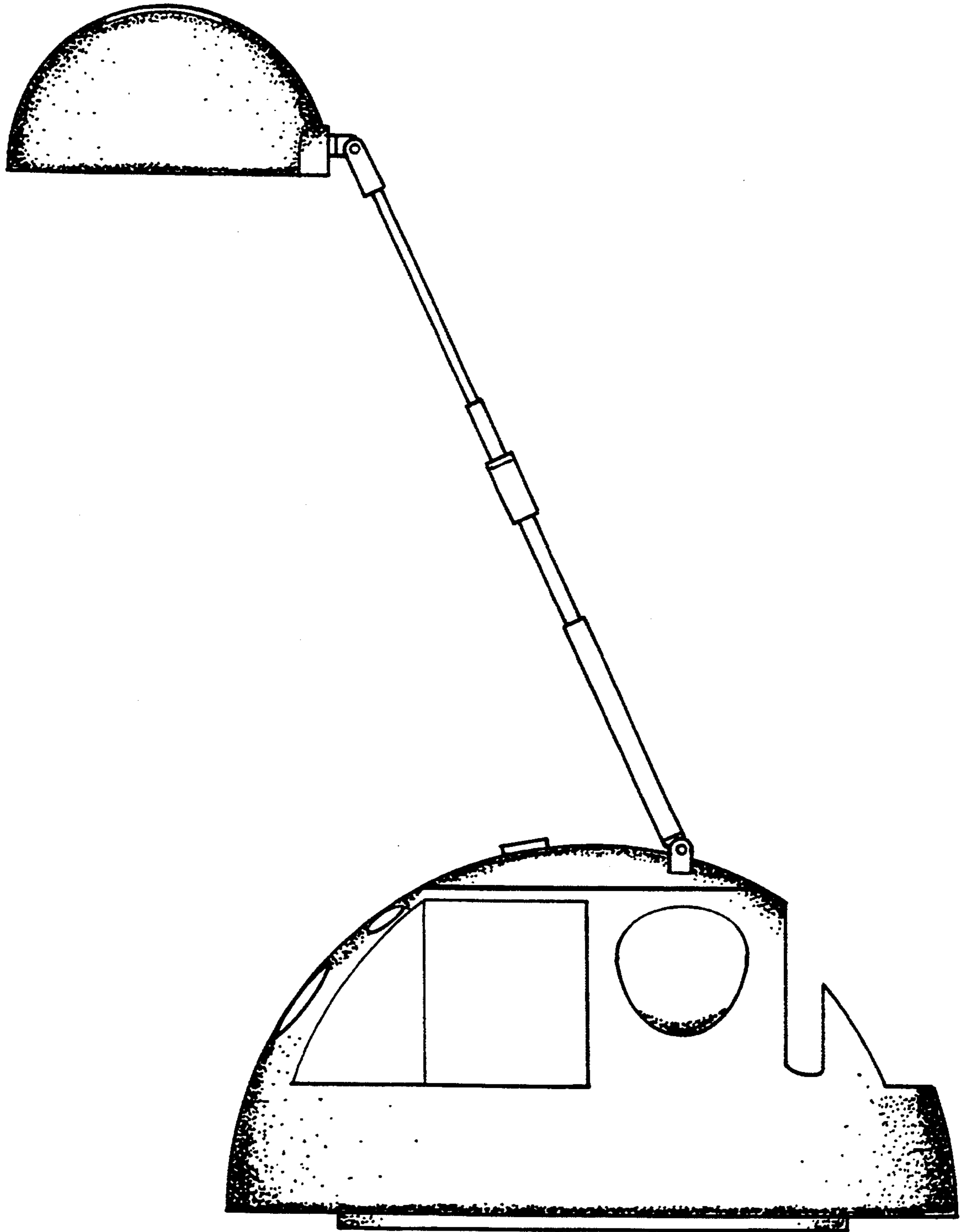


FIG. 5

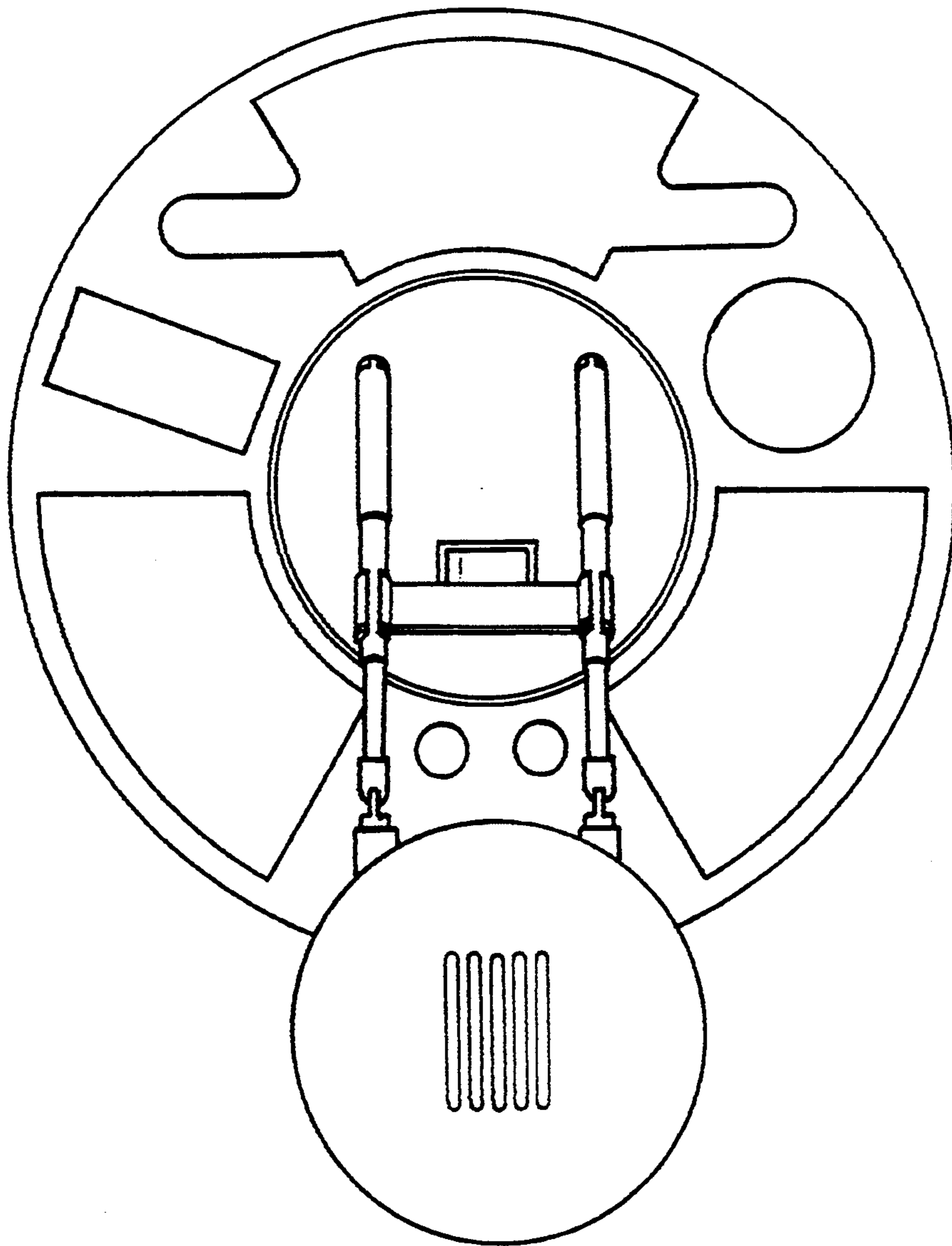


FIG. 6

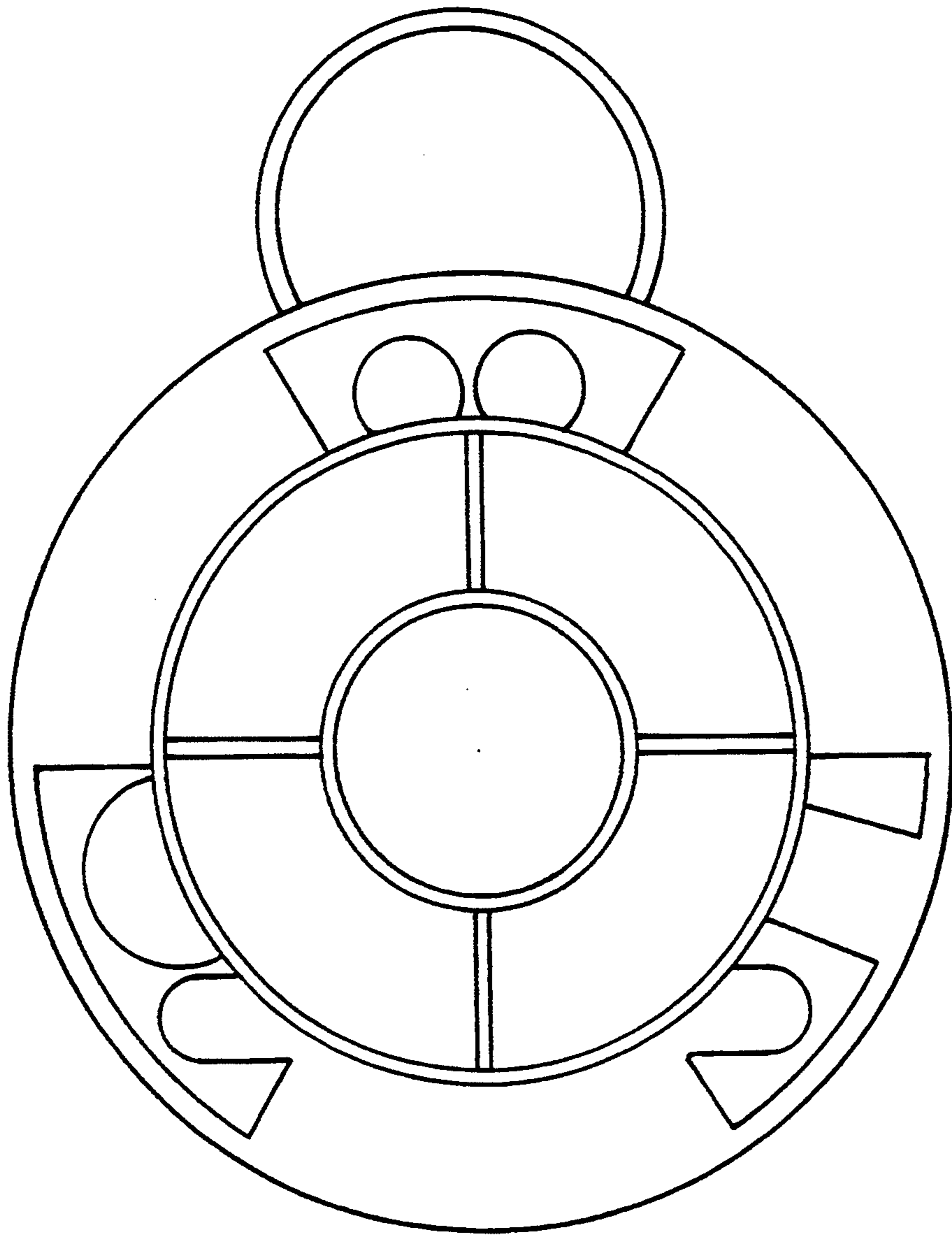


FIG. 7



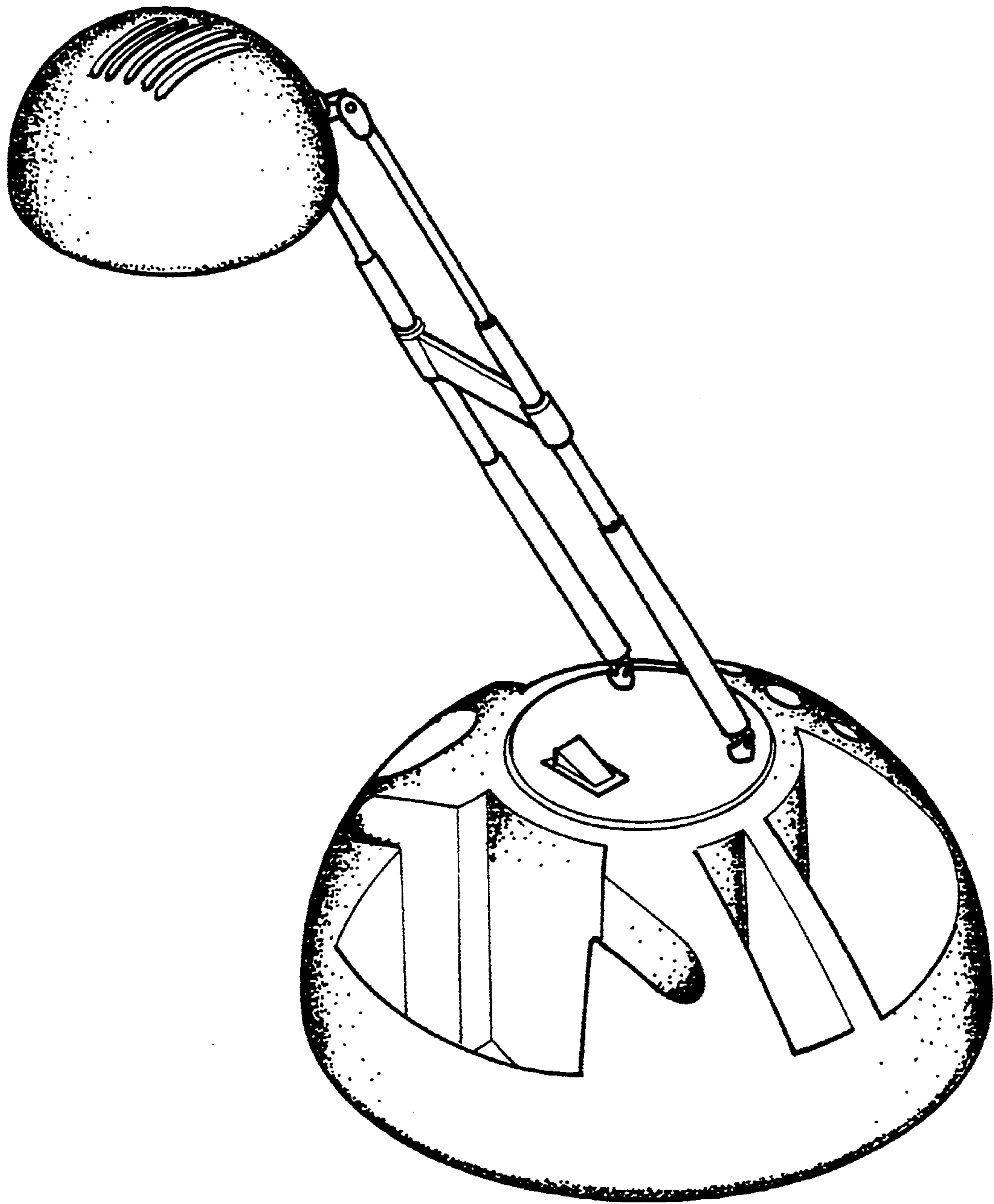


FIG. 8