



US00D353903S

United States Patent [19] Yuen

[11] Patent Number: **Des. 353,903**
[45] Date of Patent: **** Dec. 27, 1994**

[54] **LANTERN**
[75] Inventor: **Se K. Yuen, Kowloon, Hong Kong**
[73] Assignee: **John Manufacturing Limited, Kowloon, Hong Kong**
[**] Term: **14 Years**
[21] Appl. No.: **2,759**
[22] Filed: **Dec. 22, 1992**
[30] **Foreign Application Priority Data**

Sep. 15, 1992 [GB] United Kingdom 2025708
[52] U.S. Cl. **D26/37**
[58] Field of Search D26/37-50;
362/157, 158, 160, 161, 168, 171, 172, 173, 178,
180, 183, 184, 186, 197, 198, 201, 202, 203, 204,
205, 206, 207, 208

[56] **References Cited**
U.S. PATENT DOCUMENTS
D. 255,839 7/1980 Sassmannshausen D26/37

D. 257,540 11/1980 Yip D26/50
D. 289,931 5/1987 Grae D26/50
D. 302,694 8/1989 Yuen D26/38
2,233,377 2/1941 Talbot 362/188

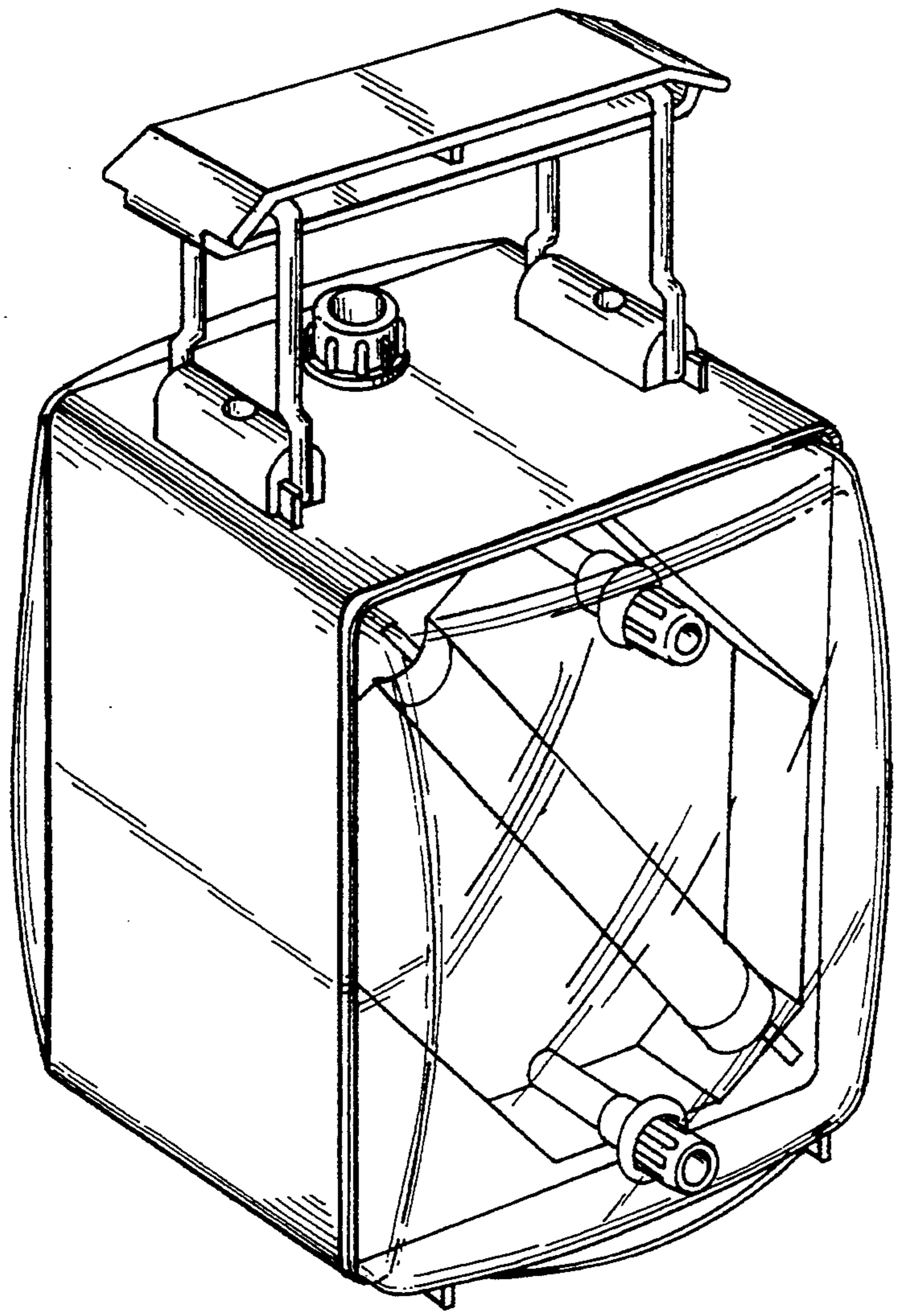
Primary Examiner—Wallace R. Burke
Assistant Examiner—Marcus Jackson
Attorney, Agent, or Firm—Hill, Steadman & Simpson

[57] CLAIM

The ornamental design for a lantern, as shown and described.

DESCRIPTION

FIG. 1 is a front view of the present invention;
FIG. 2 is a rear view of the present invention;
FIG. 3 is a top view of the present invention;
FIG. 4 is a bottom view of the present invention;
FIG. 5 is a side view of the present invention;
FIG. 6 is a front side perspective view of the present invention; and,
FIG. 7 is a rear side perspective view of the present invention.



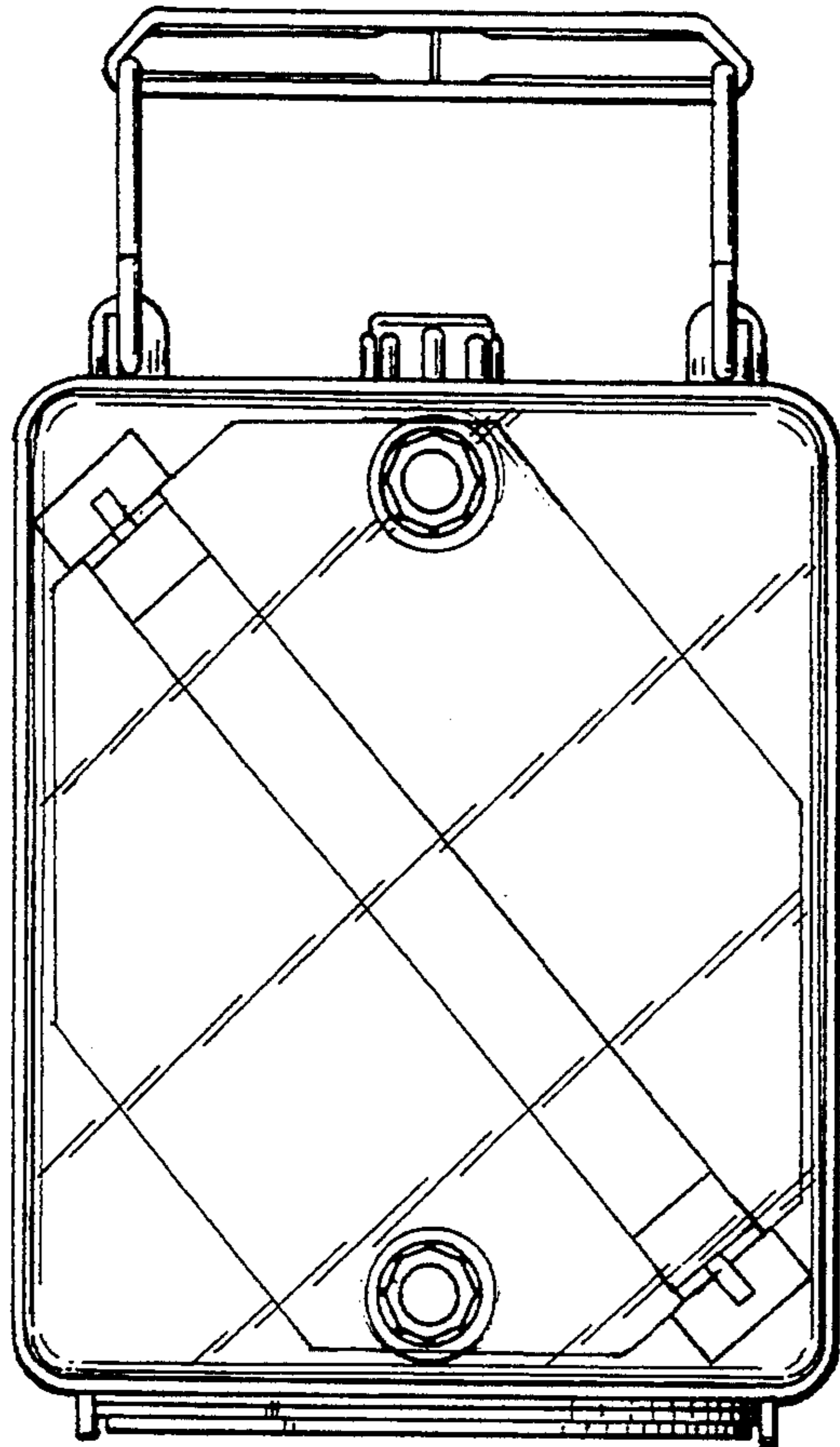


FIG. 1

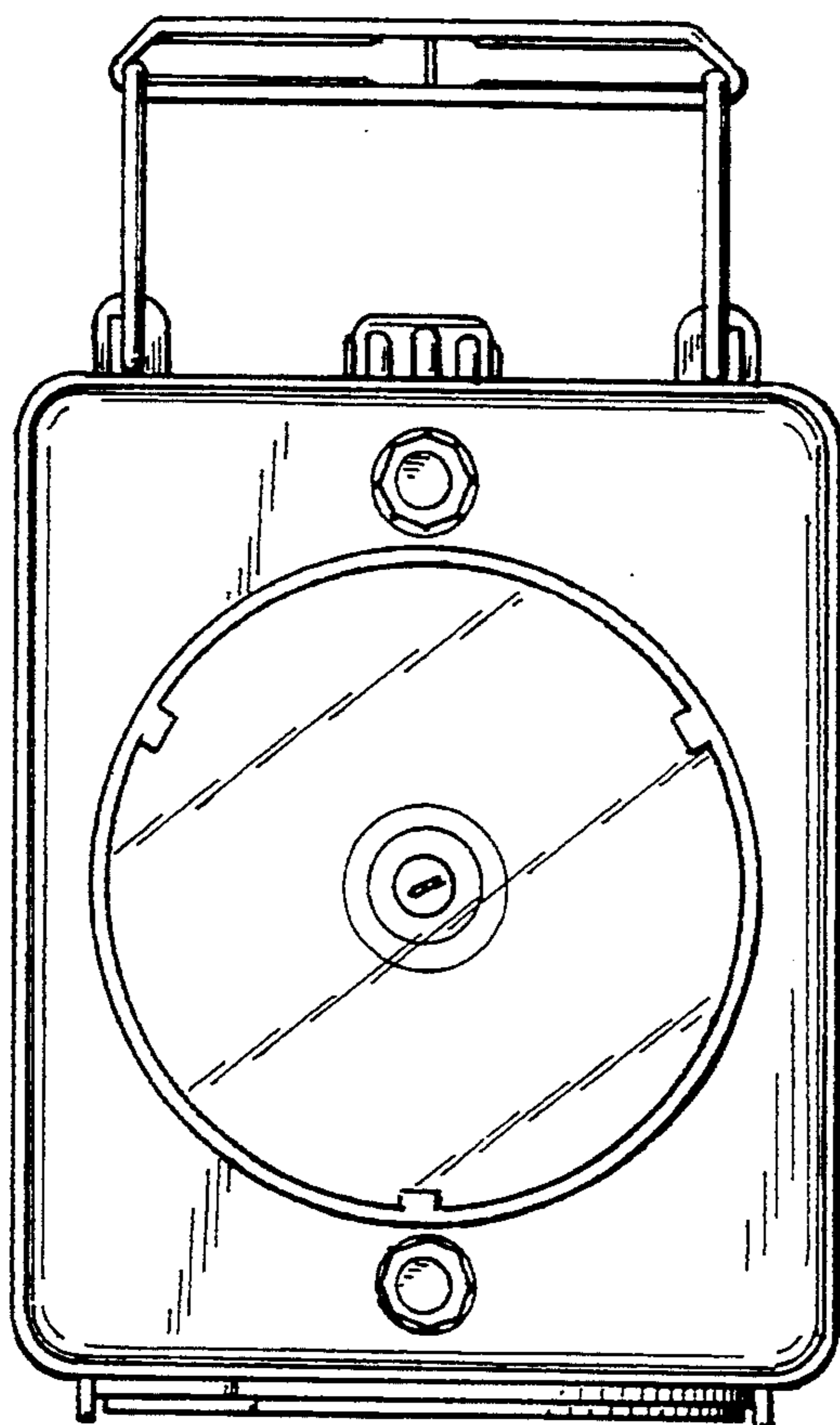


FIG. 2

FIG. 3

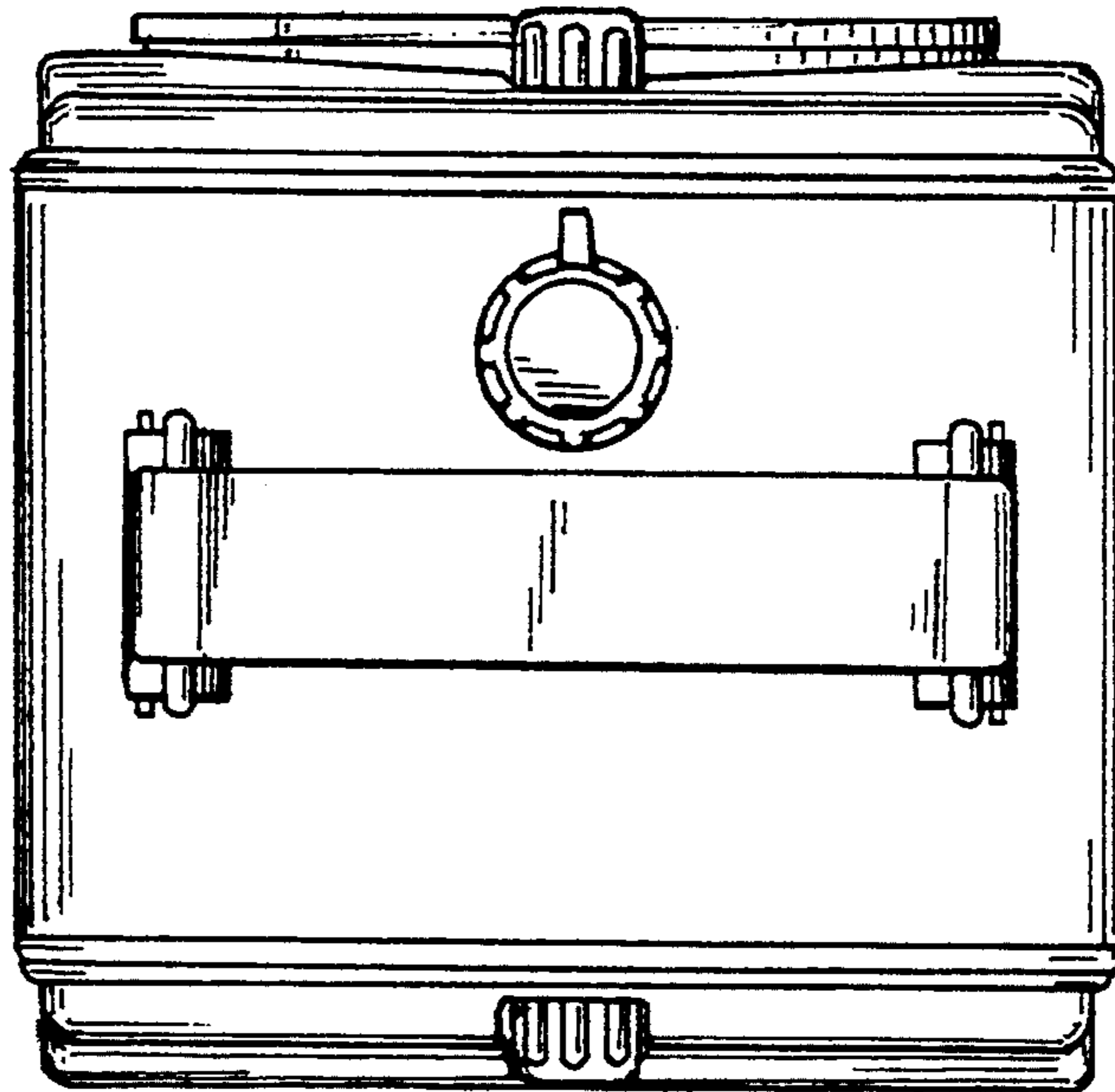


FIG. 4

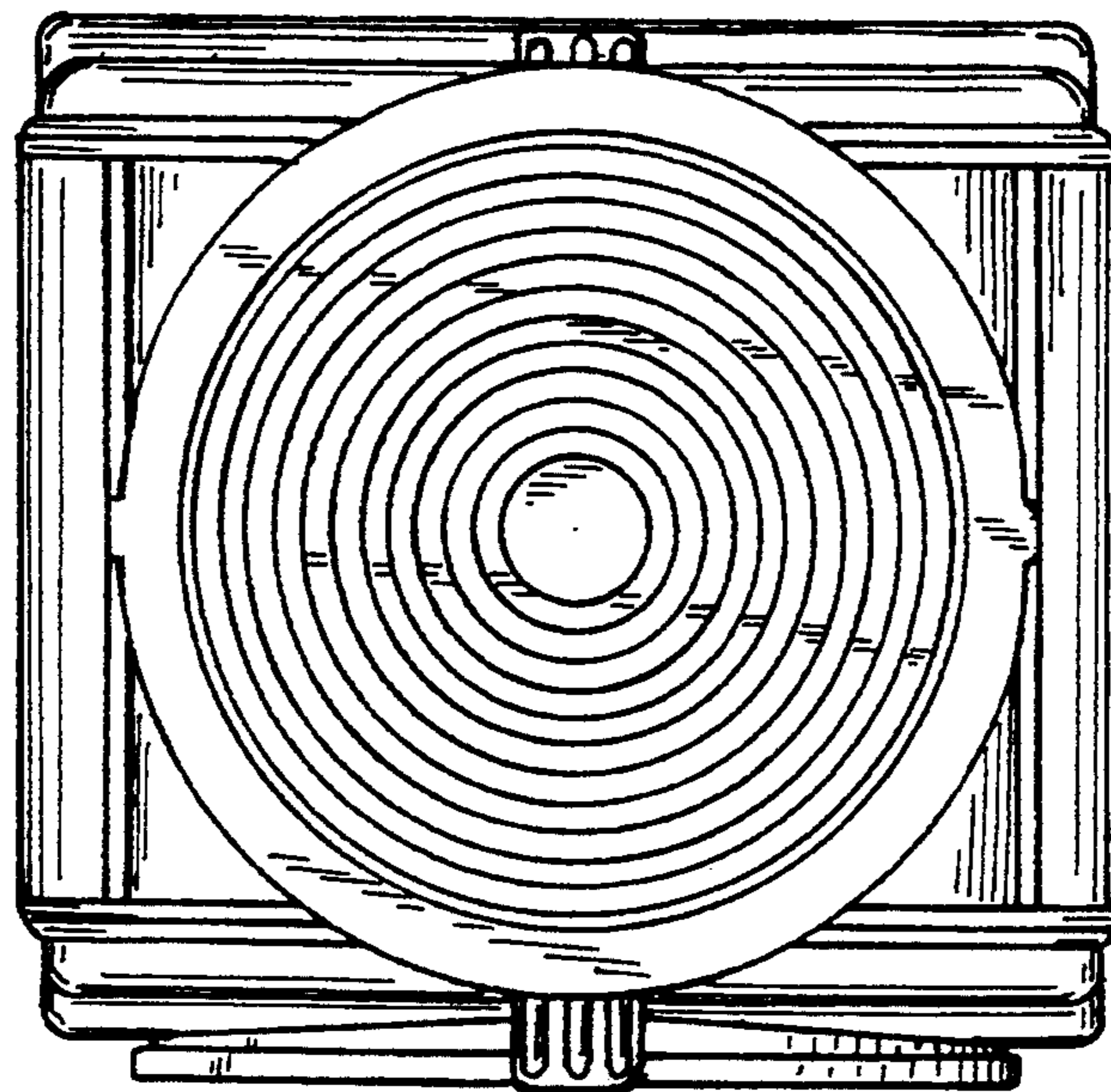


FIG. 5

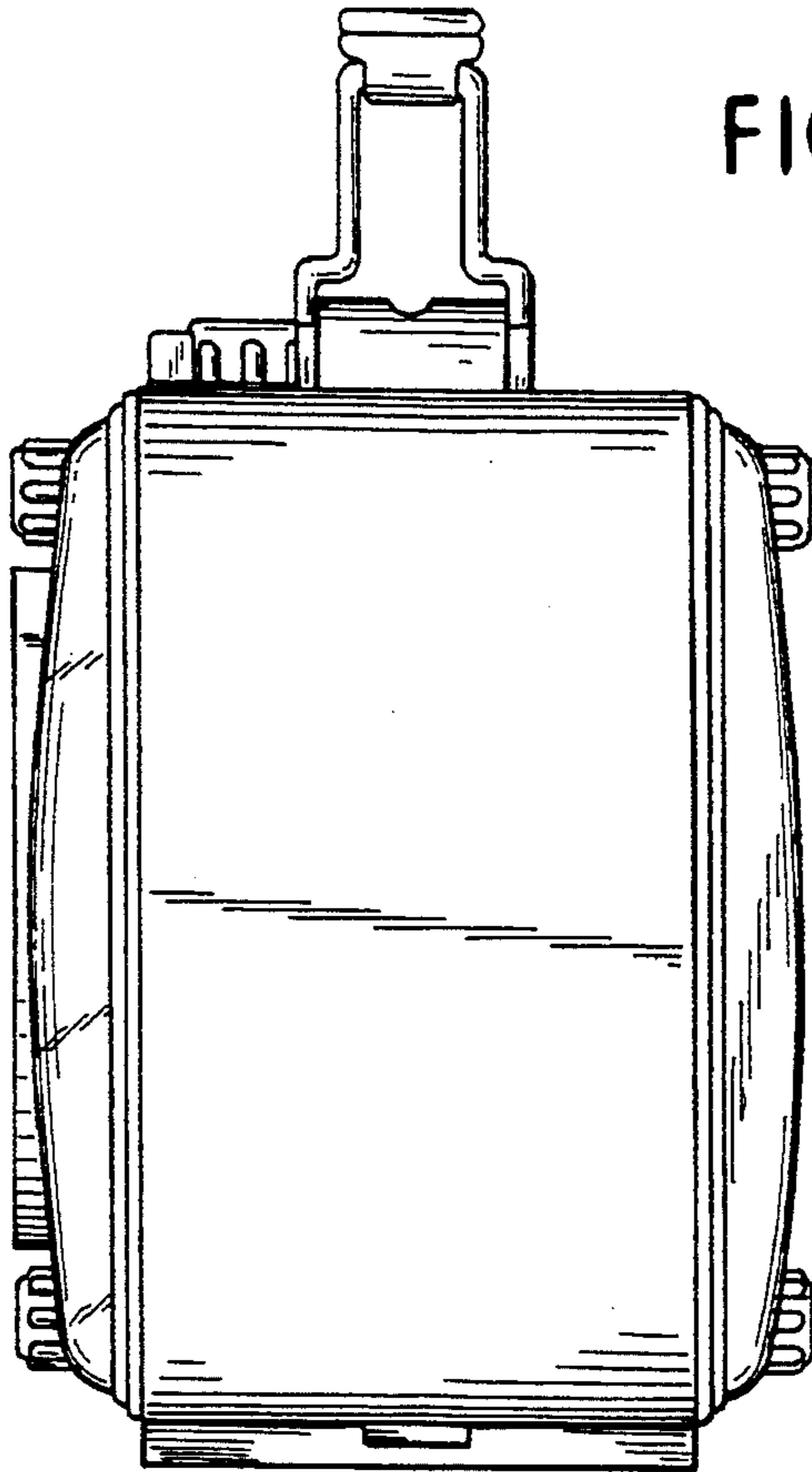


FIG. 6

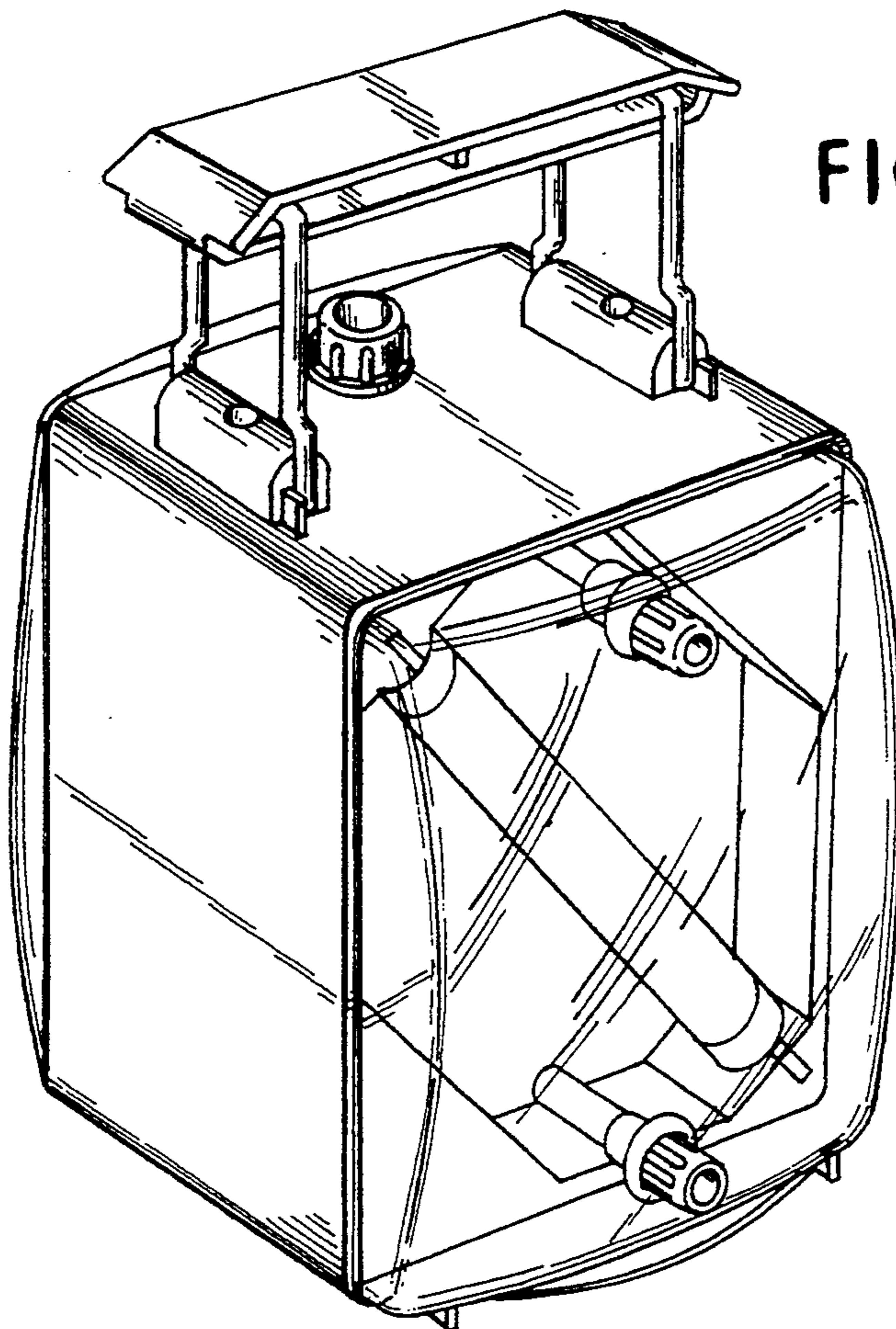


FIG. 7

