



US00D353897S

# United States Patent [19] Cole

[11] Patent Number: **Des. 353,897**  
[45] Date of Patent: **\*\* Dec. 27, 1994**

[54] WINDOW COMPONENT EXTRUSION

[75] Inventor: **Douglas L. Cole**, Seattle, Wash.

[73] Assignee: **Mikron Industries**, Kent, Wash.

[\*\*] Term: **14 Years**

[21] Appl. No.: **10,510**

[22] Filed: **Jul. 8, 1993**

### Related U.S. Application Data

[63] Continuation-in-part of Ser. No. 707,392, May 30, 1991, Pat. No. Des. 339,644.

[52] U.S. Cl. .... **D25/124**

[58] Field of Search ..... 49/DIG. 2, 504-505; 52/204.1, 204.5; D25/52, 124

[56] References Cited

### U.S. PATENT DOCUMENTS

D. 307,485	4/1990	Westphal et al. ....	D25/124
3,703,063	11/1972	Budich et al. ....	52/204.1
4,944,118	7/1990	Biro .....	49/DIG. 2
4,949,506	8/1990	Durham, Jr. ....	49/DIG. 2

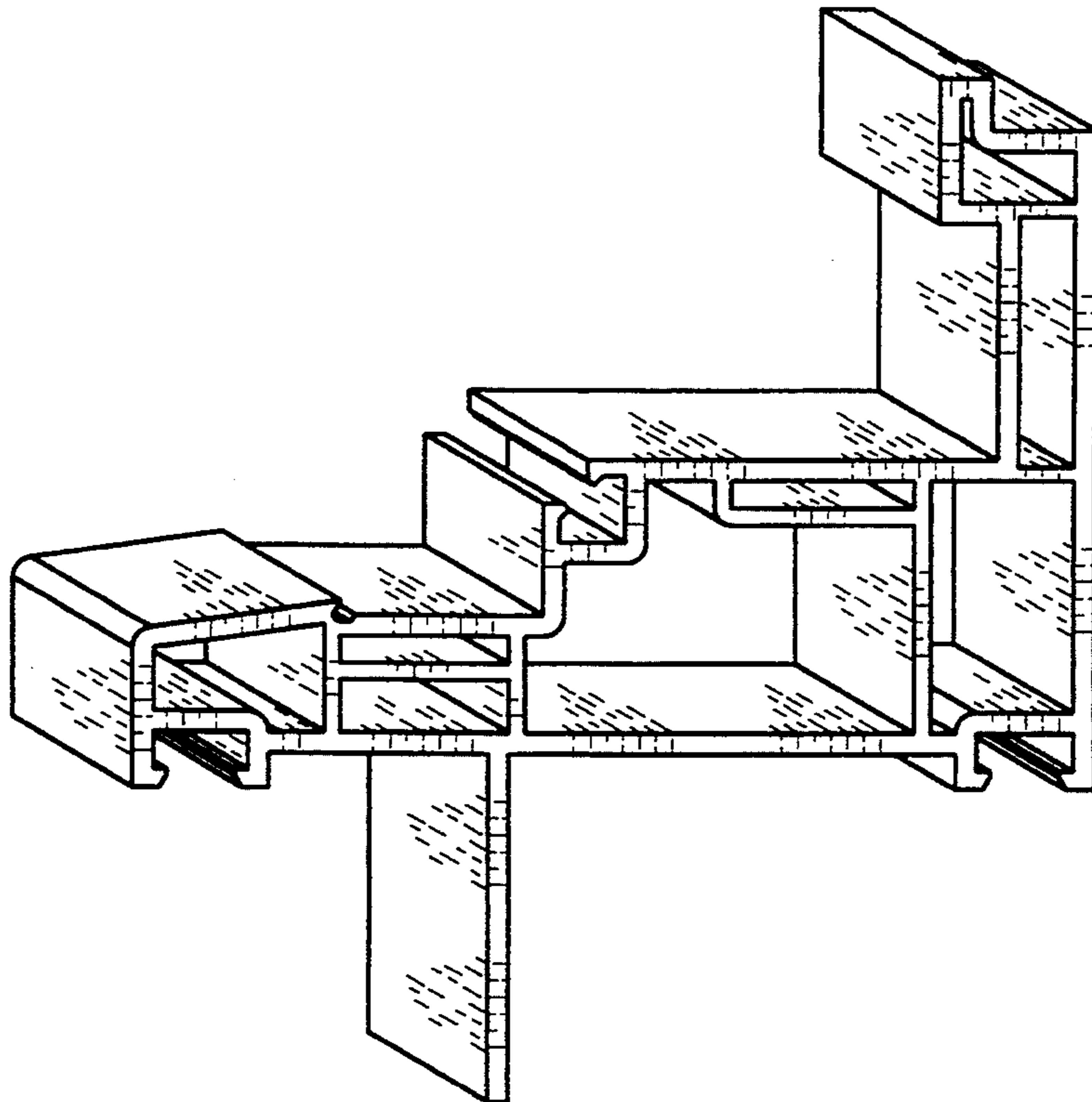
*Primary Examiner*—A. Hugo Word  
*Assistant Examiner*—Doris Clark  
*Attorney, Agent, or Firm*—Seed and Berry

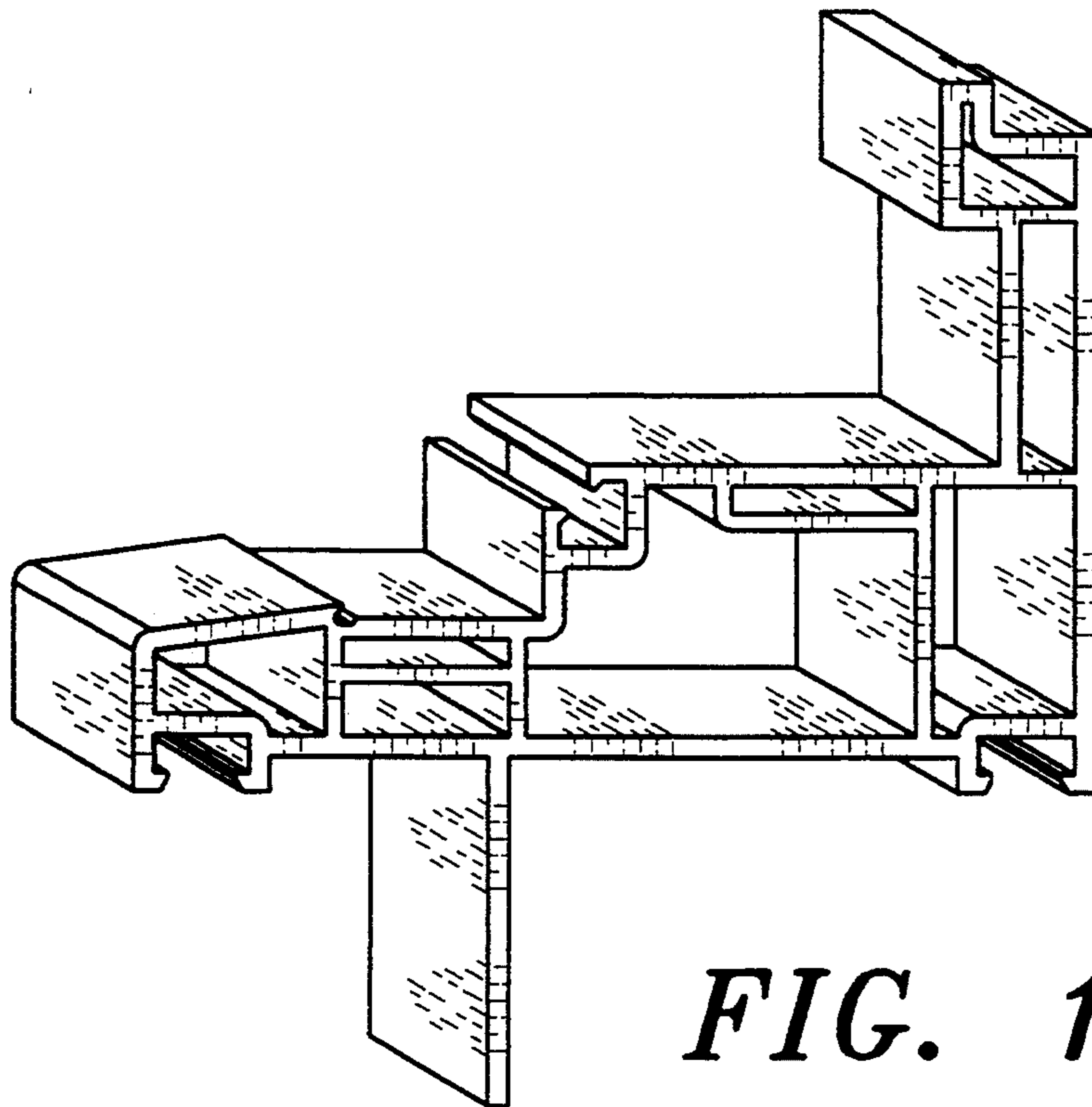
[57] CLAIM

The ornamental design for a window component extrusion, as shown and described.

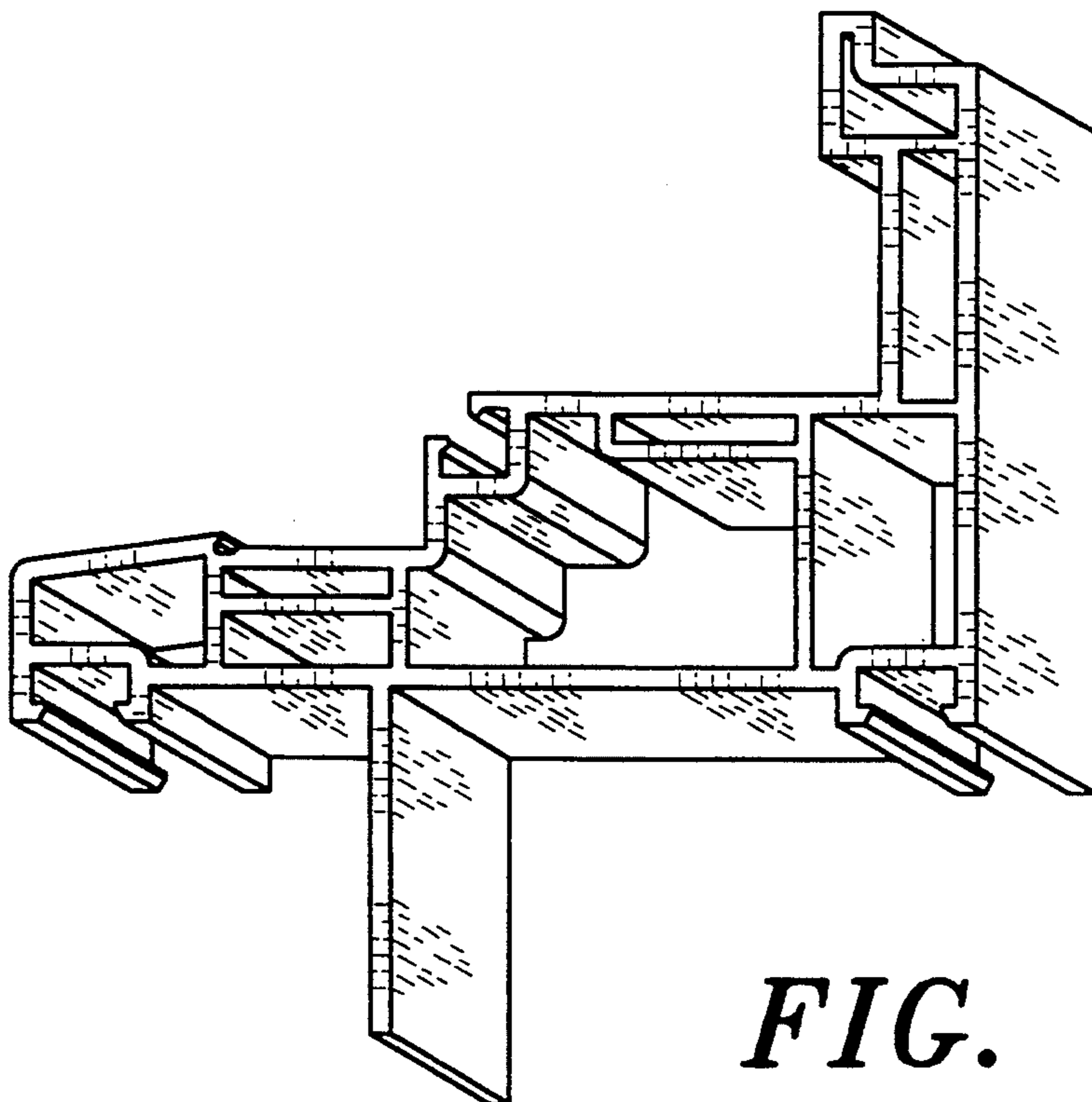
### DESCRIPTION

FIG. 1 is a top right perspective view of a window component extrusion showing my new design, the window component extrusion being of indefinite length; and, FIG. 2 is a bottom left perspective view thereof.





*FIG. 1*



*FIG. 2*