



US00D353896S

United States Patent [19]

Dallaire et al.

[11] Patent Number: **Des. 353,896**

[45] Date of Patent: **** Dec. 27, 1994**

[54] WINDOW FRAME EXTRUSION

[75] Inventors: **Raymond Dallaire; Dominique Dallaire**, both of St. David, Canada

[73] Assignee: **Dallaire Industries, Ltd.**, Quebec, Canada

[**] Term: **14 Years**

[21] Appl. No.: **8,793**

[22] Filed: **May 26, 1993**

[52] U.S. Cl. **D25/124**

[58] Field of Search 52/204.1, 204.4; 49/DIG. 2, 504, 501; D25/124, 60

[56] References Cited

U.S. PATENT DOCUMENTS

D. 325,982 5/1992 Dallaire et al. D25/124
4,974,364 12/1990 Durham, Jr. 49/DIG. 2

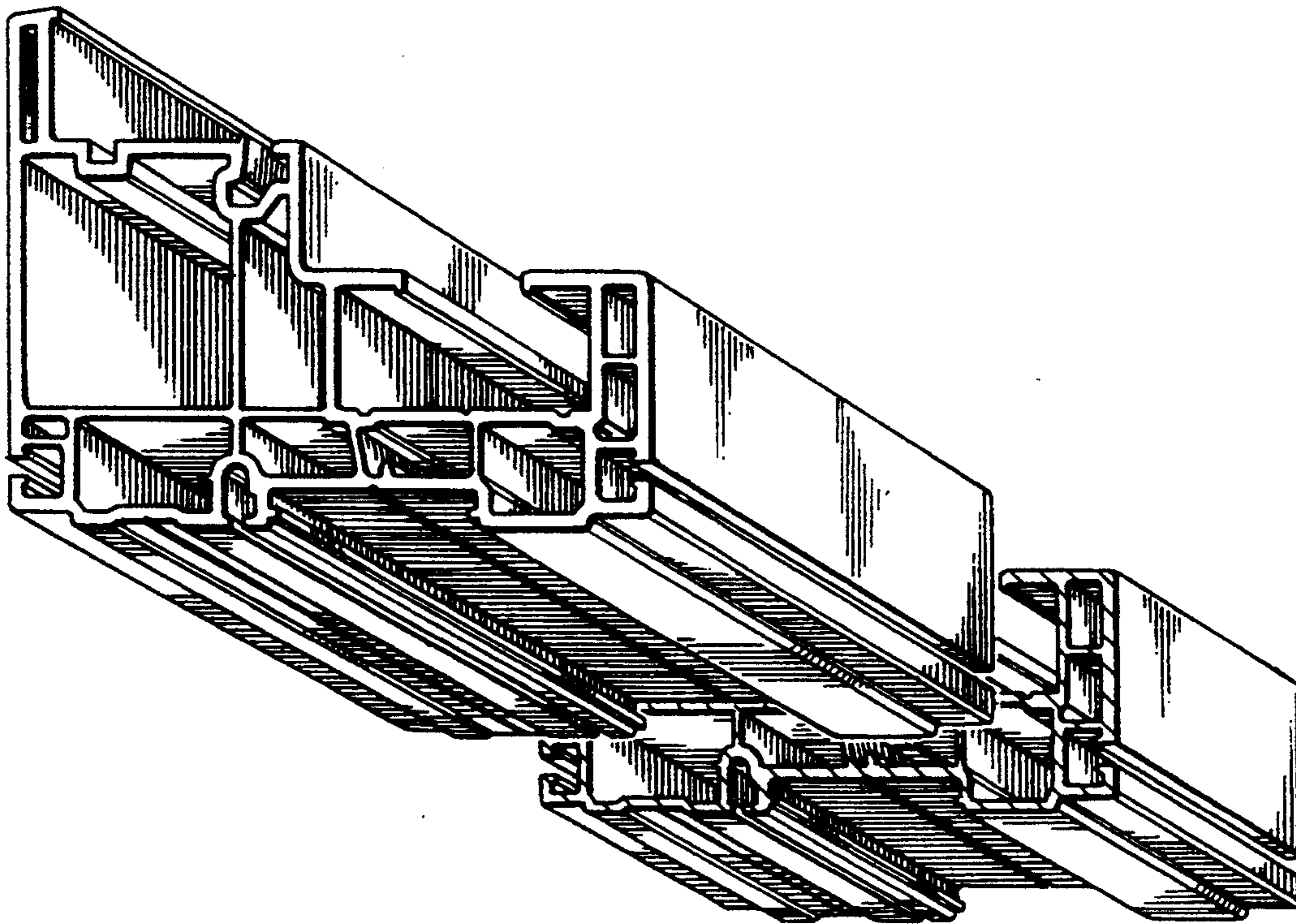
Primary Examiner—A. Hugo Word
Assistant Examiner—Doris Clark
Attorney, Agent, or Firm—James D. Hall

[57] CLAIM

The ornamental design for a window frame extrusion, as shown and described.

DESCRIPTION

FIG. 1 is an isometric view of one end and one side; and,
FIG. 2 is an isometric view of one end and other side.



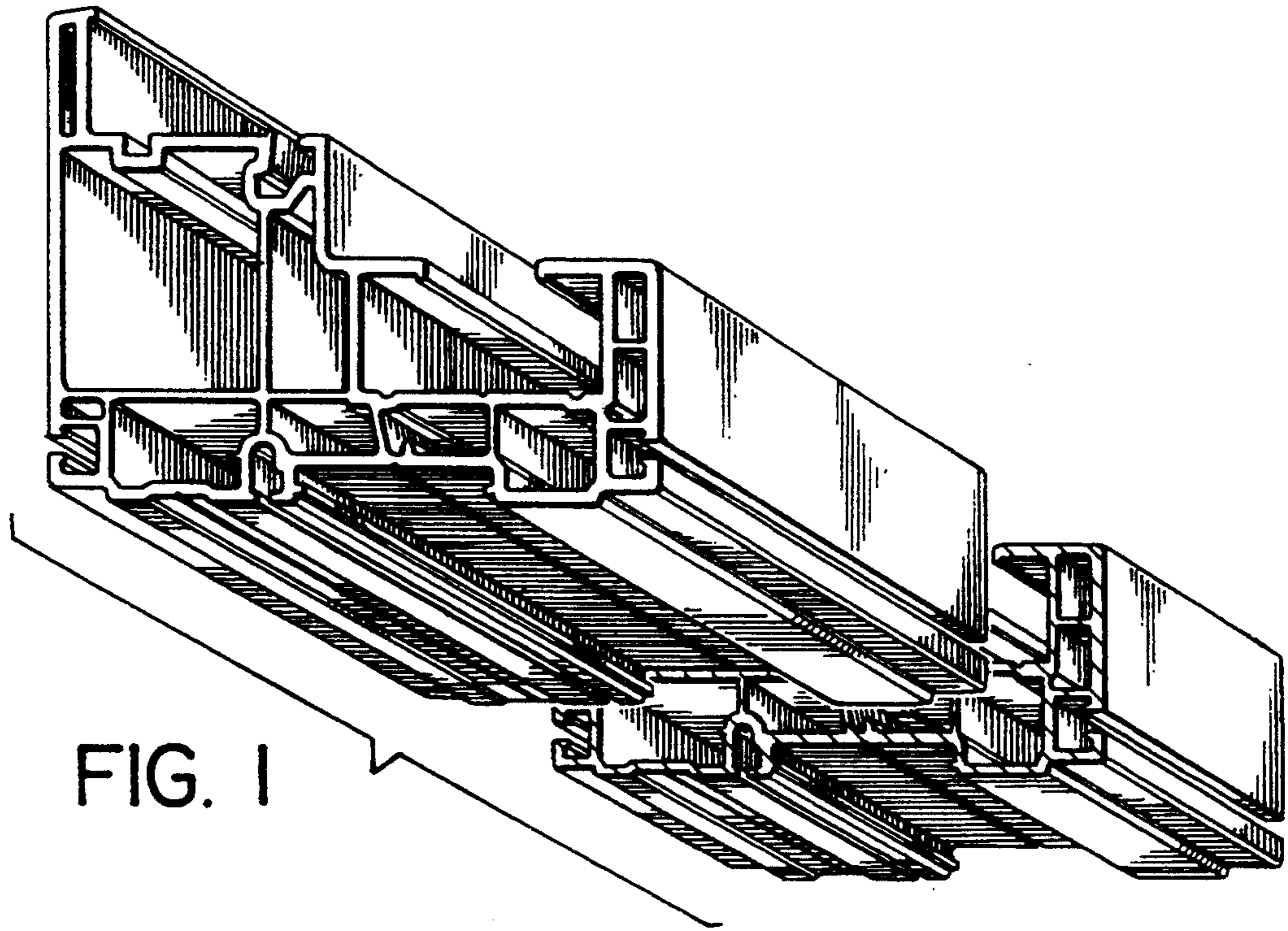


FIG. 1

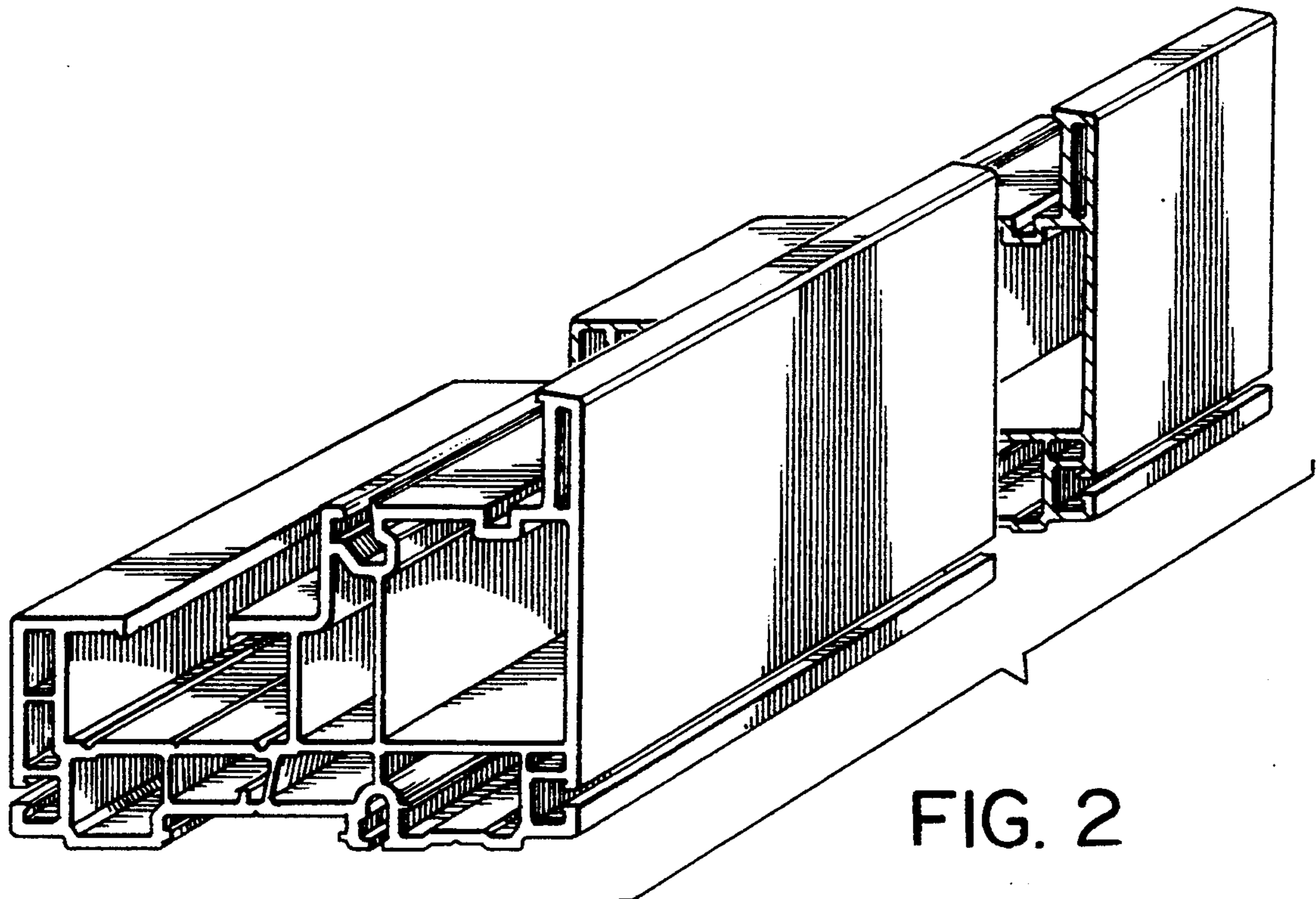


FIG. 2