



US00D353895S

United States Patent [19]

[11] Patent Number: **Des. 353,895**

Dallaire et al.

[45] Date of Patent: **** Dec. 27, 1994**

[54] WINDOW FRAME EXTRUSION

[56] References Cited

[75] Inventors: **Raymond Dallaire; Dominique Dallaire**, both of St. David, Canada

U.S. PATENT DOCUMENTS

D. 325,991 5/1992 Valentin D25/124
4,555,868 12/1985 Mancuso 49/504

[73] Assignee: **Dallaire Industries Ltd.**, Quebec, Canada

Primary Examiner—A. Hugo Word
Assistant Examiner—Doris Clark
Attorney, Agent, or Firm—James D. Hall

[**] Term: **14 Years**

[57] CLAIM

[21] Appl. No.: **7,874**

The ornamental design for a window frame extrusion, as shown and described.

[22] Filed: **May 26, 1993**

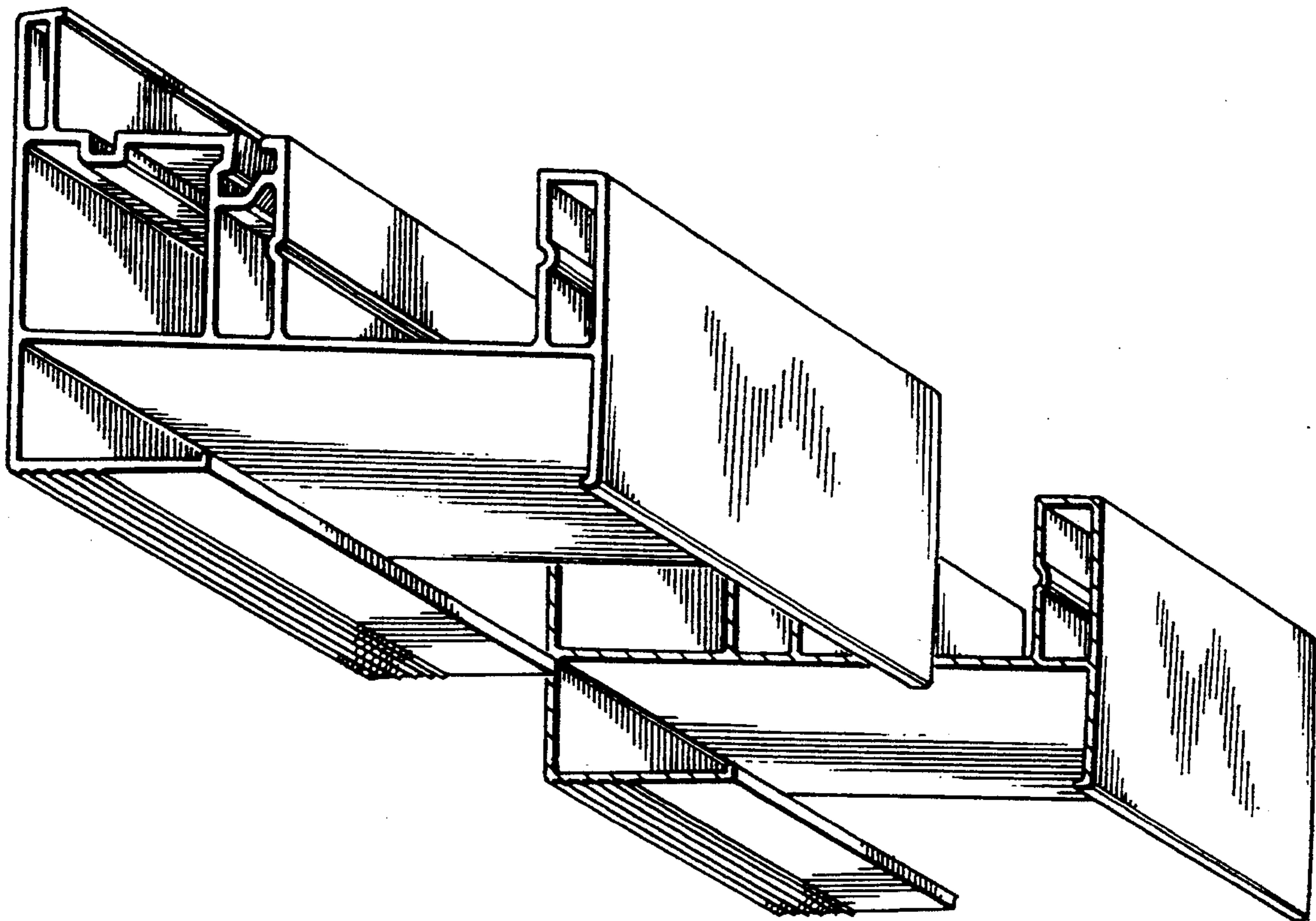
DESCRIPTION

[52] U.S. Cl. **D25/124; D25/60**

FIG. 1 is an isometric view of one end and one side; and,

[58] Field of Search 52/204.1, 204.4;
49/DIG. 2, 504, 501; D25/124, 60

FIG. 2 is an isometric view of one end and other side.



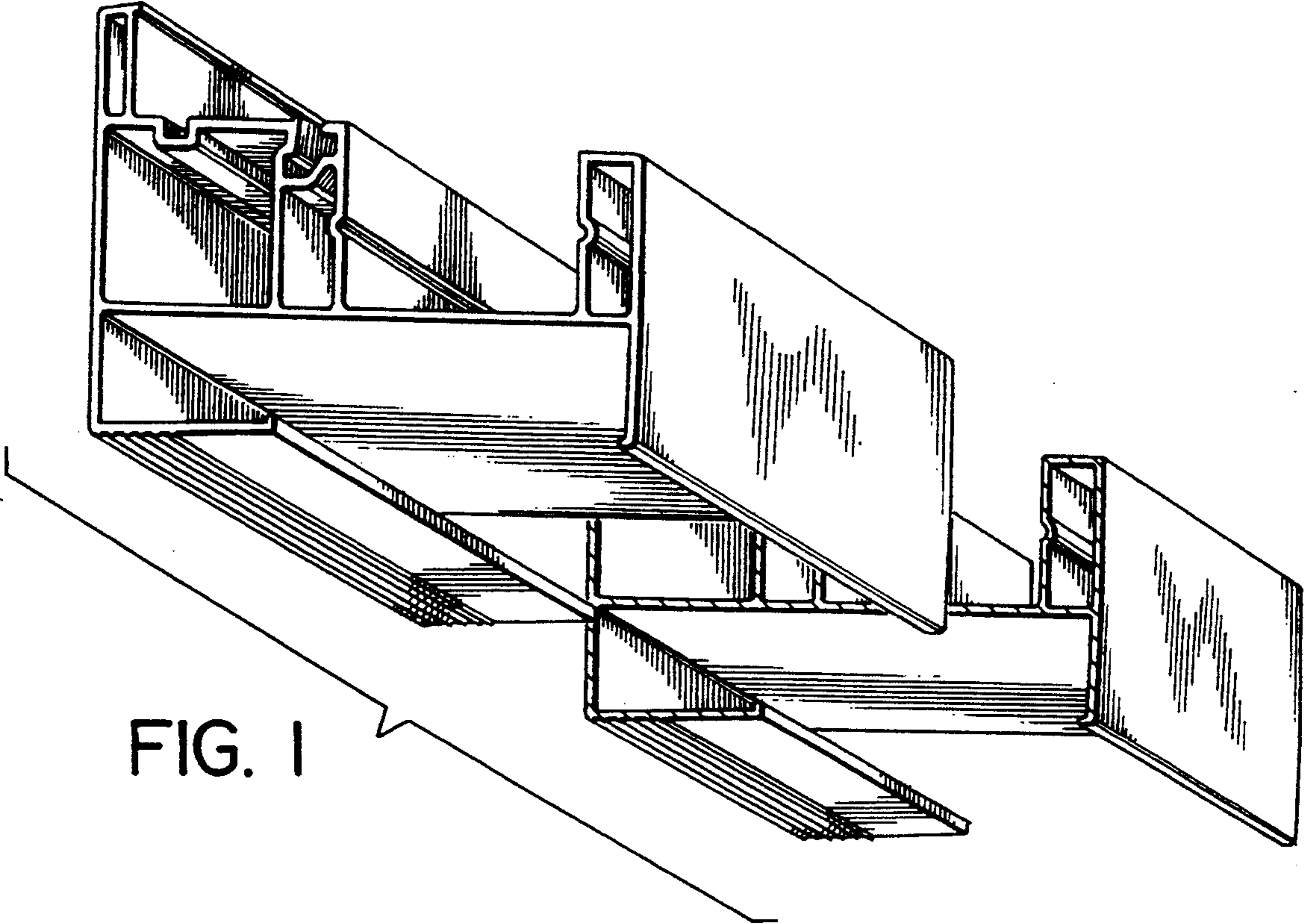


FIG. 1

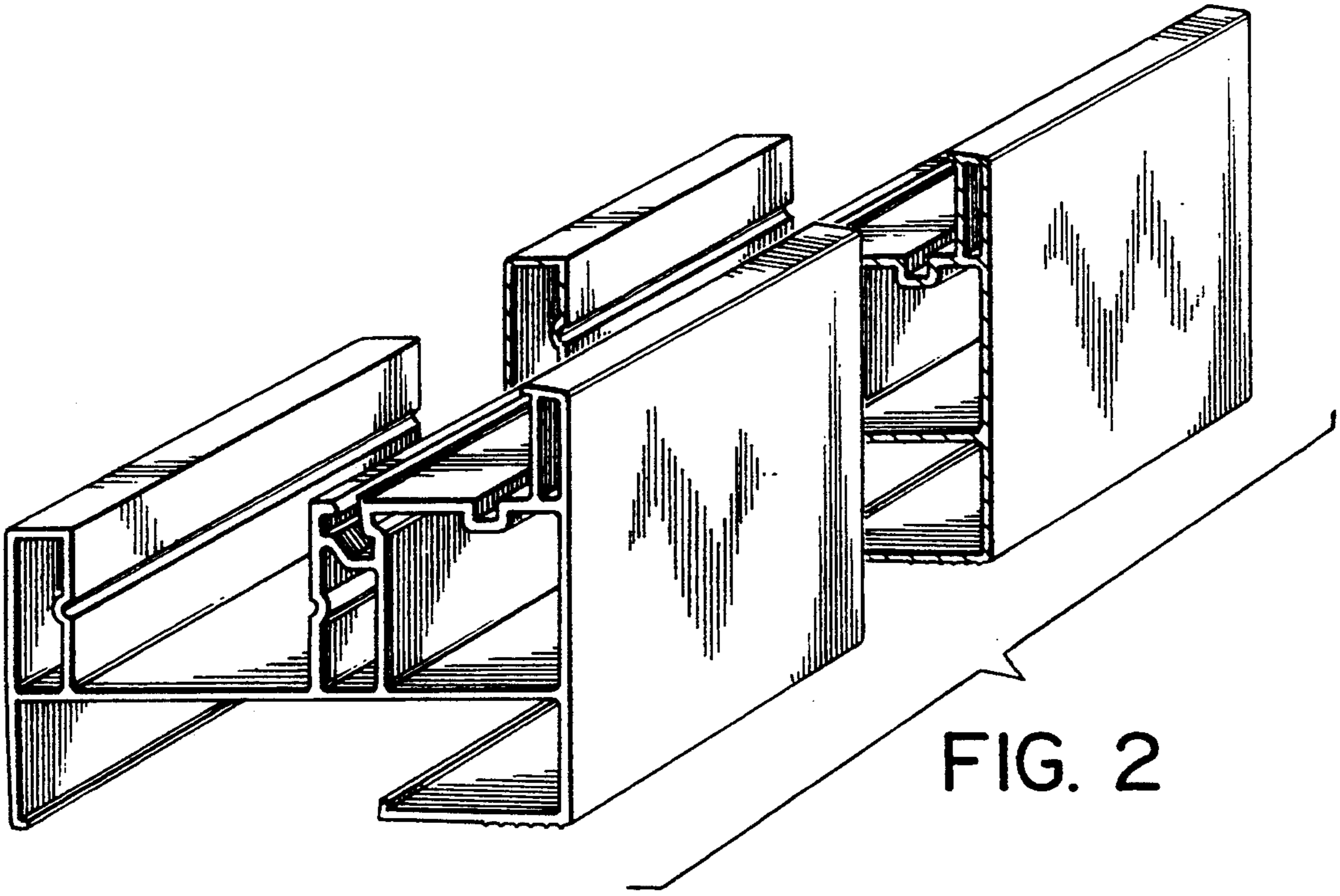


FIG. 2