



US00D353894S

United States Patent [19]

[11] Patent Number: **Des. 353,894**

Nelson et al.

[45] Date of Patent: **** Dec. 27, 1994**

[54] **INTERLOCKABLE ROOF PIPE SUPPORT BLOCK**

3,668,831	6/1972	Sweet et al.	52/596
4,018,018	4/1977	Kosuge	52/607
4,860,505	8/1989	Bender	52/596

[76] Inventors: **Larry D. Nelson**, 4720 Terraceview La. North; **Randy M. Olsen**, 15625 47th Ave. North, both of Plymouth, Minn. 55446

Primary Examiner—A. Hugo Word
Assistant Examiner—Doris Clark
Attorney, Agent, or Firm—Palmatier, Sjoquist & Helget

[**] Term: **14 Years**

[57] **CLAIM**

[21] Appl. No.: **8,877**

The ornamental design for a interlockable roof pipe support block, as shown and described.

[22] Filed: **May 28, 1993**

DESCRIPTION

[52] U.S. Cl. **D25/118**

[58] Field of Search **D25/112-118;**
52/596, 598, 602-612; 285/42

FIG. 1 is perspective view of a interlockable roof pipe support block showing our new design;

FIG. 2 is a top plan view;

FIG. 3 is a bottom plan view;

FIG. 4 is a front elevational view which is a mirror image of the rear elevational view;

FIG. 5 is a left side elevational view; and,

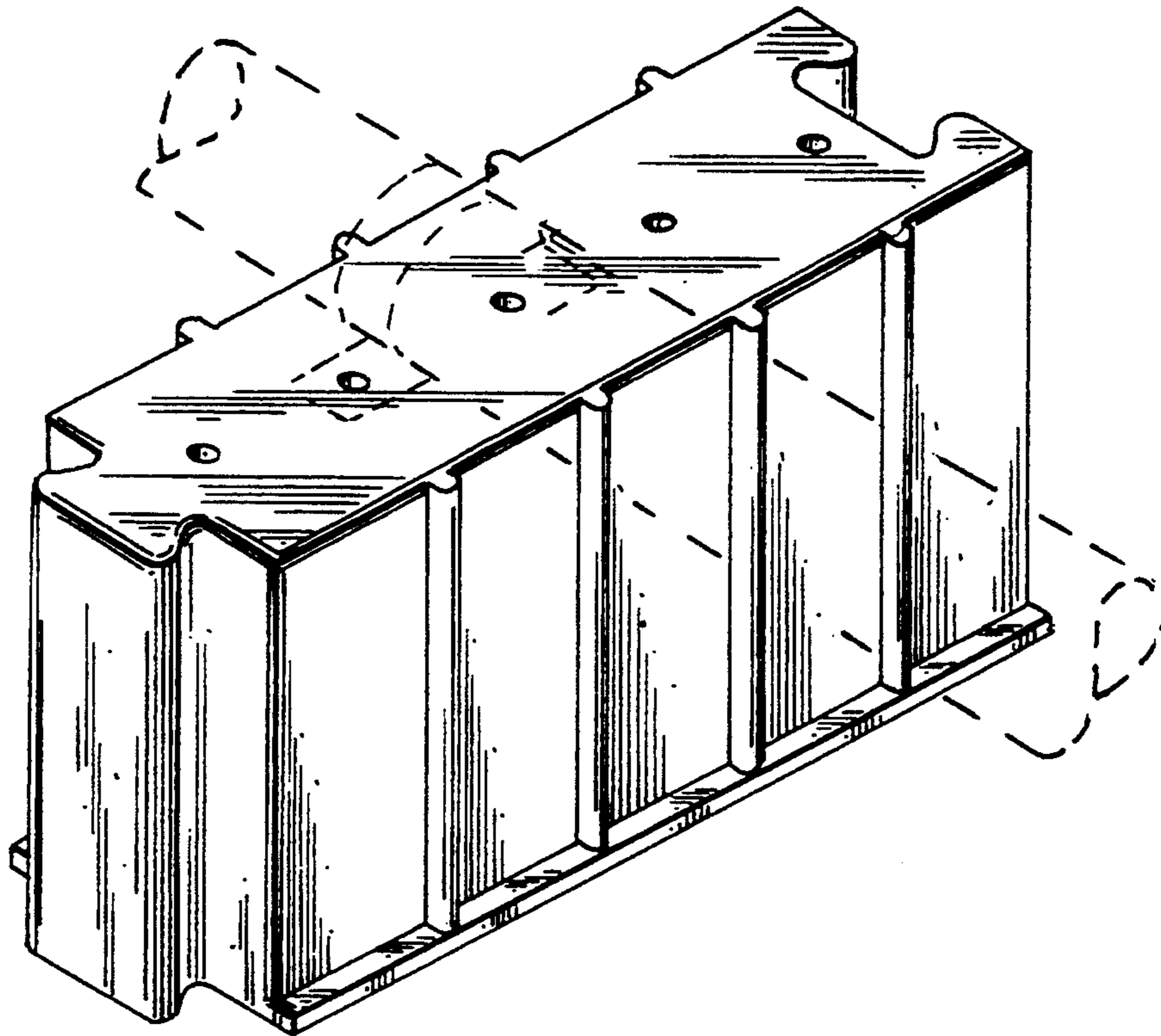
FIG. 6 is a right side elevational view.

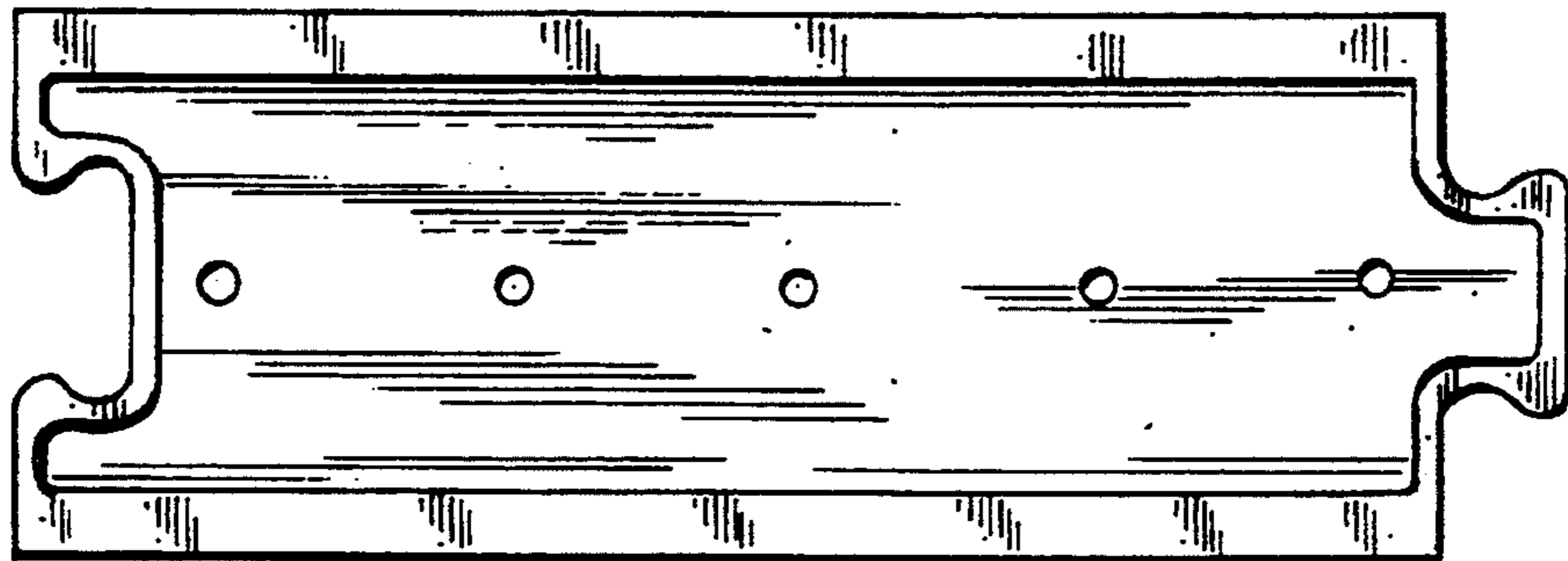
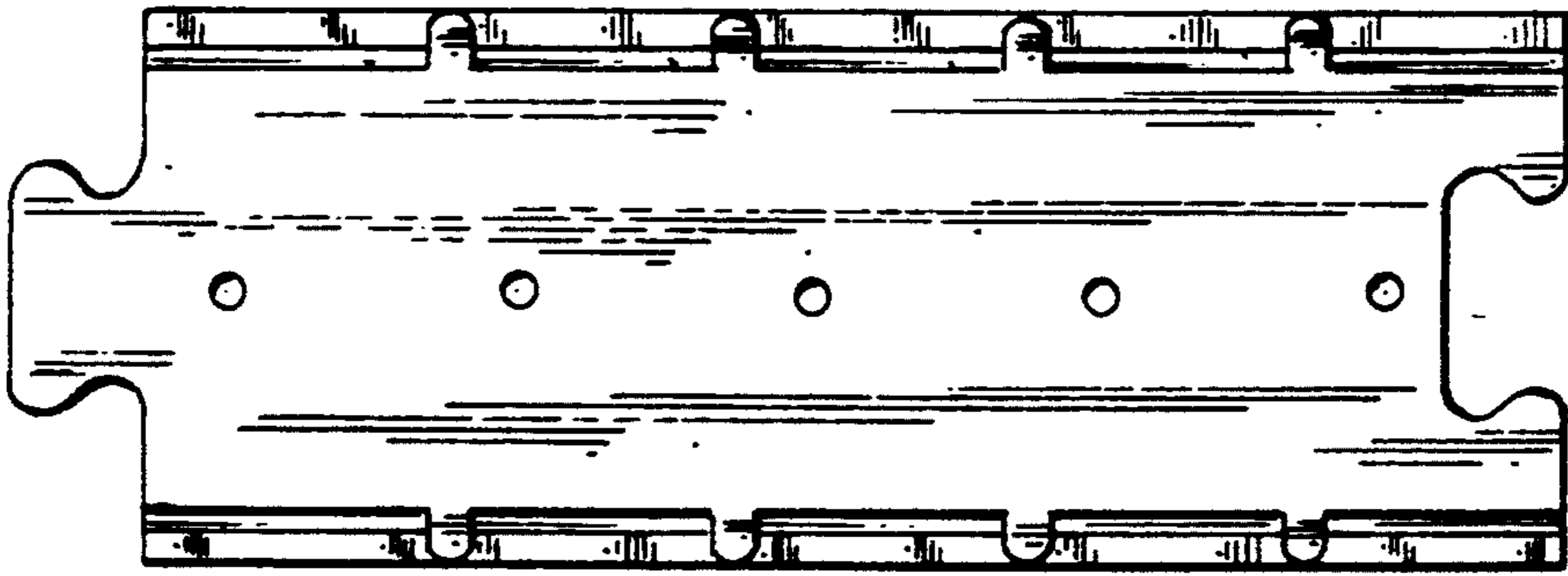
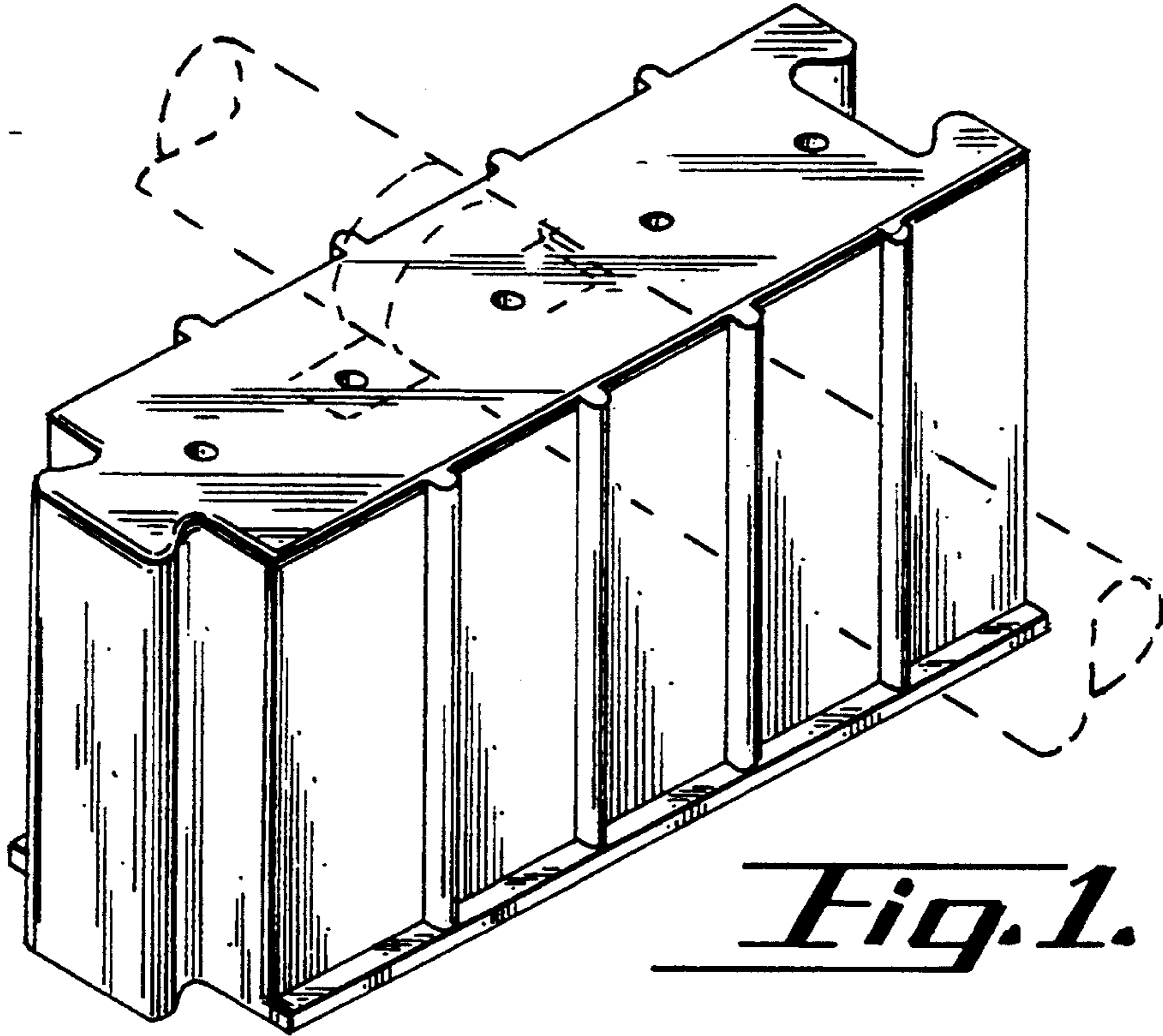
The broken lines showing a pipe are for illustrative purposes only, and form no part of the claimed design.

[56] **References Cited**

U.S. PATENT DOCUMENTS

952,918	3/1910	Mann	D25/113
2,296,699	9/1942	Bourdelais, Sr. et al.	D25/118
3,148,477	9/1964	Bjorn et al.	D25/113
3,173,226	3/1965	Solnick	52/607





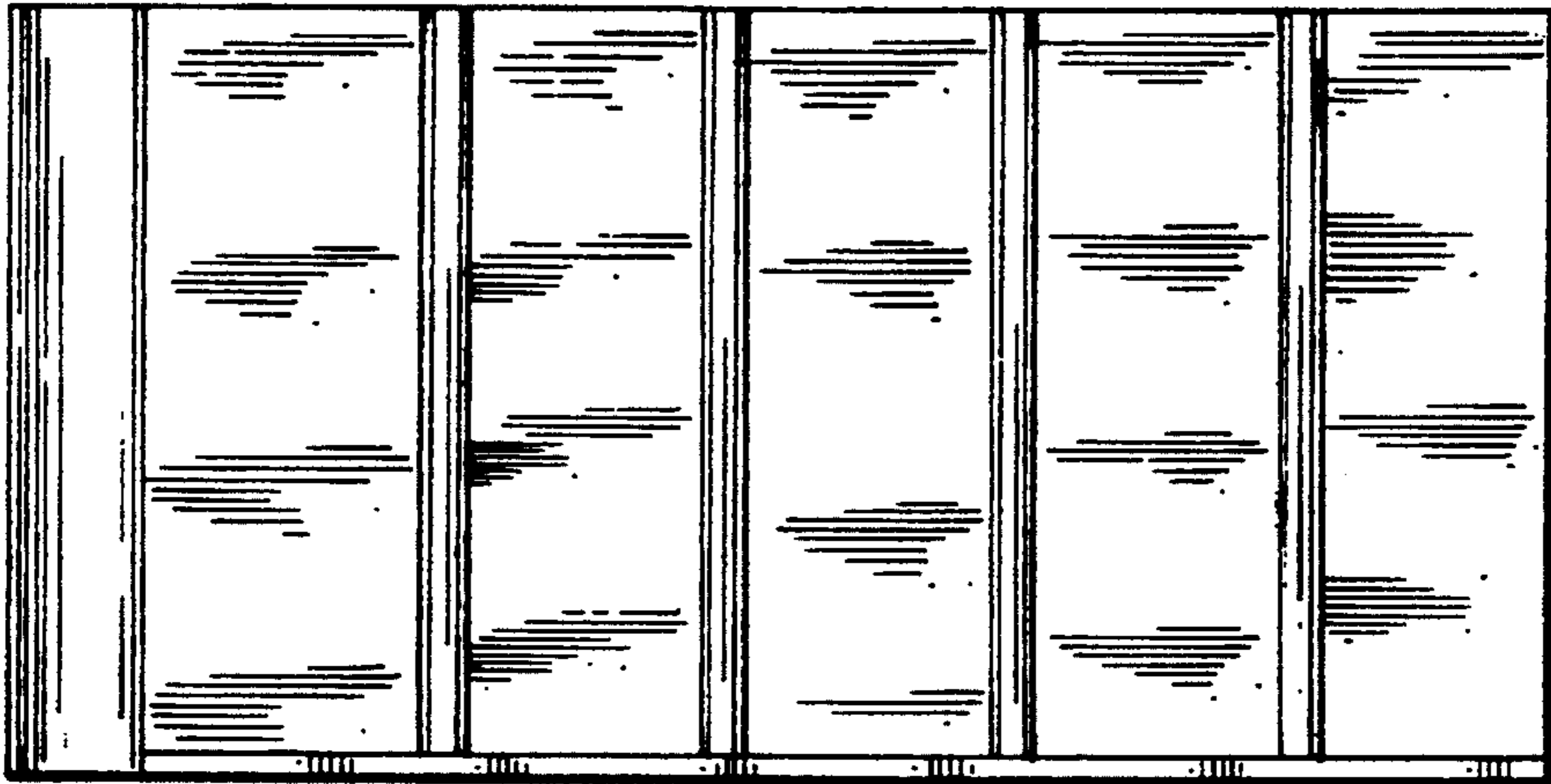


Fig. 4.

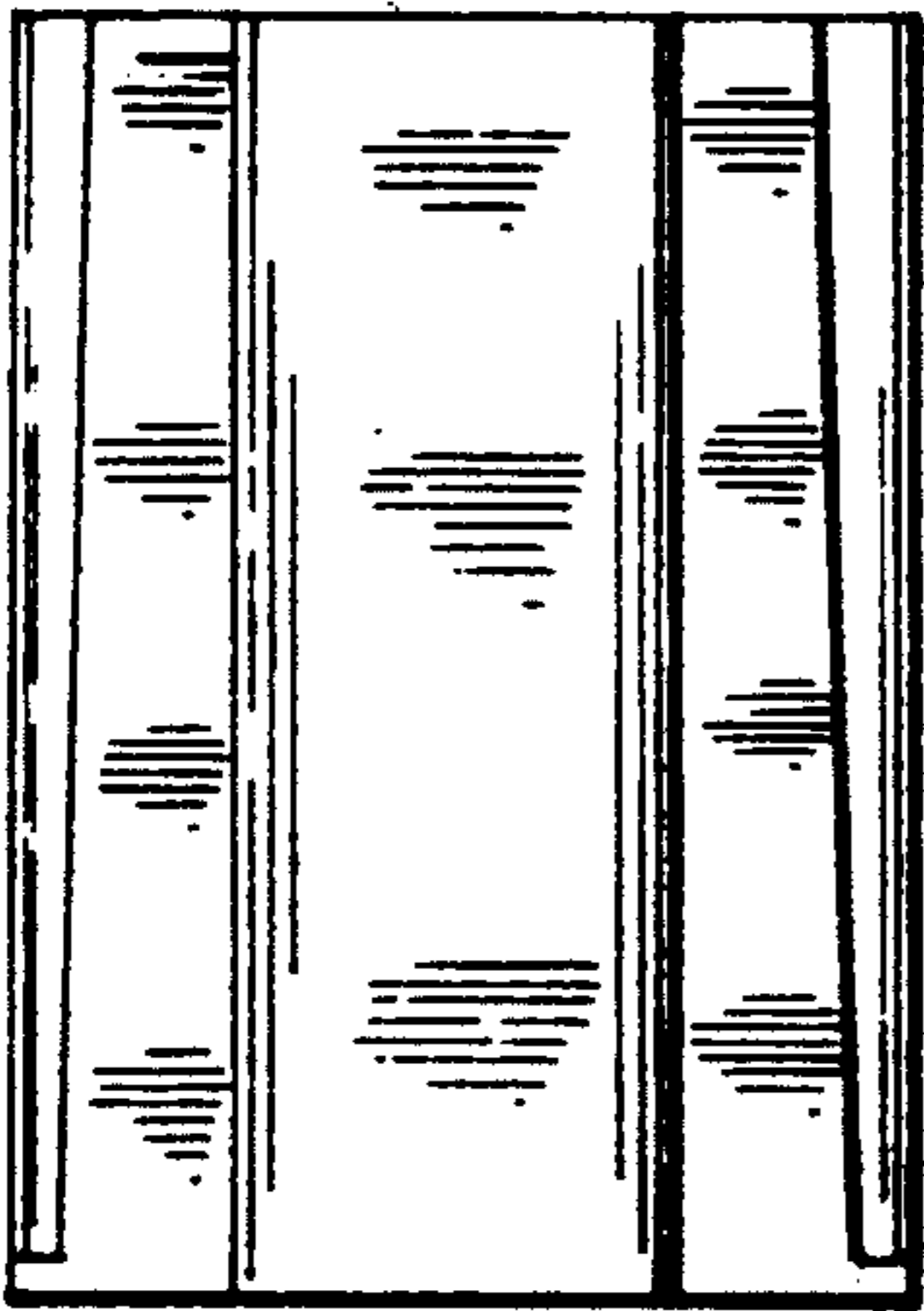


Fig. 5.

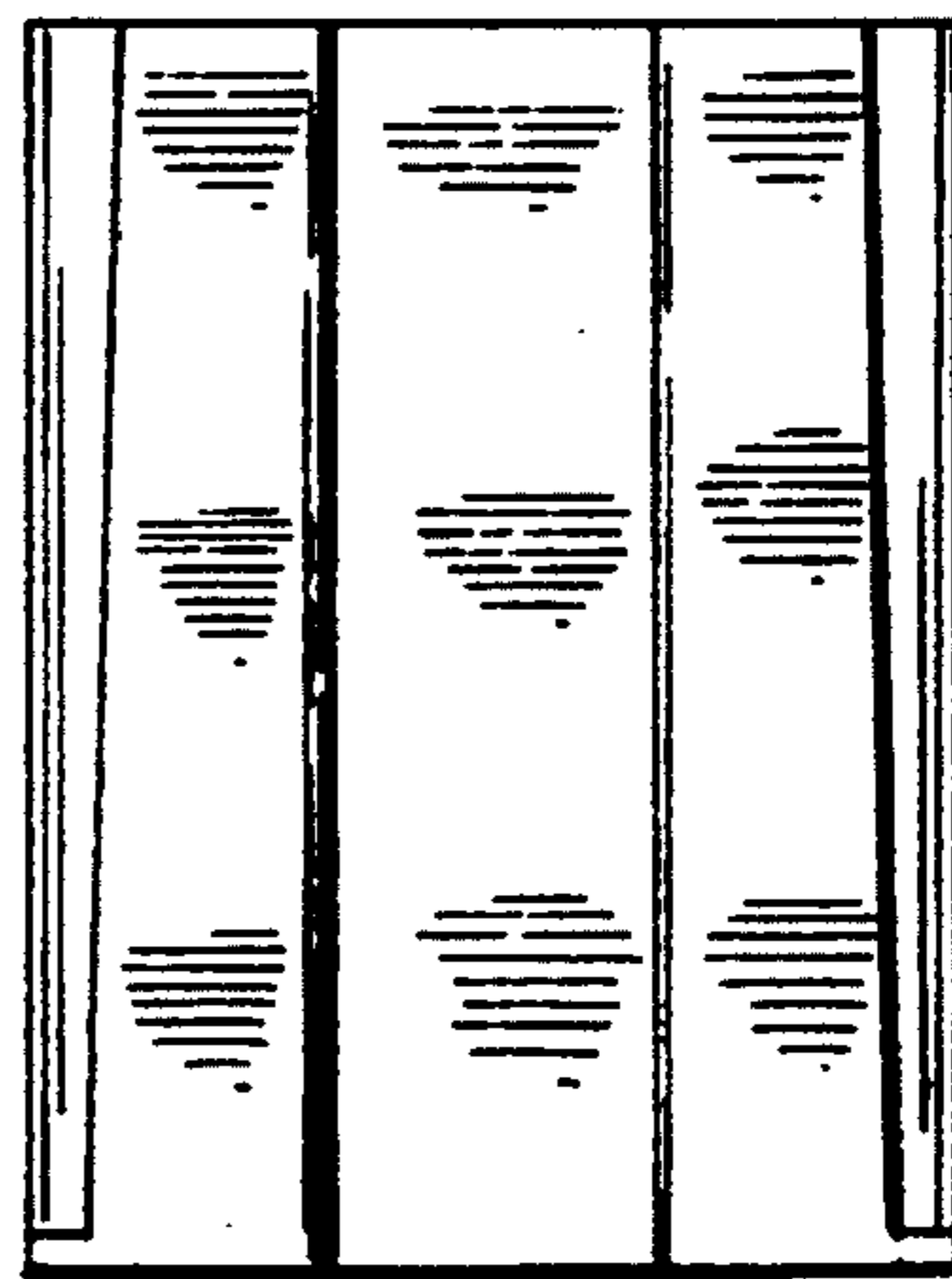


Fig. 6.