



US00D353893S

United States Patent [19]

[11] Patent Number: Des. 353,893

Perez

[45] Date of Patent: ** Dec. 27, 1994

[54] PURIFIED WATER VENDING STRUCTURE

[76] Inventor: Luis J. Perez, 1901 N. Glasscock Rd. #80, Mission, Tex. 78572

[**] Term: 14 Years

[21] Appl. No.: 11,879

[22] Filed: Aug. 17, 1993

[52] U.S. Cl. D25/16; D25/19

[58] Field of Search D25/16, 7, 19, 18, 14, D25/17, 23, 20, 32; 52/73, 82, 194, 197; D20/1, 4; D7/306, 307; D23/202, 204, 205

3,073,018	1/1963	Gauthron	52/73
3,856,676	12/1974	Grimme, Jr. et al.	210/96.1
4,327,531	5/1982	Cazaly et al.	52/73
4,486,989	12/1984	DesRochers et al.	52/194
4,660,336	4/1987	Cazaly et al.	52/73 X
4,663,897	5/1987	Ridett	52/73
5,108,590	4/1992	DiSanto	210/97

Primary Examiner—A. Hugo Word
Assistant Examiner—Doris V. Coles
Attorney, Agent, or Firm—Richard C. Litman

[57] CLAIM

The ornamental design for a purified water vending structure, as shown and described.

DESCRIPTION

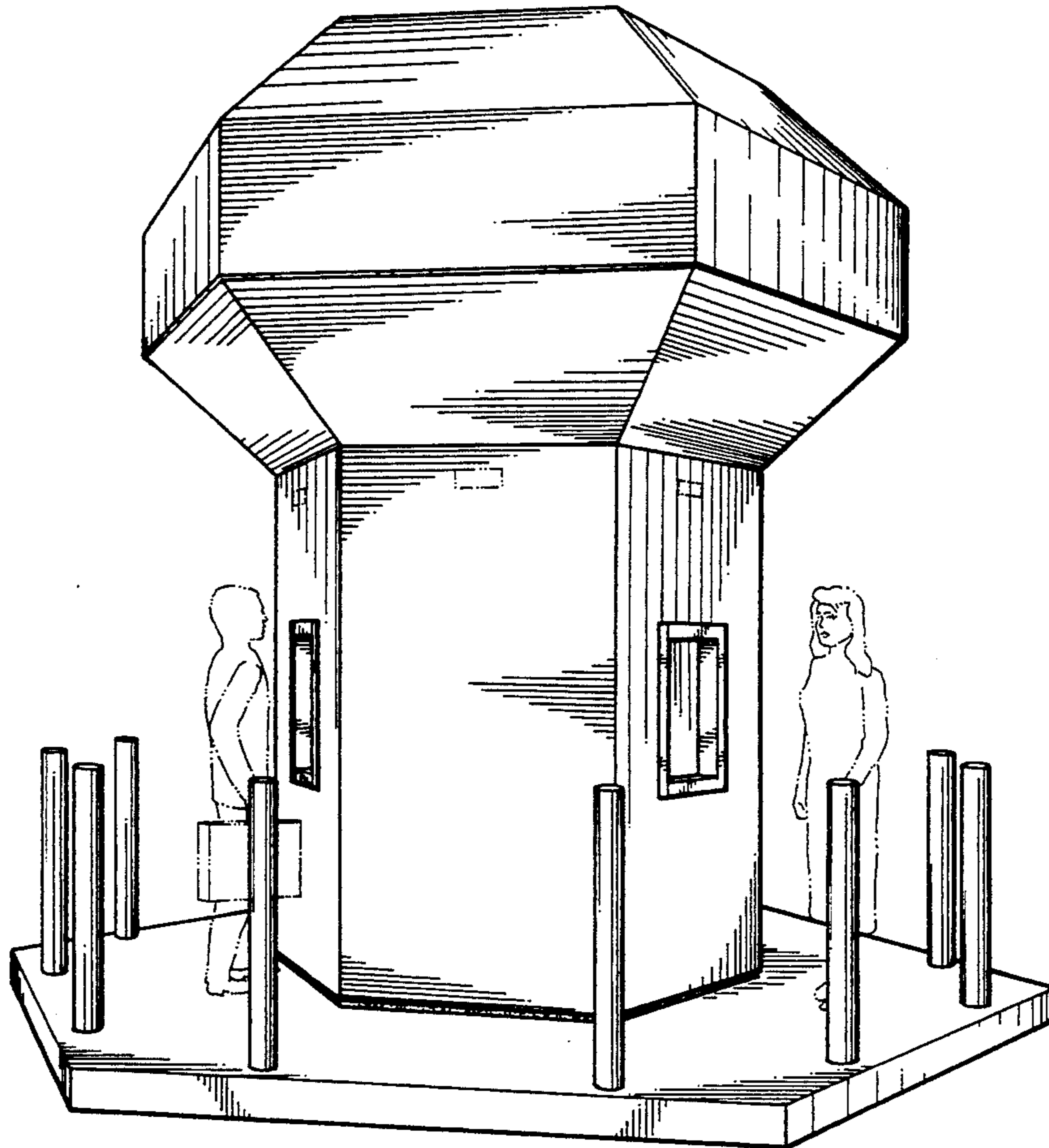
FIG. 1 is an environmental perspective view of a purified water vending structure, showing my new design; FIG. 2 is a front elevational view thereof; FIG. 3 is a rear view thereof; FIG. 4 is a left side elevational view thereof; FIG. 5 is a right side elevational view thereof; and, FIG. 6 is a top plan view thereof.

The broken line showing of human figures in FIG. 1 and rectangular lighting fixtures in FIGS. 1-5 is for illustrative purposes only and forms no part of the claimed design.

[56] References Cited

U.S. PATENT DOCUMENTS

D. 73,598	10/1927	Clark	D25/7
D. 197,264	12/1963	Anderson, Sr.	D23/205
D. 198,673	7/1964	Strogilis	D25/19
D. 227,357	6/1973	Wheeler	D25/19
D. 248,982	8/1978	Cook	D25/16 X
D. 282,084	1/1986	Koch	D20/1
D. 306,532	3/1990	Greyung et al.	D25/16 X
D. 317,545	6/1991	Lambert et al.	D7/307
D. 331,264	11/1992	Ellis	D20/1
D. 341,746	11/1993	Stillson	D20/4 X
D. 345,612	3/1994	Campbell et al.	D25/16



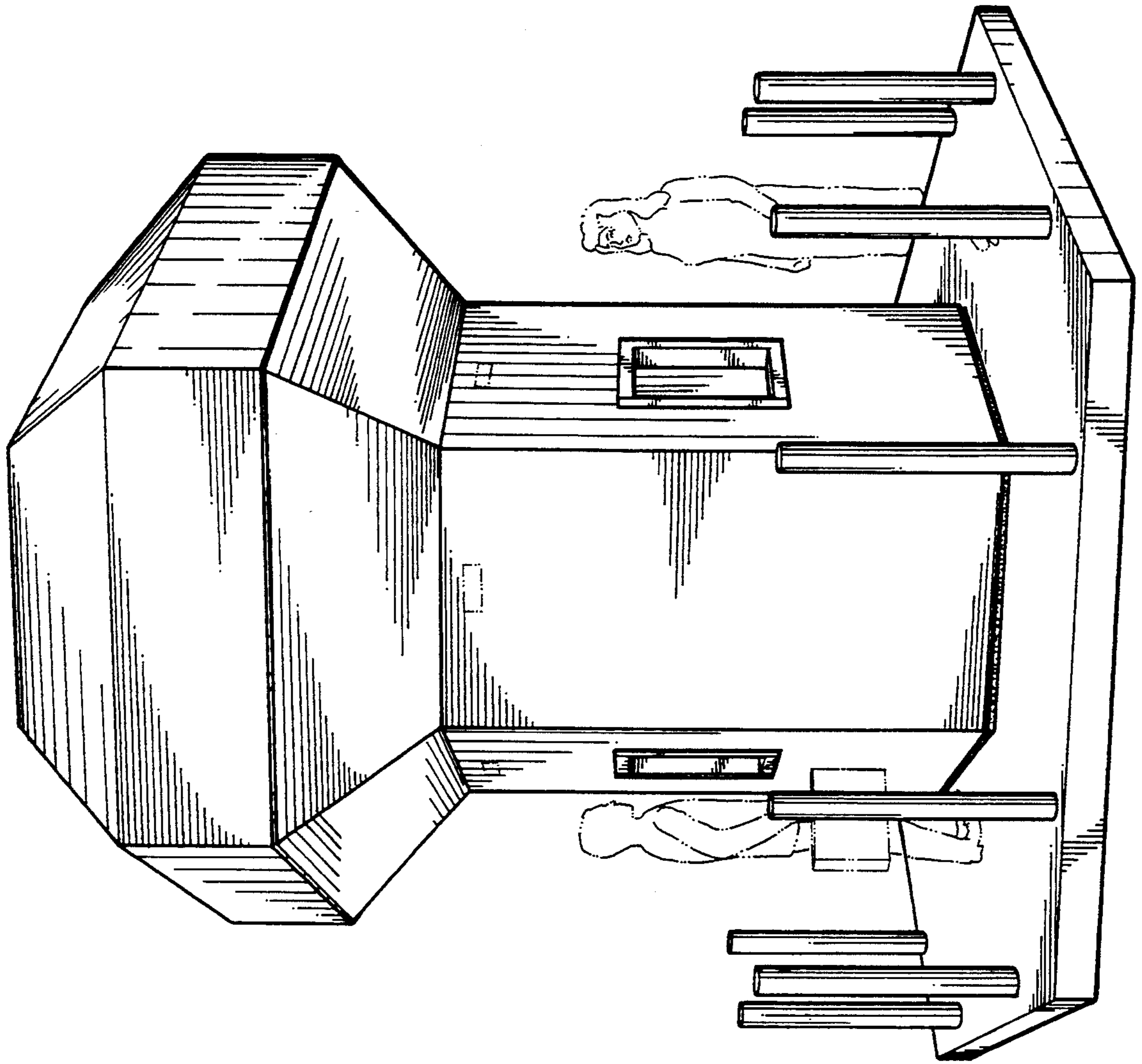


FIG. 1

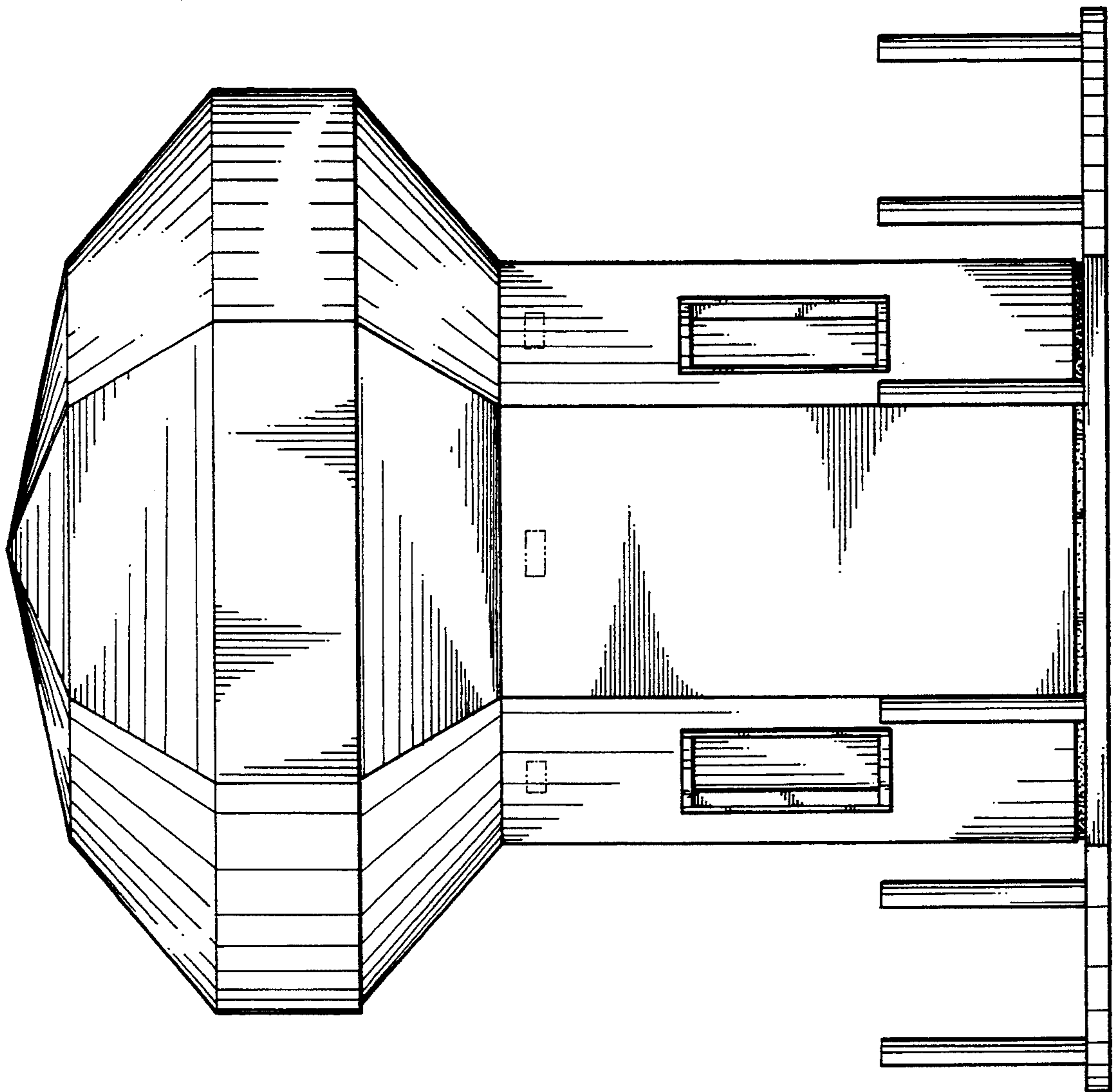


FIG. 3

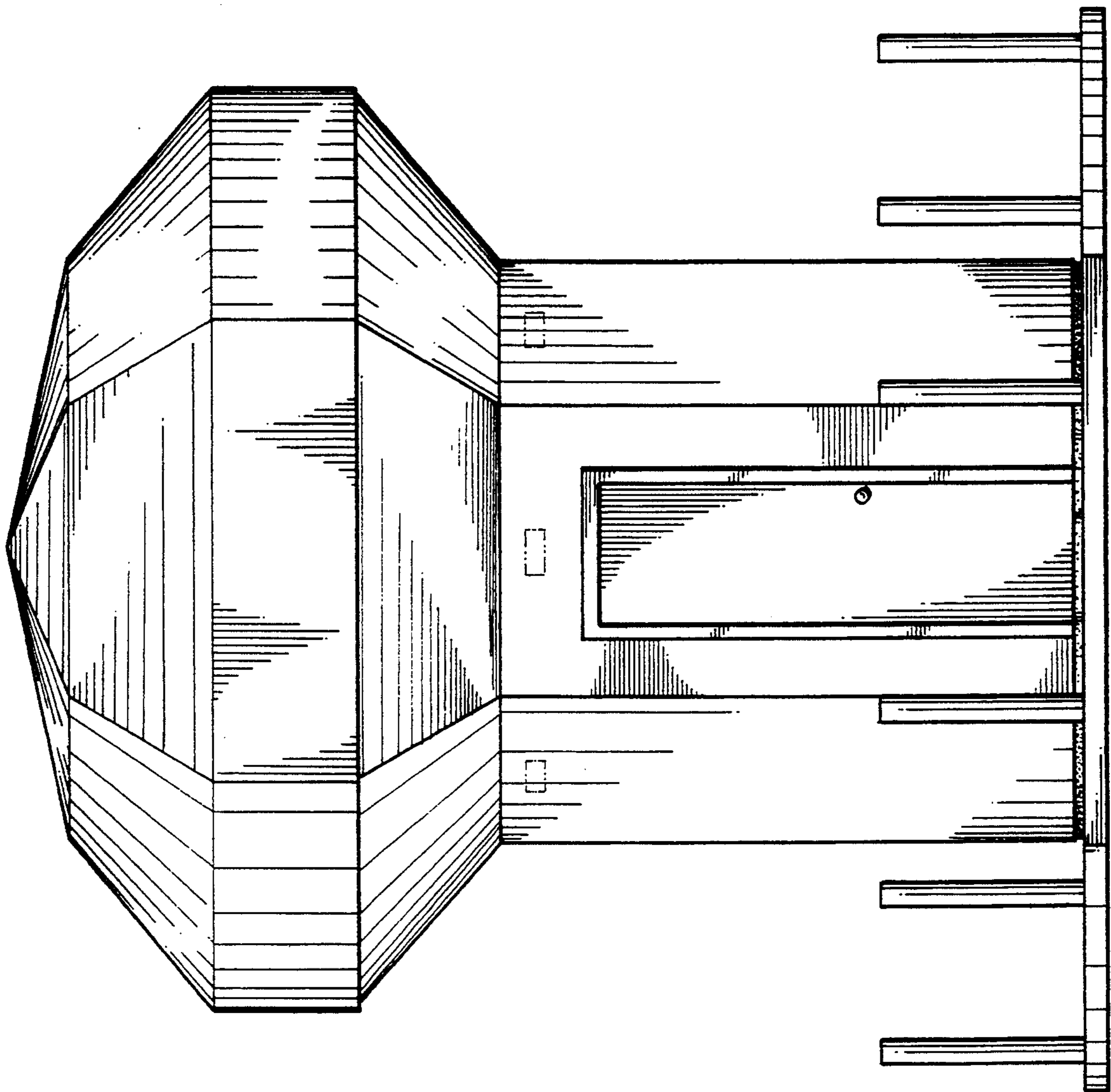


FIG. 4

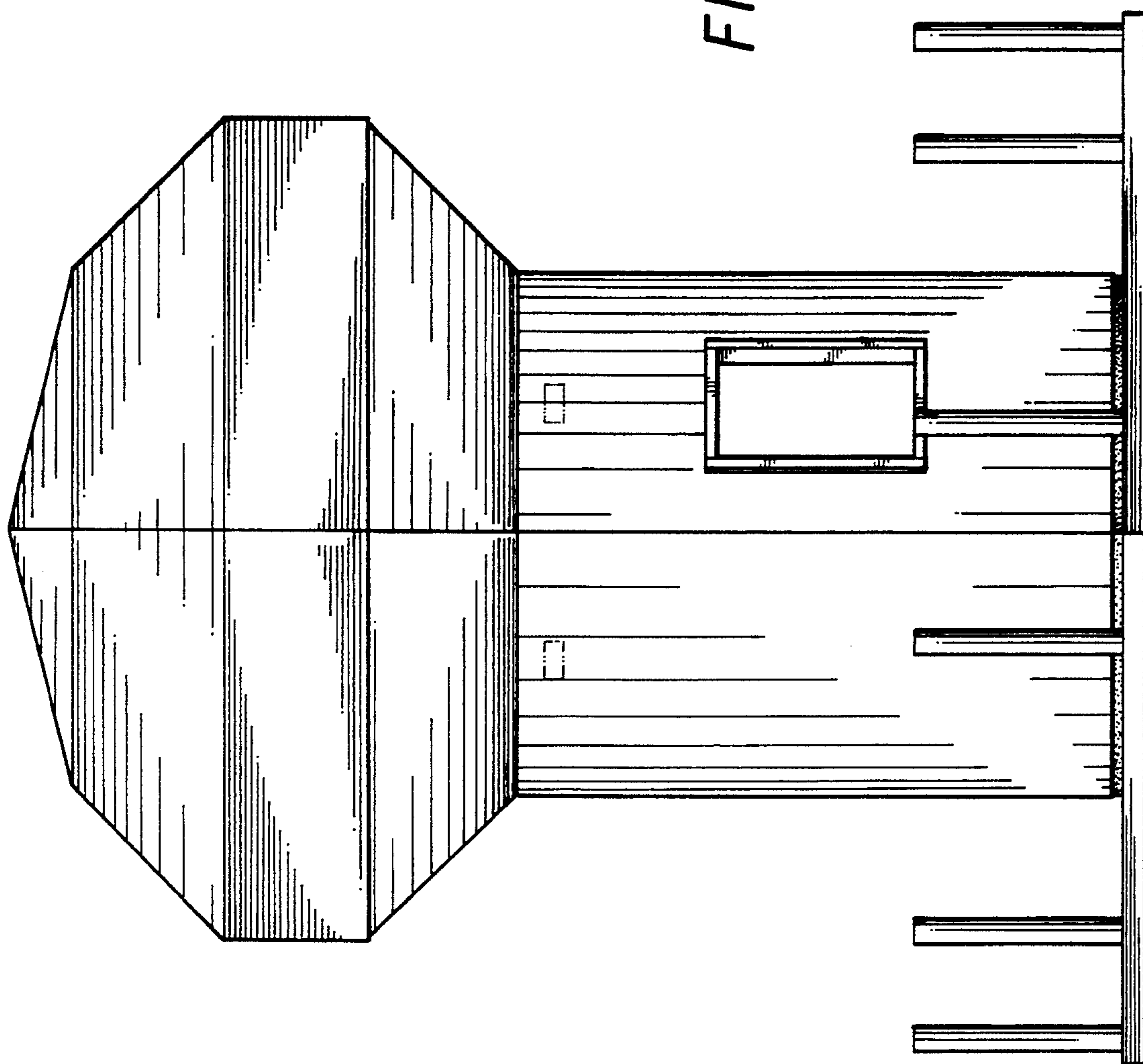
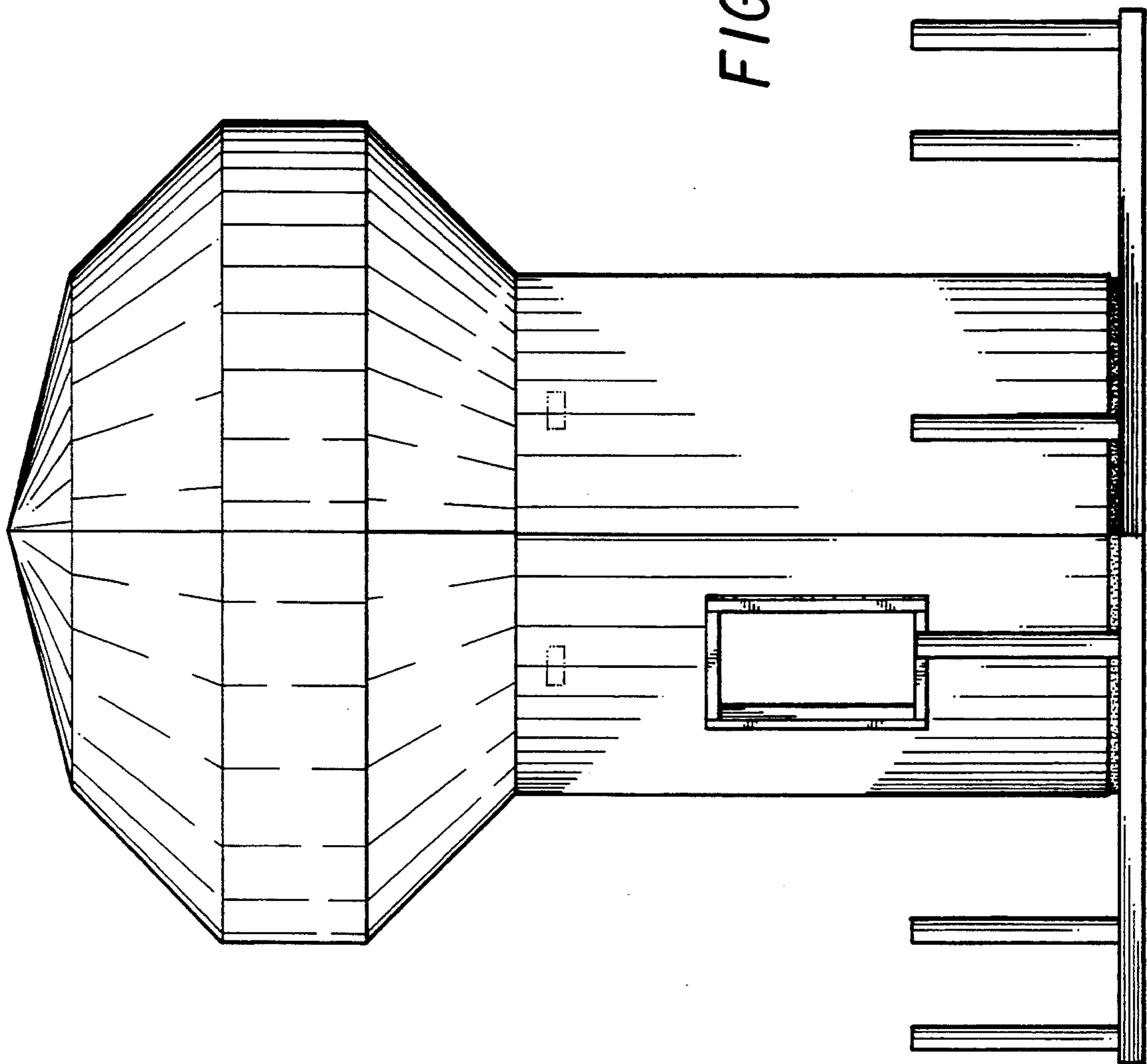


FIG. 5



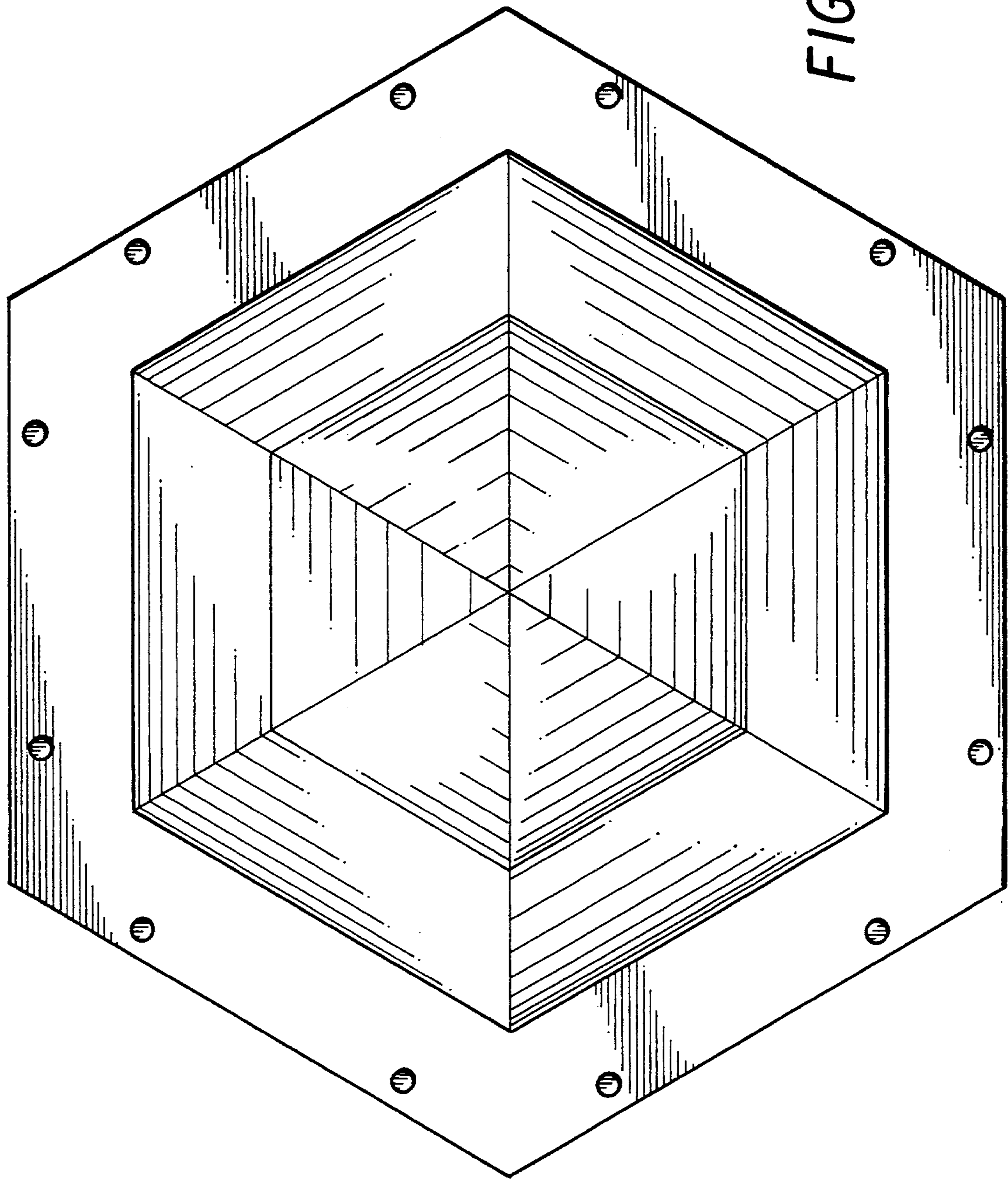


FIG. 6