



US00D353892S

# United States Patent [19]

Shaw et al.

[11] Patent Number: Des. 353,892

[45] Date of Patent: \*\* Dec. 27, 1994

[54] COMBINED HOT AND COLD THERAPY PAD

[75] Inventors: Sammie L. Shaw; Robert Shaw, both of Fountain Valley, Calif.

[73] Assignee: Aqua Cel Corporation, Santa Ana, Calif.

[\*\*] Term: 14 Years

[21] Appl. No.: 857,811

[22] Filed: Mar. 26, 1992

### Related U.S. Application Data

[63] Continuation-in-part of Ser. No. 416,127, Oct. 2, 1989, Pat. No. Des. 325,089.

[52] U.S. Cl. .... D24/207; D24/206

[58] Field of Search ..... D24/207, 206, 200; 607/109, 112, 114, 96

### [56] References Cited

#### U.S. PATENT DOCUMENTS

D. 32,787	6/1900	Vigne .....	D24/207
D. 122,456	9/1940	Bradford .....	D24/206
D. 325,089	3/1992	Shaw .....	D24/207
919,614	4/1909	Meinecke .....	607/109
1,964,655	6/1934	Williamson .....	607/109
4,832,030	5/1989	De Canto .....	607/109

Primary Examiner—Stella Reid

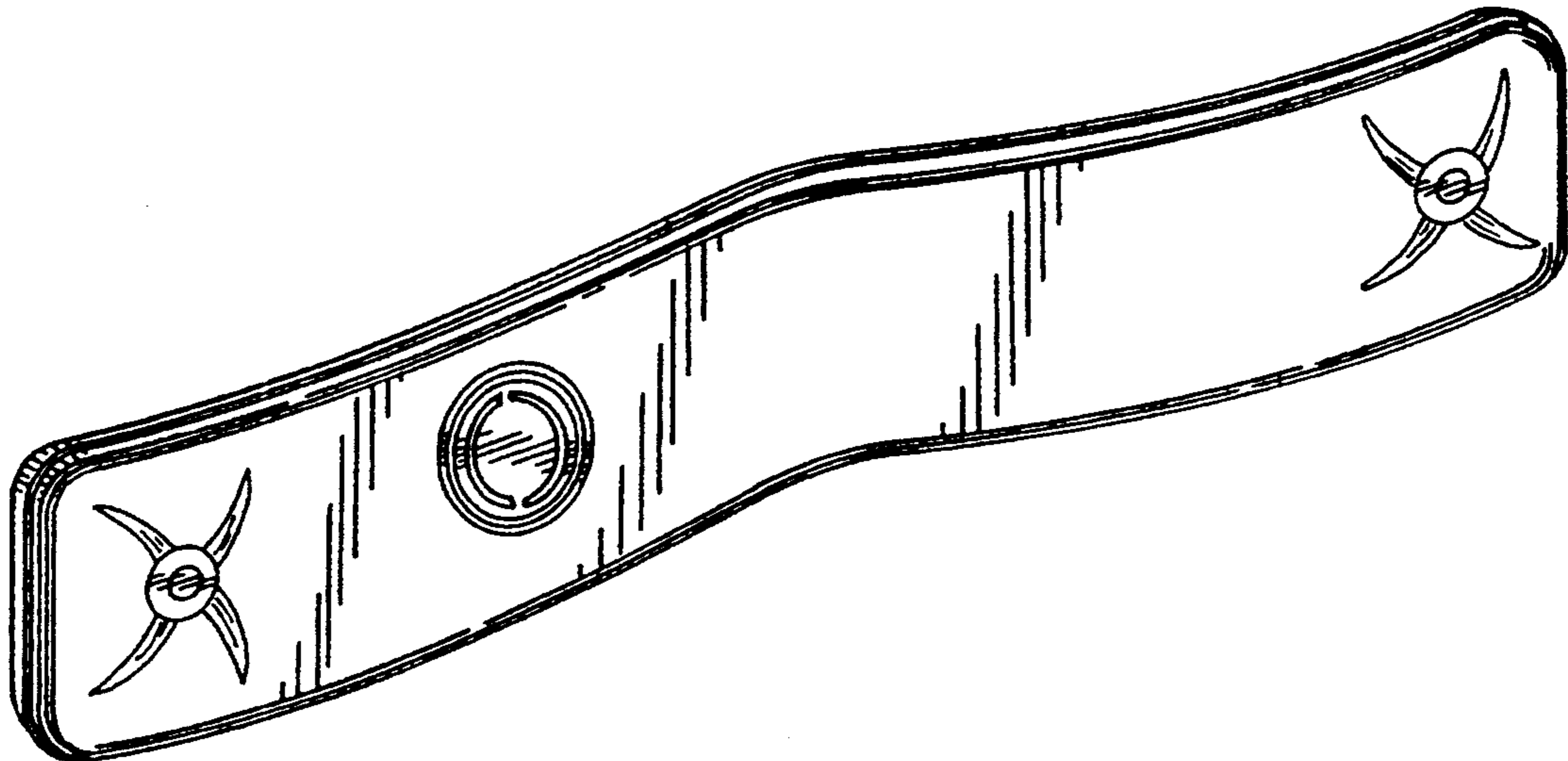
Attorney, Agent, or Firm—Gregory Garmong

### [57] CLAIM

The ornamental design for a combined hot and cold therapy pad, as shown and described.

### DESCRIPTION

FIG. 1 is a perspective view of a combined hot and cold therapy pad;  
 FIG. 2 is an end elevational view thereof, the opposite end elevational view being substantially identical;  
 FIG. 3 is a front elevational view thereof;  
 FIG. 4 is a rear elevational view thereof; and,  
 FIG. 5 is a top plan view thereof; and,  
 FIG. 6 is a bottom plan view thereof.



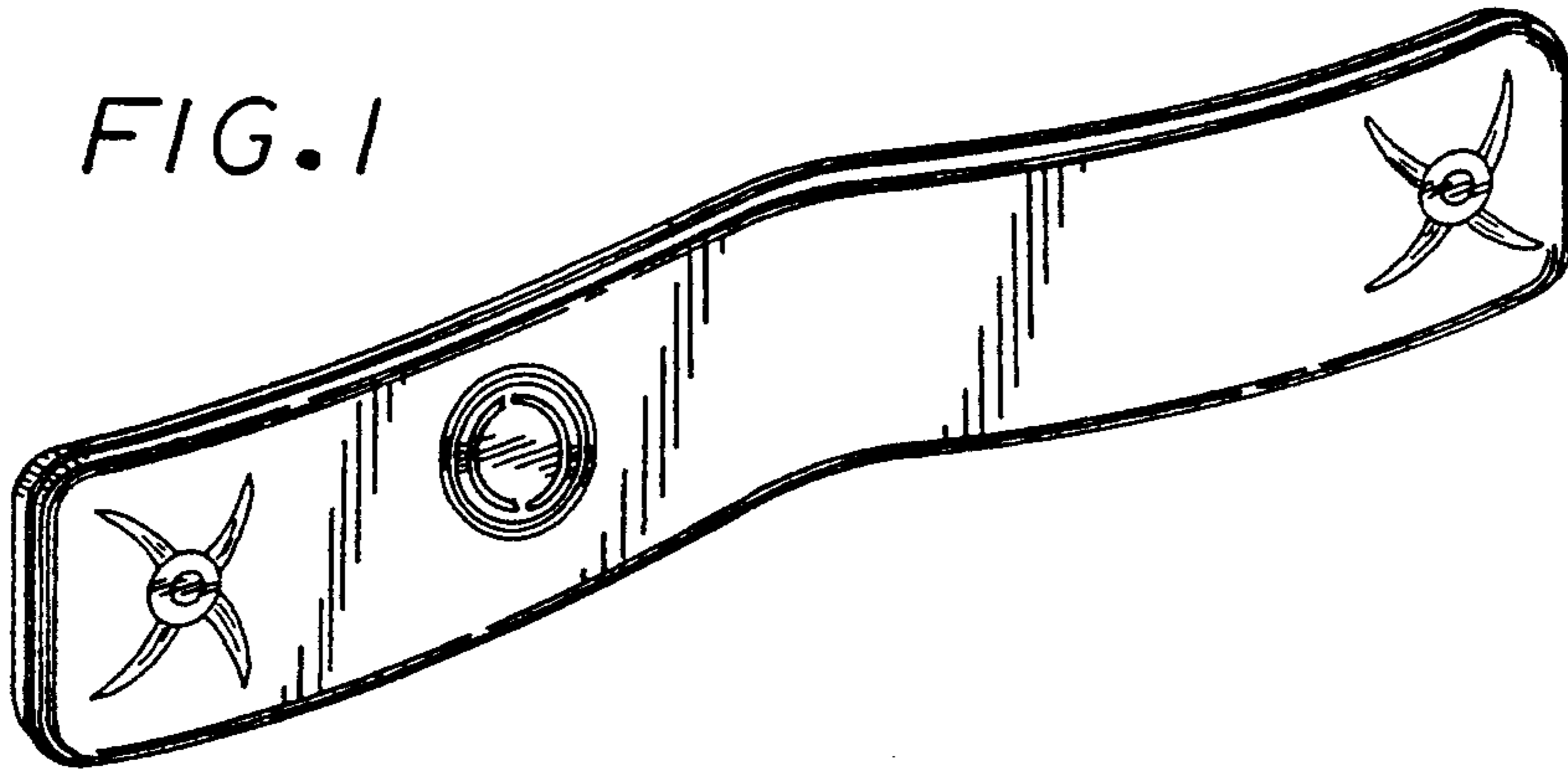


FIG. 2



FIG. 3

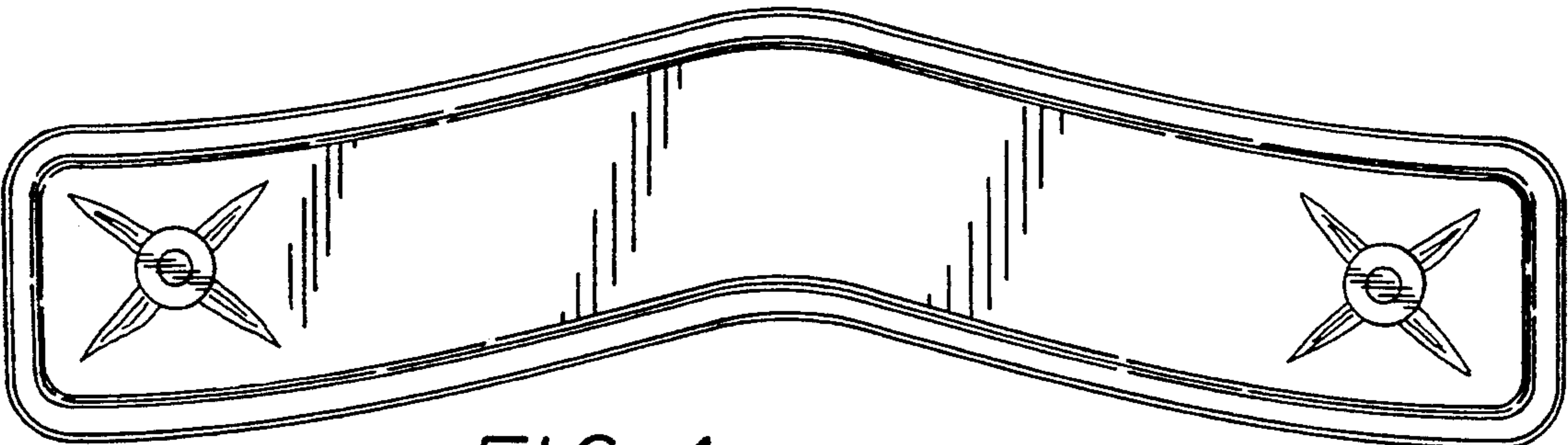
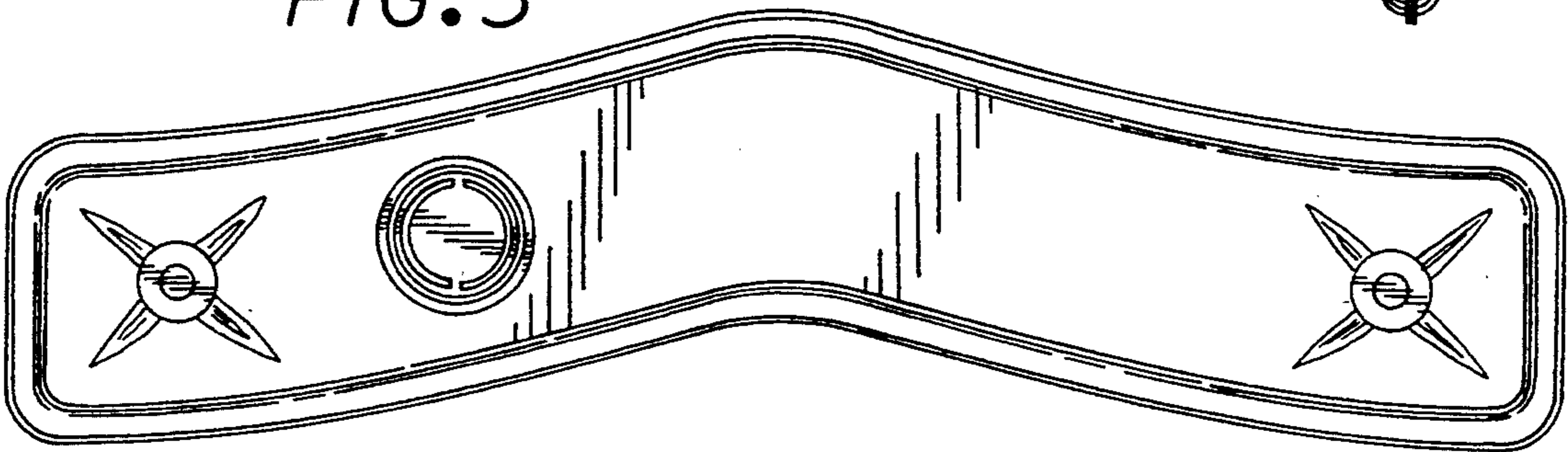


FIG. 4

FIG. 5



FIG. 6

