



US00D353891S

United States Patent [19] Wadsworth

[11] Patent Number: **Des. 353,891**

[45] Date of Patent: **** Dec. 27, 1994**

[54] **PORTABLE FOLDING TUB**

4,546,505 10/1985 Wakenshaw 4/585 X

[76] Inventor: **A. Earl Wadsworth**, 6987 N. Fifth W., Idaho Falls, Id. 83401

FOREIGN PATENT DOCUMENTS

21920 of 1909 United Kingdom 4/585

[**] Term: **14 Years**

Primary Examiner—Stella Reid

[21] Appl. No.: **5,444**

Attorney, Agent, or Firm—Hopkins, Roden, Crockett, Hansen & Hoopes

[22] Filed: **Mar. 5, 1993**

[57] CLAIM

Related U.S. Application Data

The ornamental design for a portable folding tub, as shown and described.

[63] Continuation-in-part of Ser. No. 601,053, Oct. 19, 1990, abandoned.

DESCRIPTION

[52] U.S. Cl. **D24/204**

[58] Field of Search 4/587, 588, 585; D24/204, 205, 201; D25/2; D23/277, 278, 280

FIG. 1 is a front elevation of a portable hot tub showing my new design, the back elevation being a mirror image;

FIG. 2 is a top plan view thereof;

FIG. 3 is a side elevation thereof; and,

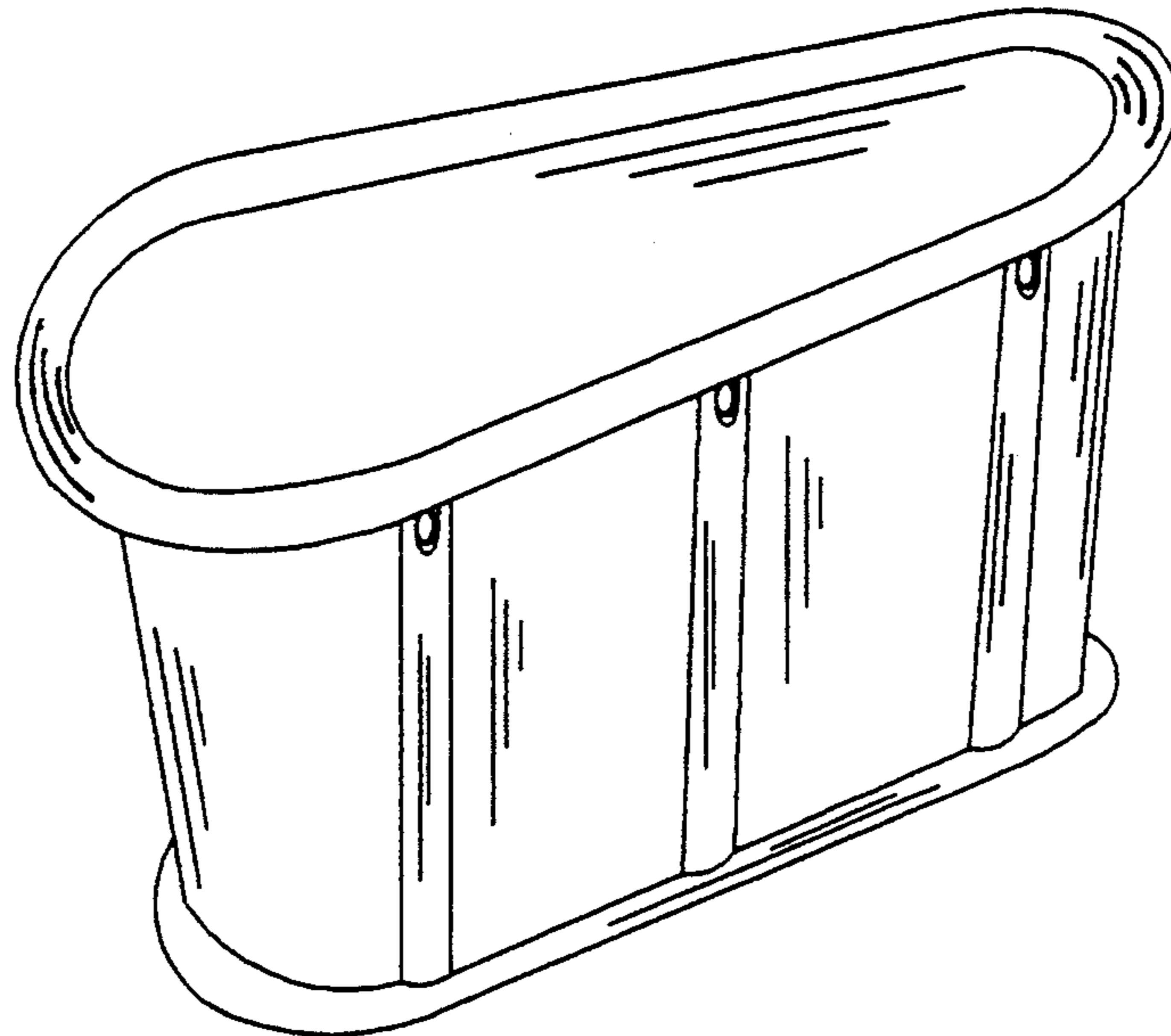
FIG. 4 is a perspective view thereof.

[56] References Cited

U.S. PATENT DOCUMENTS

23,583 8/1894 Scott D23/277
3,066,312 12/1962 Reavis 4/585

The bottom of the portable folding tub is plain and unornamented.



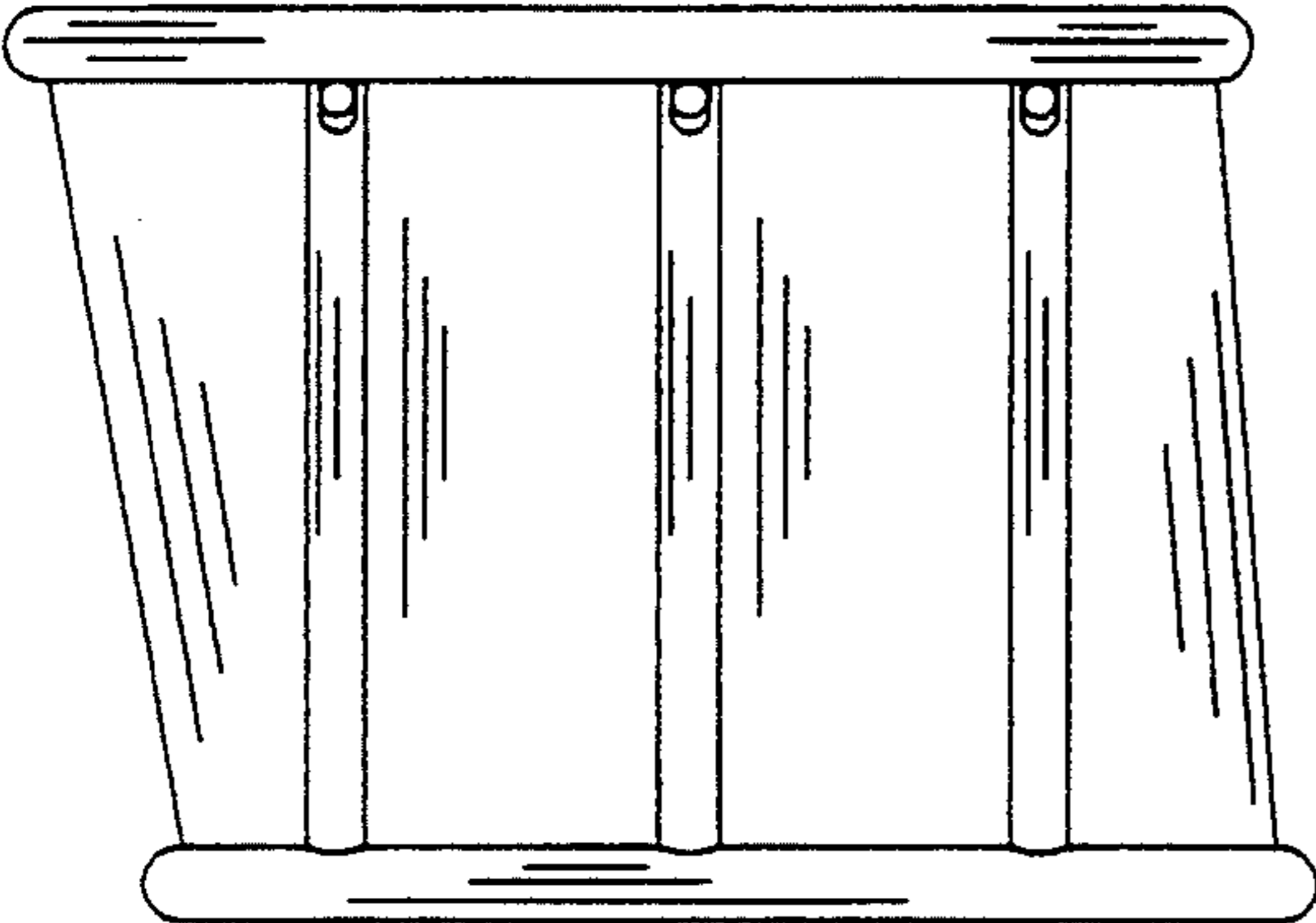


FIGURE 1

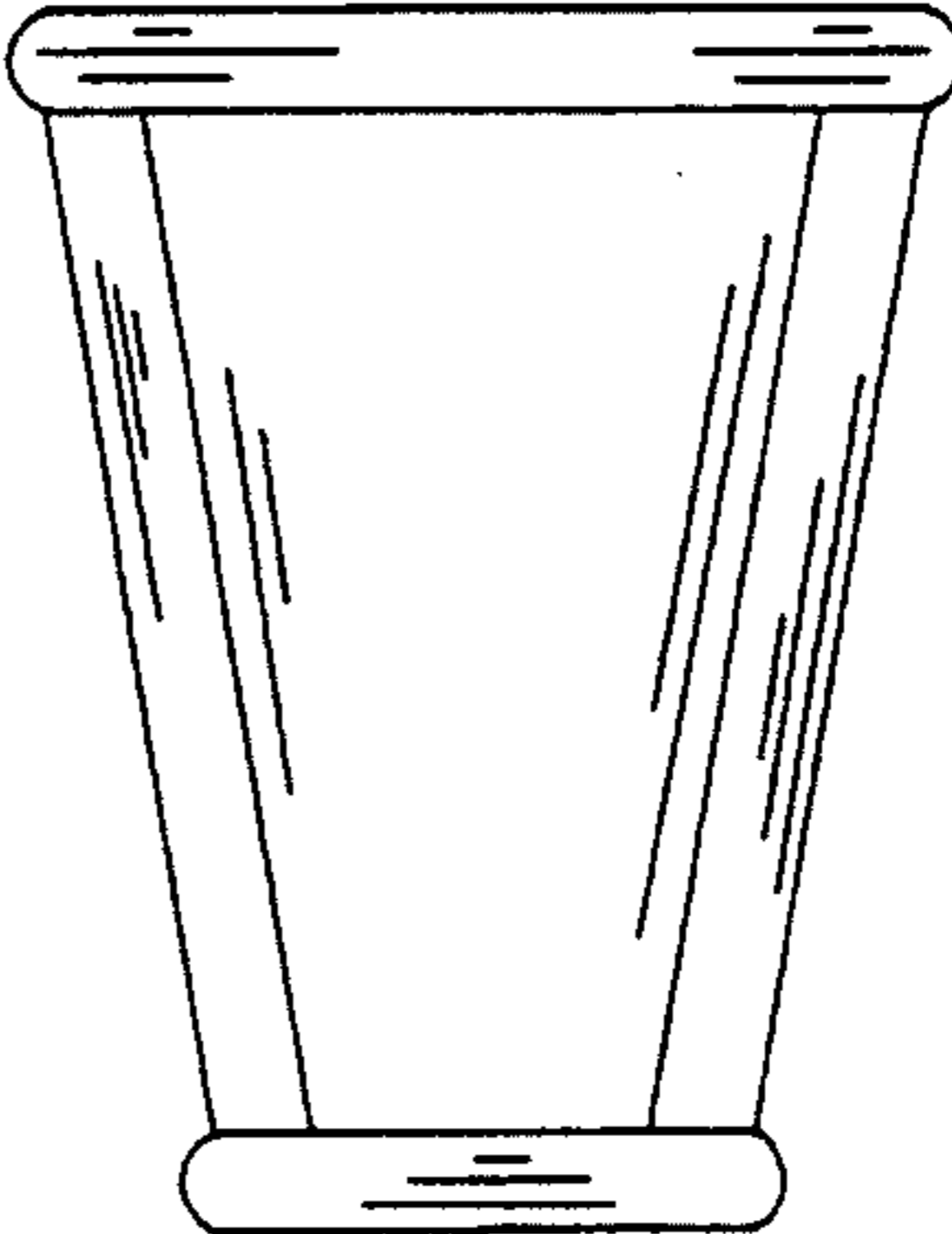


FIGURE 3

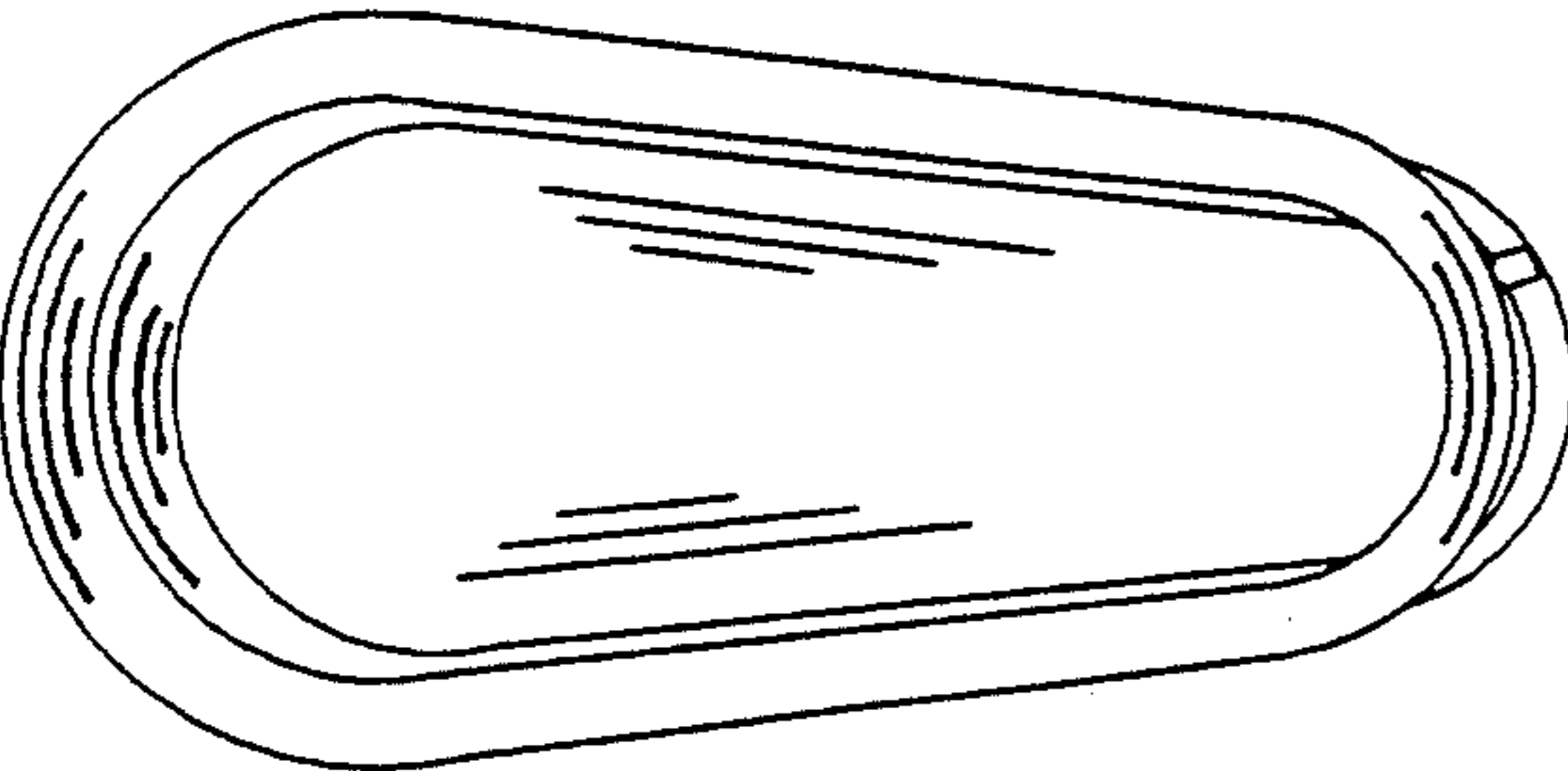


FIGURE 2

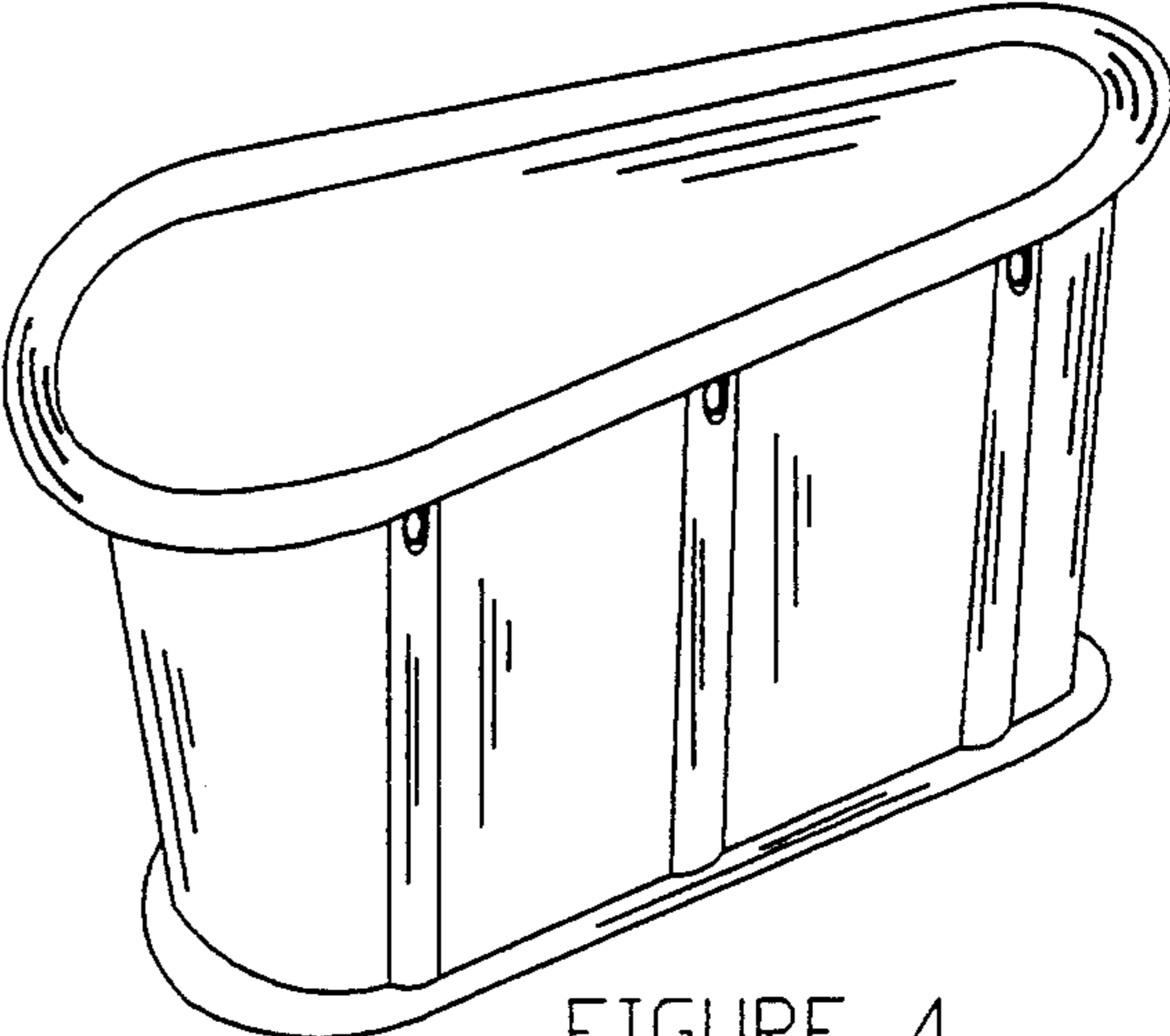


FIGURE 4