



US00D353889S

United States Patent [19]

[11] Patent Number: **Des. 353,889**

Erickson et al.

[45] Date of Patent: **** Dec. 27, 1994**

[54] **IMPLANTABLE TISSUE GROWTH STIMULATOR**

[75] Inventors: **John H. Erickson, Plano; John C. Tepper, Carrollton; Glenn Jacobs, Flower Mound, all of Tex.**

[73] Assignee: **AMEI Technologies Inc., Wilmington, Del.**

[**] Term: **14 Years**

[21] Appl. No.: **4,975**

[22] Filed: **Feb. 17, 1993**

[52] U.S. Cl. **D24/155**

[58] Field of Search **D8/1; D24/155; 47/1.01, 47/1.5, 1.7, 62, 48.5, 57; 607/51-52.5, 27; 602/2**

[56] **References Cited**

U.S. PATENT DOCUMENTS

D. 320,659	10/1991	Johansson et al.	D24/155
2,067,589	1/1937	Antrim	47/48.5 X
2,298,232	10/1942	Remund	47/48.5
3,702,755	11/1972	Palmer	47/48.5 X
3,745,995	7/1973	Kraus	602/2
3,881,873	5/1975	Klowden	47/48.5 X
3,892,552	7/1975	Gay, Jr.	47/48.5 X
3,914,900	10/1975	Bigelow et al.	47/48.5 X

3,946,762	3/1976	Green	47/48.5
4,333,469	6/1982	Jeffcoat et al.	607/5
4,344,250	8/1982	Fahlstrom	47/48.5 X
4,414,979	11/1983	Hirshorn et al.	607/51
4,514,865	5/1985	Harris	D24/155 X
4,549,546	10/1985	Kelly et al.	607/51
4,549,547	10/1985	Brighton et al.	607/51
4,602,638	7/1986	Adams	607/52
4,611,597	9/1986	Kraus	607/27
4,651,468	3/1987	Martinez et al.	47/48.5 X

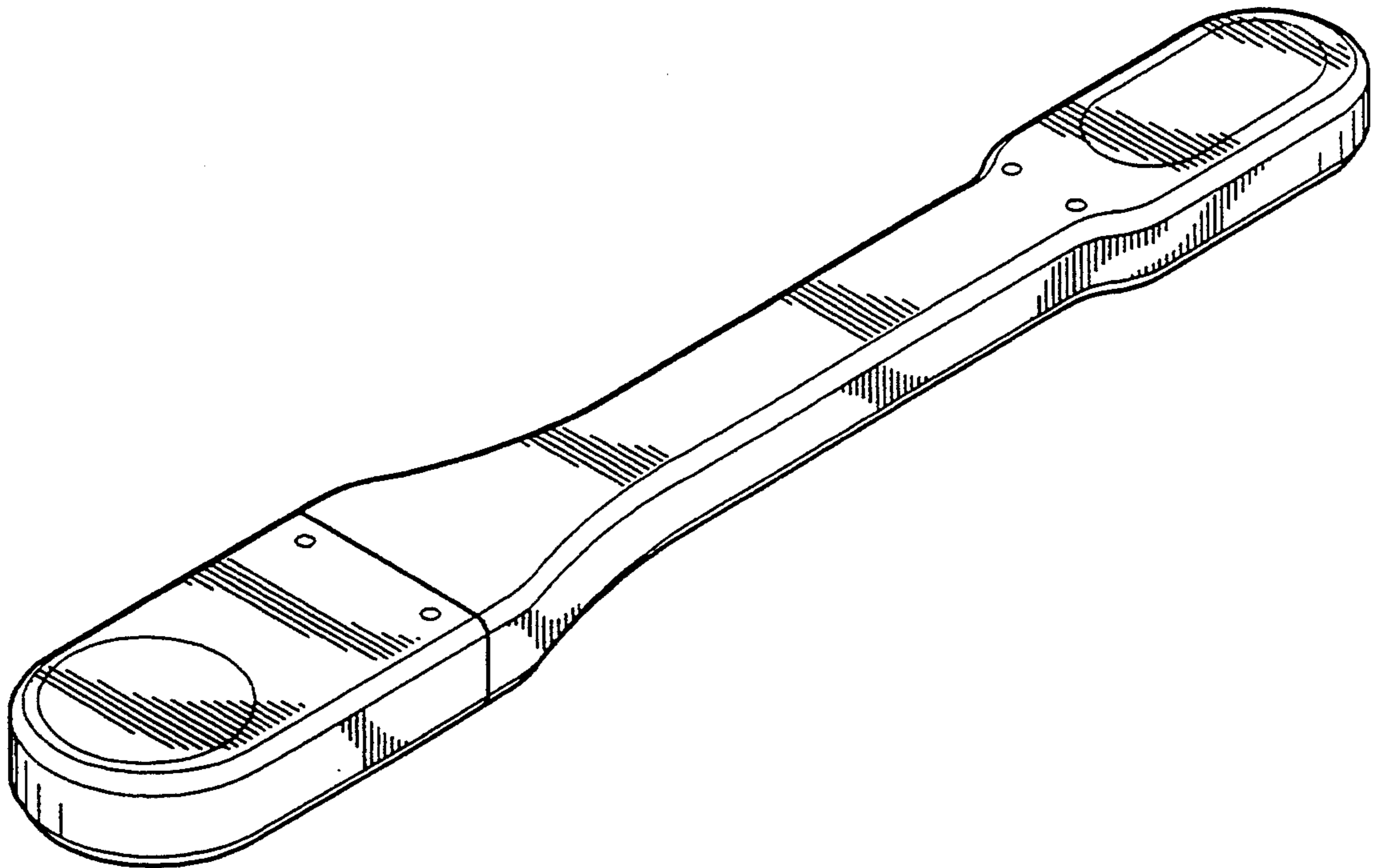
Primary Examiner—Wallace R. Burke
Assistant Examiner—H. Baynham
Attorney, Agent, or Firm—Baker & Botts

[57] **CLAIM**

The ornamental design for a implantable tissue growth stimulator, as shown and described.

DESCRIPTION

FIG. 1 is a perspective view of the implantable tissue growth stimulator showing our new design;
FIG. 2 is a top view thereof;
FIG. 3 is a right side view thereof the left side view being a mirror image thereof;
FIG. 4 is a bottom view thereof;
FIG. 5 is an end view thereof; and,
FIG. 6 is an opposite end view thereof.



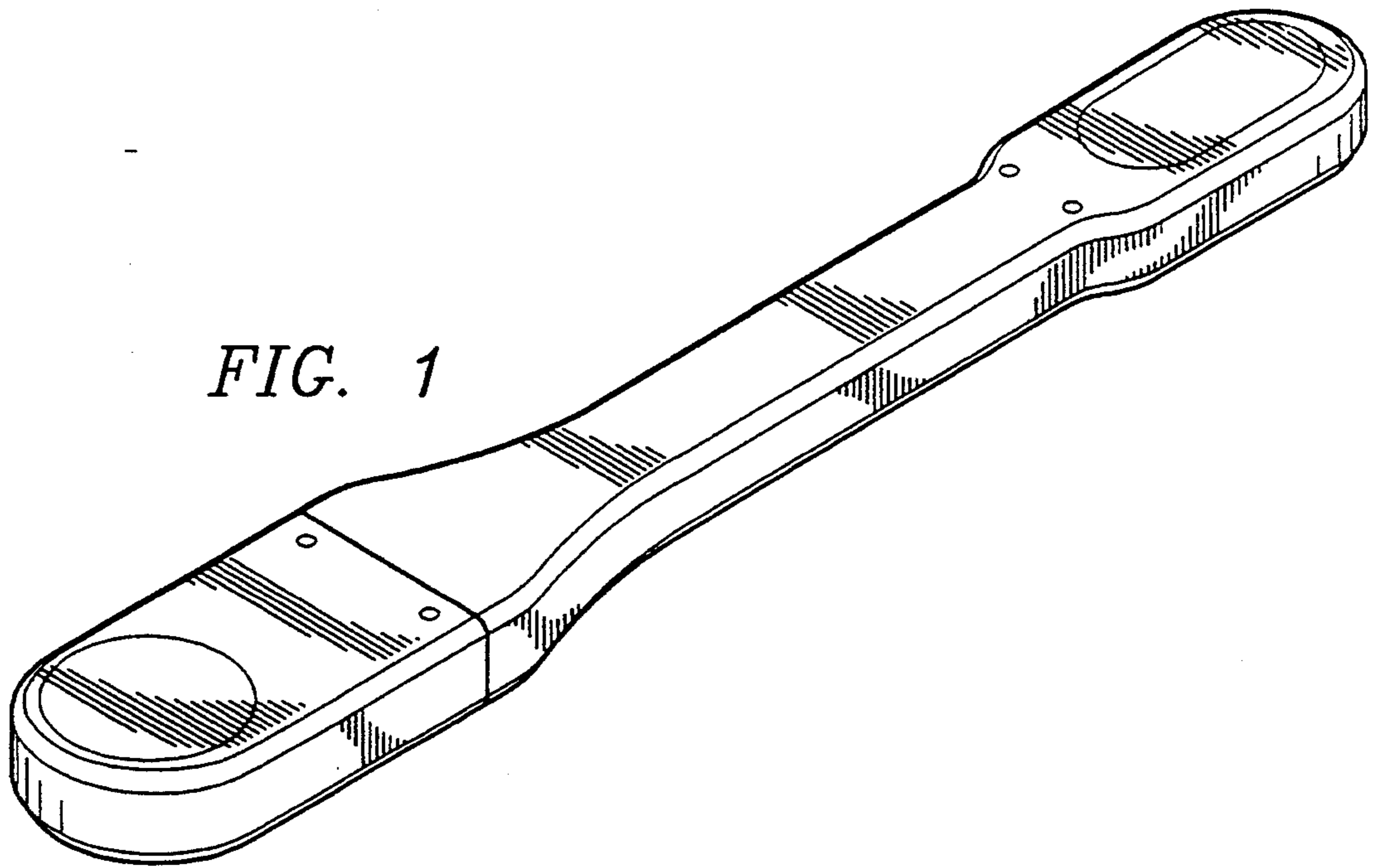


FIG. 1

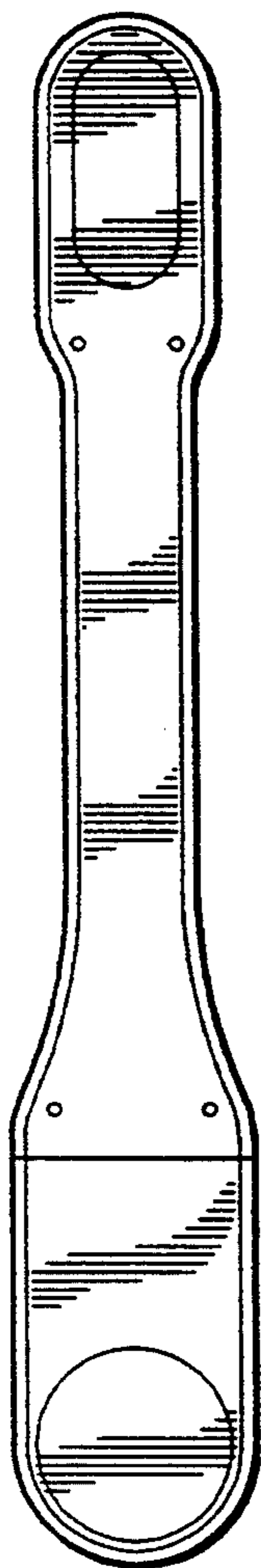


FIG. 2



FIG. 3

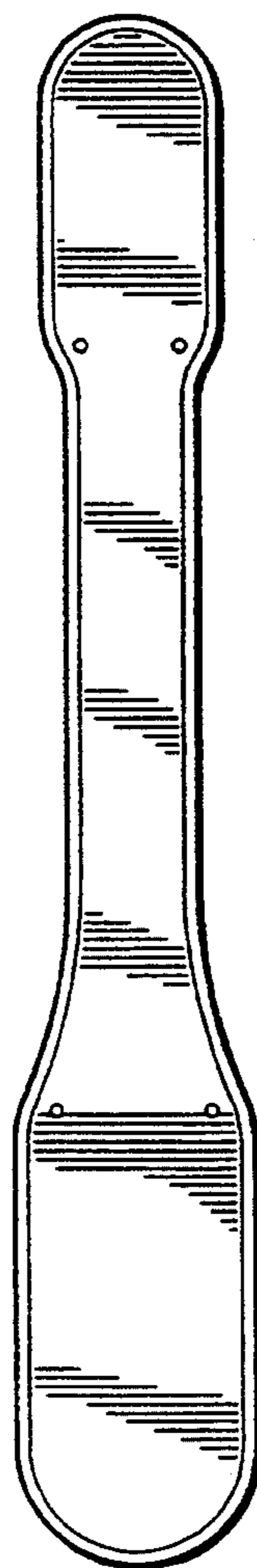


FIG. 4



FIG. 5



FIG. 6