



US00D353888S

United States Patent [19]

[11] Patent Number: **Des. 353,888**

Raines

[45] Date of Patent: **** Dec. 27, 1994**

[54] **SURGICAL SAW**

[75] Inventor: **Aaron T. Raines**, Dallas, Tex.

[73] Assignee: **SurgiQuip, Inc.**, Dallas, Tex.

[**] Term: **14 Years**

[21] Appl. No.: **9,506**

[22] Filed: **Jun. 15, 1993**

[52] U.S. Cl. **D24/146; D8/107**

[58] Field of Search **D24/146, 133; D8/64, D8/68, 66, 107; 606/176, 177, 178, 82, 85, 84**

[56] **References Cited**

U.S. PATENT DOCUMENTS

D. 262,572	1/1982	Rogers	D24/146
D. 325,858	5/1992	Saito et al.	D8/61
D. 325,861	5/1992	Saito et al.	D8/68
D. 329,092	9/1992	Carusillo et al.	D24/146
4,819,334	4/1989	Mongeon	606/178 X
5,263,972	11/1993	Evans et al.	606/176

Primary Examiner—A. Hugo Word

Assistant Examiner—I. Simmons

Attorney, Agent, or Firm—Ross, Howison, Clapp & Korn

[57] **CLAIM**

The ornamental design for surgical saw, as shown and described.

DESCRIPTION

FIG. 1 is a front view of a saw constructed in accordance with the invention;

FIG. 2 is a right side view of the saw;

FIG. 3 is a rear view of the saw;

FIG. 4 is a left side view of the saw;

FIG. 5 is a top view of the saw; and,

FIG. 6 is a bottom view of the saw.

The broken line showing of the power cord in the FIGS. 1 through 6 are for illustrative purposes only and forms no part of the claimed design.

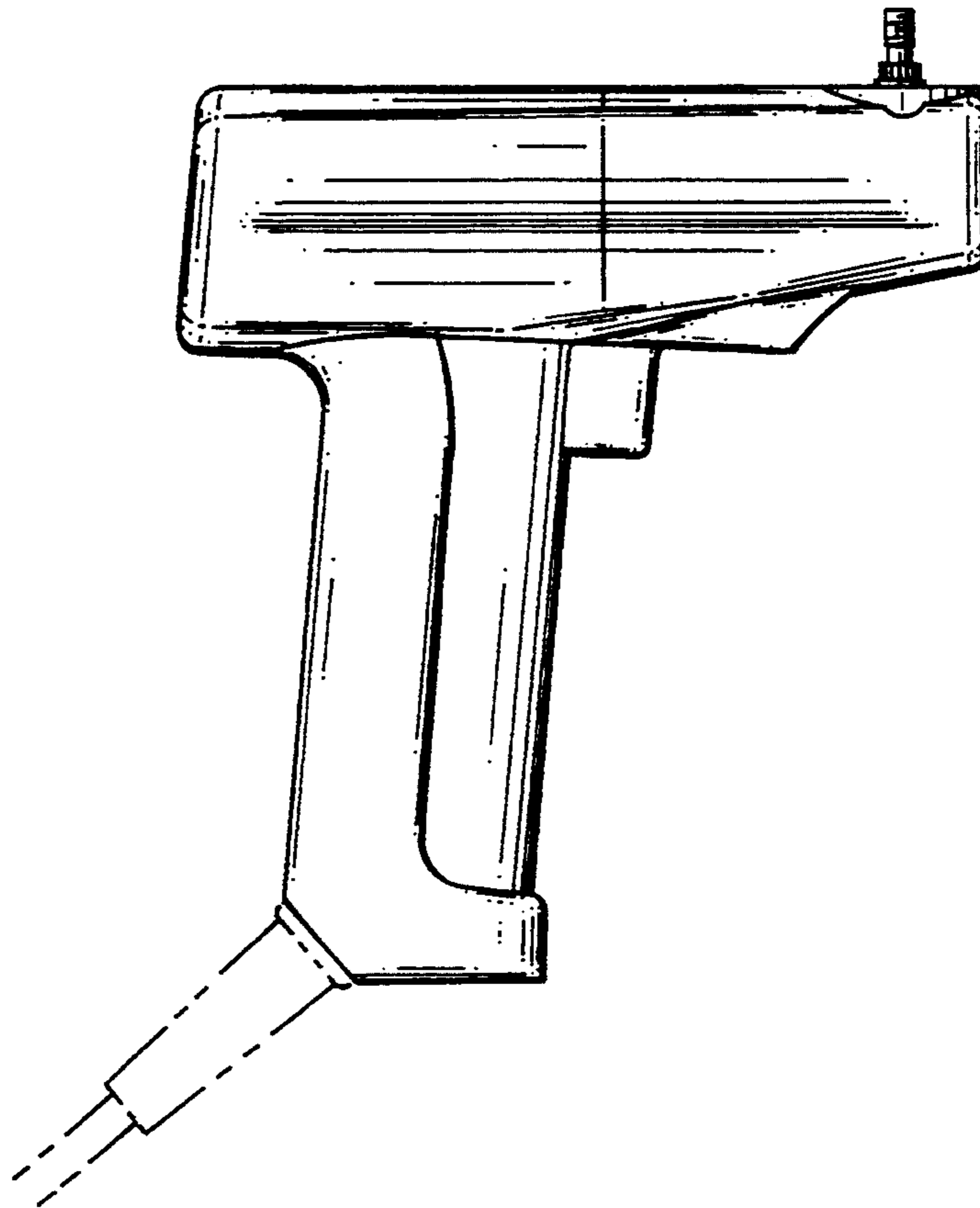


FIG. 1

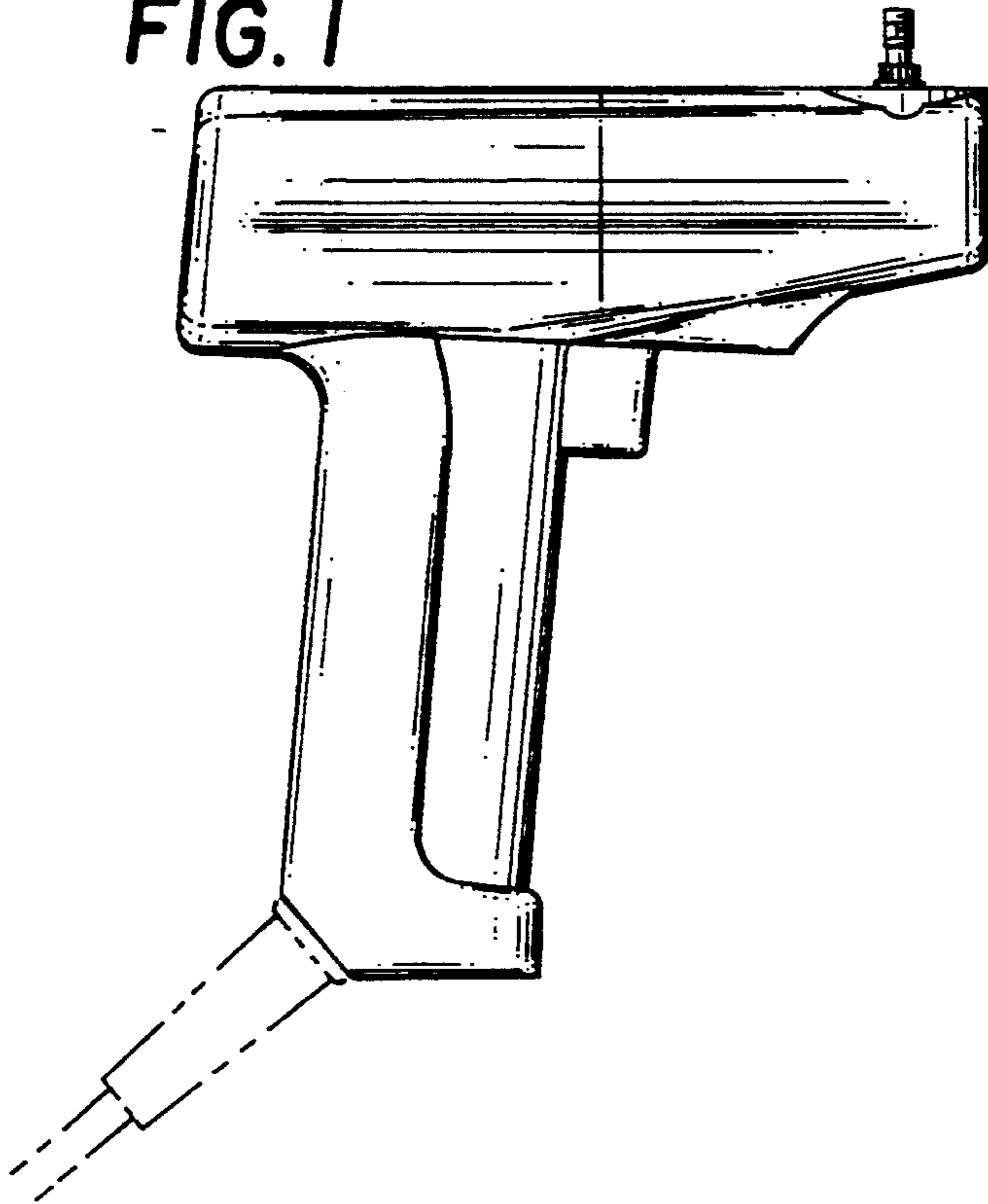


FIG. 2

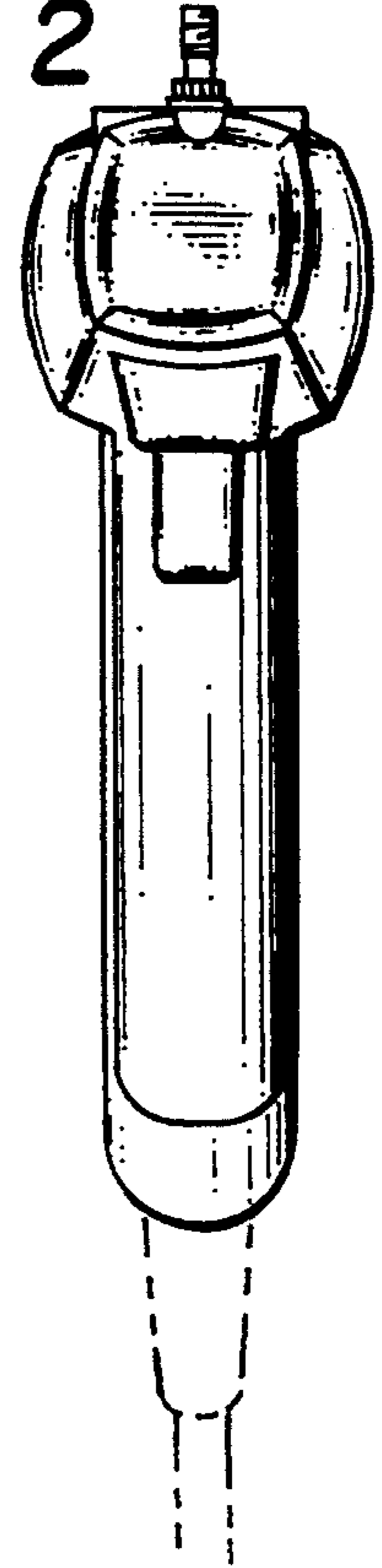


FIG. 3

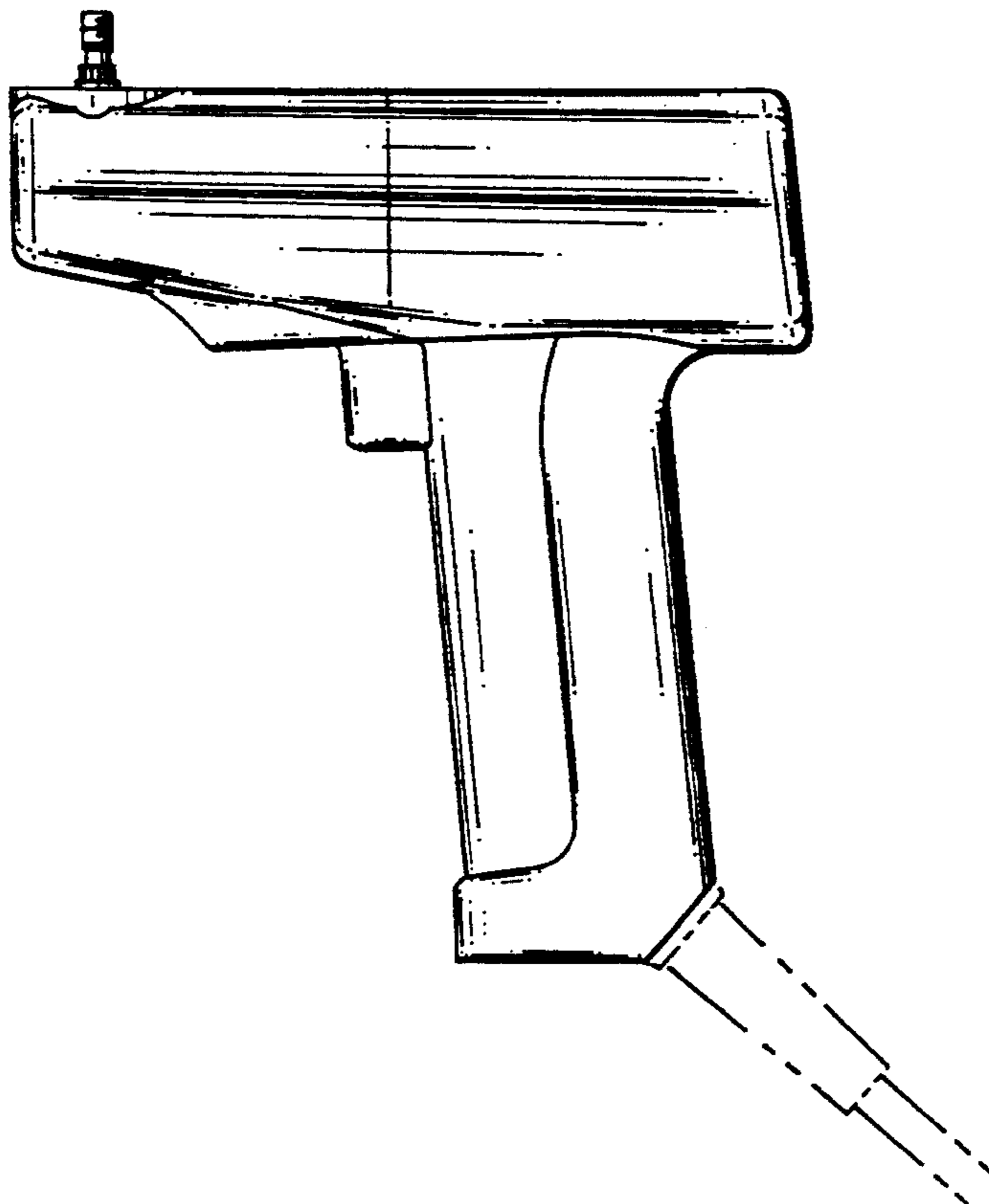


FIG. 4

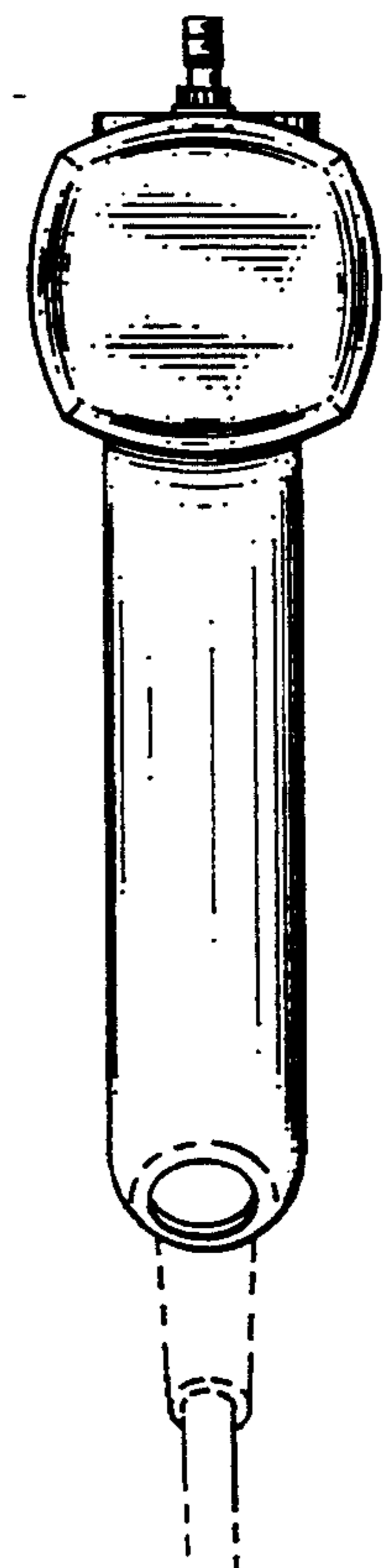


FIG. 5

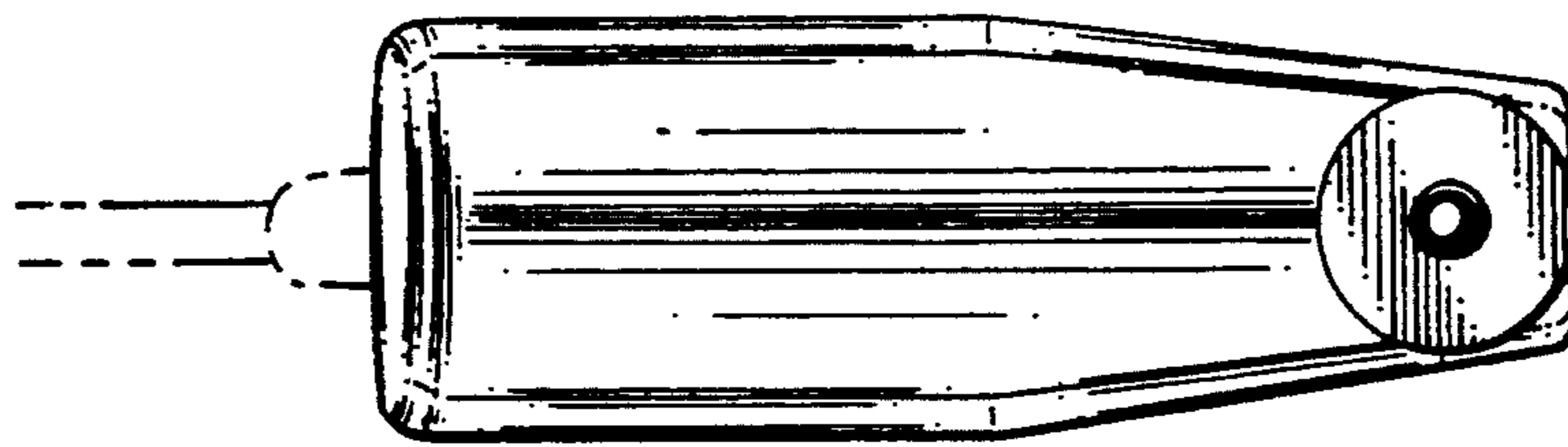


FIG. 6

