



US00D353884S

United States Patent [19]

[11] Patent Number: **Des. 353,884**

Wilkison, III et al.

[45] Date of Patent: **** Dec. 27, 1994**

[54] **AVIARY AIR FILTER**

[76] Inventors: **Ralph C. Wilkison, III**, 1201 Mary St., Apt. A; **Alan W. Jordan**, 4113 W. Louisiana St., both of Evansville, Ind. 47710

[**] Term: **14 Years**

[21] Appl. No.: **9,924**

[22] Filed: **Jun. 24, 1993**

[52] U.S. Cl. **D23/365; D30/119**

[58] Field of Search **D23/365; D30/119; 55/385.2**

[56] **References Cited**

U.S. PATENT DOCUMENTS

4,023,529 5/1977 Landy 55/385.2
5,236,476 8/1993 Klick 55/385.2

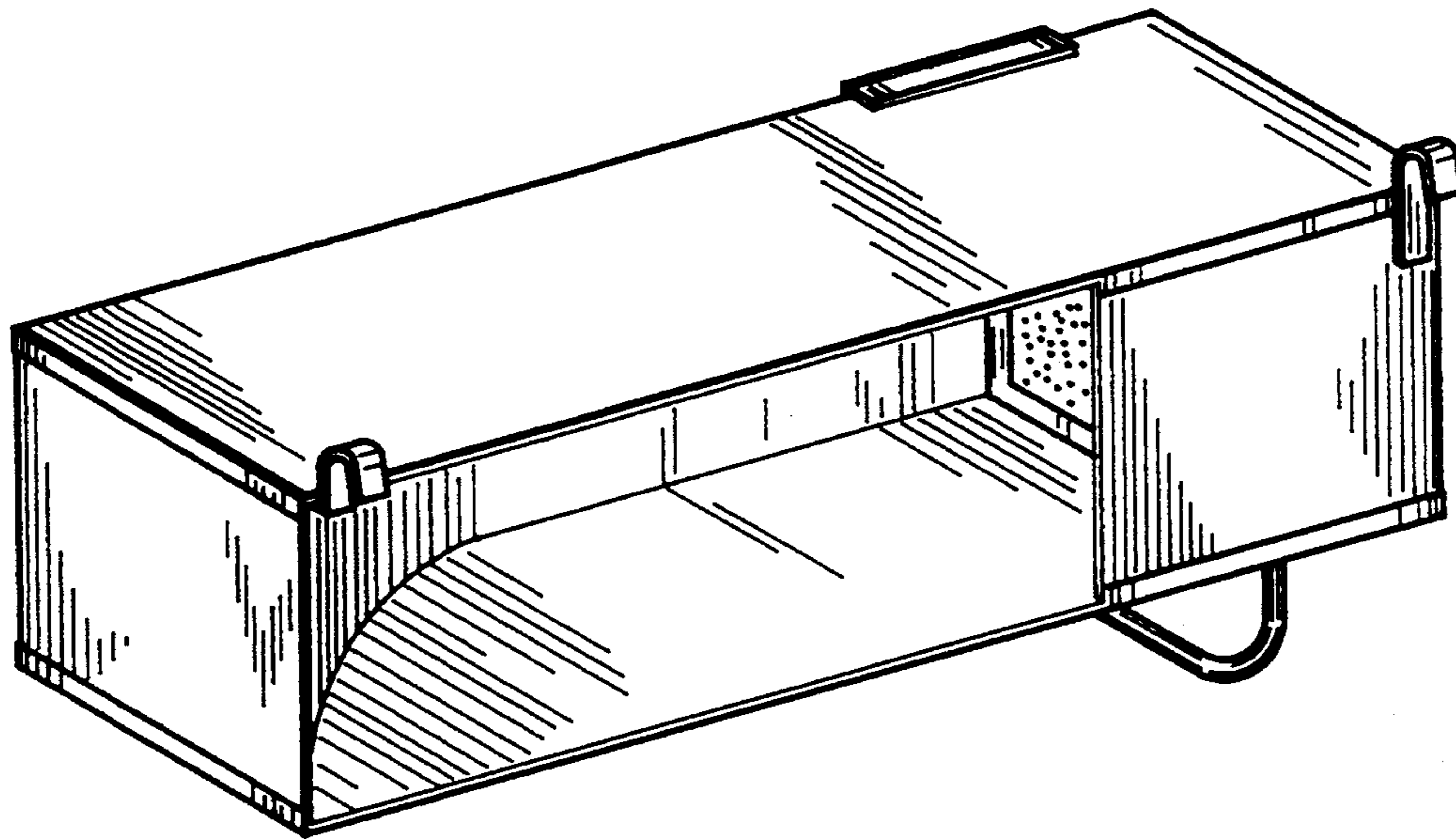
Primary Examiner—Lisa P. Lichtenstein
Attorney, Agent, or Firm—Middleton & Reutlinger

[57] **CLAIM**

The ornamental design for an aviary air filter, as shown and described.

DESCRIPTION

FIG. 1 is a perspective view of an aviary air filter made in accordance with our design;
FIG. 2 is a top plan view thereof;
FIG. 3 is a front elevational view thereof;
FIG. 4 is a bottom plan view thereof;
FIG. 5 is an end elevational view thereof;
FIG. 6 is an opposite end elevational view thereof;
FIG. 7 is a rear elevational view thereof; and,
FIG. 8 is a rear elevational view thereof with the back panel in open position.



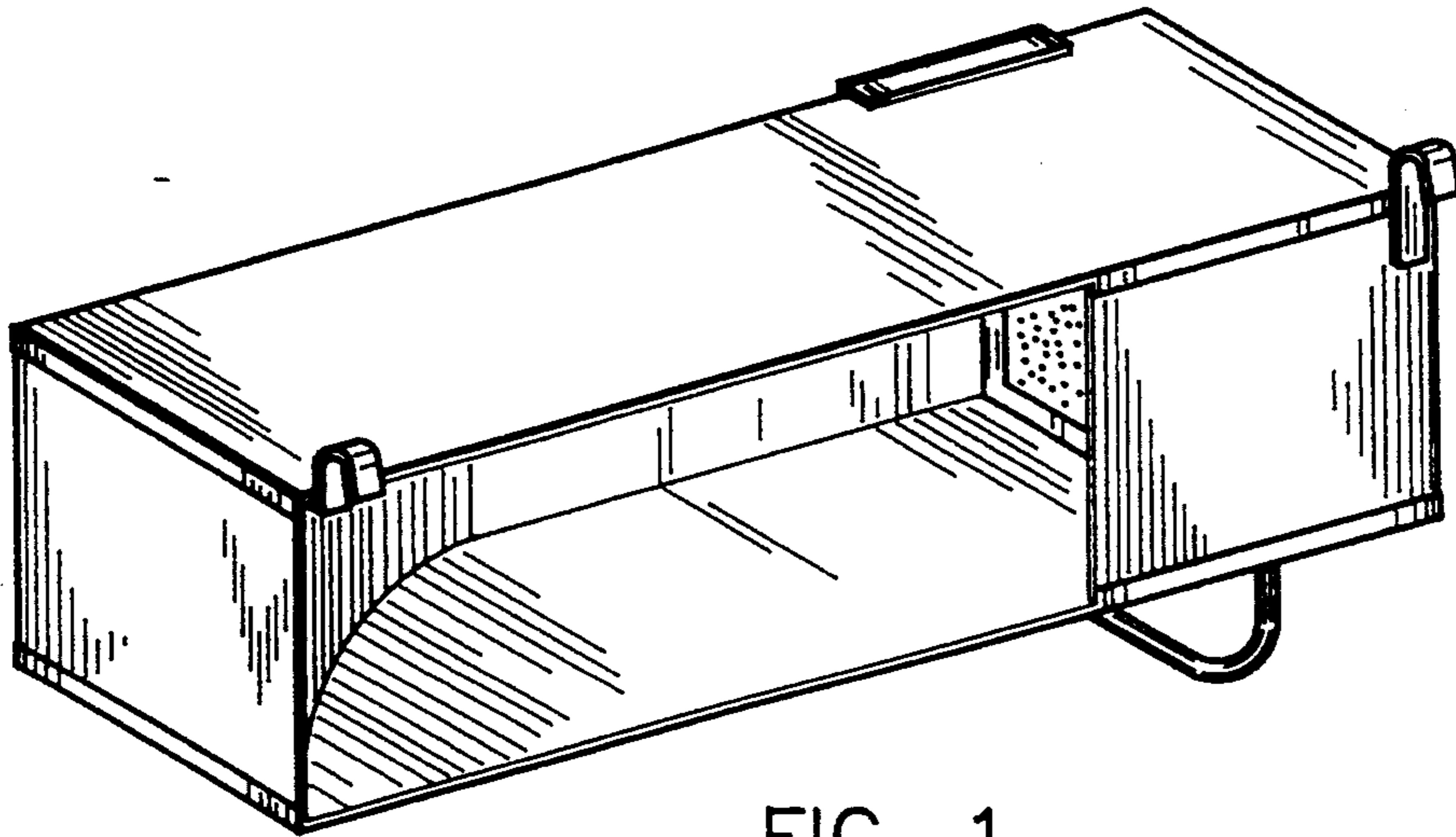


FIG. 1

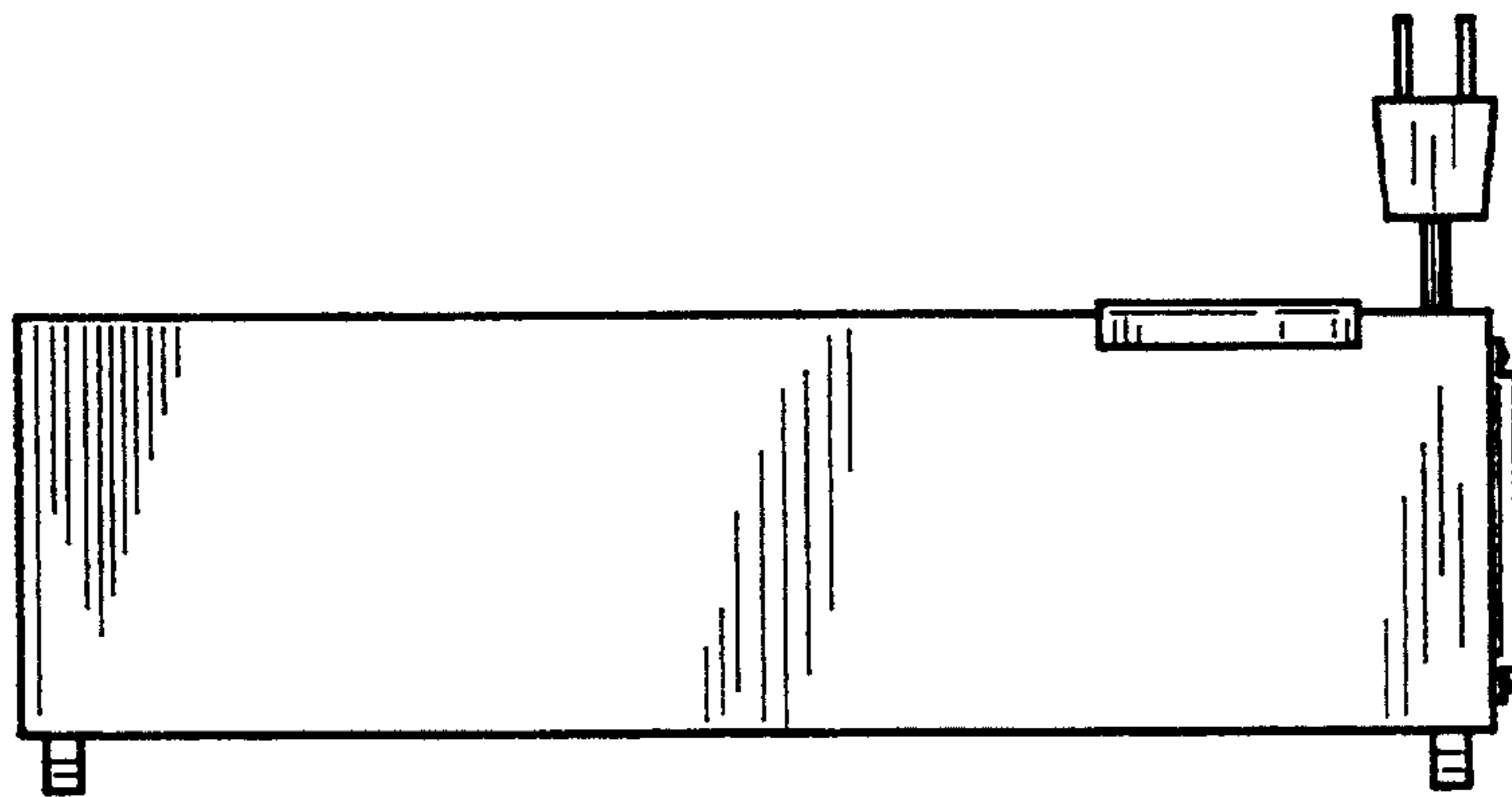


FIG. 2

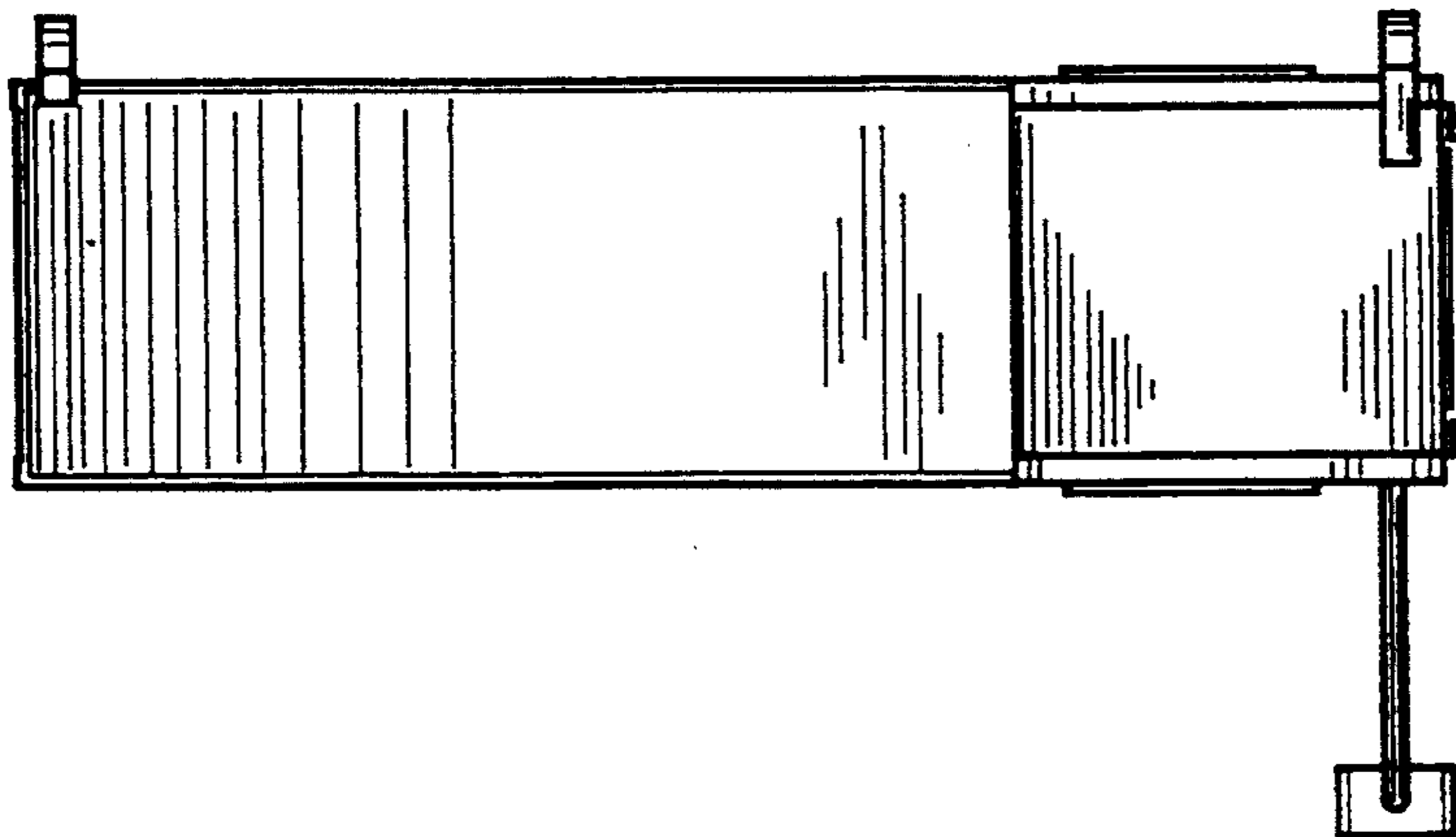


FIG. 3

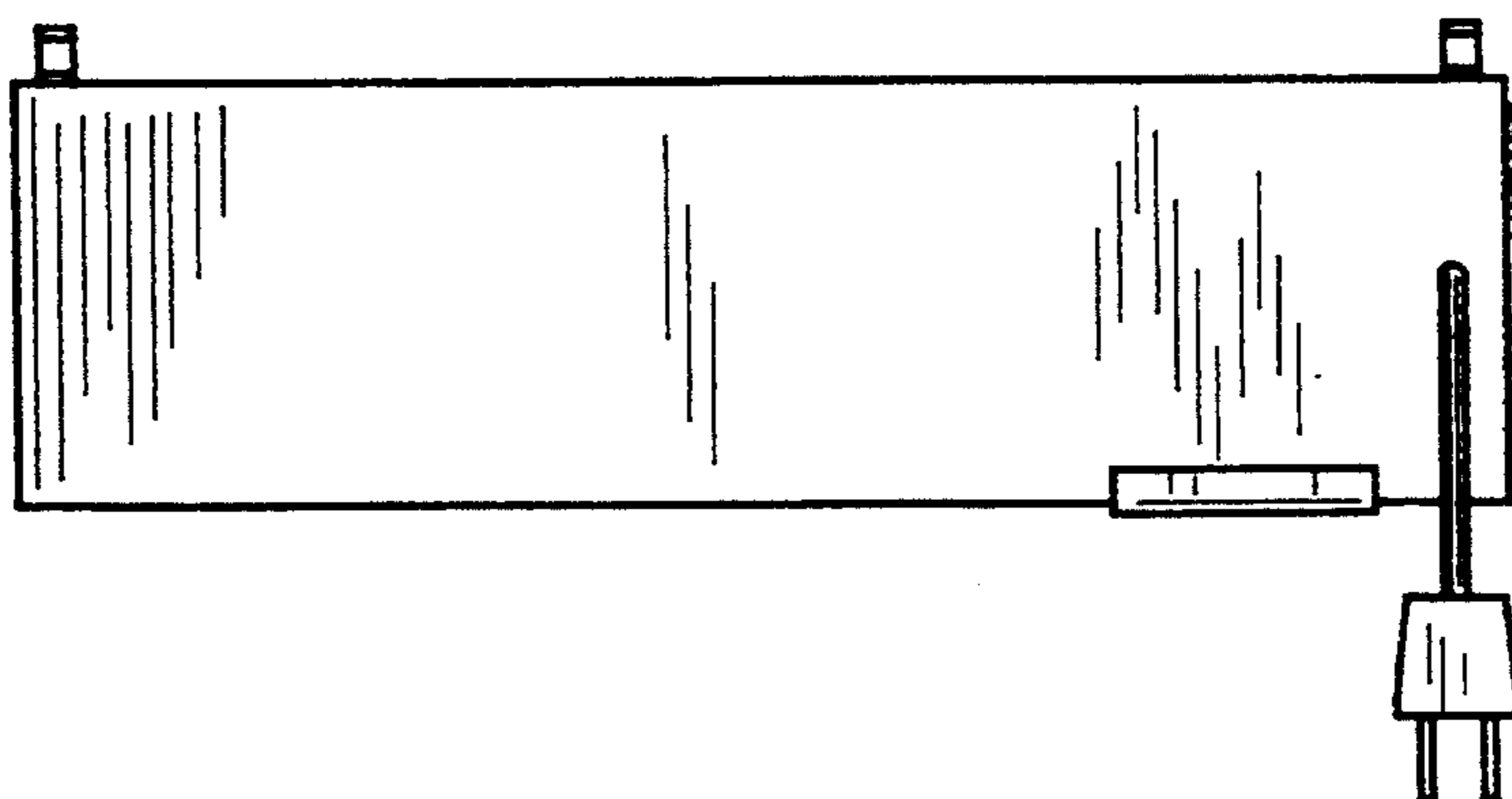


FIG. 4

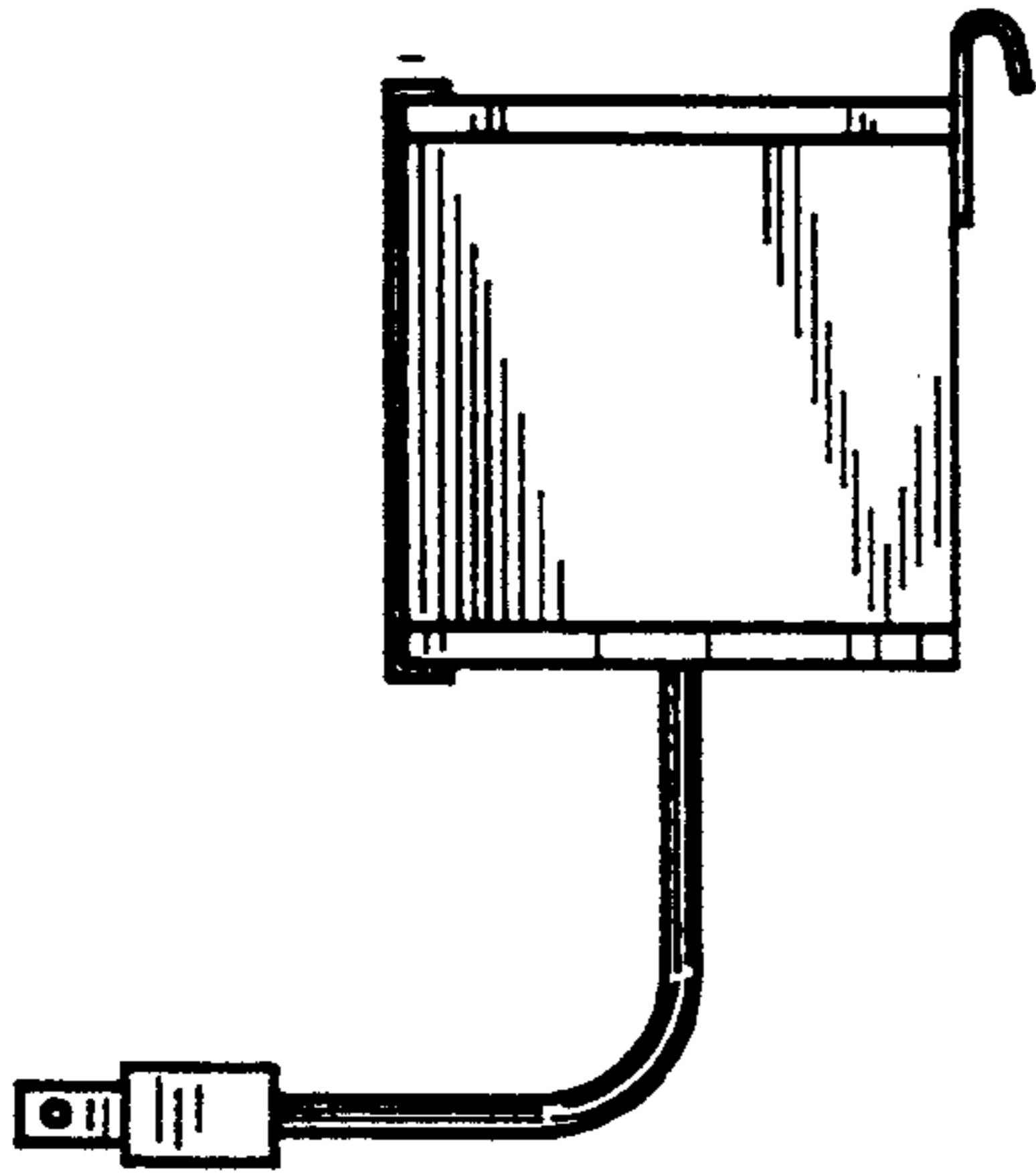


FIG. 5

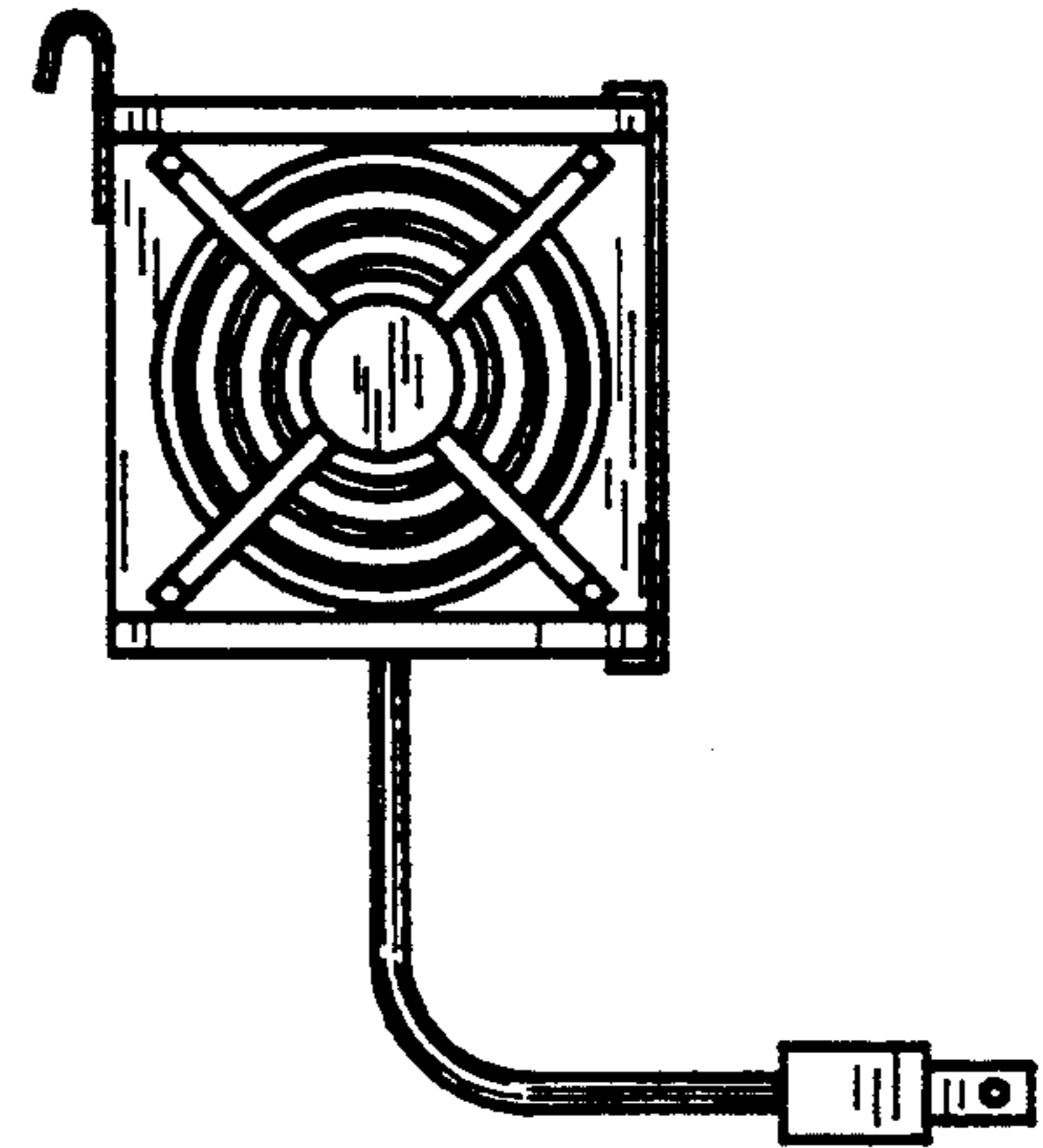


FIG. 6

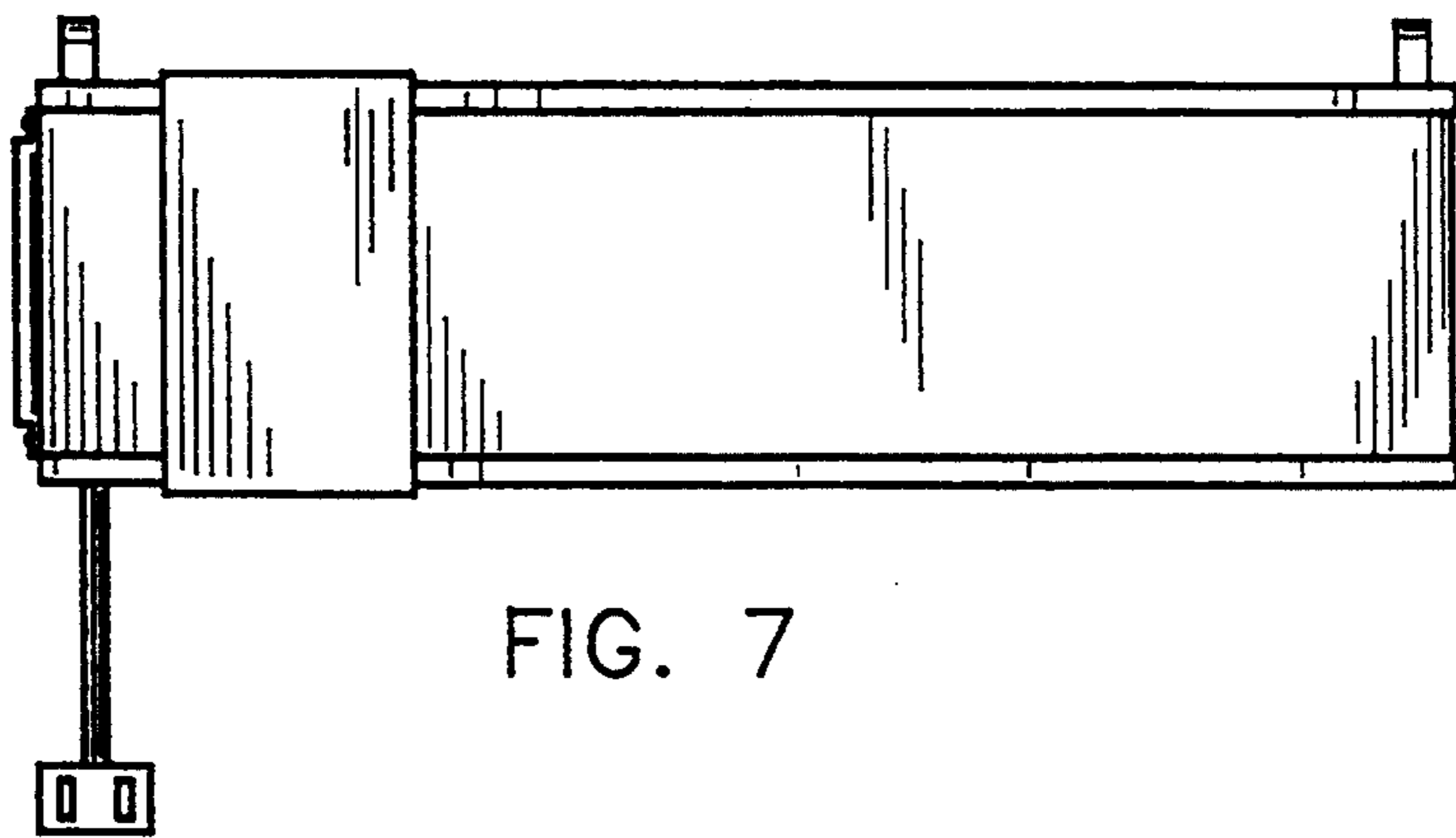


FIG. 7

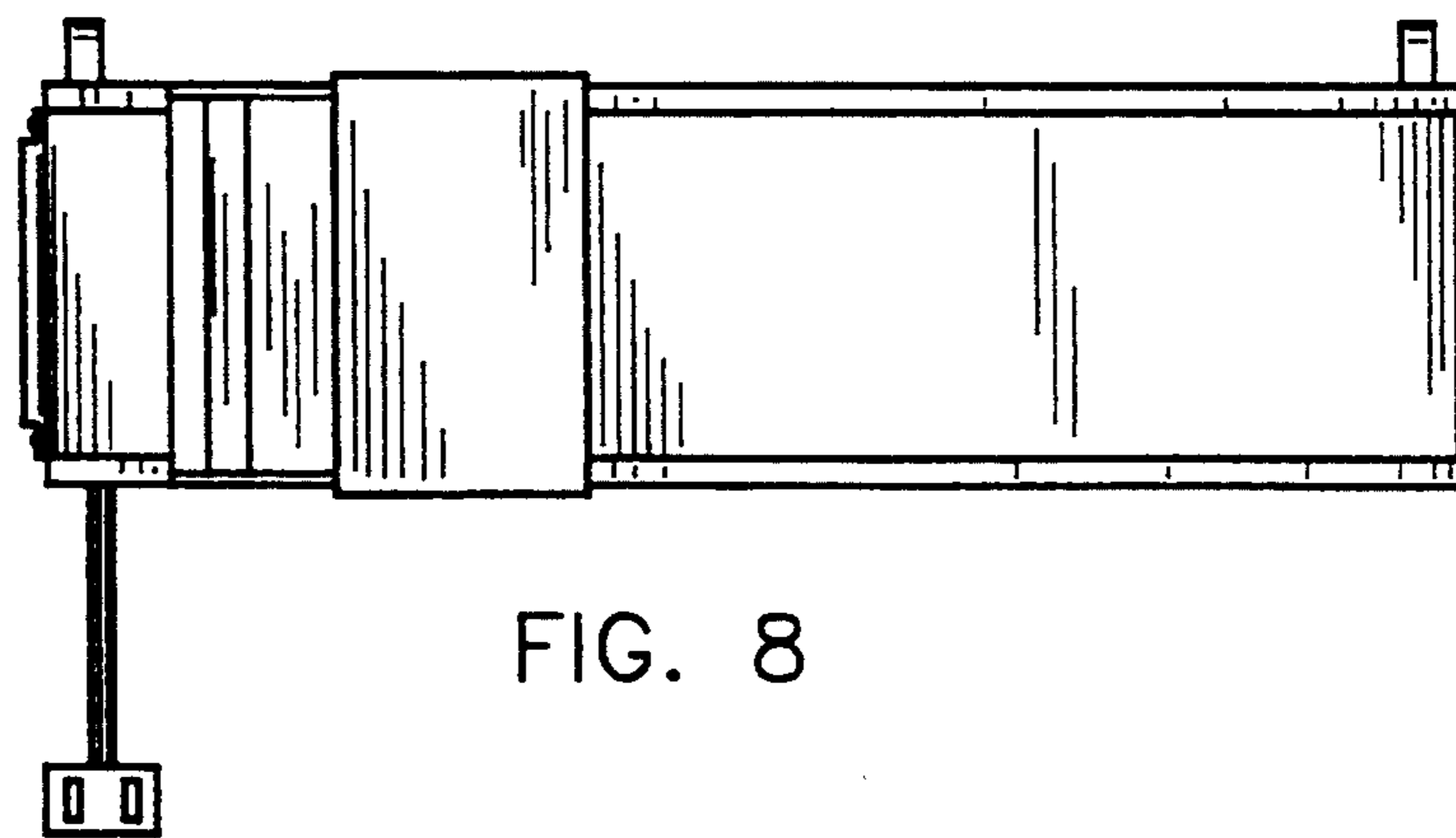


FIG. 8