



US00D353882S

United States Patent [19]

[11] Patent Number: Des. 353,882

Buzby

[45] Date of Patent: ** Dec. 27, 1994

[54] **COMBINED LAVATORY, SOAP HOLDER AND TOWEL RACK**

[75] Inventor: **Linda F. Buzby**, 703 Polo Cir., Bryn Mawr, Pa. 19010

[73] Assignee: **Linda F. Buzby**, Bryn Mawr, Pa.

[**] Term: **14 Years**

[21] Appl. No.: **922,093**

[22] Filed: **Jul. 31, 1992**

[52] U.S. Cl. **D23/271; D23/291; D23/292**

[58] Field of Search **D23/270-275, D23/284-294; 4/619, 630, 639, 640, 642, 643, 644, 646, 647, 648, 650**

[56] **References Cited**

U.S. PATENT DOCUMENTS

D. 37,256	12/1904	Lloyd	D23/292
D. 37,371	3/1905	Lloyd	D23/292
D. 79,449	9/1929	Wolverton	D23/292
D. 194,580	2/1963	Dailey	D23/291
D. 224,308	7/1972	Lauer et al.	D23/291
D. 228,500	10/1973	Ritzenthaler	D23/294

D. 289,792	5/1987	Hardion	D23/292
937,509	10/1909	Carpenter	4/646
998,742	7/1911	Berkeley	4/646 X
1,834,144	12/1931	Coderre et al.	4/646 X
3,018,490	1/1962	Eichorst	4/646

Primary Examiner—James R. Largen

[57] **CLAIM**

The ornamental design for a combined lavatory, soap holder and towel rack, as shown and described.

DESCRIPTION

FIG. 1 is a top front perspective view of a combined lavatory, soap holder and towel rack showing my new design;

FIG. 2 is another top front perspective view thereof;

FIG. 3 is a top plan view thereof;

FIG. 4 is a front elevational view thereof;

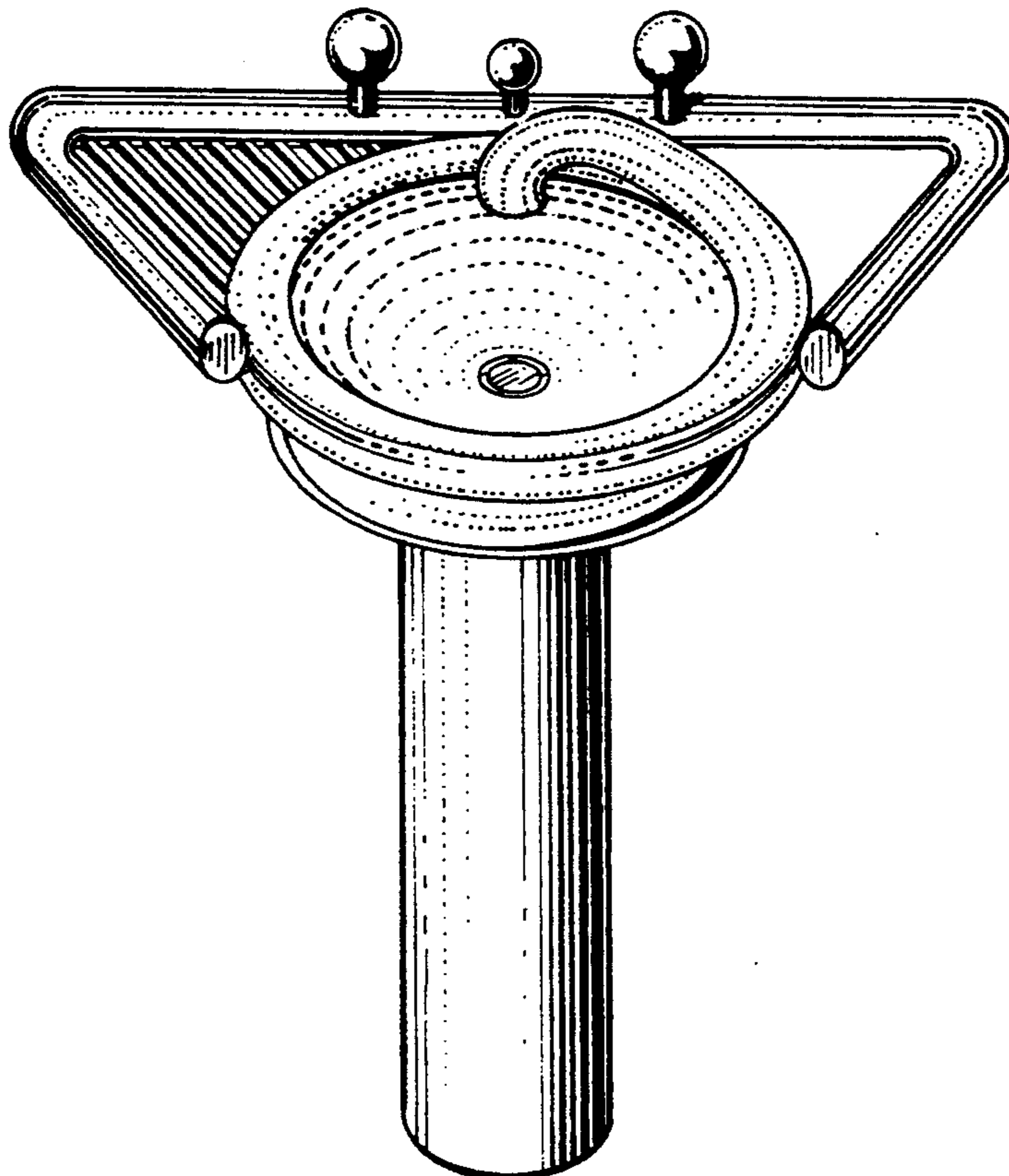
FIG. 5 is a right side elevational view thereof;

FIG. 6 is a left side elevational view thereof;

FIG. 7 is a rear elevational view thereof; and,

FIG. 8 is a bottom plan view thereof.

The broken line representation of a bar of soap and a towel in FIG. 2 is for purposes of illustration only and form no part of the claimed design.



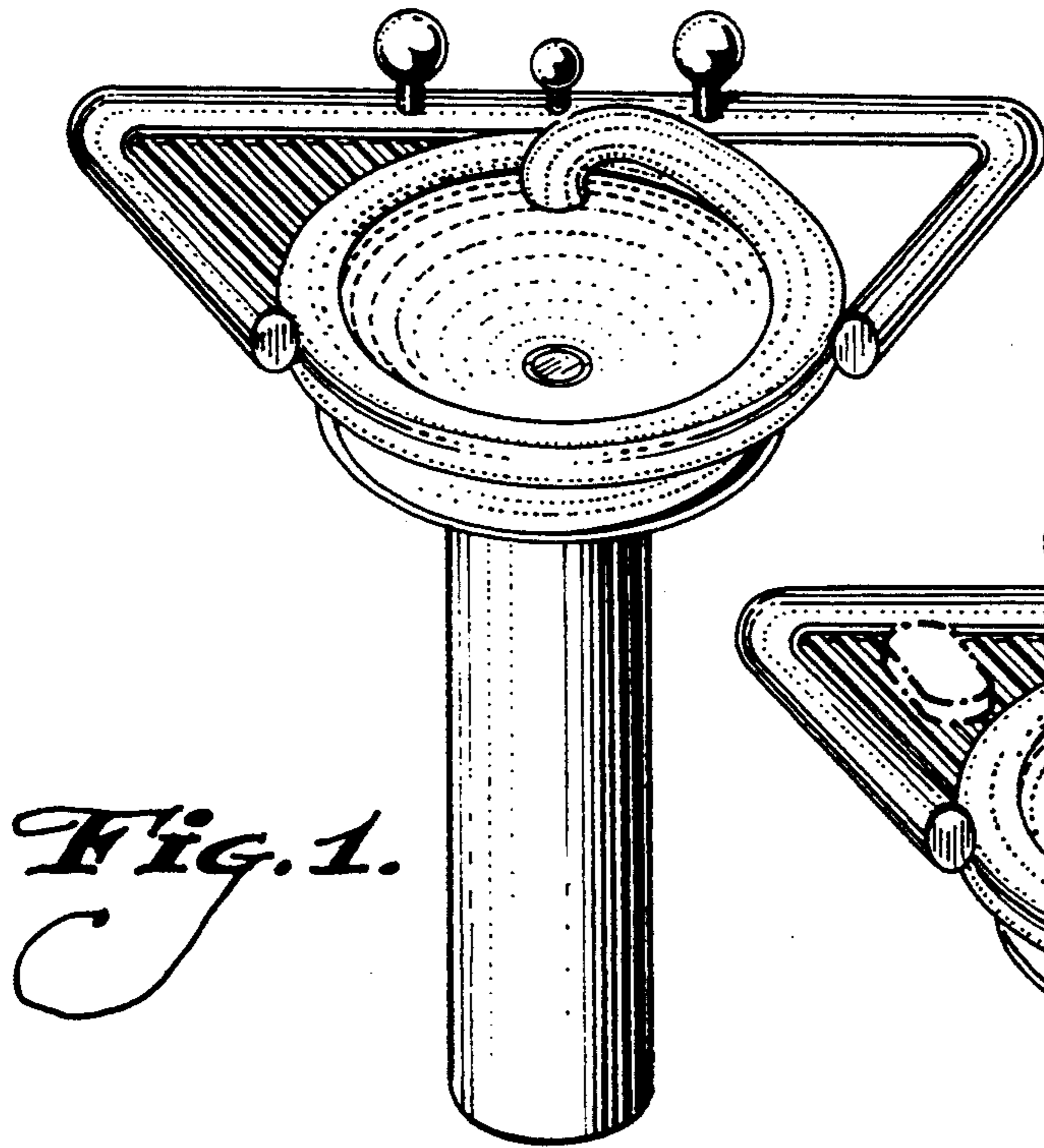


Fig. 1.

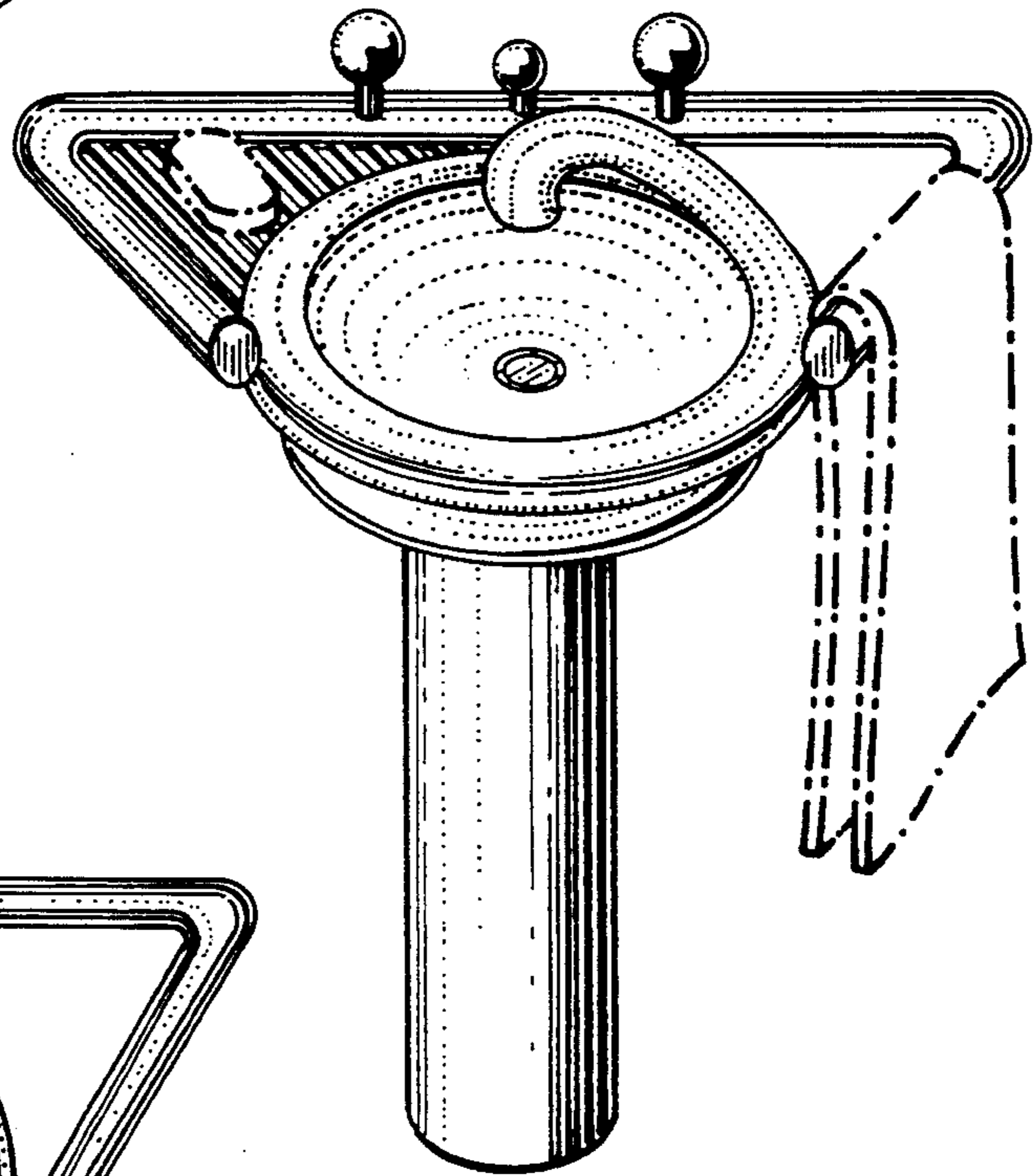


Fig. 2.

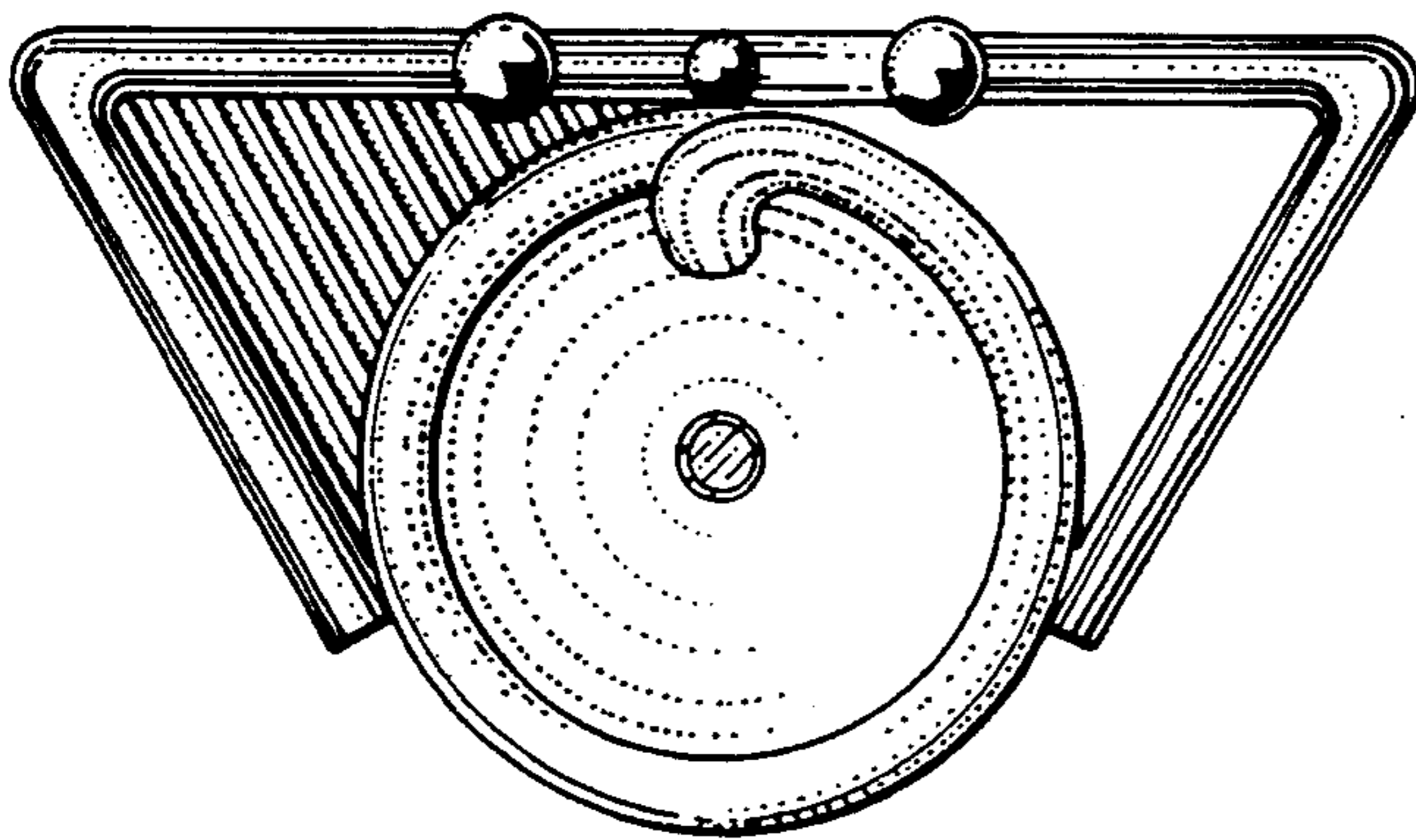


Fig. 3.

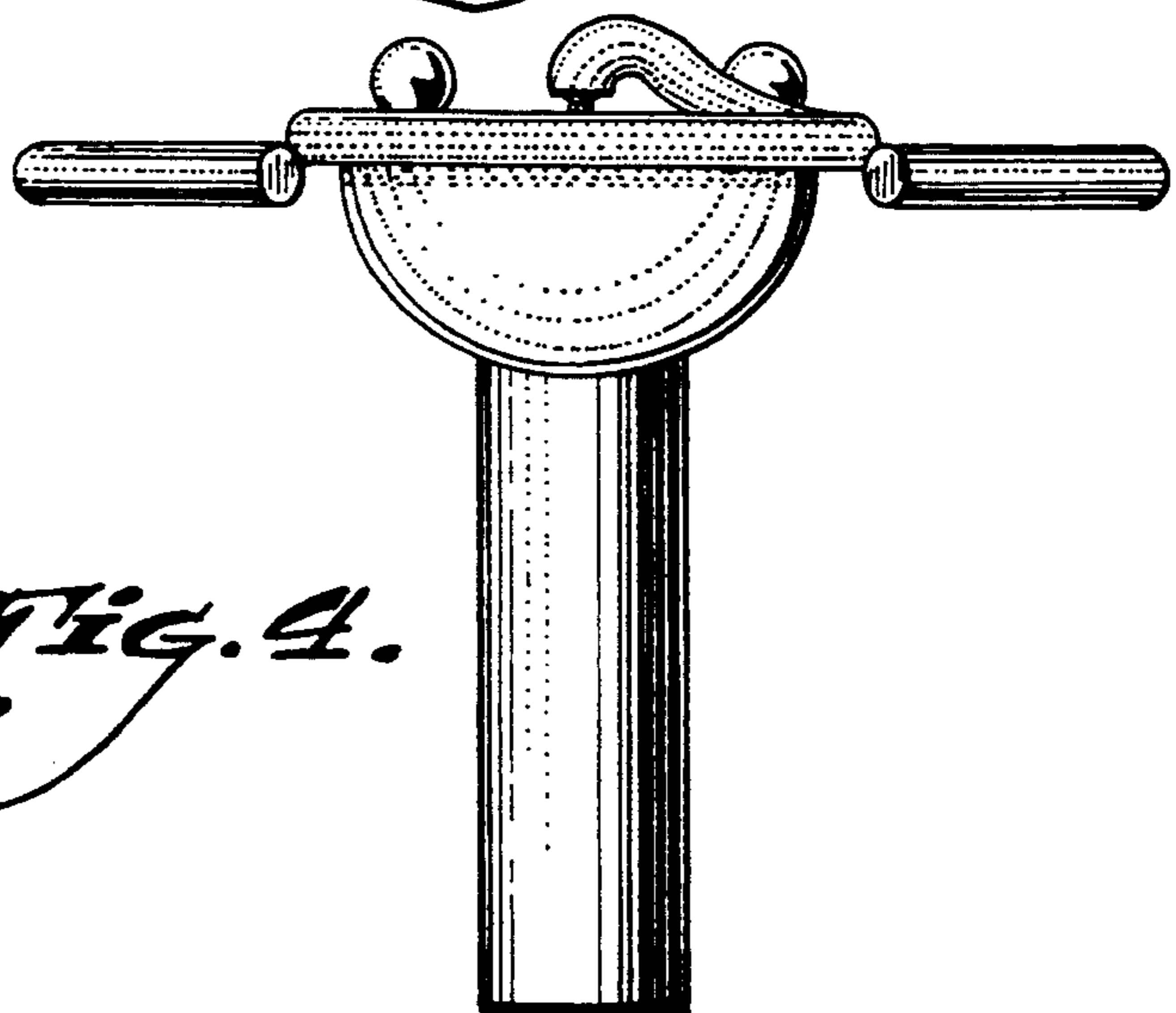


Fig. 4.

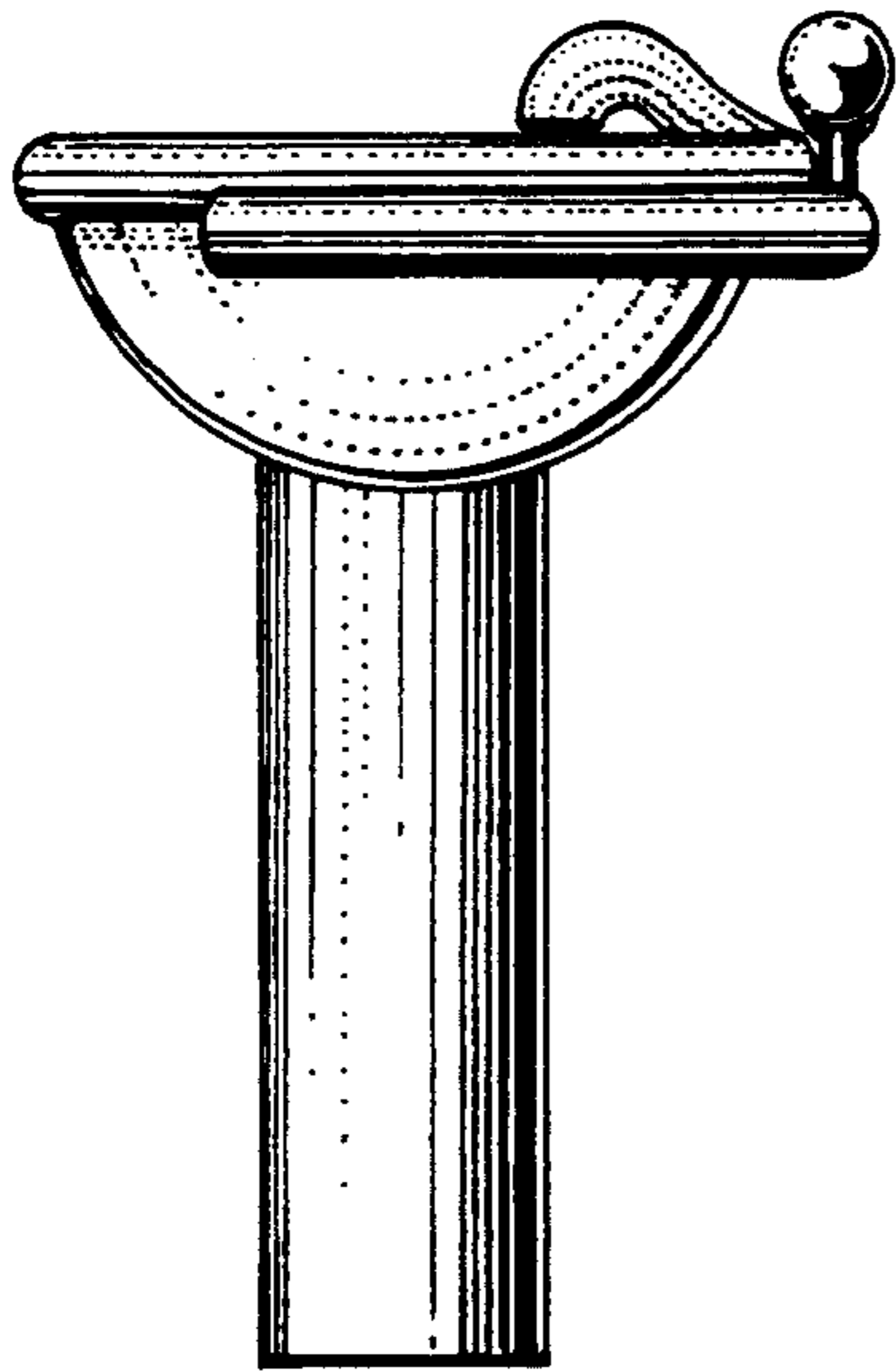


Fig. 5.

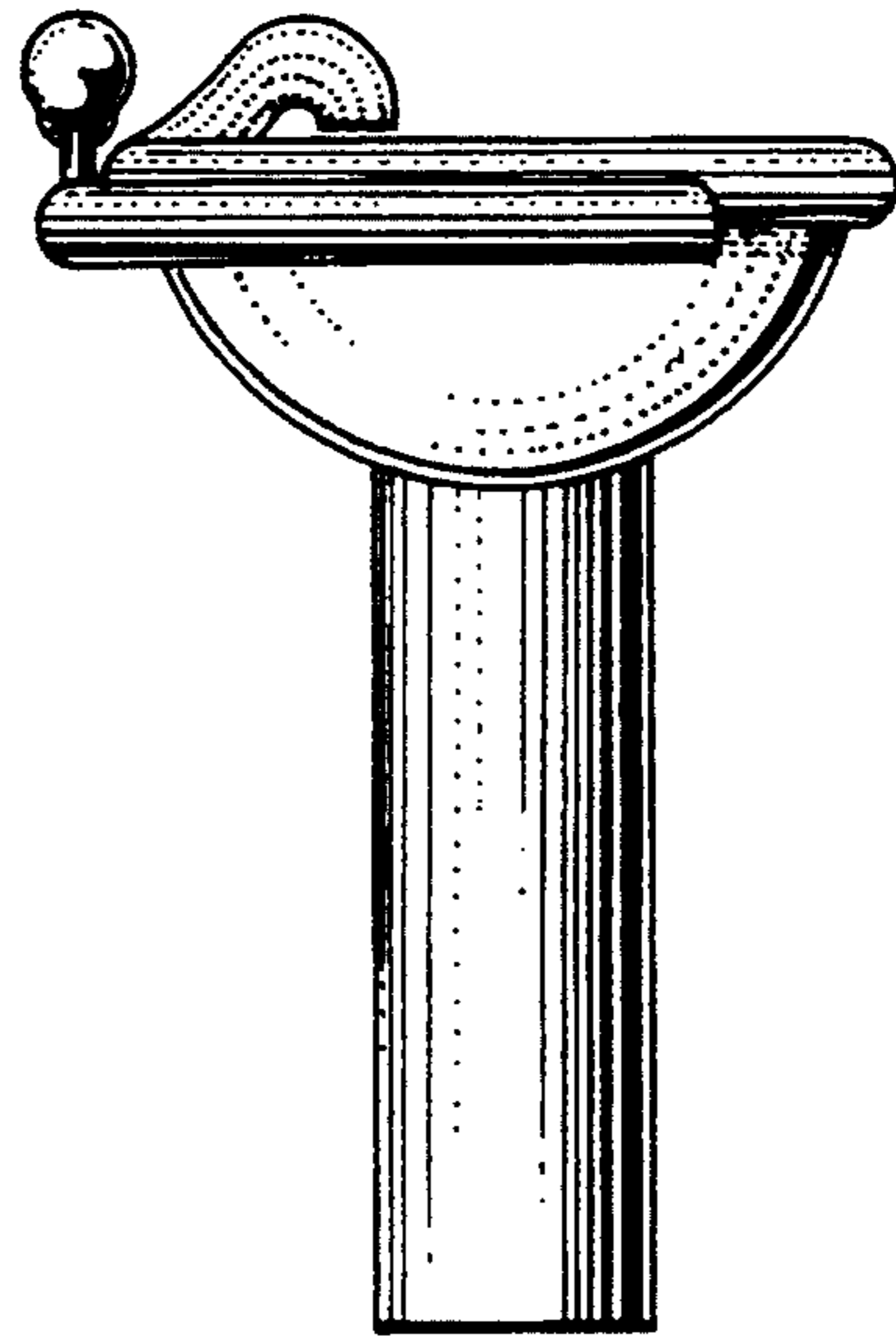


Fig. 6.

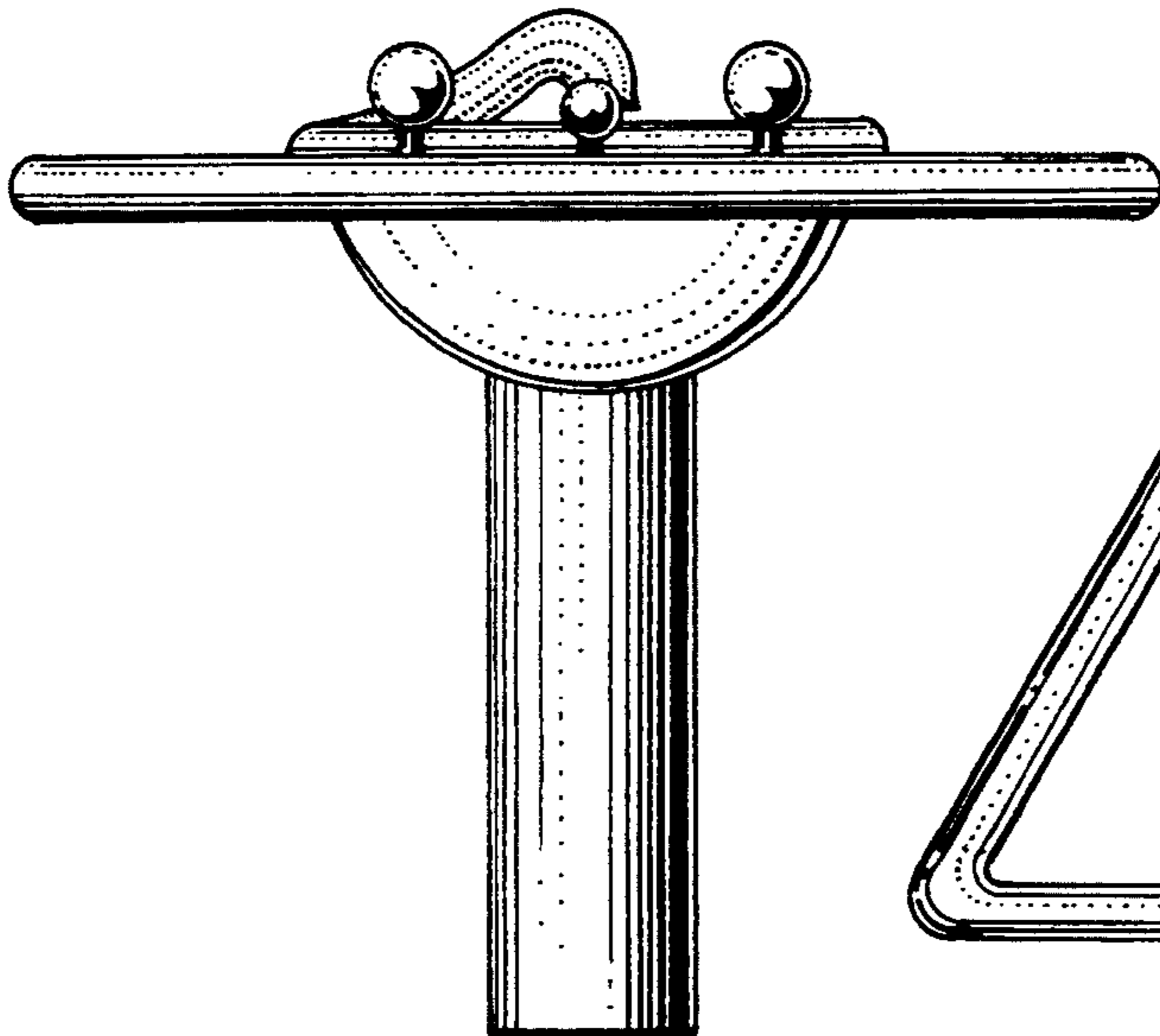


Fig. 7.

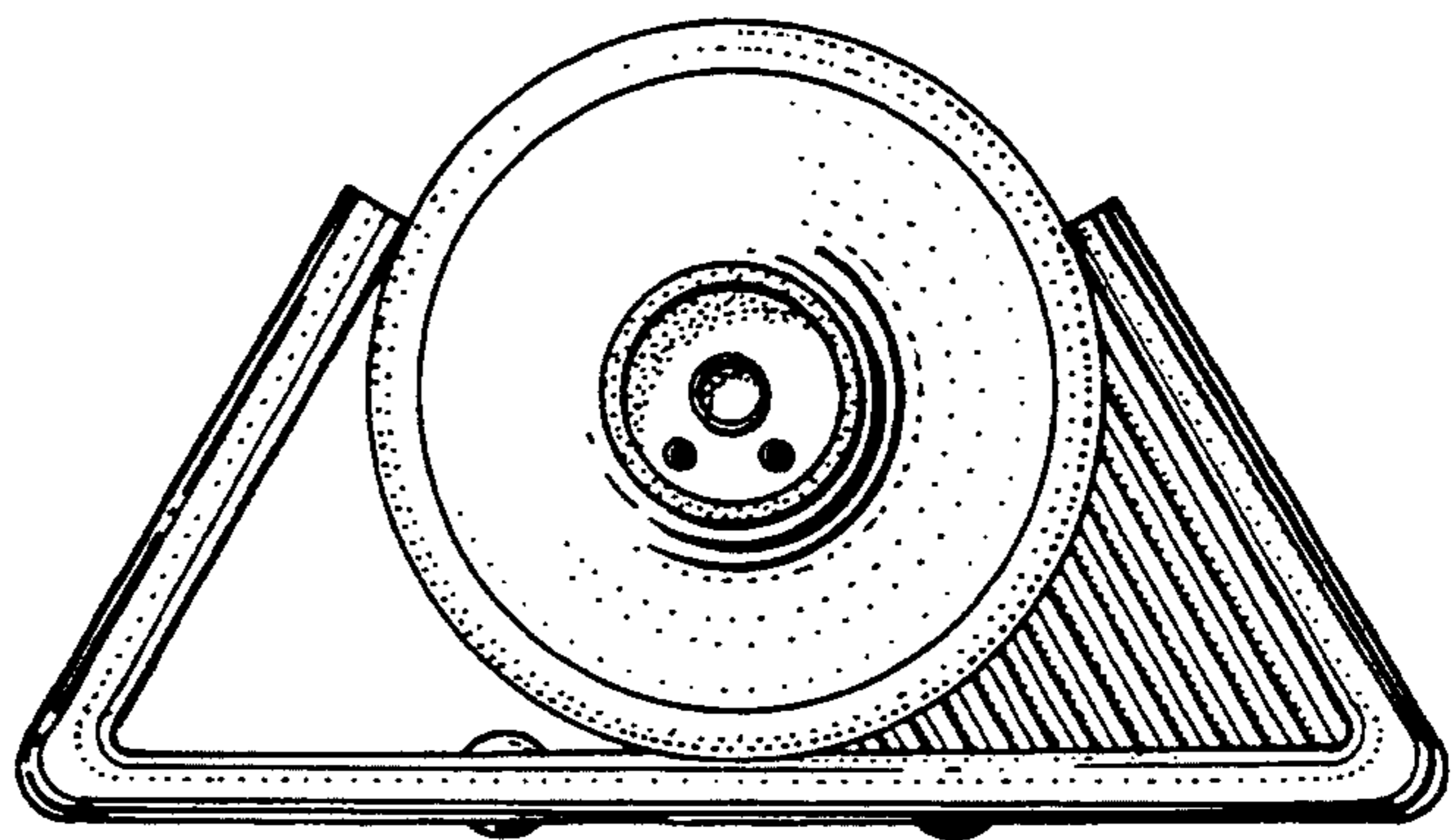


Fig. 8.