



US00D353881S

# United States Patent [19]

[11] Patent Number: **Des. 353,881**

**Roach**

[45] Date of Patent: **\*\* Dec. 27, 1994**

[54] SINK

[75] Inventor: **Jill E. Roach**, Sheboygan, Wis.

[73] Assignee: **Kohler co.**, Kohler, Wis.

[\*\*] Term: **14 Years**

[21] Appl. No.: **12,322**

[22] Filed: **Aug. 30, 1993**

### Related U.S. Application Data

[63] Continuation-in-part of Ser. No. 4,963, Feb. 17, 1993, abandoned.

[52] U.S. Cl. .... **D23/290**

[58] Field of Search ..... **D23/284-294;**  
**4/619, 631-640, 643, 645-648**

### [56] References Cited

#### U.S. PATENT DOCUMENTS

D. 147,748	10/1947	Harder	.....	D23/290
D. 317,198	5/1991	Gocke et al.	.....	D23/290
D. 323,879	2/1992	Sauter	.....	D23/290
2,028,802	1/1936	Ottko	.....	D23/290 X
2,498,502	2/1950	O'Brien	.....	4/640 X
2,524,204	10/1950	O'Brien	.....	D23/290 X
3,427,665	2/1969	Kaiser	.....	4/640 X
4,847,927	7/1989	Blanc	.	

#### OTHER PUBLICATIONS

P. 15-3 of a May 1992 Kohler ad showing inter alia a Ballard Double Equal kitchen sink.

P. 22 of a 1986 Villeroy & Boch ad for Pallas sinks.

P. 15-2 of an undated, admitted prior art Kohler ad showing Bon Vivant kitchen sinks.

P. 15-12b of an admitted prior art Kohler ad for a Ballard triple basin kitchen sink.

*Primary Examiner*—James R. Largen  
*Attorney, Agent, or Firm*—Quarles & Brady

[57] CLAIM

The ornamental design for a sink, as shown and described.

### DESCRIPTION

FIG. 1 is a perspective view taken from the top, front and left side of a sink embodying my new design;

FIG. 2 is a top plan view thereof;

FIG. 3 is a front elevational view thereof;

FIG. 4 is a rear elevational view thereof;

FIG. 5 is a right side elevational view thereof, the left side being a mirror image of the right side;

FIG. 6 is a bottom plan view thereof;

FIG. 7 is a cross-sectional view taken on line 7-7 of FIG. 2;

FIG. 8 is a cross-sectional view taken on line 8-8 of FIG. 2;

FIG. 9 is a perspective view taken from the top, front and left side of a second embodiment thereof;

FIG. 10 is an enlarged cross-sectional view taken on line 10-10 of FIG. 9;

FIG. 11 is a perspective view taken from the top, front and left side of a third embodiment thereof;

FIG. 12 is a perspective view taken from the top, front and left side of a fourth embodiment thereof;

FIG. 13 is a top plan view of FIG. 12;

FIG. 14 is a bottom plan view of FIG. 12;

FIG. 15 is a cross-sectional view taken on line 15-15 of FIG. 13;

FIG. 16 is a perspective view taken from the top, front and left side of a fifth embodiment thereof; and,

FIG. 17 is a perspective view taken from the top, front and left side of a sixth embodiment thereof.

The broken line representations of mounting holes in FIGS. 1, 2, 6, 9, 11, 12, 13, 14, 16 and 17 and the fragmentary broken line representation of counter tops in FIGS. 1, 9, 11, 12, 16 and 17 are for purpose of illustration only and form no part of the claimed design.

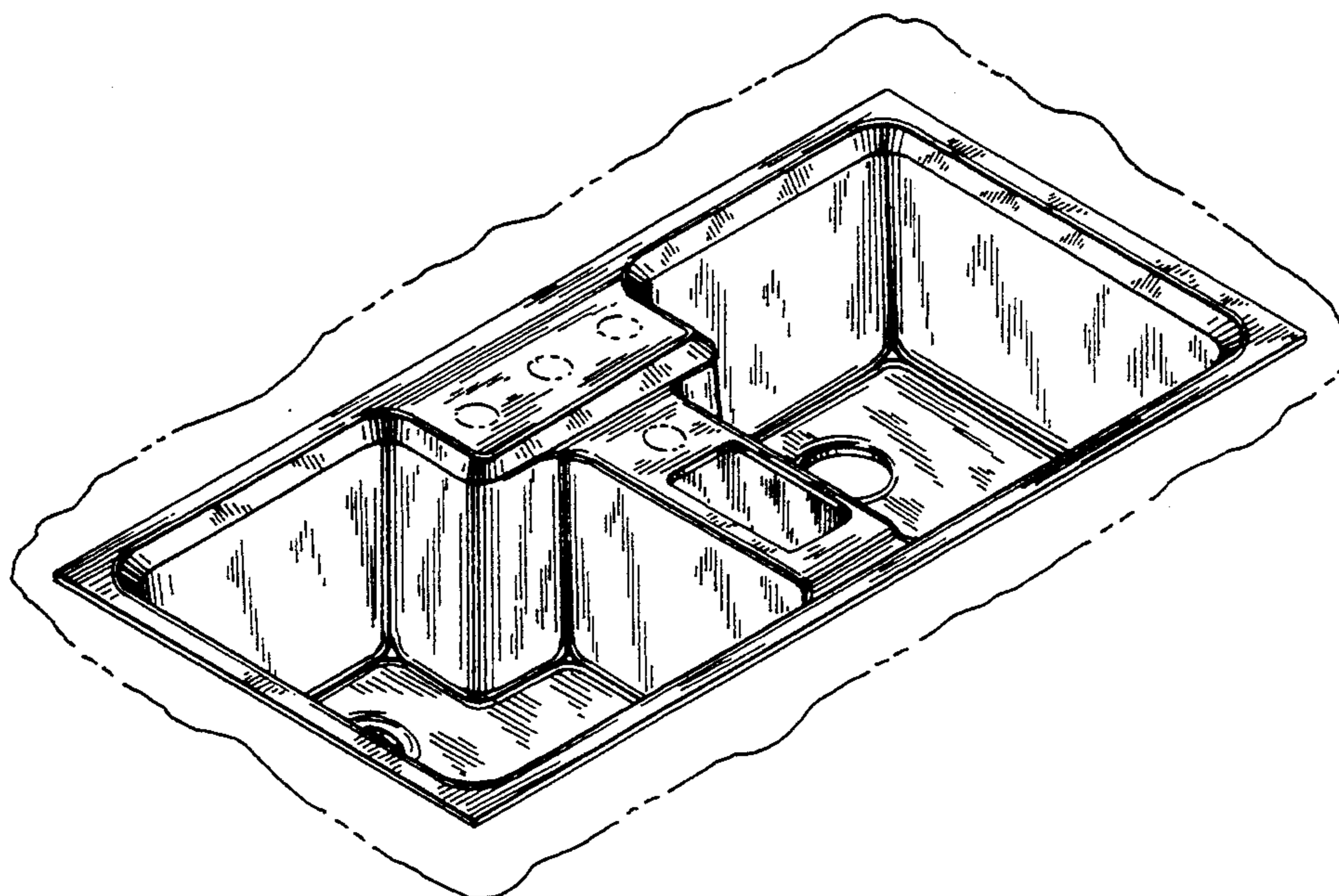


FIG. 1

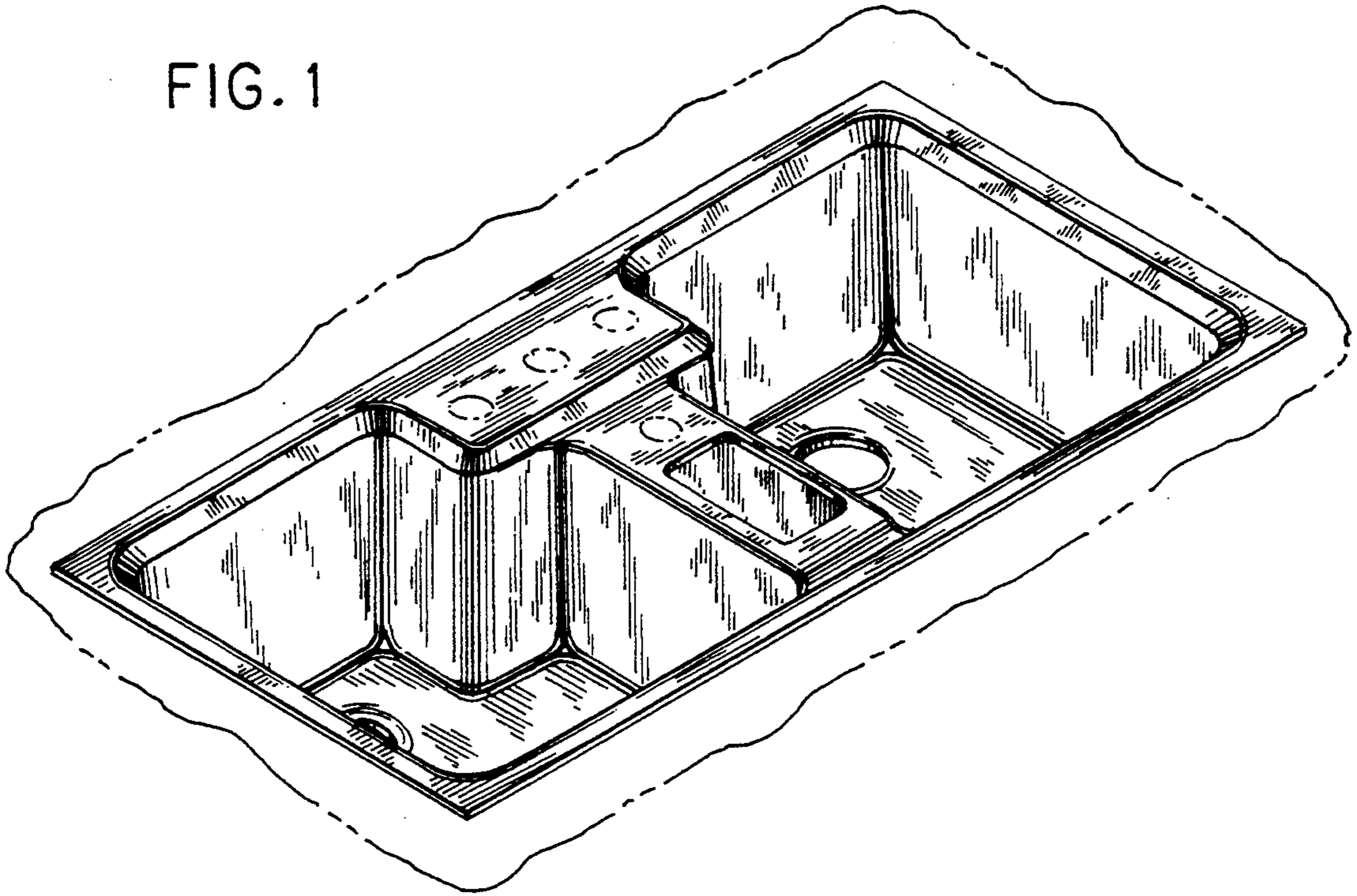
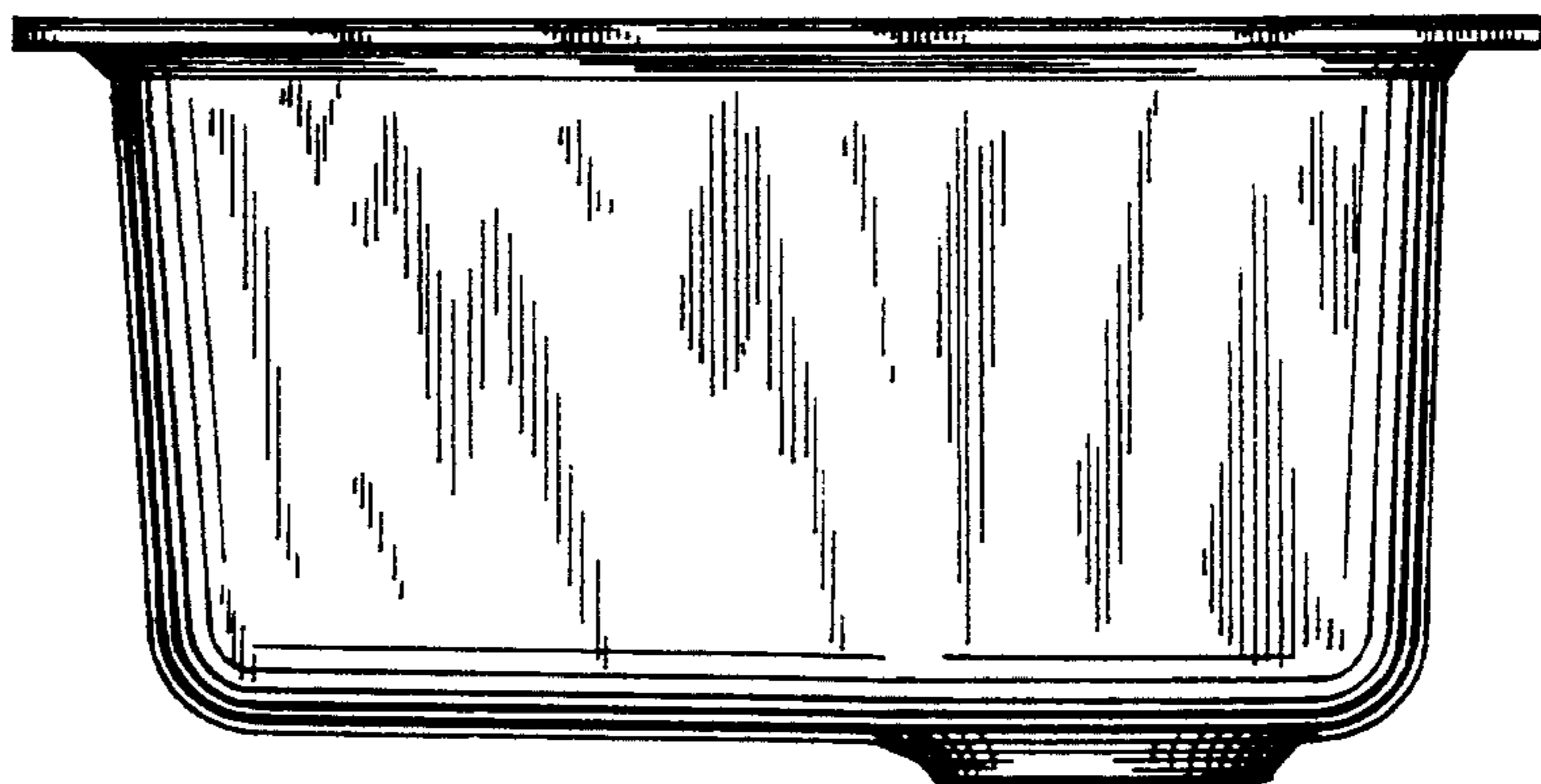


FIG. 5



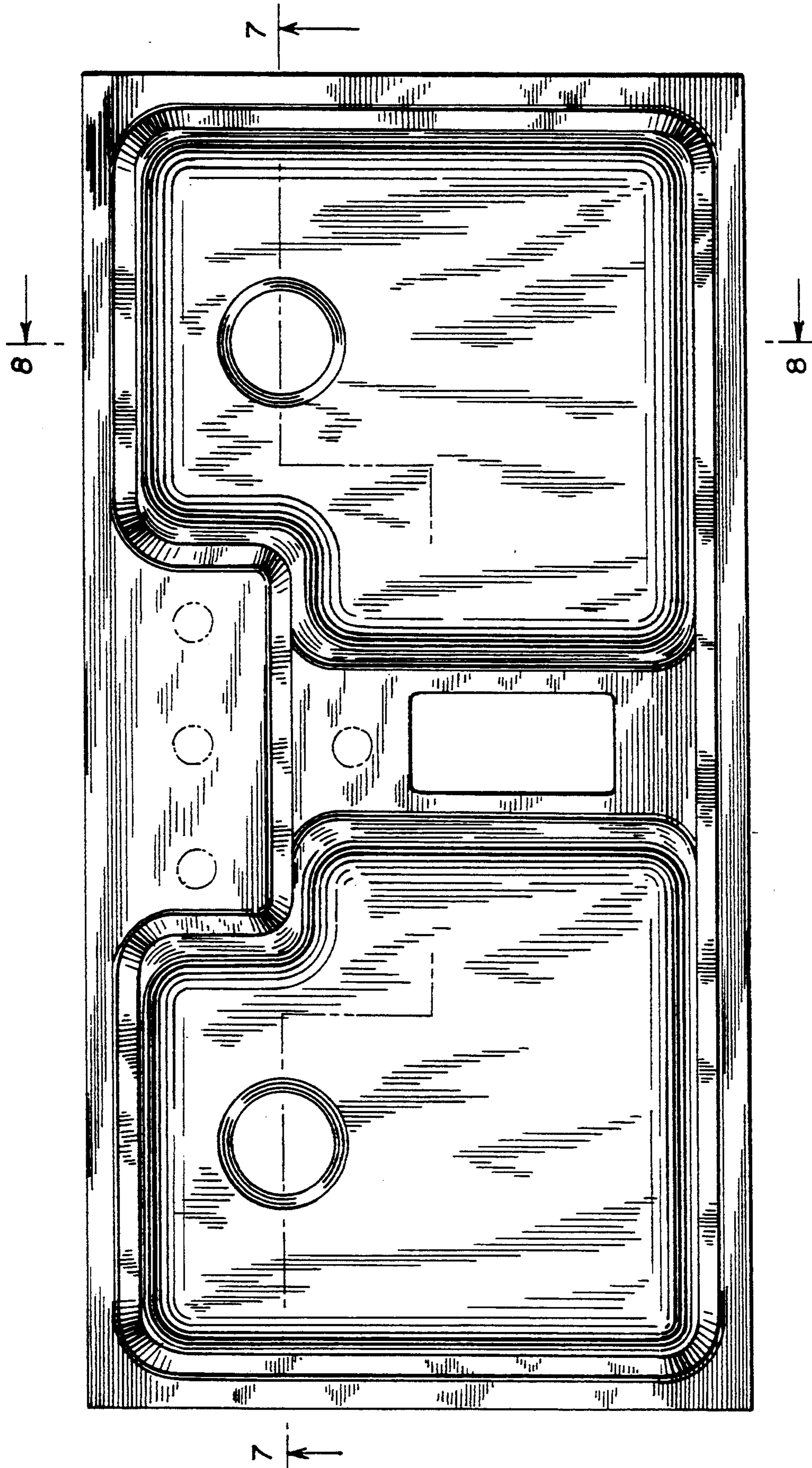


FIG. 2

FIG. 3

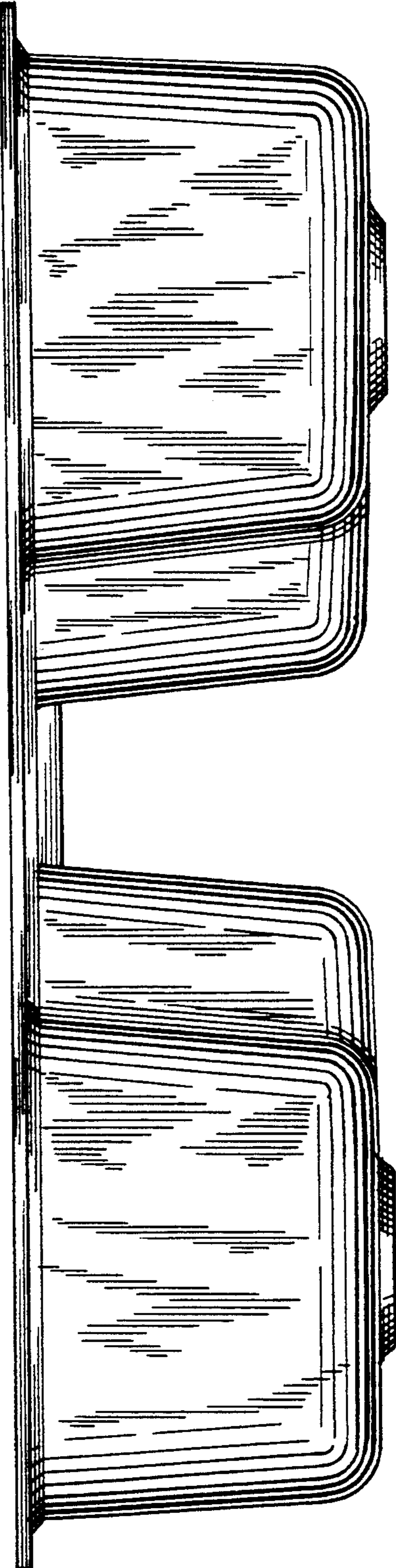
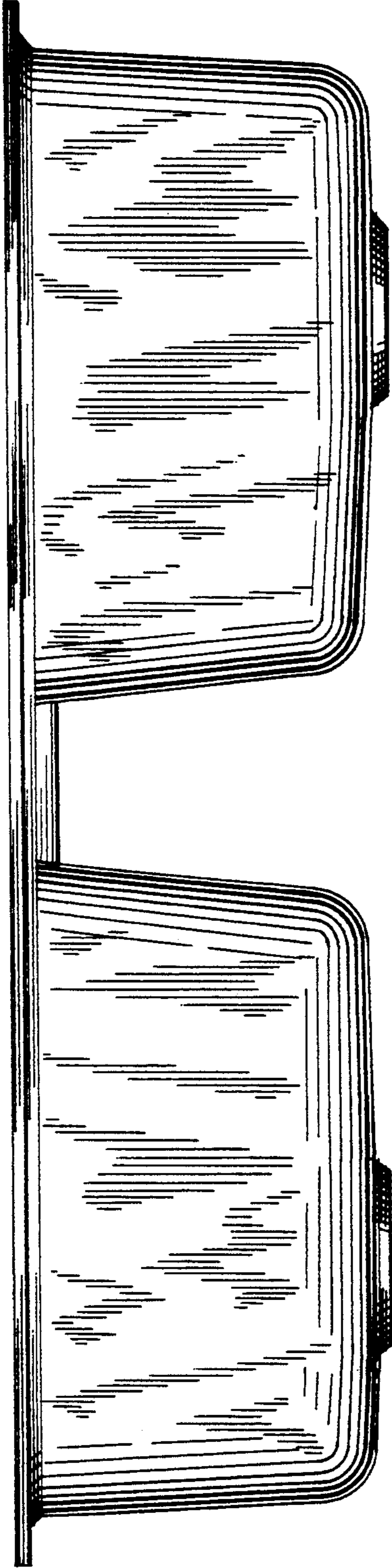


FIG. 4

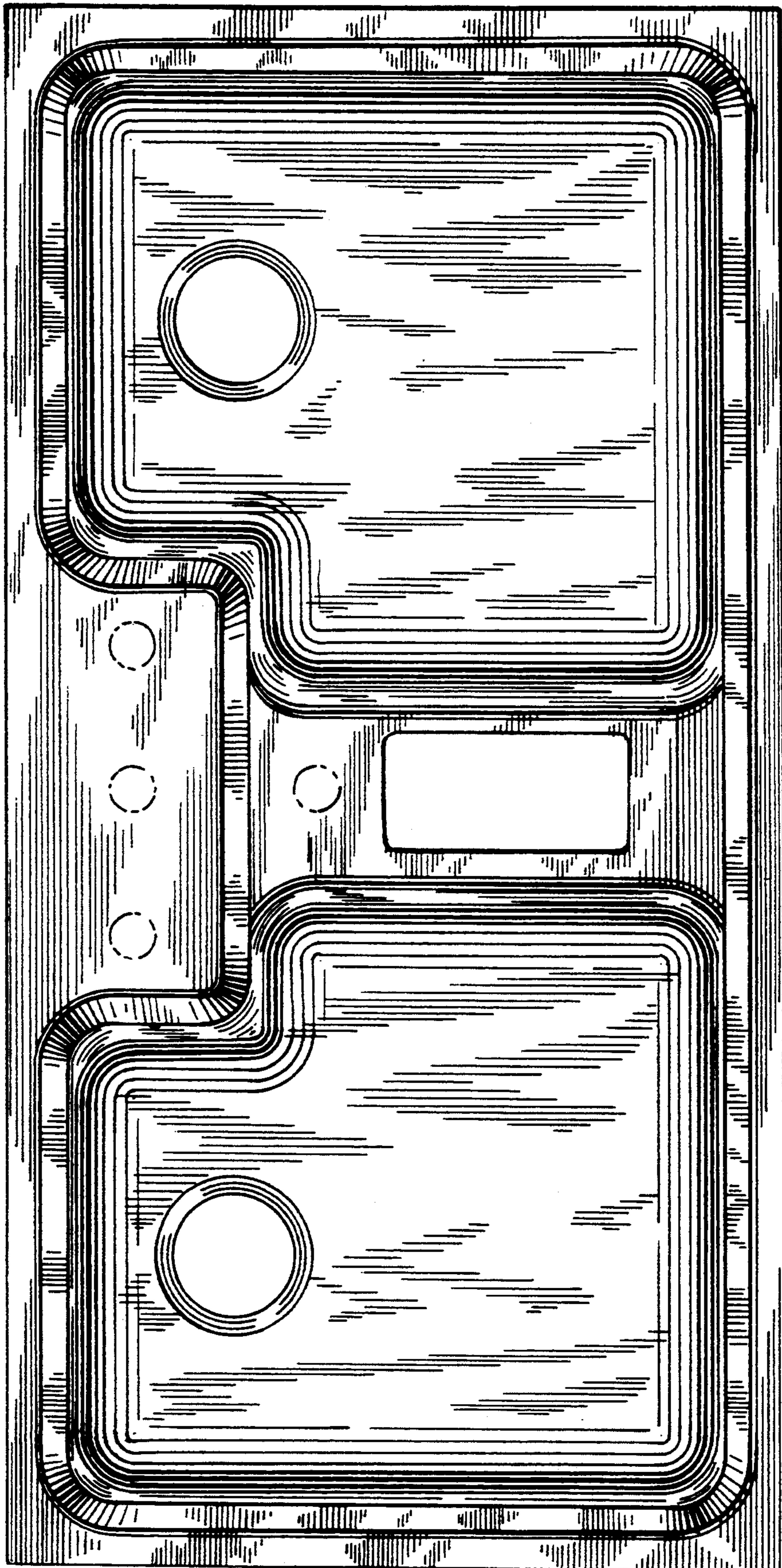


FIG. 6

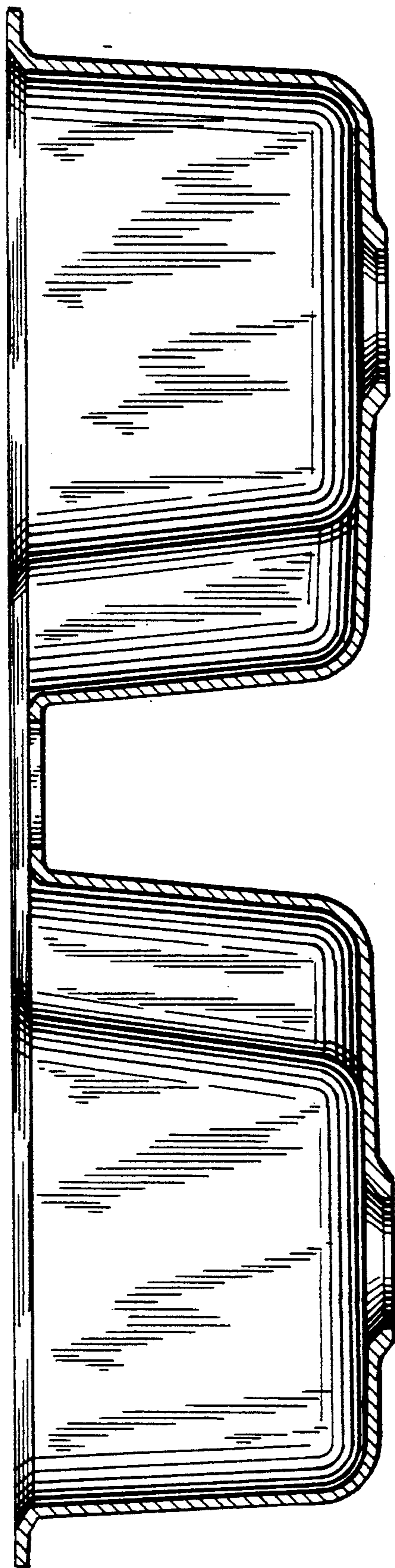


FIG. 7

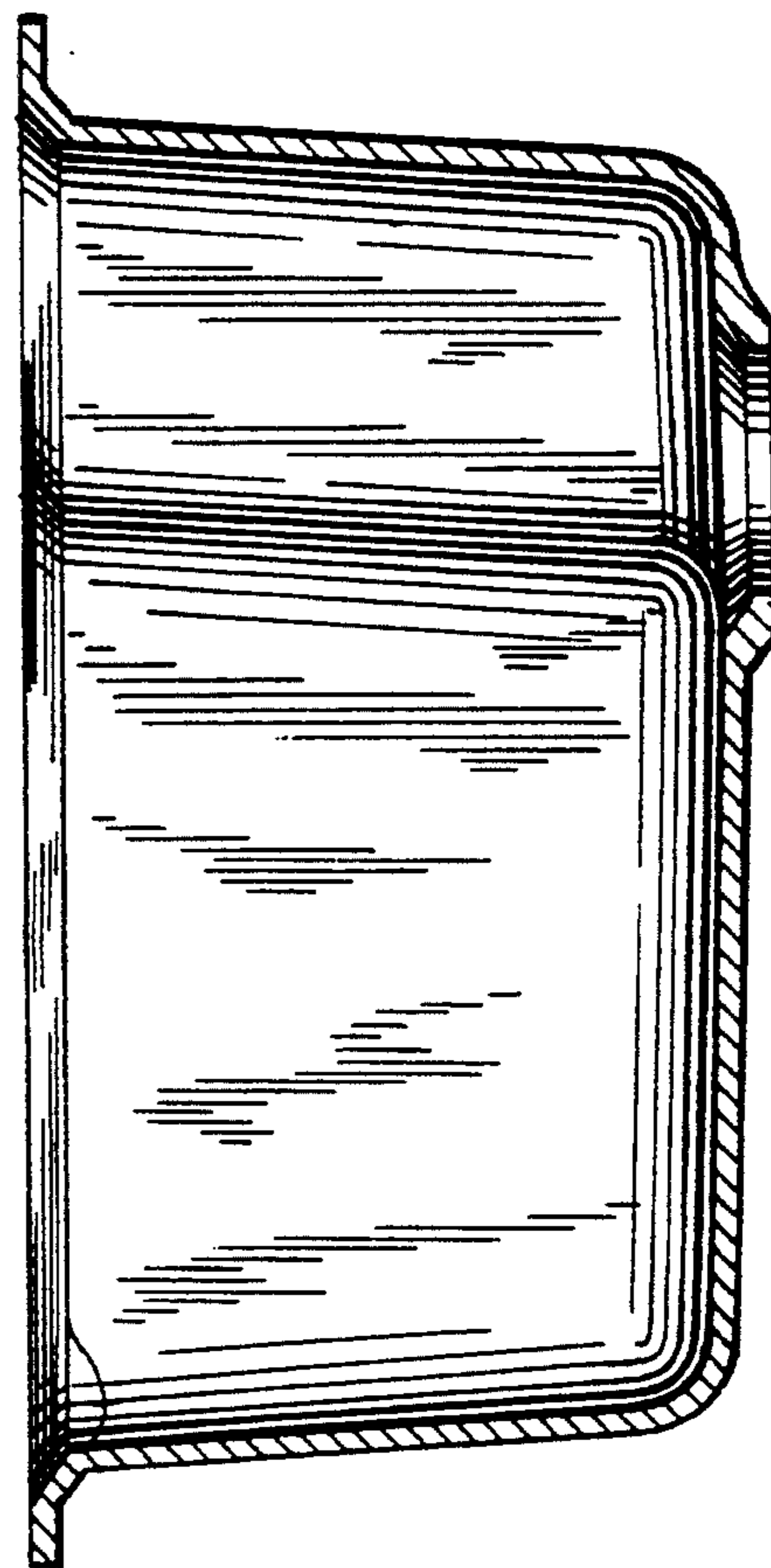


FIG. 8

FIG. 9

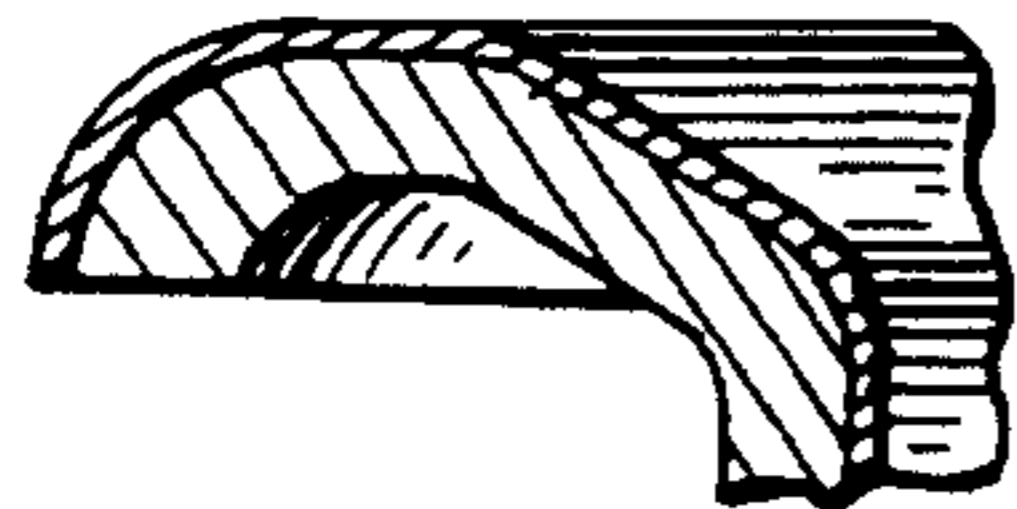
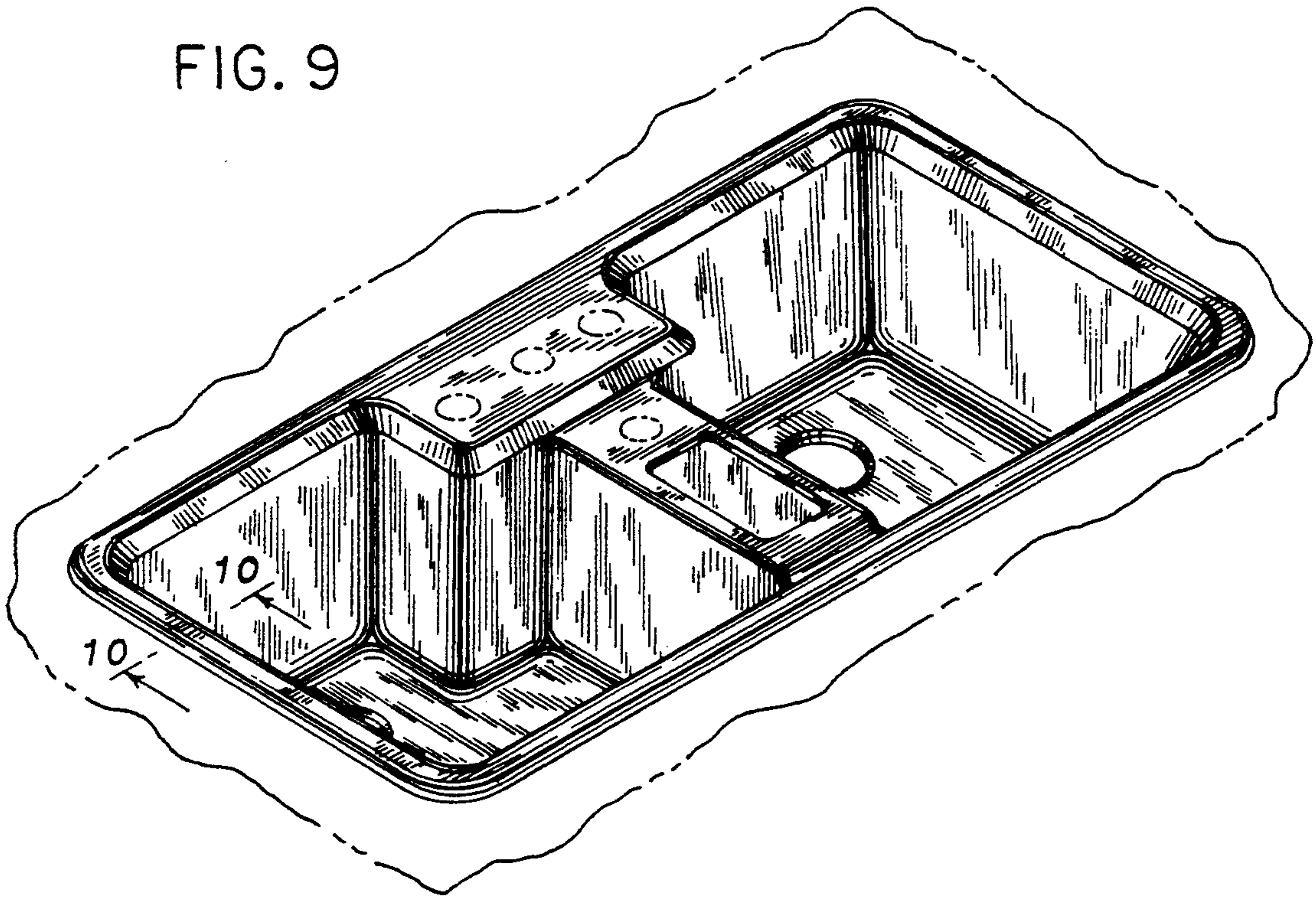


FIG. 10

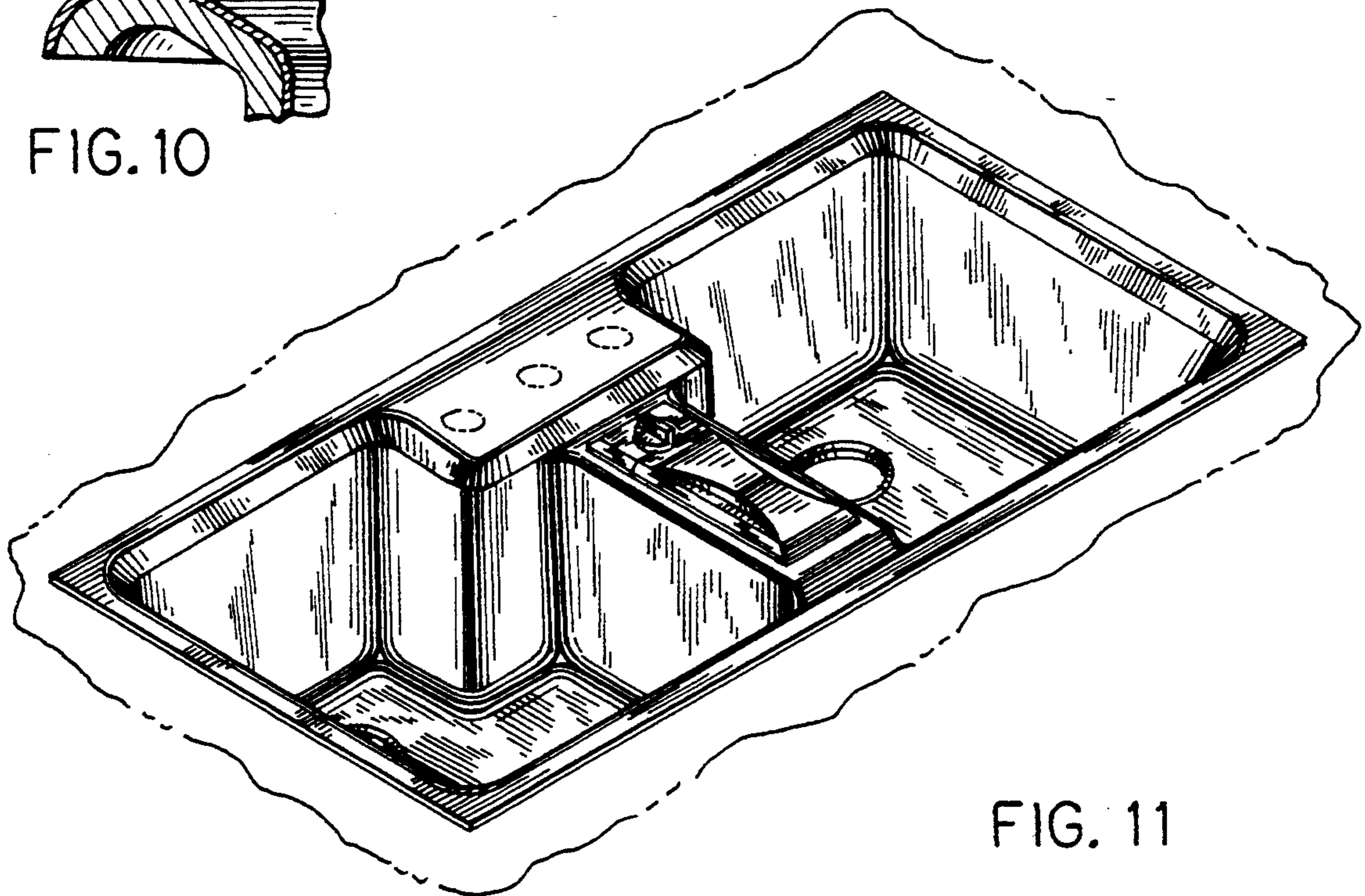


FIG. 11

FIG. 12

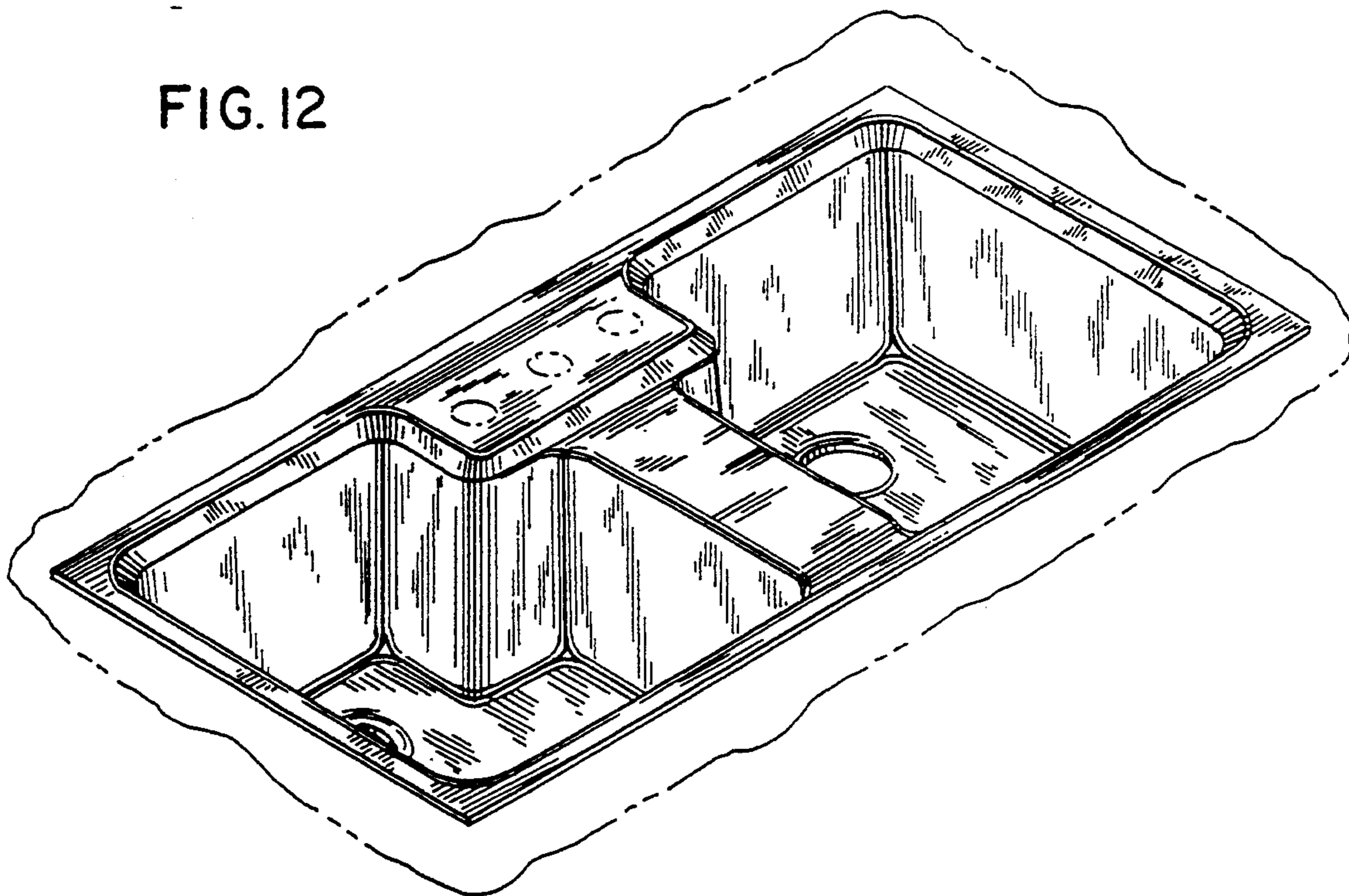
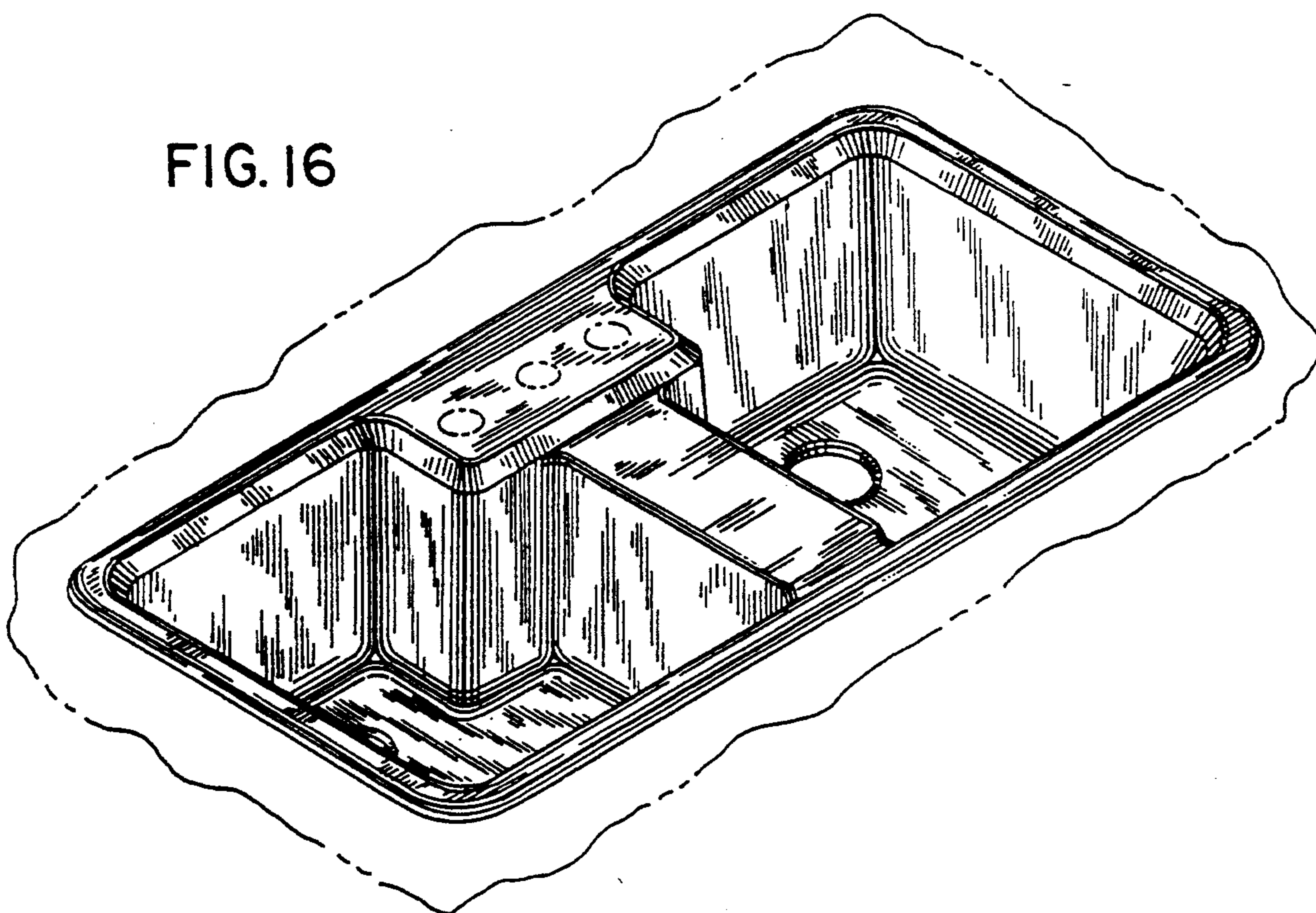


FIG. 16





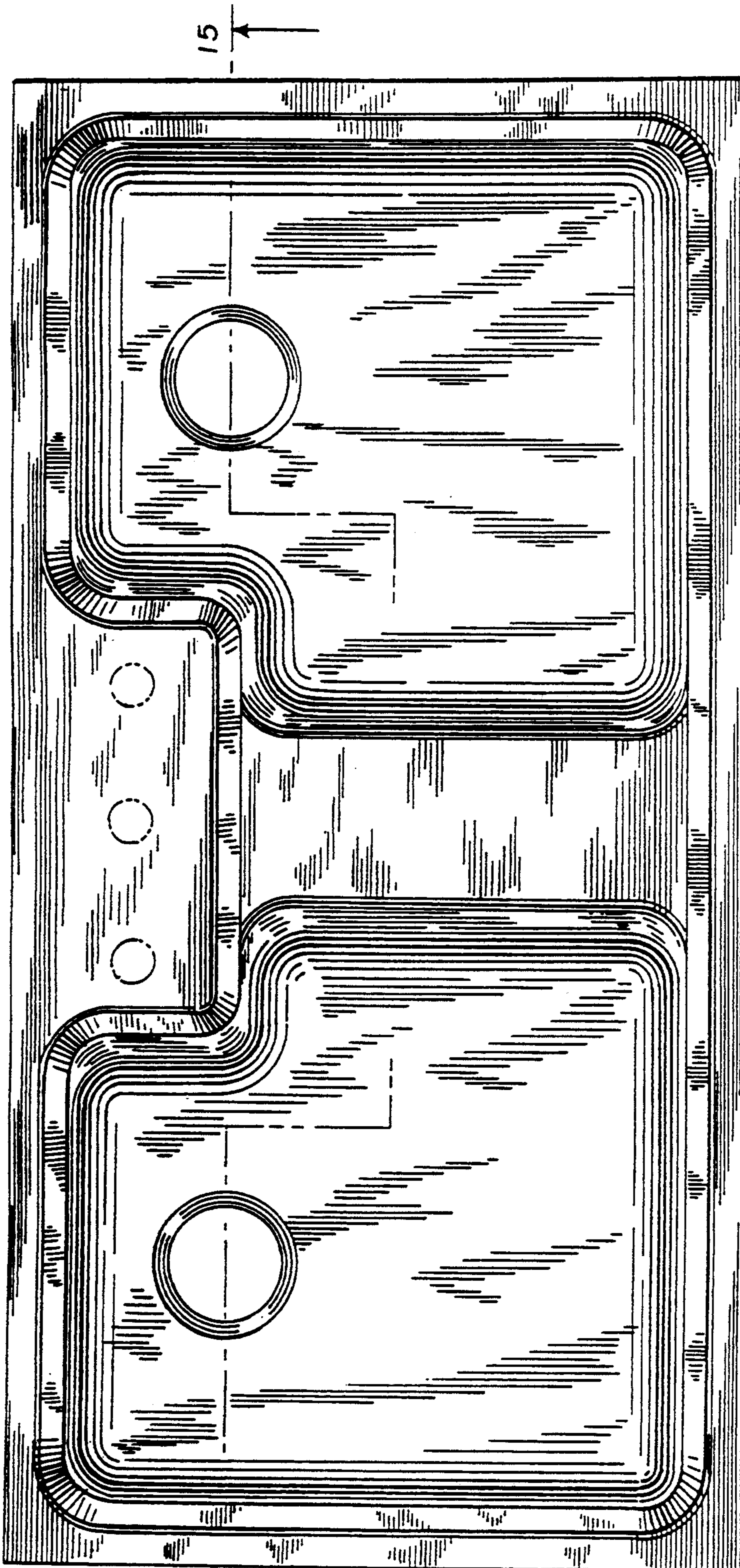


FIG. 13

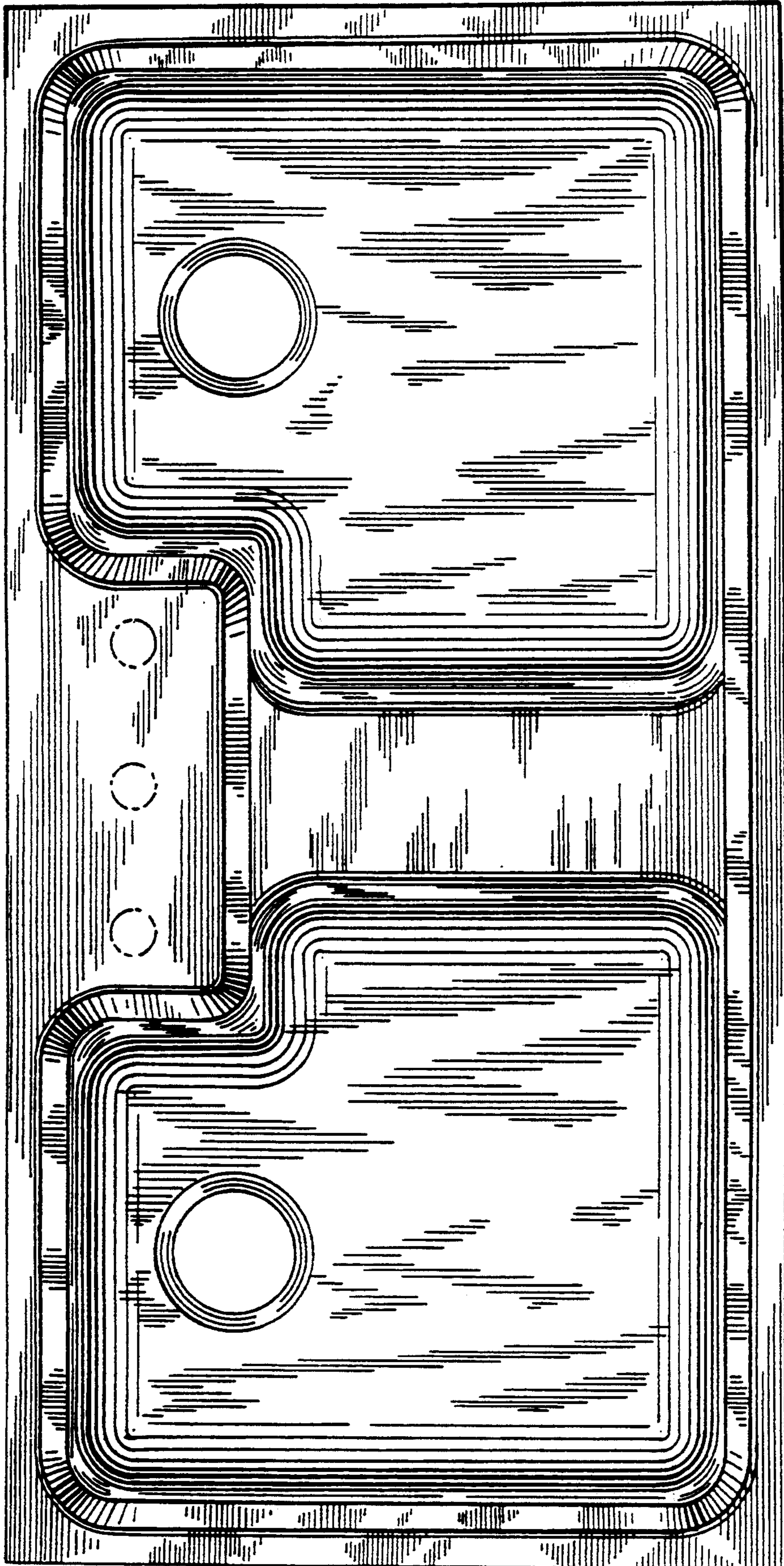


FIG. 14

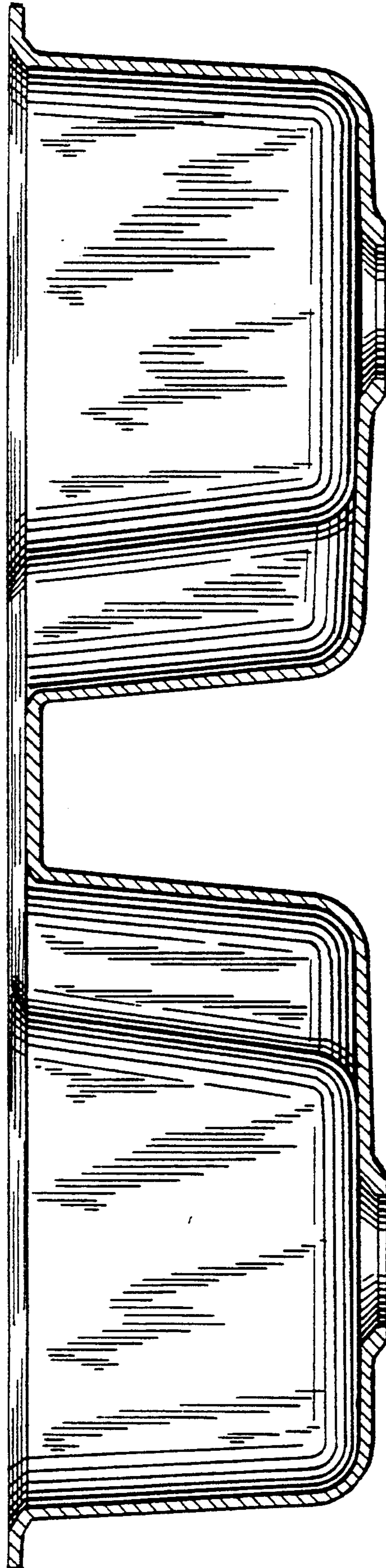


FIG. 15

FIG. 17

