



US00D353875S

# United States Patent [19]

[11] Patent Number: **Des. 353,875**

**Clivio**

[45] Date of Patent: **\*\* Dec. 27, 1994**

[54] **MULTI-PURPOSE SPRAYER**

[75] Inventor: **Franco Clivio**, Erlenbach, Switzerland

[73] Assignee: **Gardena Kress + Kastner GmbH**, Germany

[\*\*] Term: **14 Years**

[21] Appl. No.: **17,539**

[22] Filed: **Jan. 14, 1994**

[30] **Foreign Application Priority Data**

Jul. 16, 1993 [DE] Germany ..... 9305705

[52] U.S. Cl. .... **D23/223**

[58] Field of Search ..... D23/213, 223-229; 239/301, 332, 373, 394, 396, 414-415, 525-528, 530-532, 554, 556

[56] **References Cited**

**U.S. PATENT DOCUMENTS**

- D. 270,657 9/1983 Clivio ..... D23/226
- D. 315,014 2/1991 Clivio ..... D23/226

- D. 347,463 5/1994 Kingston et al. .... D23/223
- 4,470,549 9/1984 McMillan ..... 239/526
- 4,534,512 8/1985 Chow et al. .... 239/526

**OTHER PUBLICATIONS**

Gardena '94 catalog, p. 22.

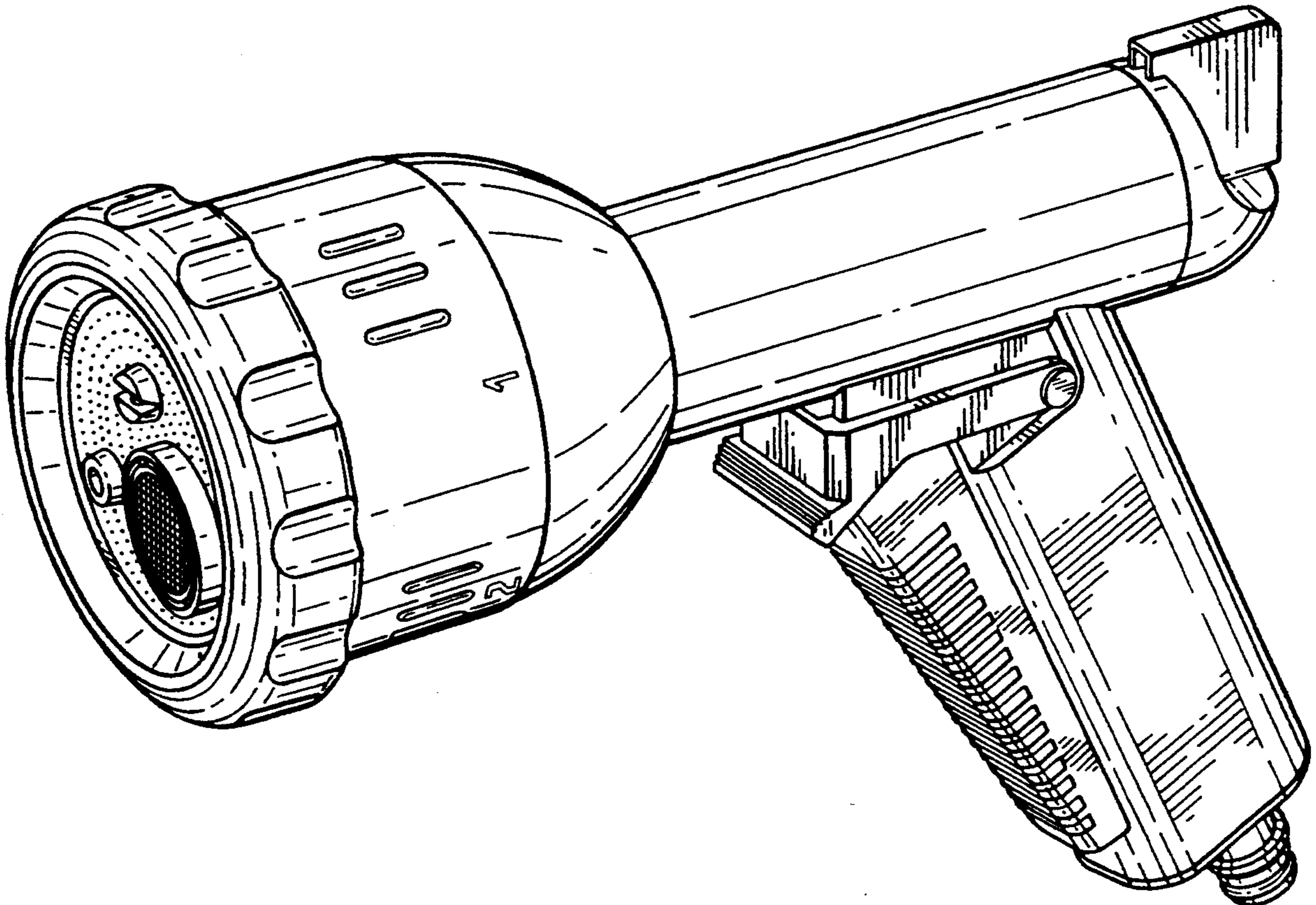
*Primary Examiner*—Wallace R. Burke  
*Assistant Examiner*—Robin V. Taylor  
*Attorney, Agent, or Firm*—Quarles & Brady

[57] **CLAIM**

The ornamental design for a multi-purpose sprayer, as shown and described.

**DESCRIPTION**

FIG. 1 is a side perspective view of a multi-purpose sprayer showing my new design; FIG. 2 is a top plan view thereof; FIG. 3 is a side elevation view thereof; FIG. 4 is a front elevation view thereof; FIG. 5 is a rear elevation view thereof; FIG. 6 is an opposite side elevation view thereof; and, FIG. 7 is a bottom plan view thereof.



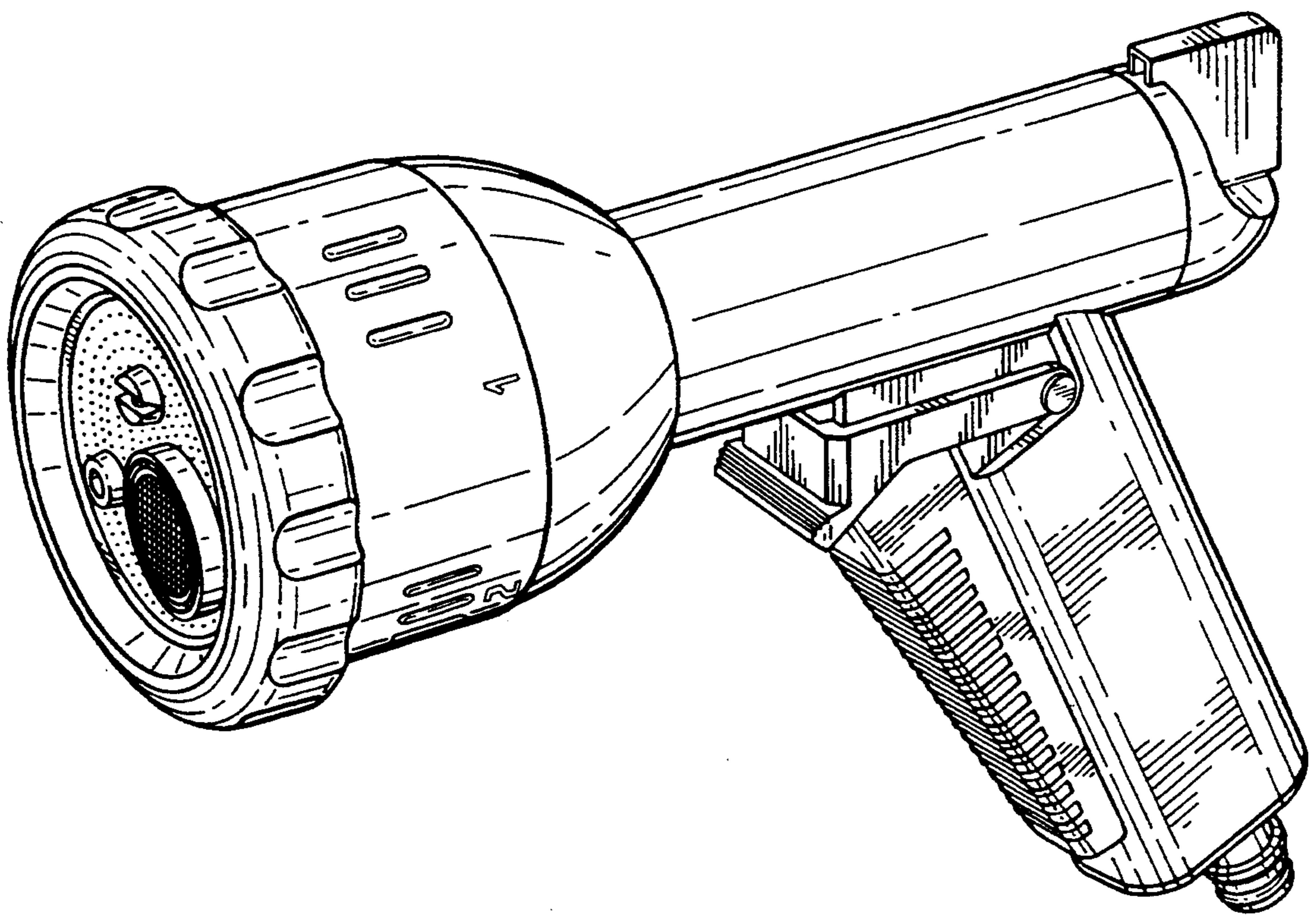


Fig. 1

Fig. 2

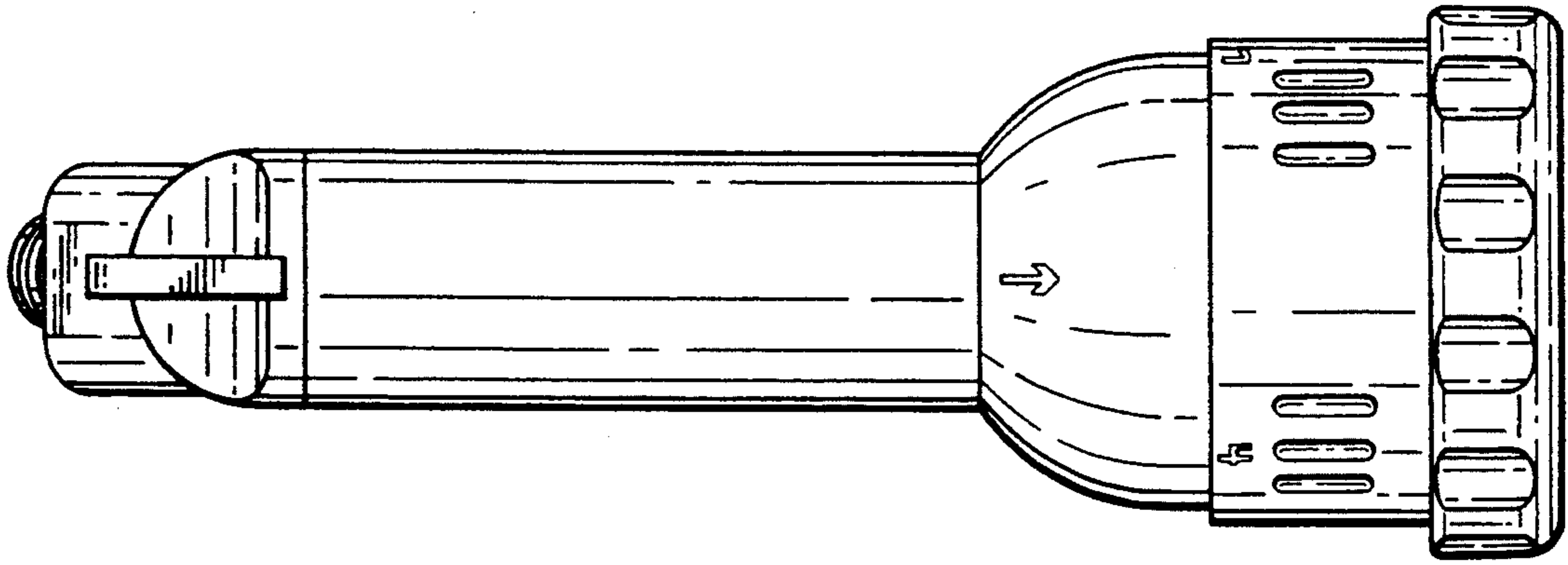


Fig. 3

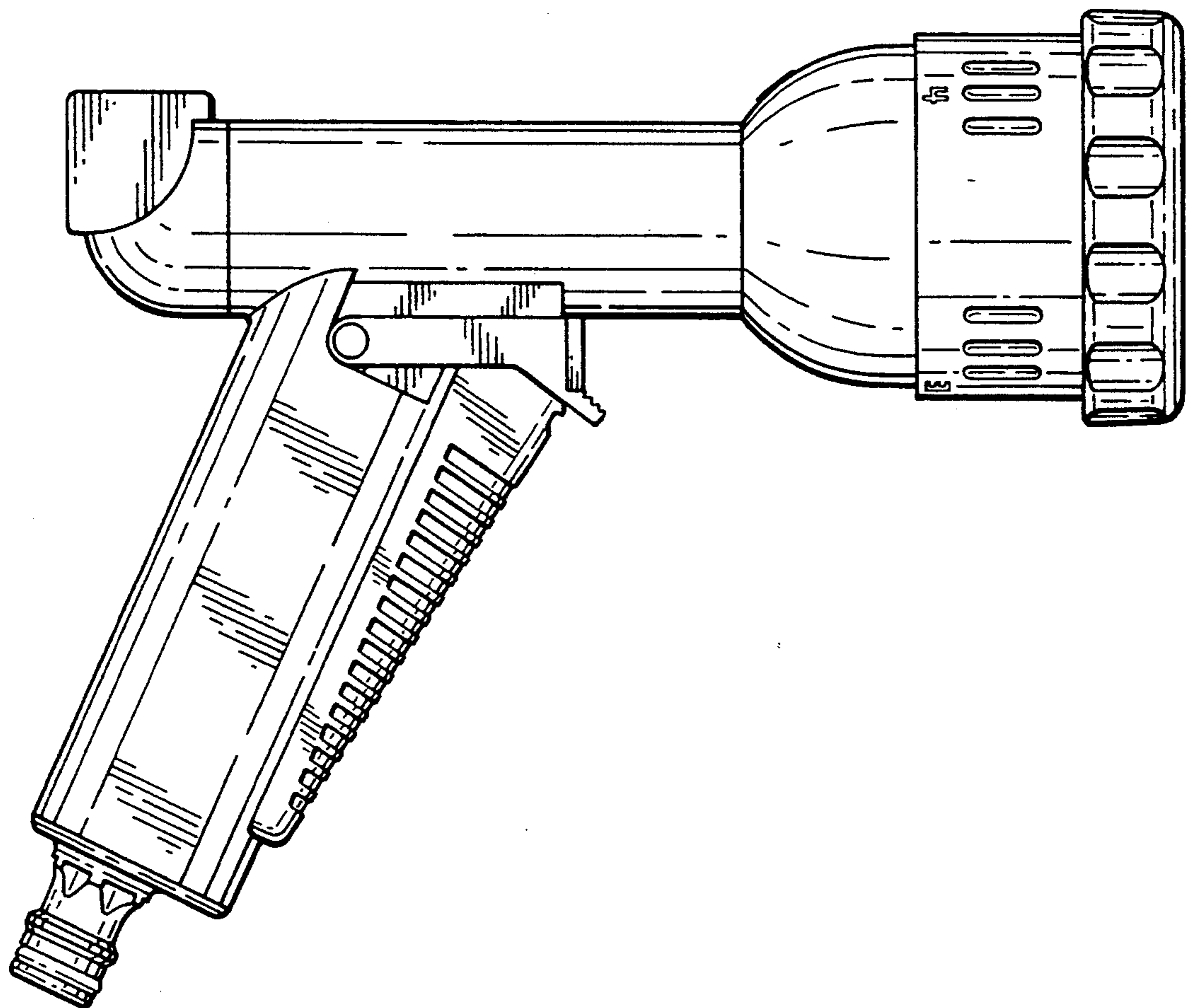


Fig. 4

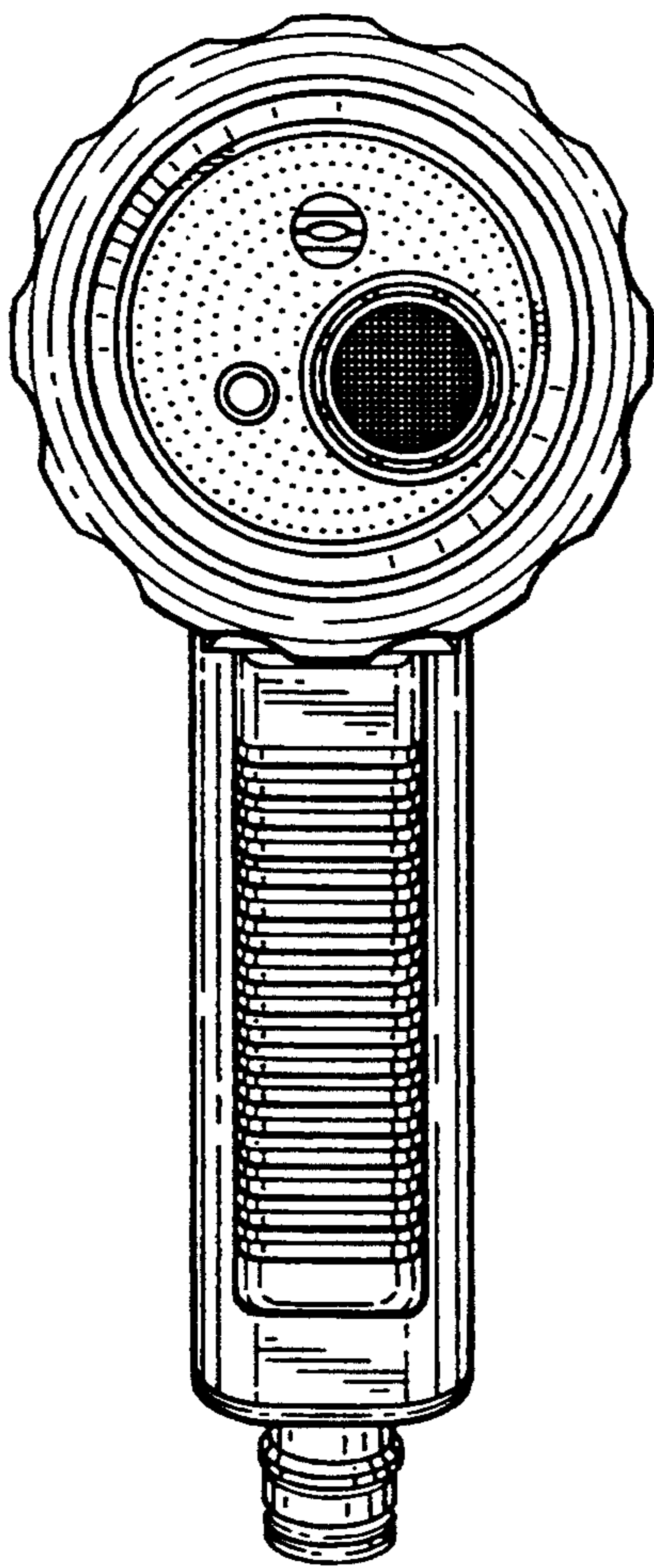


Fig. 5

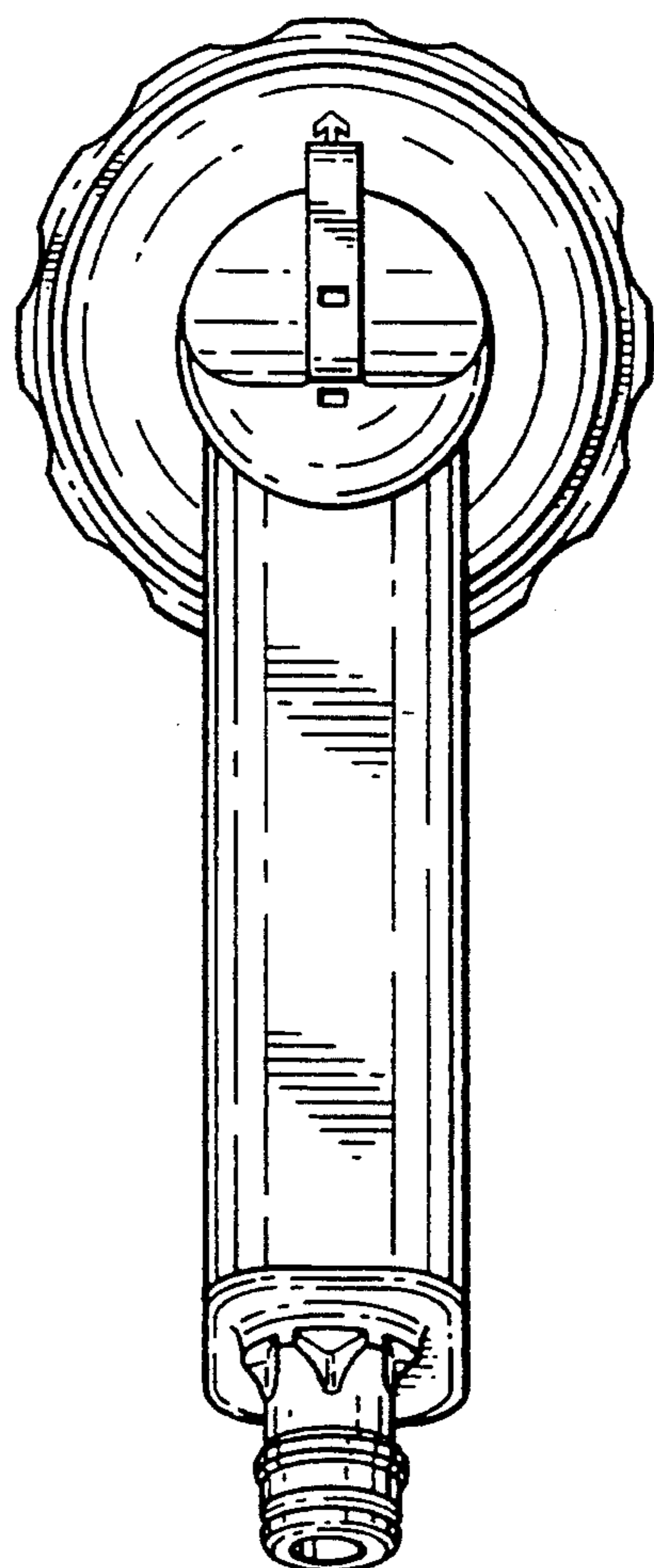


Fig. 6

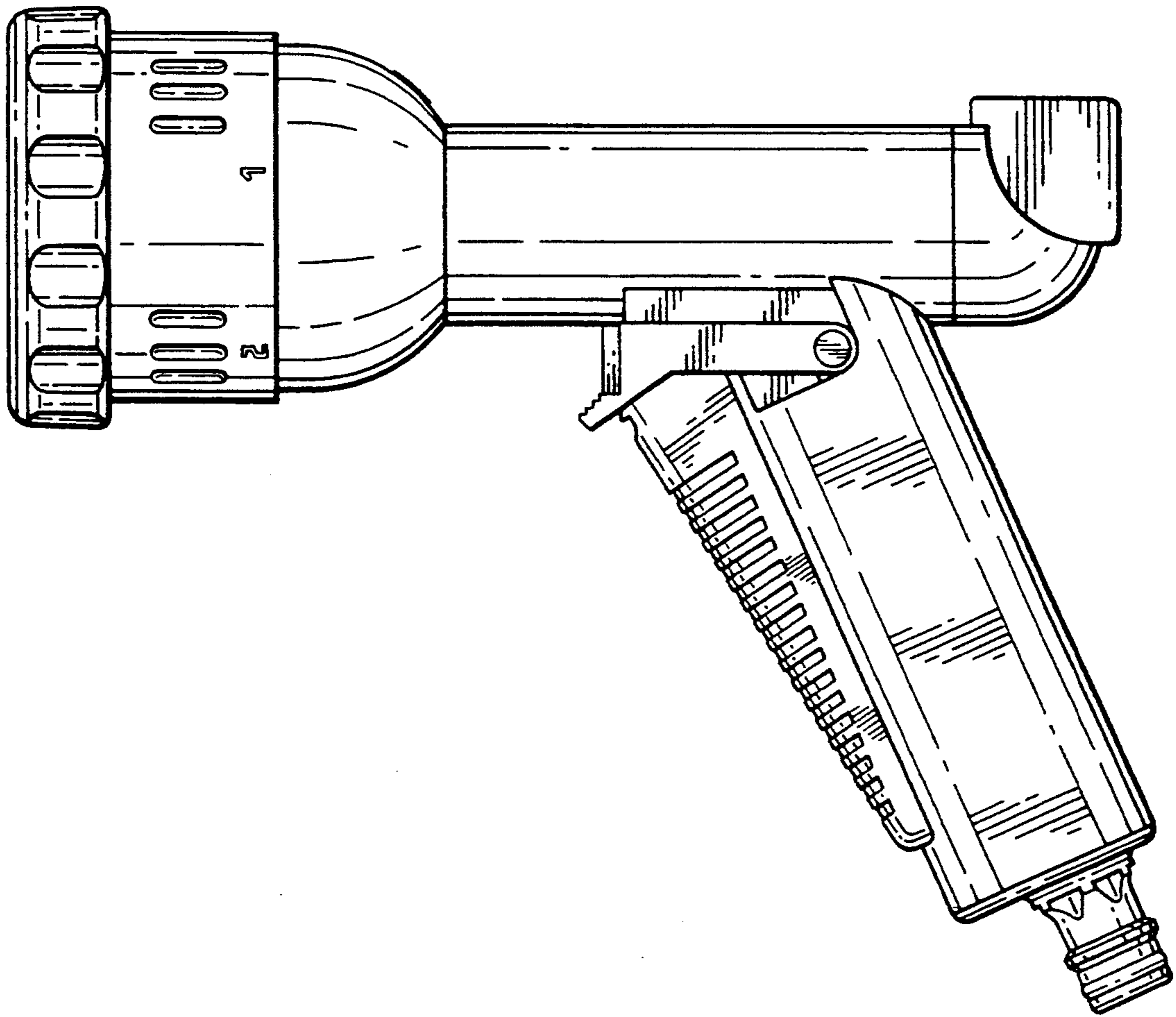


Fig. 7

