



US00D353874S

United States Patent [19] Clivio

[11] Patent Number: **Des. 353,874**
[45] Date of Patent: **** Dec. 27, 1994**

[54] **SPRAYER**

[75] Inventor: **Franco Clivio**, Erlenbach,
Switzerland

[73] Assignee: **Gardena Kress + Kastner GmbH**,
Germany

[**] Term: **14 Years**

[21] Appl. No.: **17,703**

[22] Filed: **Jan. 14, 1994**

[30] **Foreign Application Priority Data**

Jul. 16, 1993 [DE] Germany 9305705

[52] U.S. Cl. **D23/213**

[58] Field of Search D23/213, 223-229;
239/280-283, 288, 288.3, 288.5, 276, 530-532,
525-528

[56] **References Cited**

U.S. PATENT DOCUMENTS

D. 270,560 9/1983 Clivio et al. D23/226

D. 285,244 9/1986 Clivio et al. D23/225
D. 294,965 3/1988 Garrard D23/223
2,215,375 9/1940 Ortman D23/223

OTHER PUBLICATIONS

Gardena '94 catalog, p. 21.

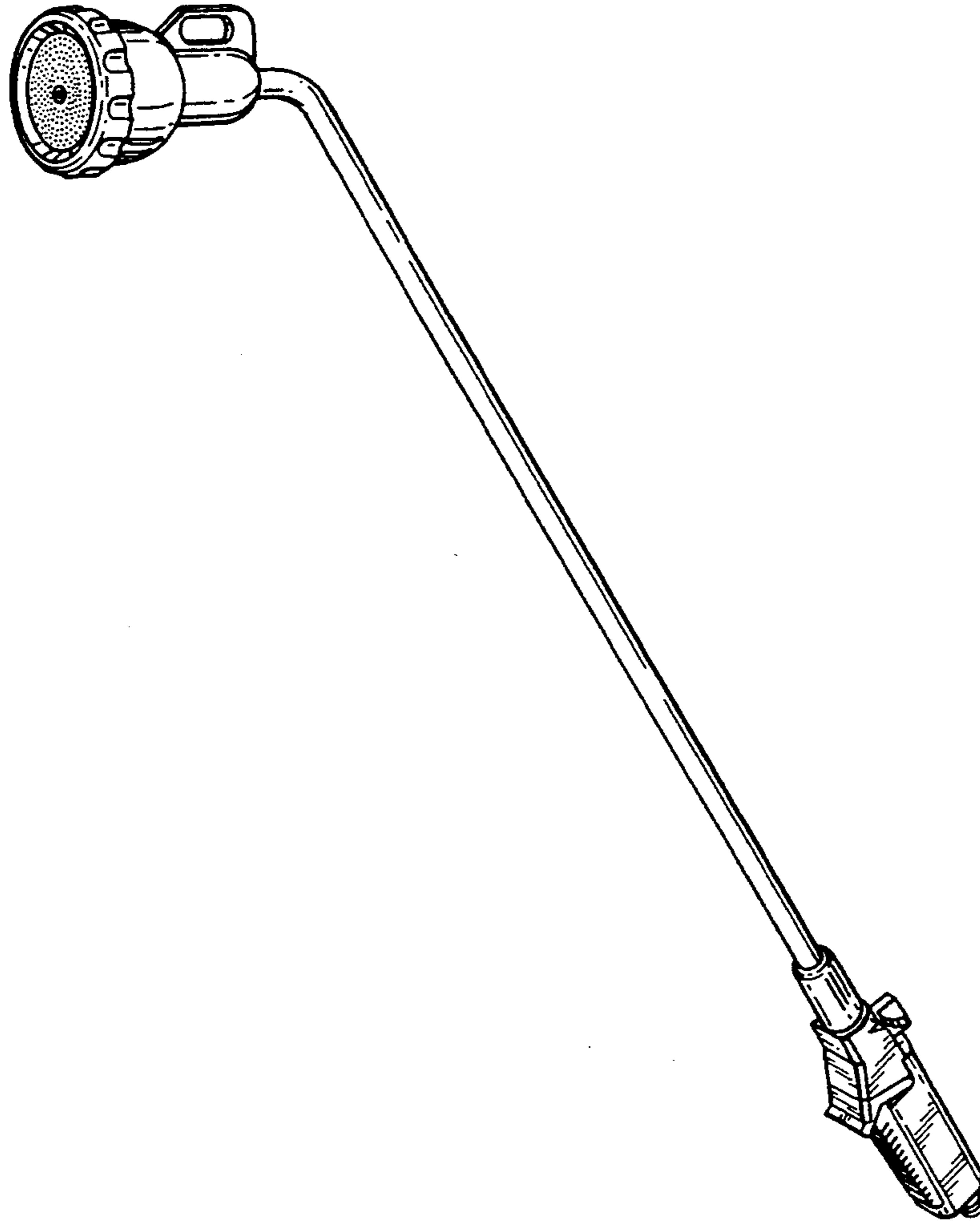
Primary Examiner—Wallace R. Burke
Assistant Examiner—Robin V. Taylor
Attorney, Agent, or Firm—Quarles & Brady

[57] CLAIM

The ornamental design for a sprayer with extension lance, as shown and described.

DESCRIPTION

FIG. 1 is a side perspective view of a sprayer with extension lance showing my new design;
FIG. 2 is a top plan view thereof;
FIG. 3 is a side elevation view thereof;
FIG. 4 is a front elevation view thereof;
FIG. 5 is a rear elevation view thereof;
FIG. 6 is an opposite side elevation view thereof; and,
FIG. 7 is a bottom plan view thereof.



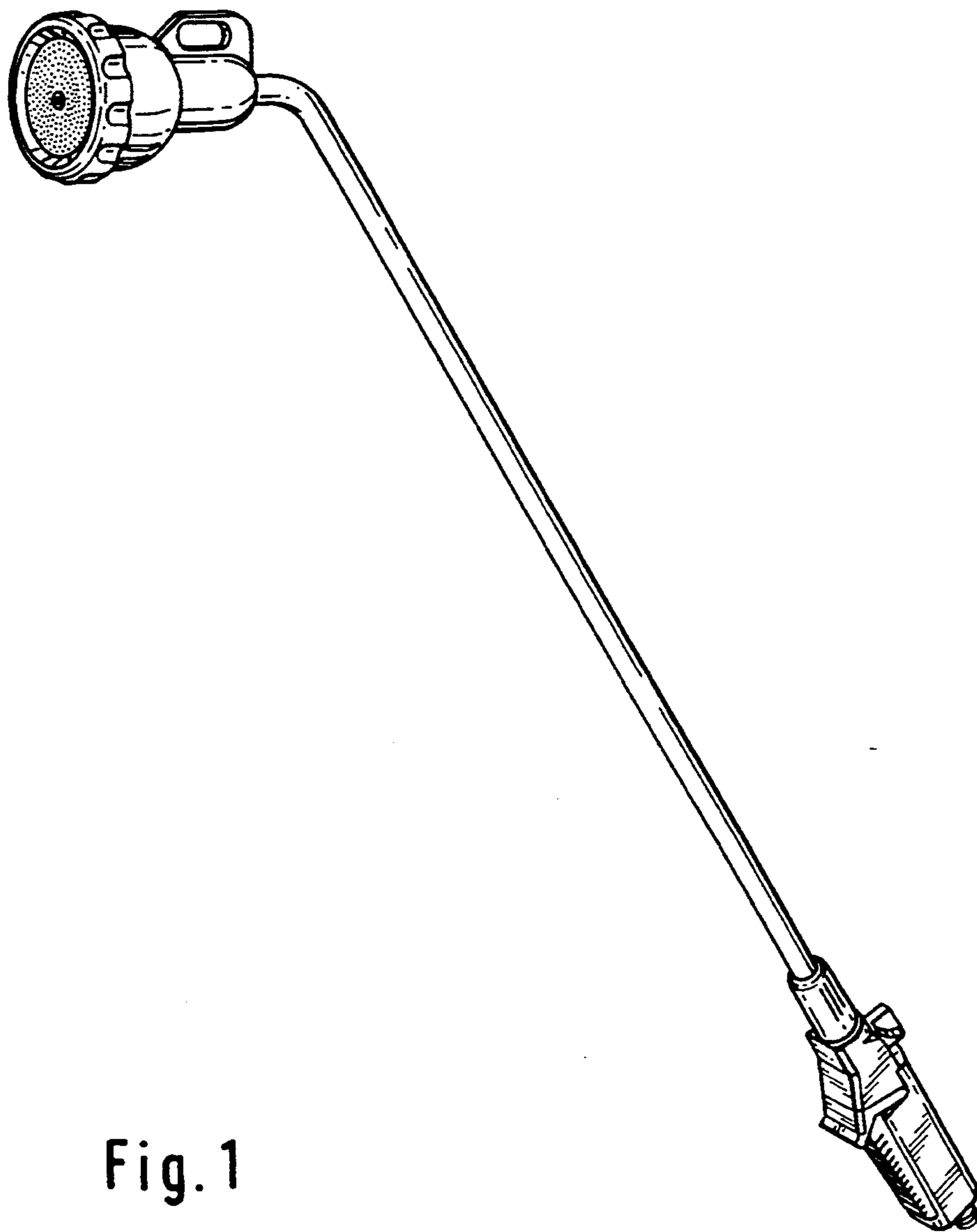


Fig. 1

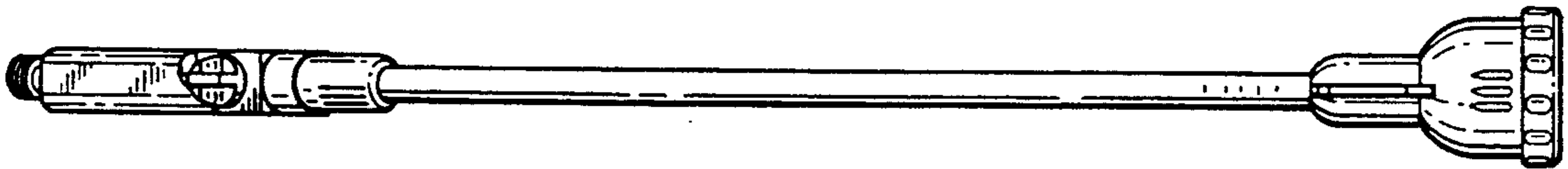


Fig. 2

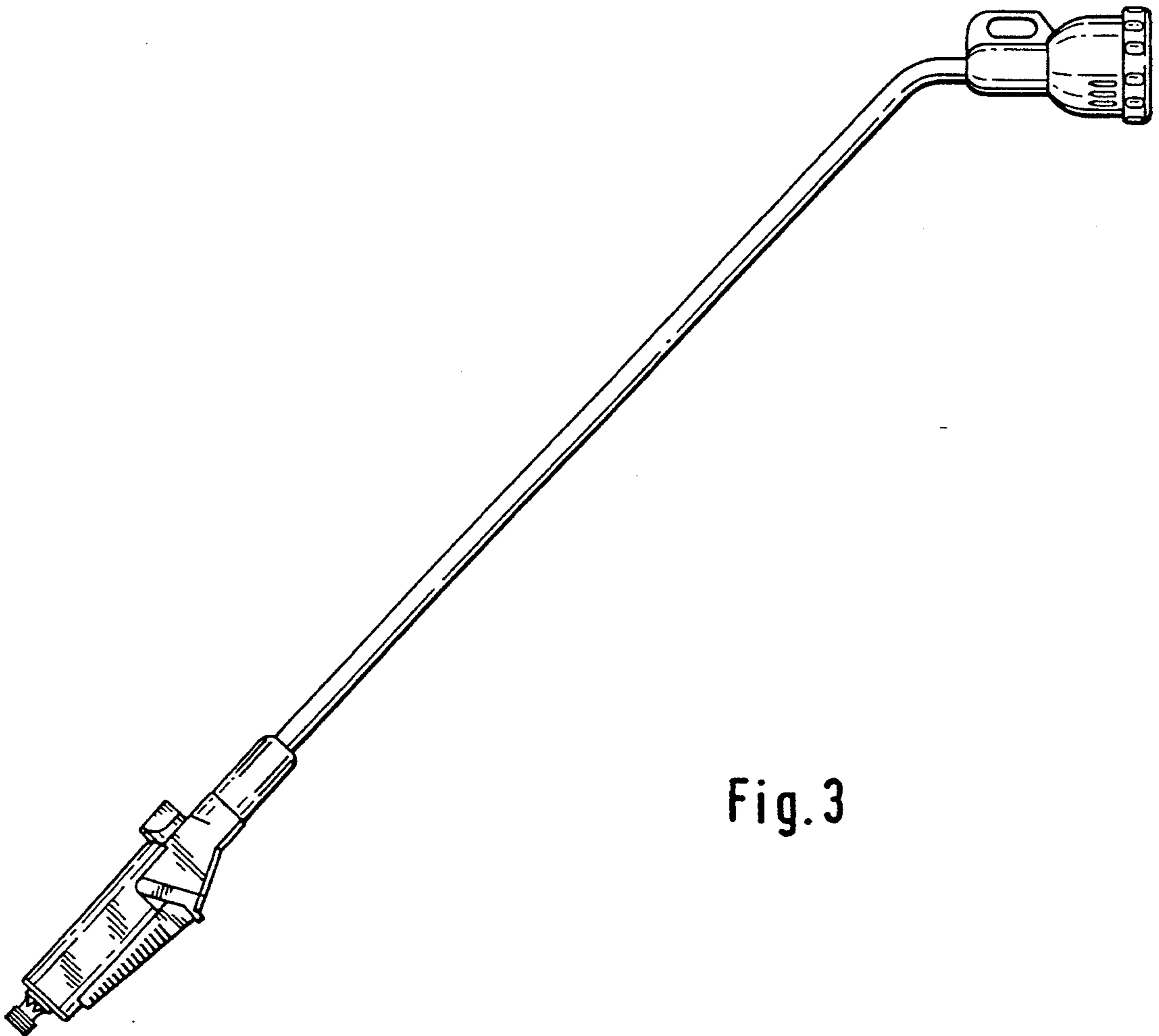


Fig. 3

Fig. 4

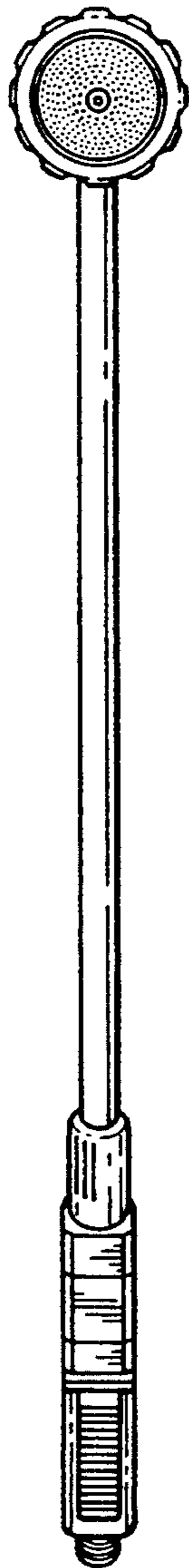


Fig. 5



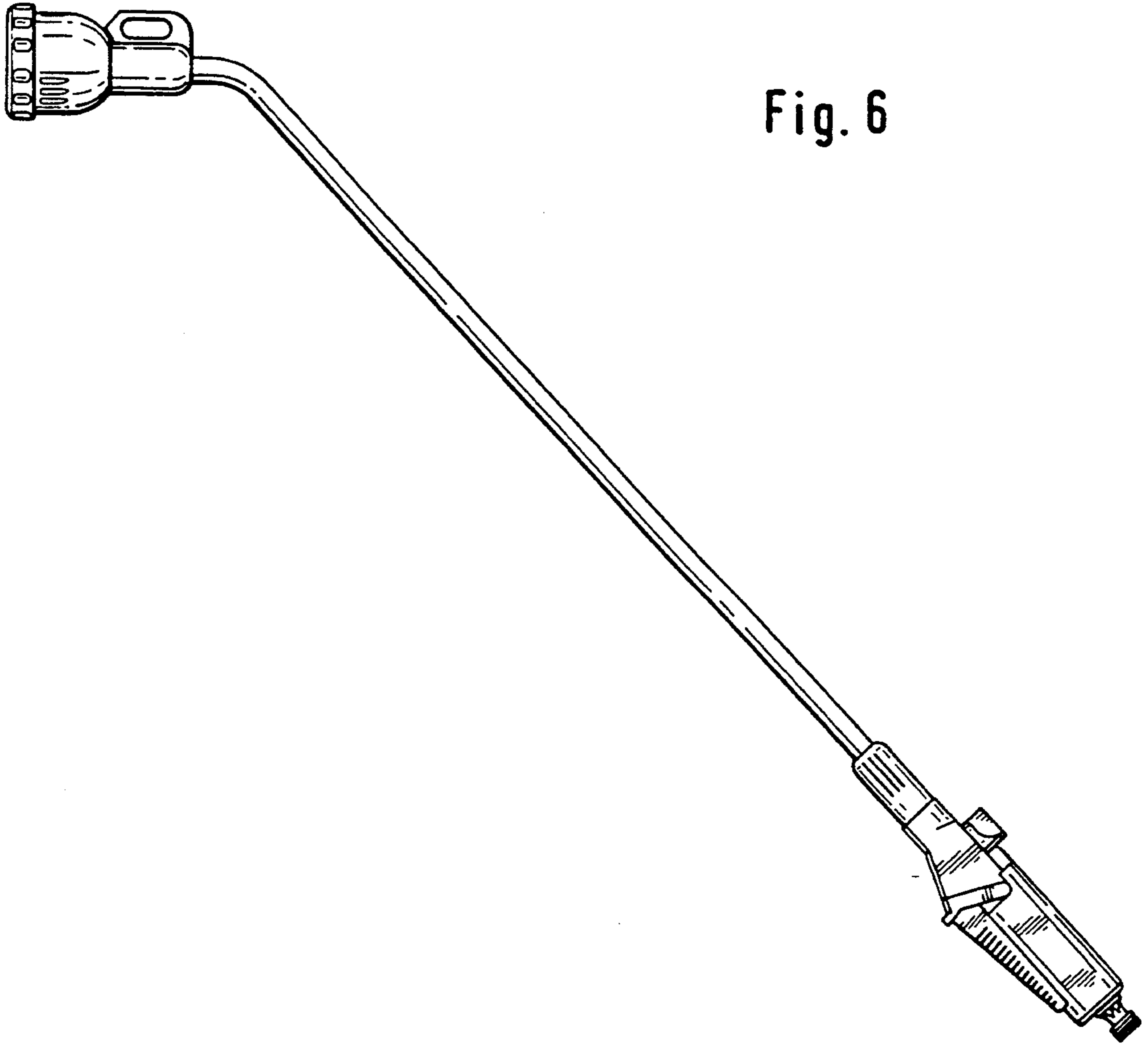


Fig. 6

Fig. 7

