



US00D353873S

United States Patent [19]

[11] Patent Number: **Des. 353,873**

Schoeneman

[45] Date of Patent: **** Dec. 27, 1994**

[54] **FOG-MAKING APPARATUS**

3,712,542 1/1973 Price 239/2.1
4,257,559 3/1981 Noren 239/283

[76] Inventor: **Larry Schoeneman**, 2248 W. Palmer St., Chicago, Ill. 60647

Primary Examiner—Wallace R. Burke
Assistant Examiner—Robin V. Taylor
Attorney, Agent, or Firm—Dressler, Goldsmith, Shore, & Milnamow, Ltd.

[**] Term: **14 Years**

[21] Appl. No.: **14,579**

[57] **CLAIM**

[22] Filed: **Oct. 26, 1993**

[52] U.S. Cl. **D23/213**

The ornamental design for a fog-making apparatus, as shown and described.

[58] Field of Search D23/213, 214, 217, 218, D23/219; 239/2.1, 550-552, 556-559, 562-565, 280-283, 565, 525-528

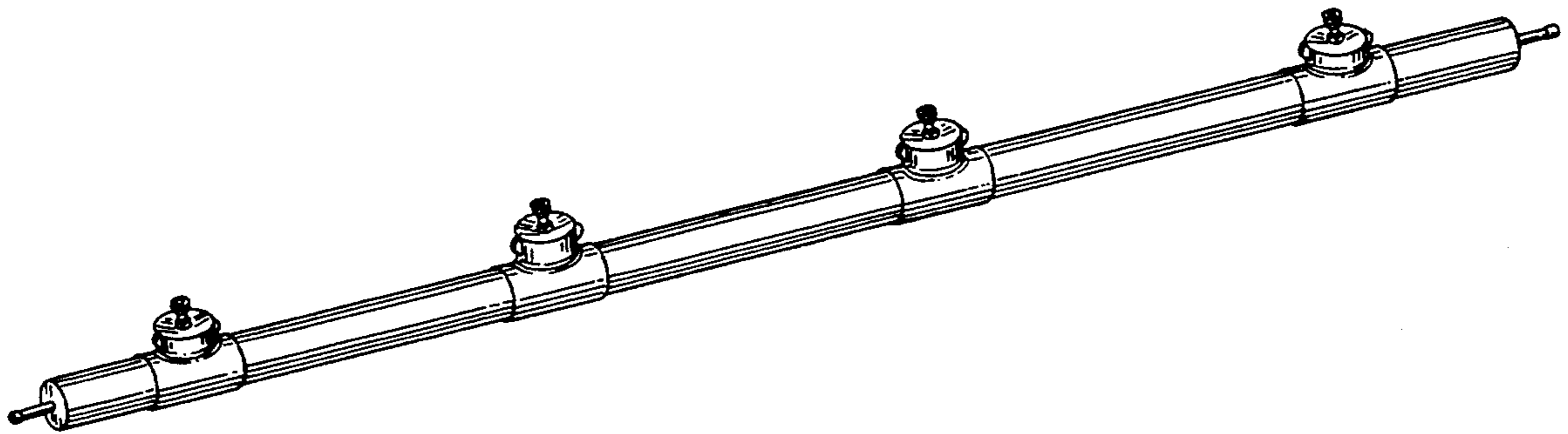
DESCRIPTION

[56] **References Cited**

U.S. PATENT DOCUMENTS

1,207,790	12/1916	Peterson	239/280
1,383,449	7/1921	Coles	239/550
2,985,232	5/1961	Greiner	239/282
3,335,964	8/1967	Singleton	239/550
3,379,373	4/1968	Roberts	239/581.1

FIG. 1 is a perspective view of a fog-making apparatus showing my new design;
FIG. 2 is a side elevational view thereof, with the opposite elevational view being a mirror image thereof;
FIG. 3 is a top plan view thereof;
FIG. 4 is a bottom plan view thereof; and,
FIG. 5 is an end elevational view thereof, with the opposite elevational view being a mirror image thereof.



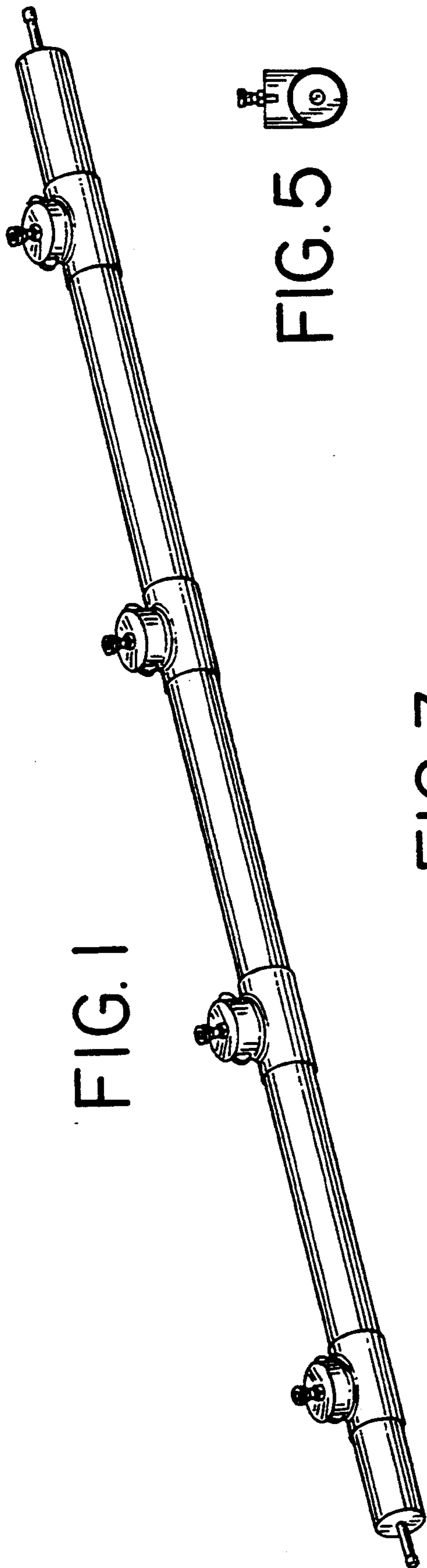


FIG. 1



FIG. 5

FIG. 3



FIG. 2

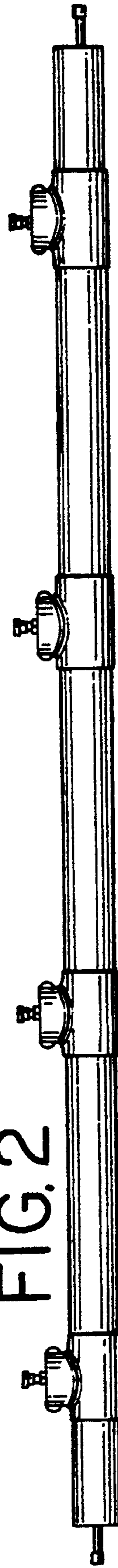


FIG. 4

