



US00D353872S

# United States Patent [19]

[11] Patent Number: **Des. 353,872**

Allman

[45] Date of Patent: **\*\* Dec. 27, 1994**

[54] **FLUID EMITTER FOR A DRIP IRRIGATION SYSTEM**

4,753,394 6/1988 Goodman ..... 239/276 X  
4,850,531 7/1989 Littleton ..... 239/542 X  
5,172,515 12/1992 Lapshansky, Jr. et al. .... 239/276 X

[76] Inventor: **Thomas Allman**, 961 Gromore Rd., Yakima, Wash. 98908

*Primary Examiner*—Wallace R. Burke  
*Assistant Examiner*—M. H. Tung  
*Attorney, Agent, or Firm*—Hugh E. Smith

[\*\*] Term: **14 Years**

[21] Appl. No.: **265**

[57] **CLAIM**

[22] Filed: **Oct. 9, 1992**

The ornamental design for a fluid emitter for a drip irrigation system, as shown and described.

[52] U.S. Cl. .... **D23/213; D8/2**

[58] Field of Search ..... **D23/200, 213-225; 239/193, 76, 271, 276, 542, 562, 571-572; D8/1, 2**

**DESCRIPTION**

[56] **References Cited**

**U.S. PATENT DOCUMENTS**

3,799,441 3/1974 Delmer ..... 239/542 X  
4,331,293 5/1982 Rangel-Garza ..... 239/542  
4,589,595 5/1986 Havens ..... 239/542 X  
4,732,329 3/1988 Martin ..... 239/542

FIG. 1 is a front elevational view of the fluid emitter for a drip irrigation system showing my new design; FIG. 2 is a rear elevational view thereof; FIG. 3 is a left side elevational view thereof; FIG. 4 is a right side elevational view thereof; FIG. 5 is a top plan view thereof on an enlarged scale; FIG. 6 is a bottom plan view thereof on an enlarged scale; and, FIG. 7 is an isometric view thereof.

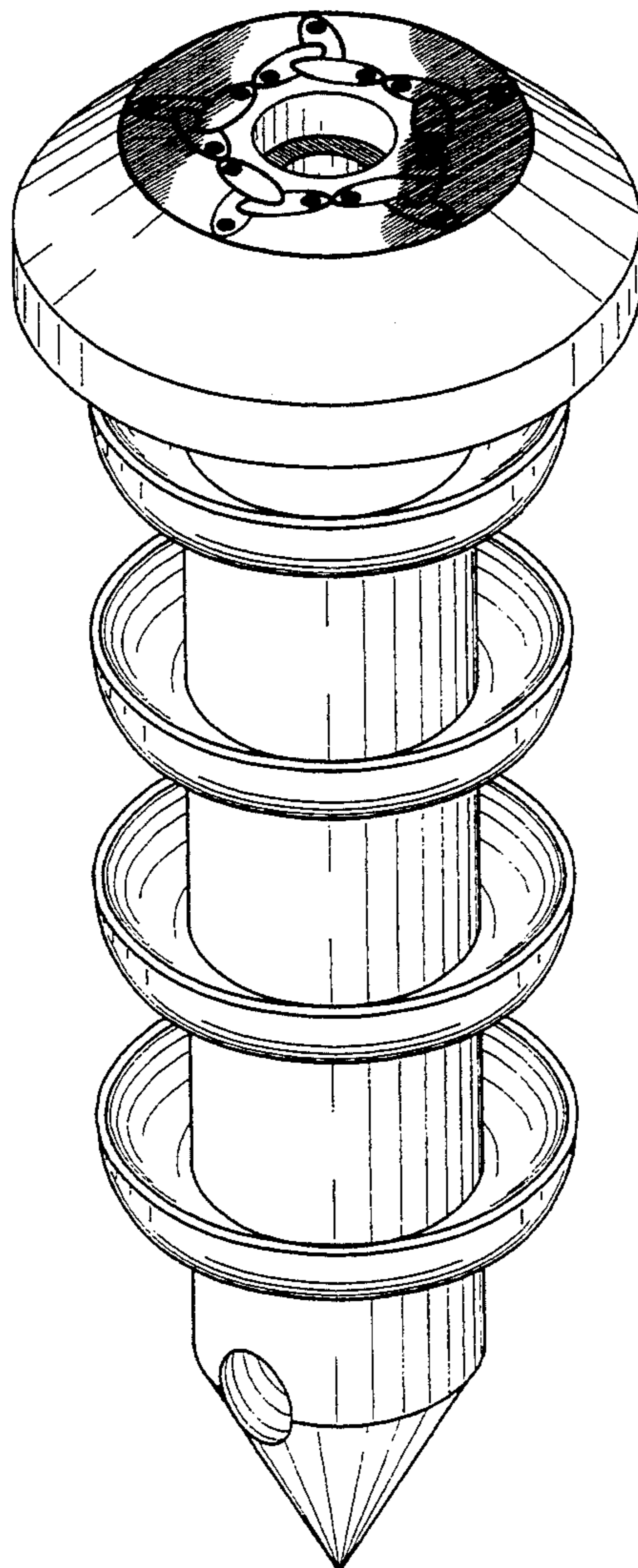


FIG. 1

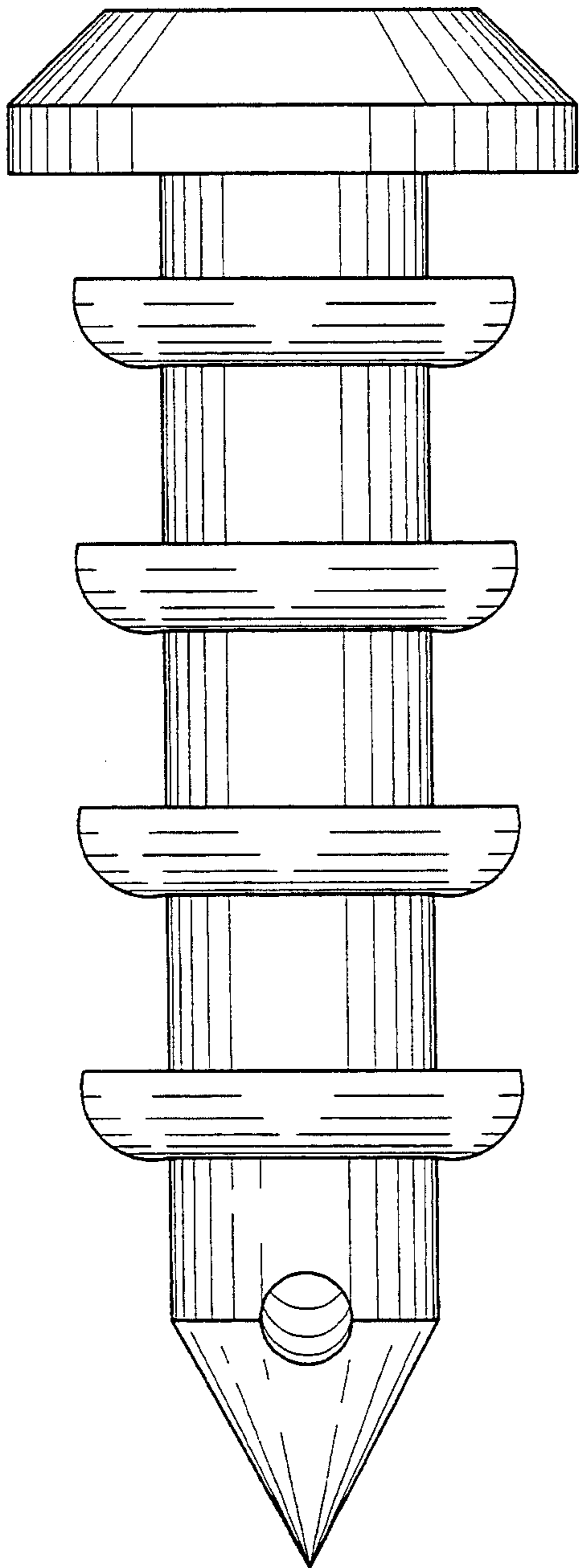


FIG. 2

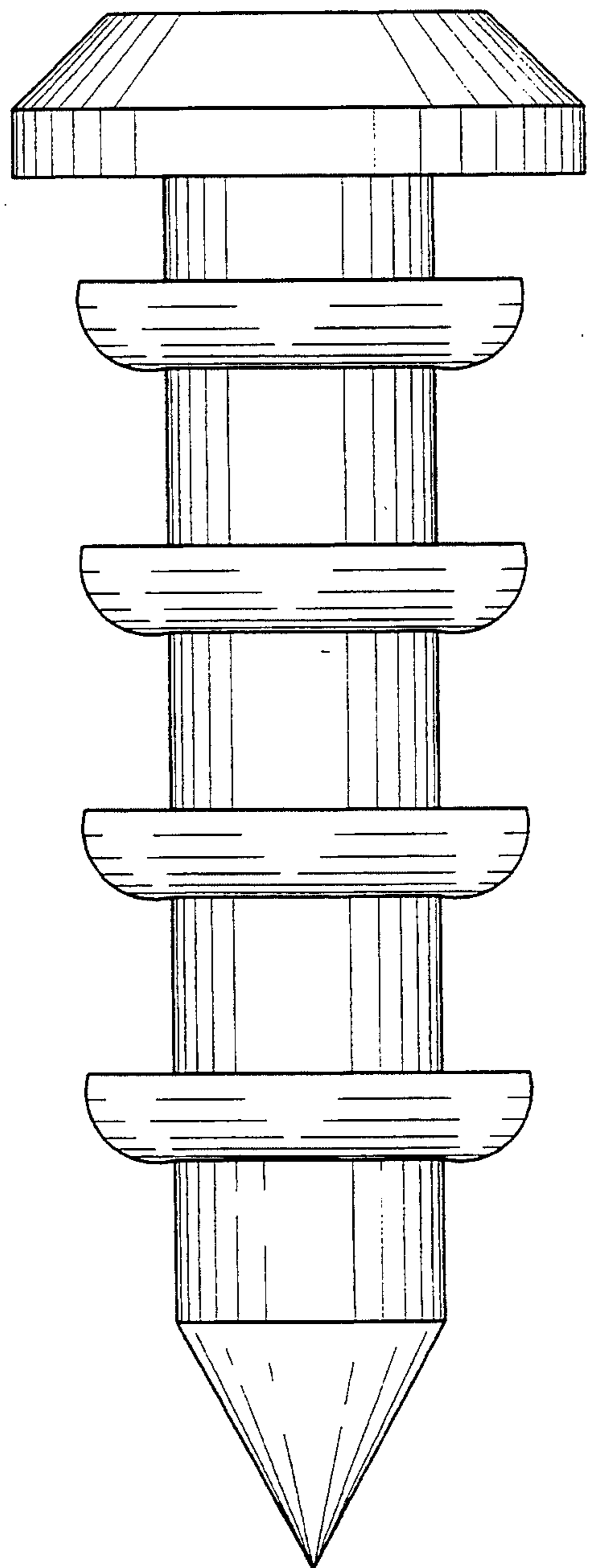


FIG. 3

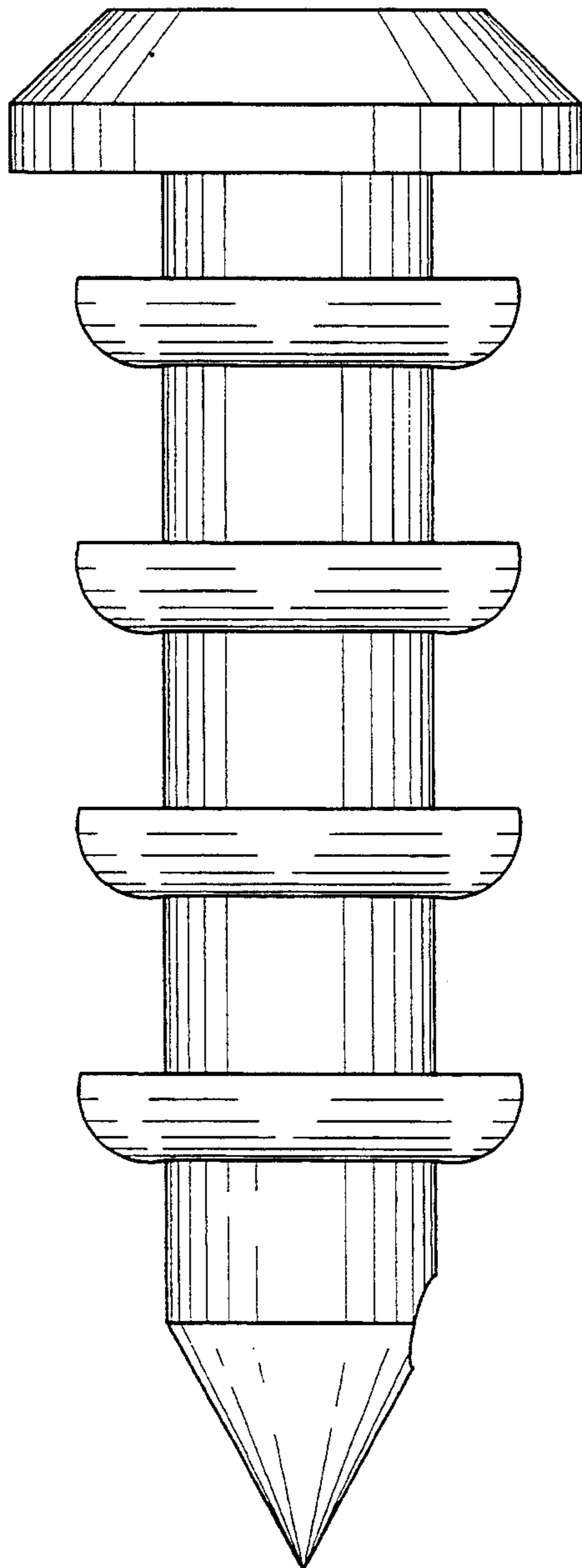


FIG. 4

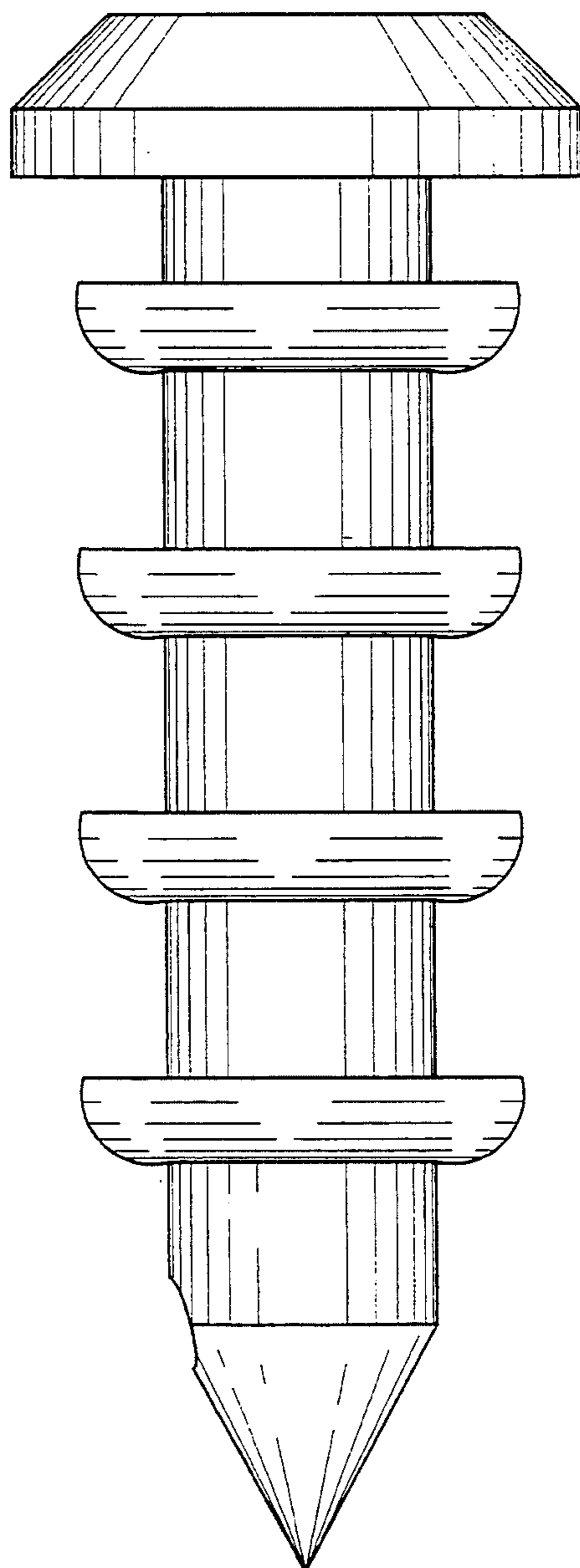


FIG. 5

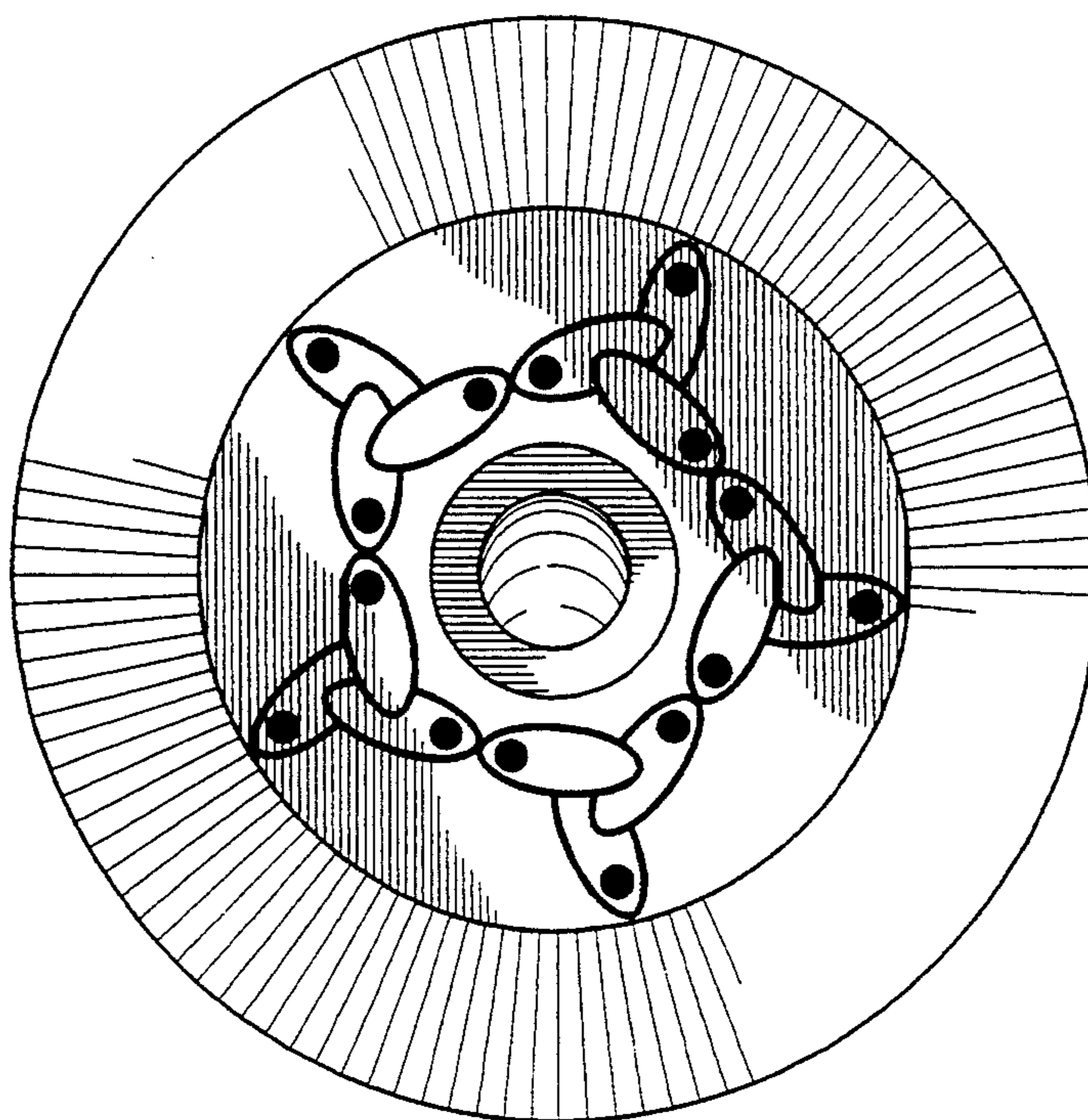


FIG. 6

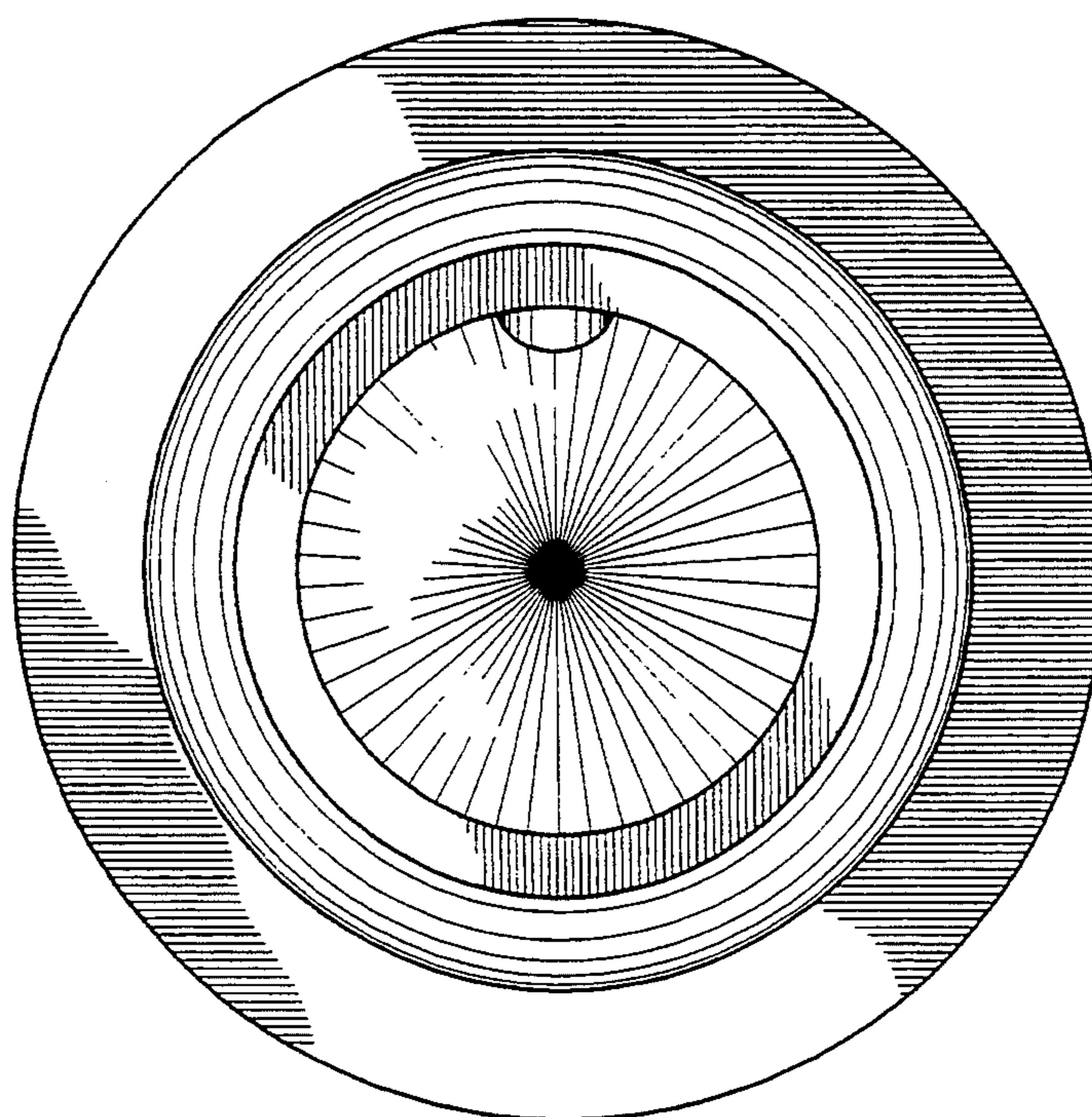


FIG. 7

