



US00D353870S

United States Patent [19]

[11] Patent Number: **Des. 353,870**

Asano et al.

[45] Date of Patent: **** Dec. 27, 1994**

[54] REEL FOR FISHING

D. 327,526 6/1992 Shiozaki D22/141

[75] Inventors: **Shin-ichi Asano, Musashino; Shinji Takeuchi; Tetsuya Shiozaki**, both of Higashikurume, all of Japan

Primary Examiner—A. Hugo Word
Assistant Examiner—Doris V. Coles
Attorney, Agent, or Firm—Bacon & Thomas

[73] Assignee: **Daiwa Seiko, Inc.**, Tokyo, Japan

[57] CLAIM

[**] Term: **14 Years**

The ornamental design for a reel for fishing, as shown.

[21] Appl. No.: **4,789**

DESCRIPTION

[22] Filed: **Feb. 16, 1993**

FIG. 1 is a rear, top and left side perspective view of a reel for fishing, showing our new design;

[30] Foreign Application Priority Data

FIG. 2 is a front, top and right side perspective view thereof;

Aug. 18, 1992 [JP] Japan 4-24478

[52] U.S. Cl. **D22/141**

FIG. 3 is a front, top and left side perspective view thereof;

[58] Field of Search D22/141; 242/245, 246, 242/242, 244, 230, 231, 232

FIG. 4 is a front, bottom, and right side perspective view thereof;

[56] References Cited

U.S. PATENT DOCUMENTS

- D. 300,766 4/1989 Inuma D22/141
- D. 316,443 4/1991 Yoshikawa et al. D22/141
- D. 326,499 5/1992 Nouma D22/141

FIG. 5 is a front elevational view thereof;

FIG. 6 is a left side elevational view thereof;

FIG. 7 is a rear elevational view thereof;

FIG. 8 is a top plan view thereof;

FIG. 9 is a right side elevational view thereof; and,

FIG. 10 is a bottom plan view thereof.

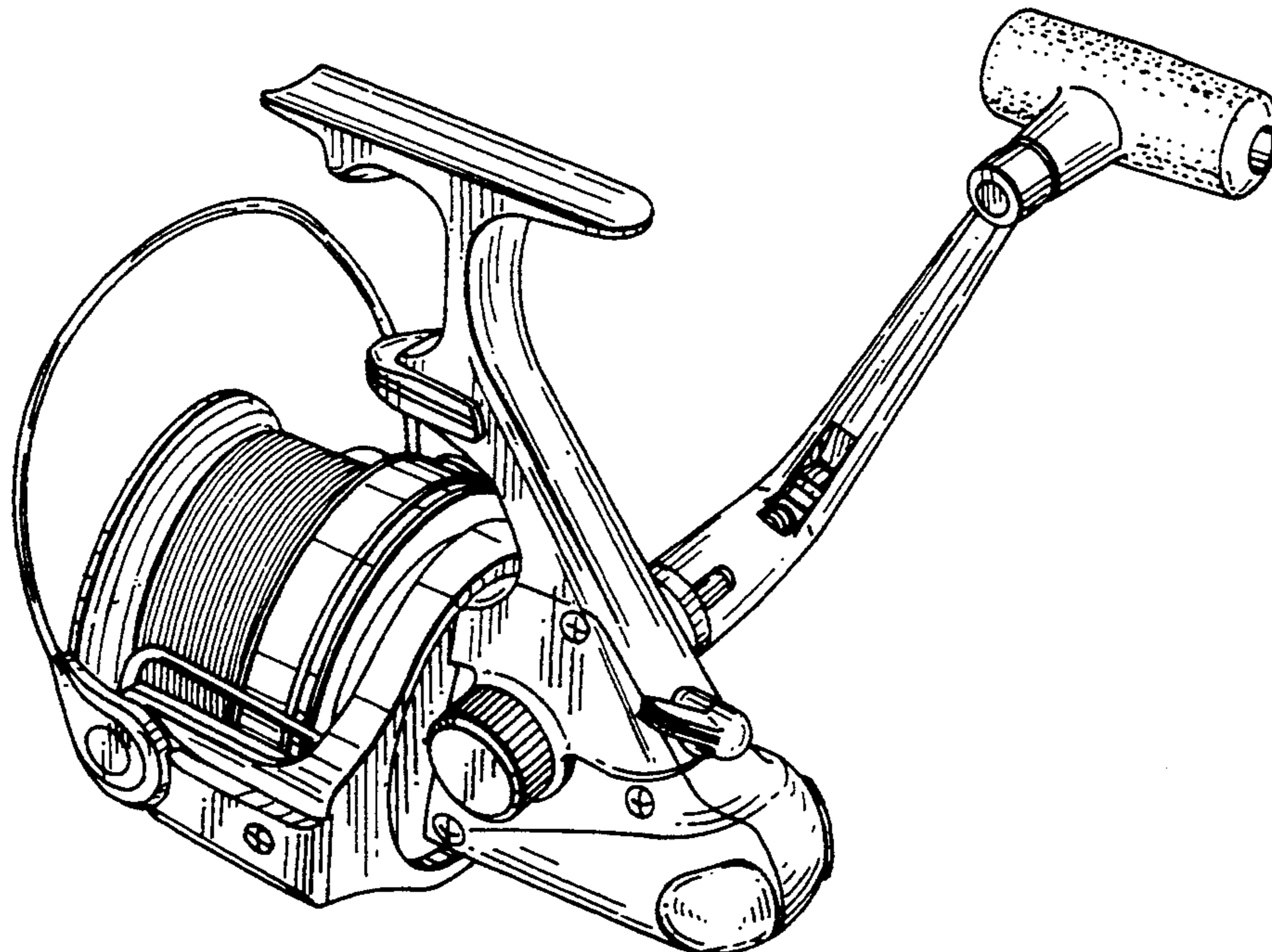


FIG. 1

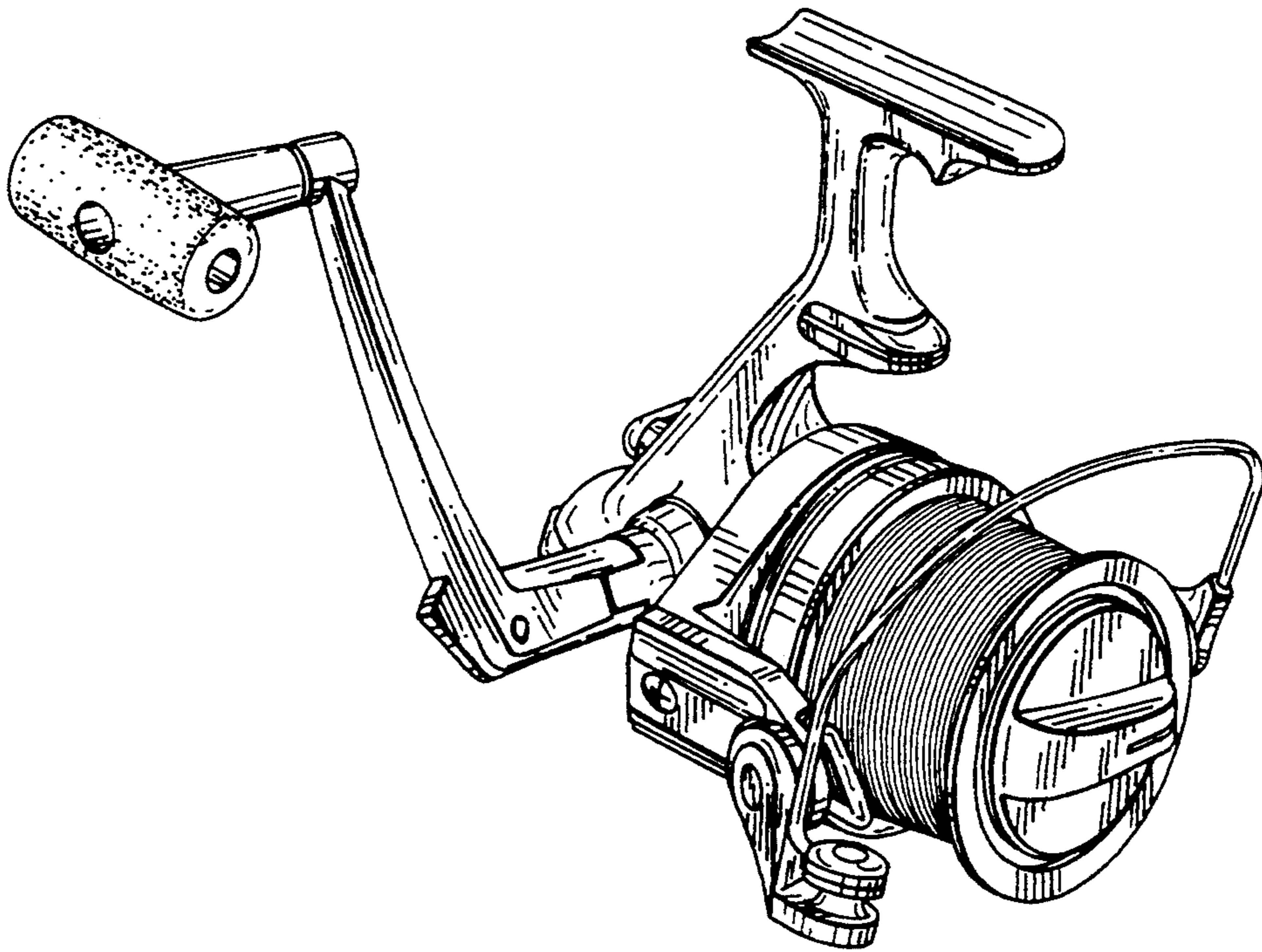


FIG. 2

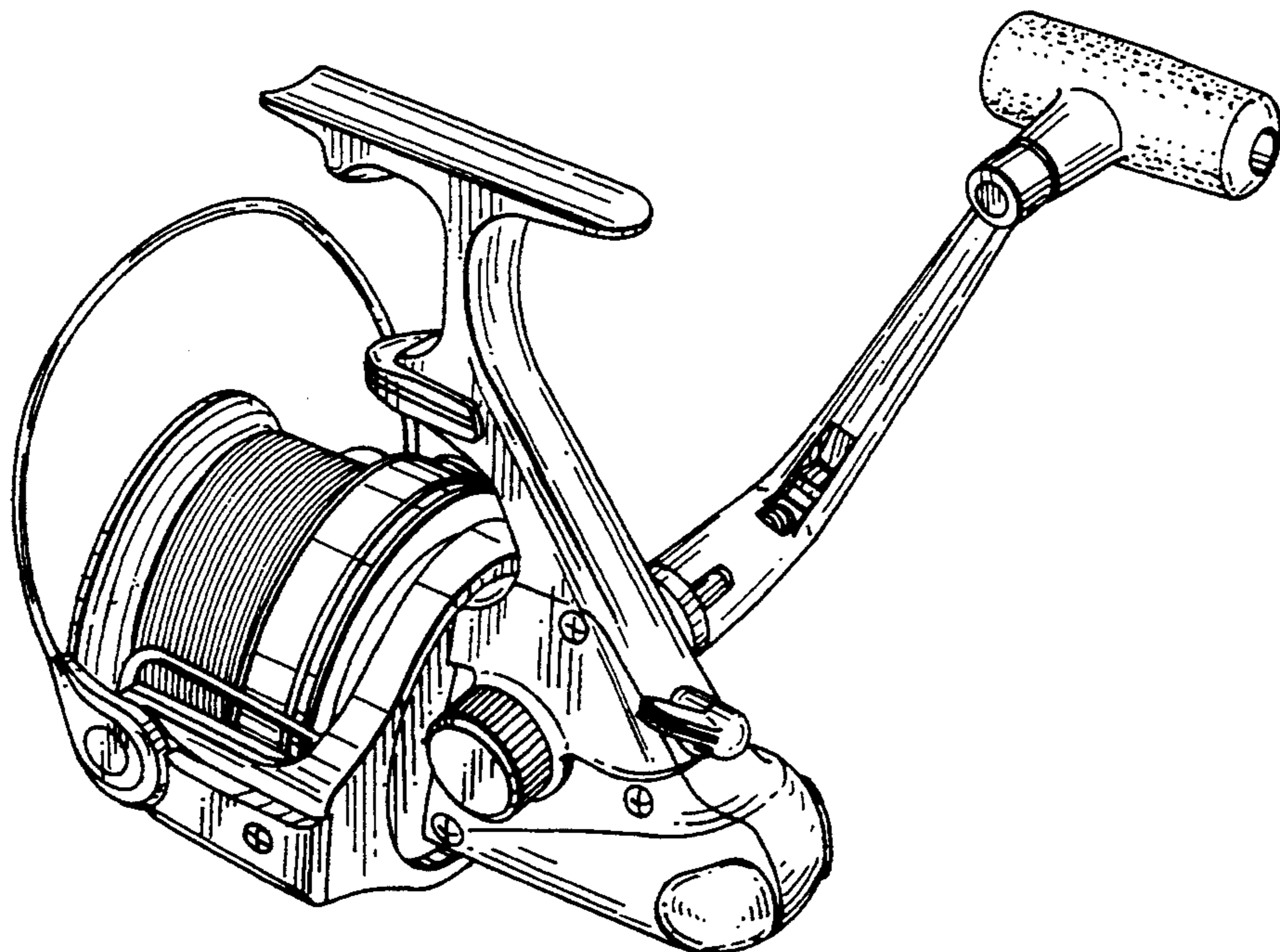


FIG. 3

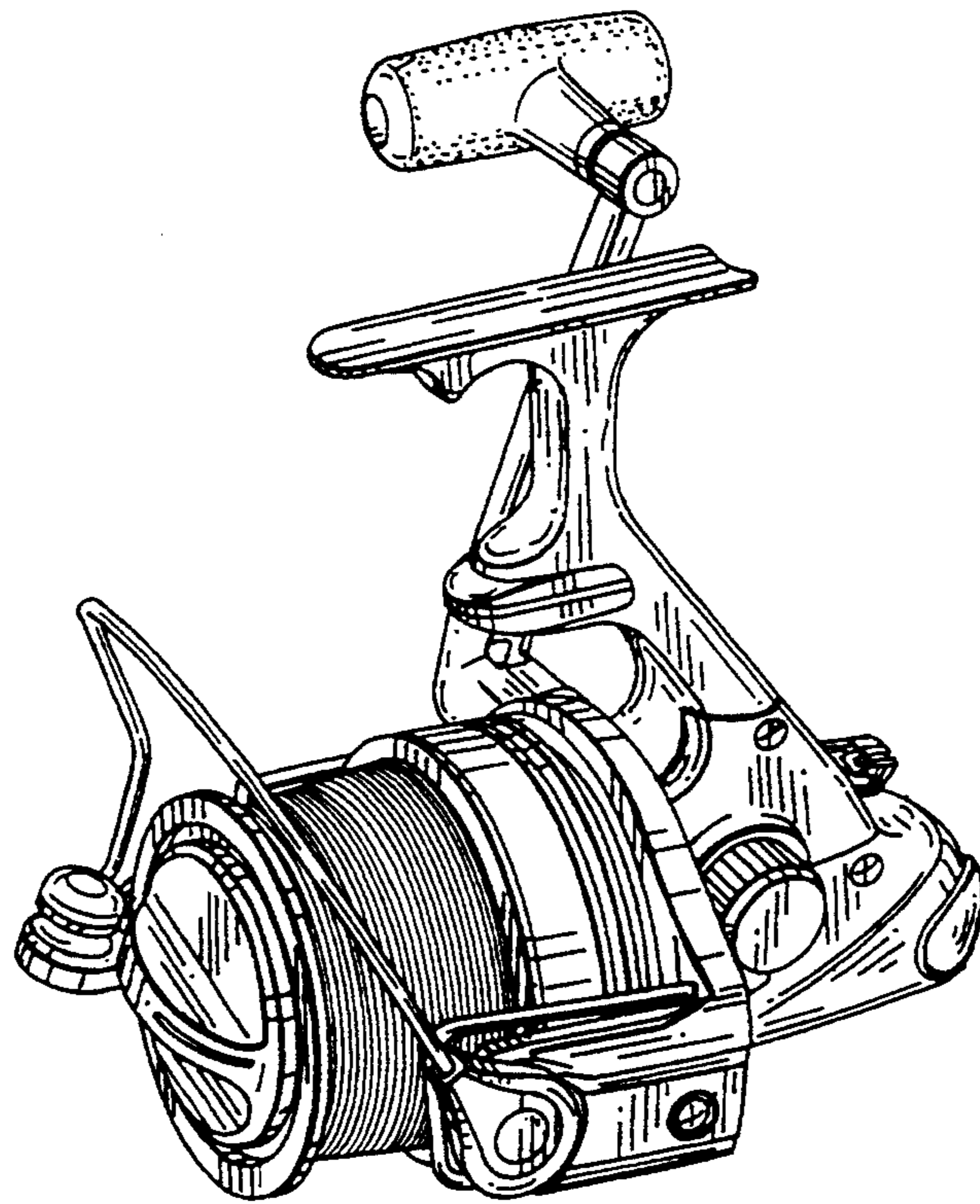


FIG. 4

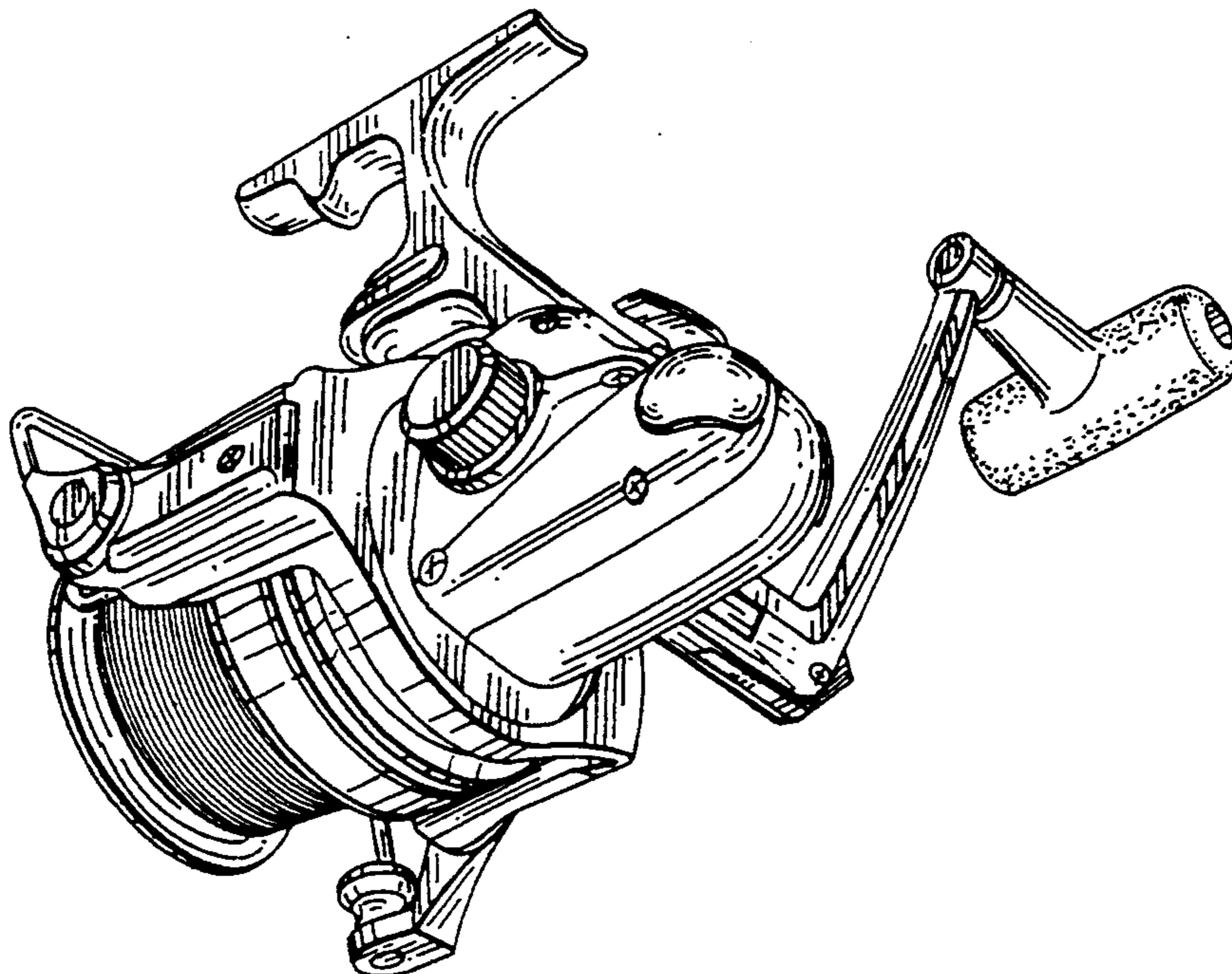


FIG. 5

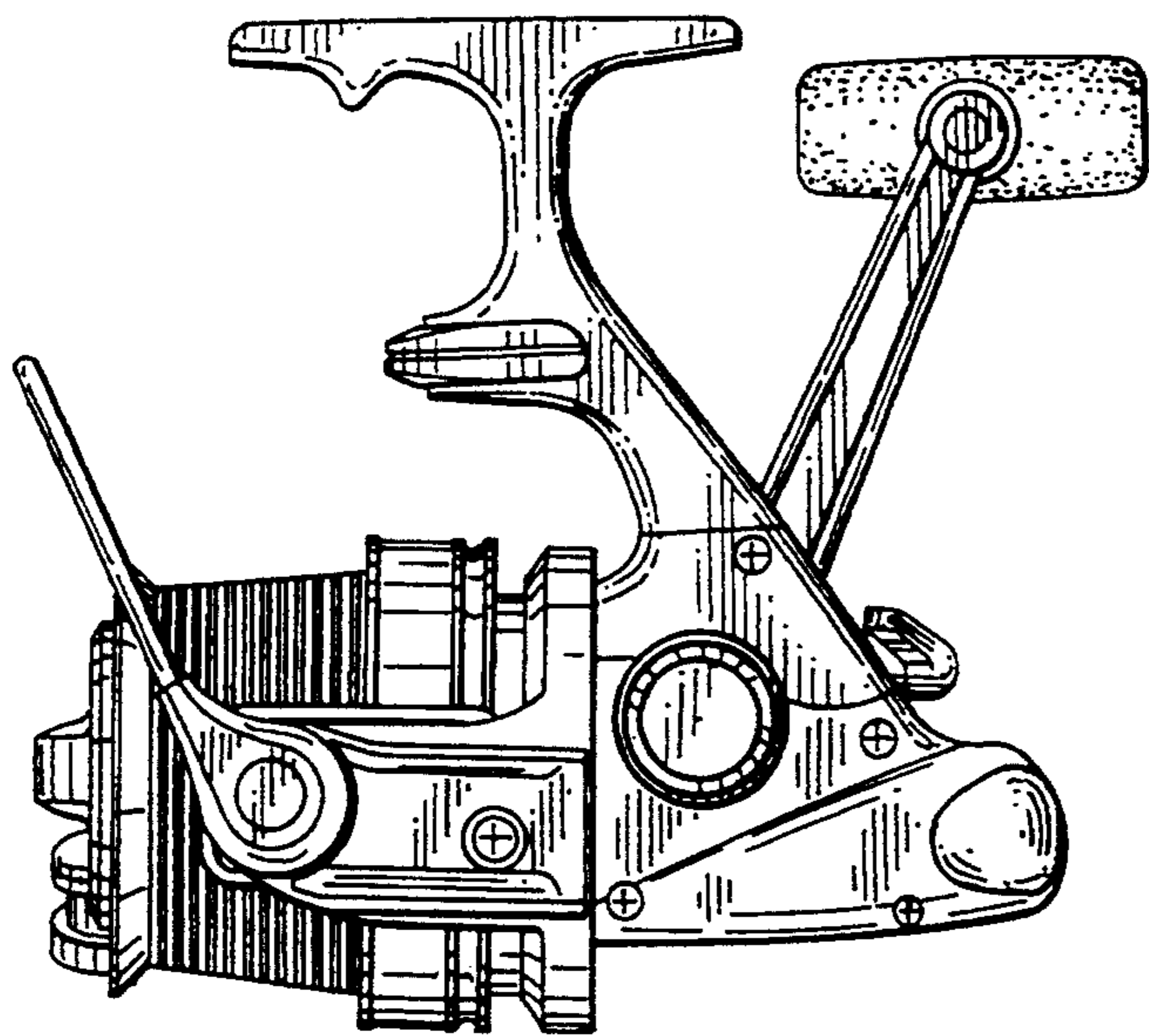


FIG. 6

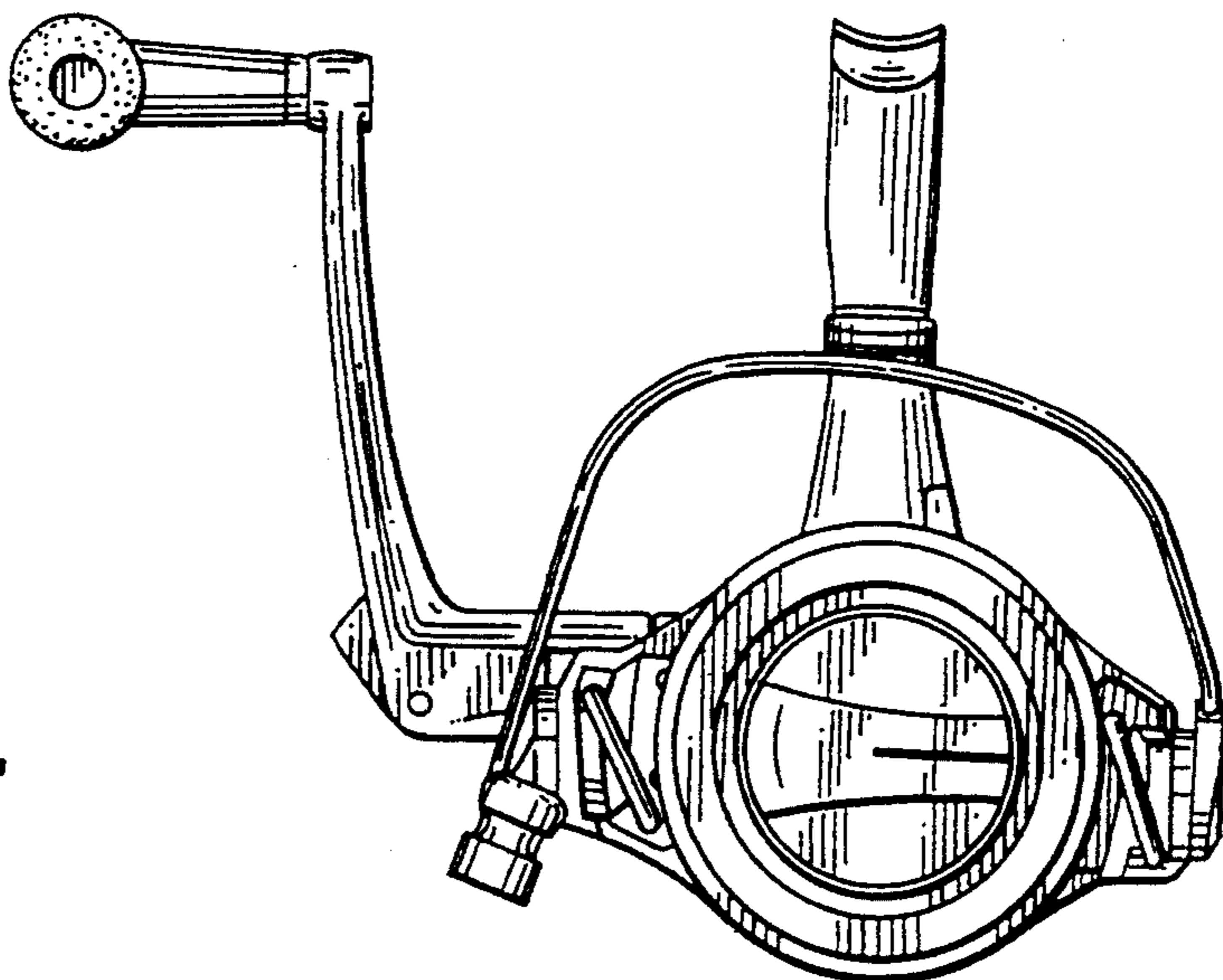


FIG. 7

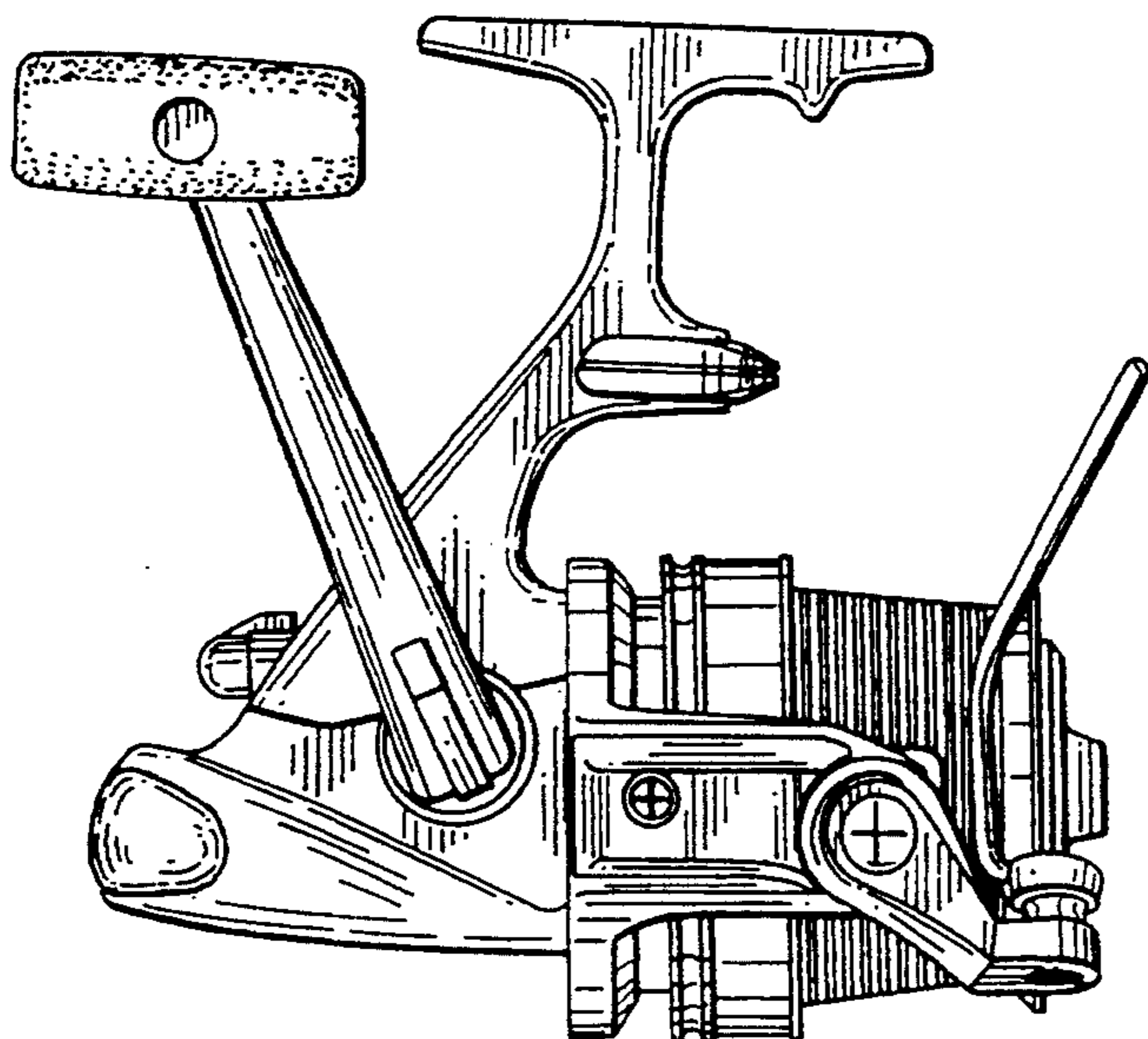


FIG. 8

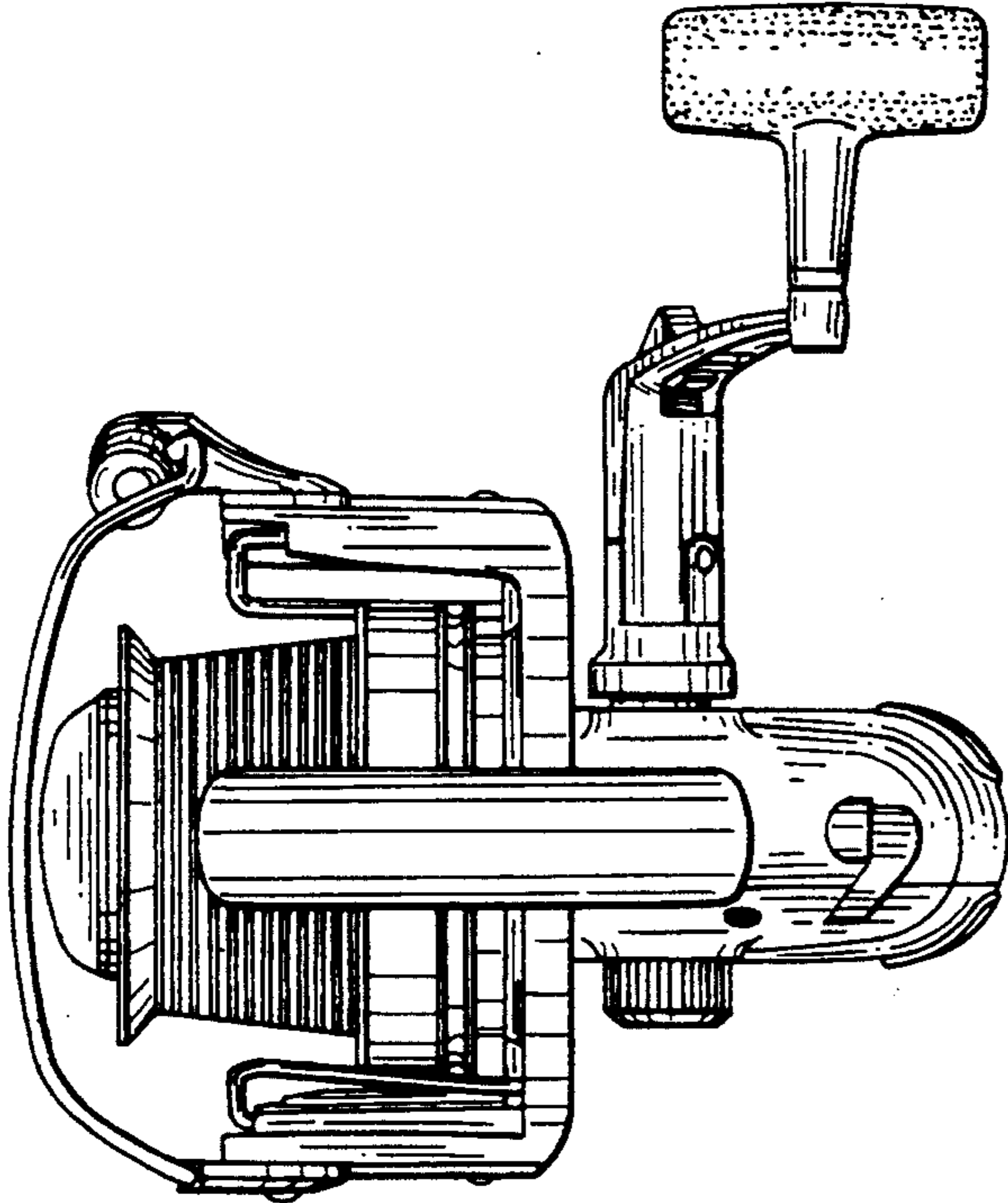


FIG. 9

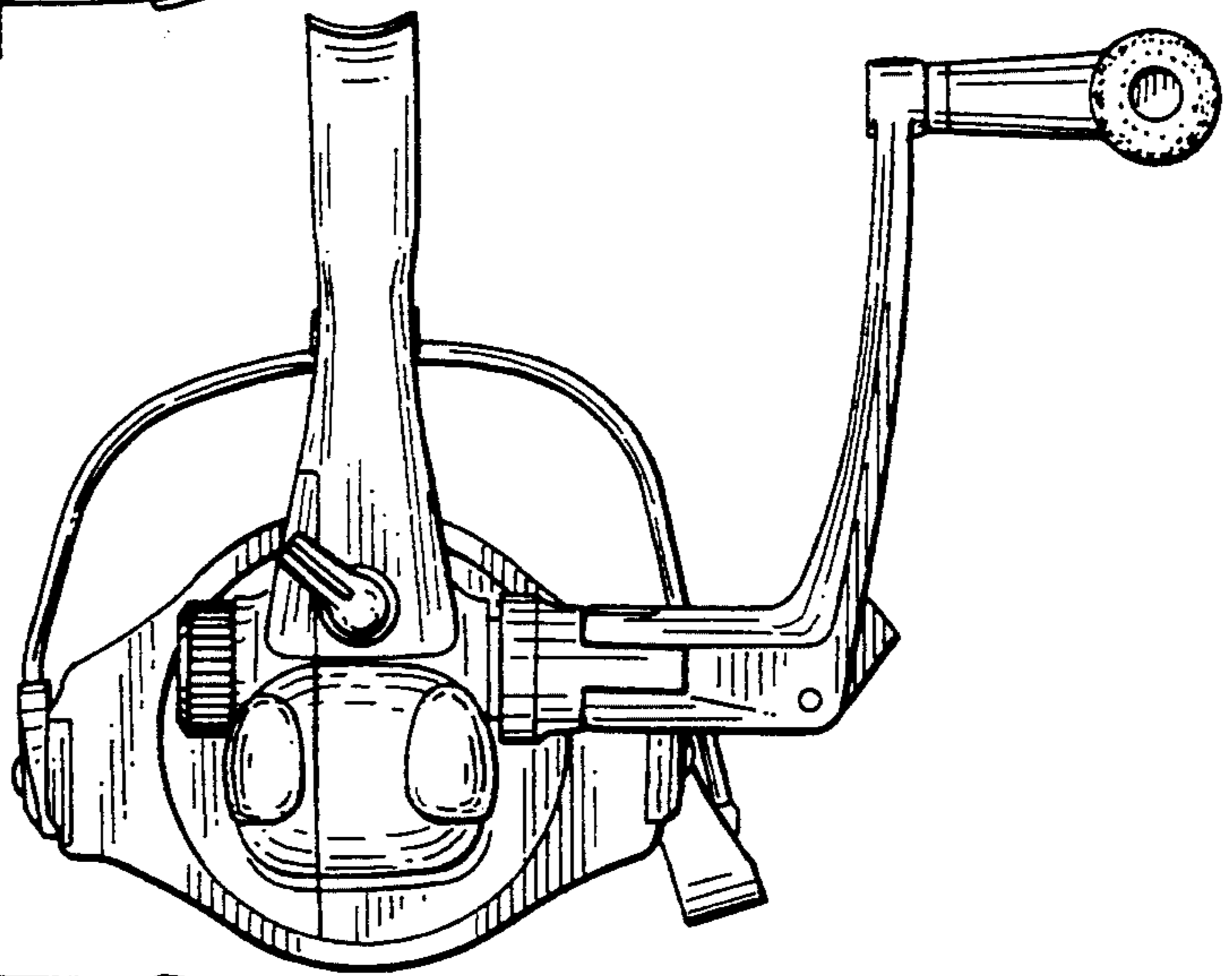


FIG. 10

