



US00D353869S

# United States Patent [19] Park

[11] Patent Number: **Des. 353,869**

[45] Date of Patent: **\*\* Dec. 27, 1994**

[54] **SPOOL FOR FISHING REELS**  
[75] Inventor: **Bo K. Park**, Busan, Rep. of Korea  
[73] Assignee: **Silver Star Co., Ltd.**, Busan, Rep. of Korea

[\*\*] Term: **14 Years**  
[21] Appl. No.: **1,133**  
[22] Filed: **Nov. 5, 1992**

[30] **Foreign Application Priority Data**  
Sep. 1, 1992 [KR] Rep. of Korea ..... 14801/1992  
[52] U.S. Cl. .... **D22/137**  
[58] Field of Search ..... D22/137, 134; 8/358;  
242/118.4, 106, 322, 129.7, 118.7, 319, 312,  
118.6

[56] **References Cited**  
**U.S. PATENT DOCUMENTS**  
D. 274,832 7/1984 Sugimoto ..... D22/137

D. 290,986 7/1987 Yamaguchi ..... D22/137  
2,438,440 3/1948 Hirsch ..... 242/118.4  
2,985,402 5/1961 Hocahan, Jr. .... 242/118.4  
3,870,245 3/1975 Witteborg, Jr. .... 242/322 X  
4,746,079 5/1988 Newell ..... 242/118.4 X  
4,856,730 8/1989 Jorgensen ..... 242/118.4

*Primary Examiner*—A. Hugo Word  
*Assistant Examiner*—Doris V. Coles  
*Attorney, Agent, or Firm*—Beveridge, DeGrandi,  
Weilacher & Young

[57] **CLAIM**  
The ornamental design for a spool for fishing reels, as shown.

**DESCRIPTION**  
FIG. 1 is a perspective view thereof;  
Fig. 2 is a top plan view thereof;  
FIG. 3 is a front elevational view thereof;  
FIG. 4 is a left side elevational view thereof; and,  
FIG. 5 is a right side elevational view thereof.

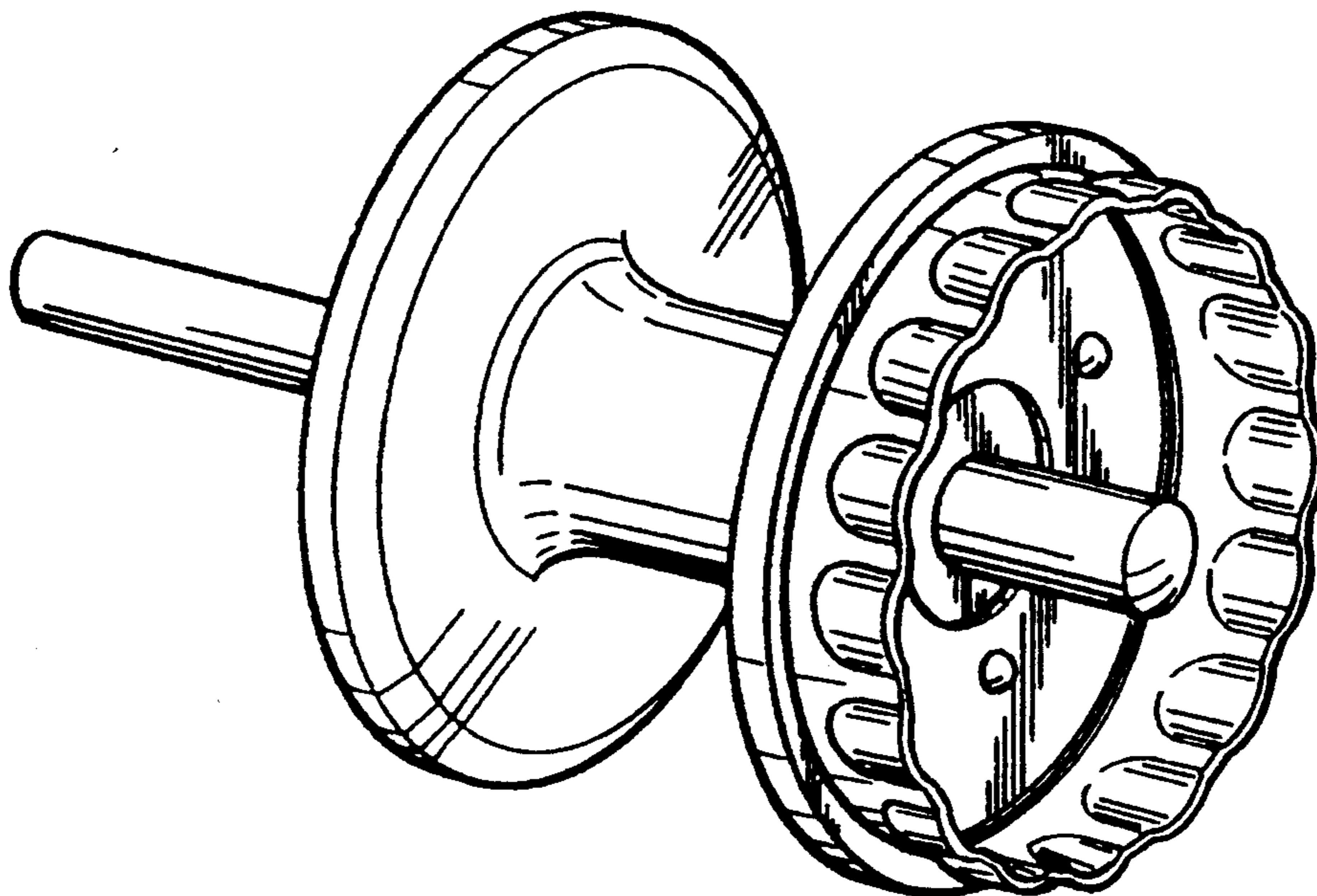


FIG. 1

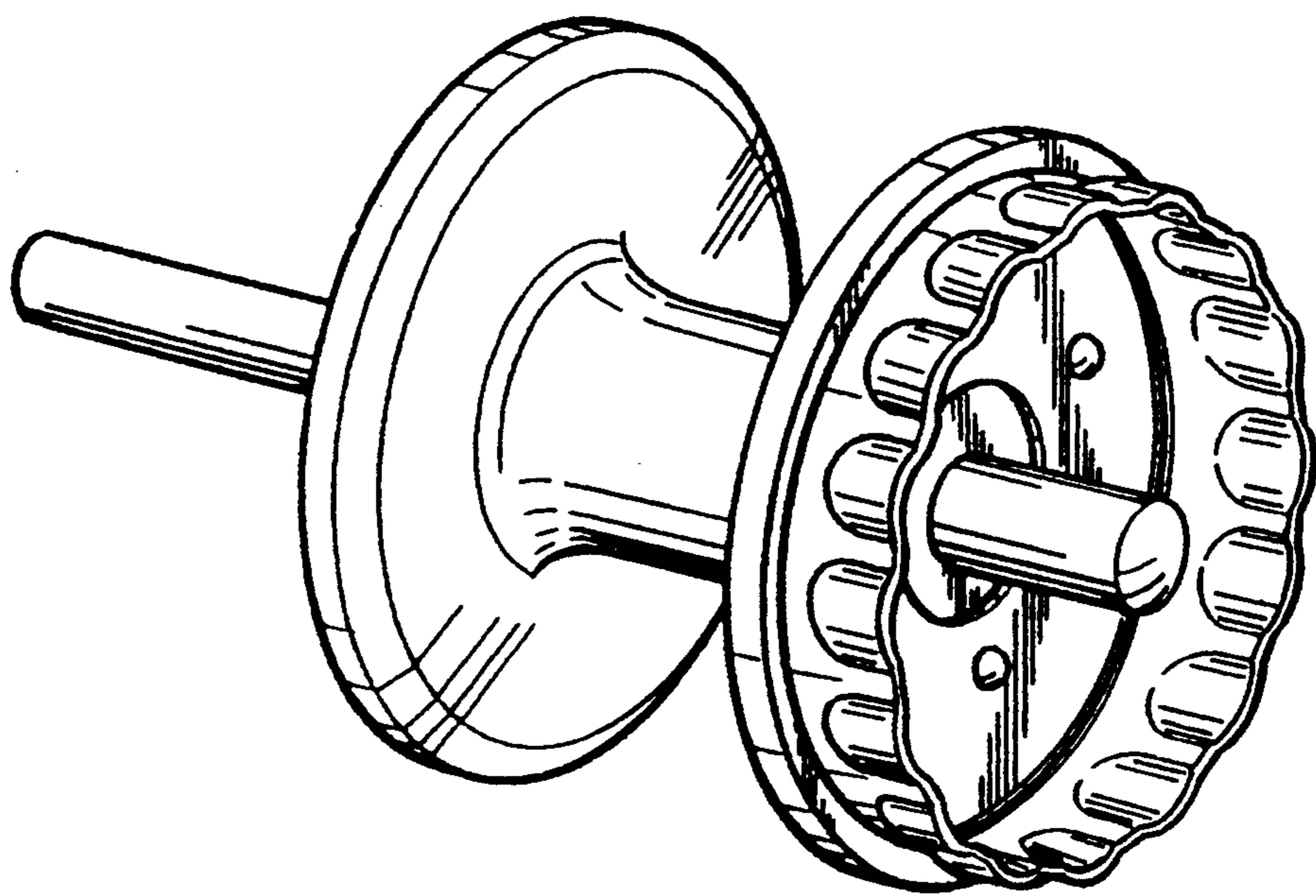


FIG. 2

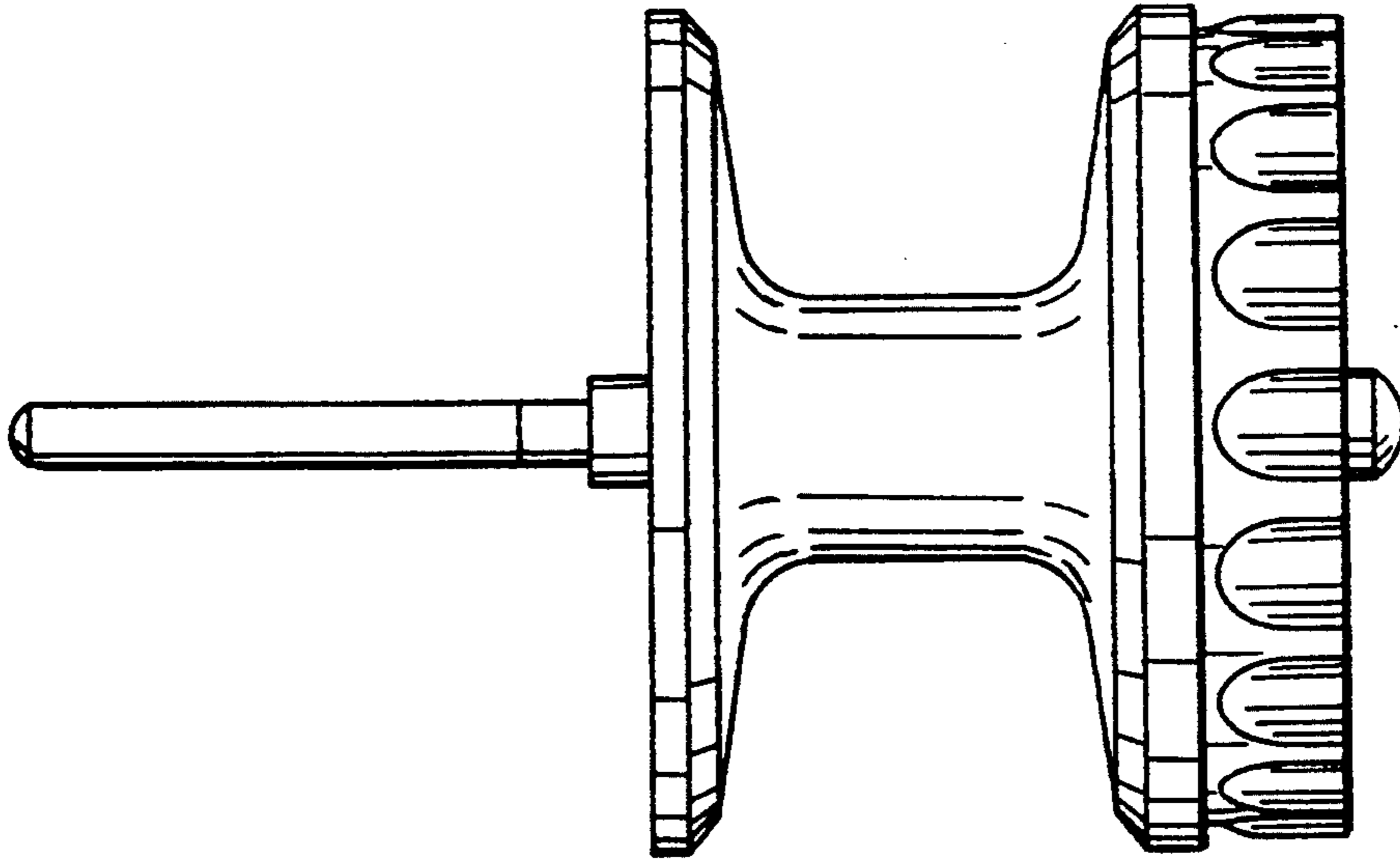


FIG. 3

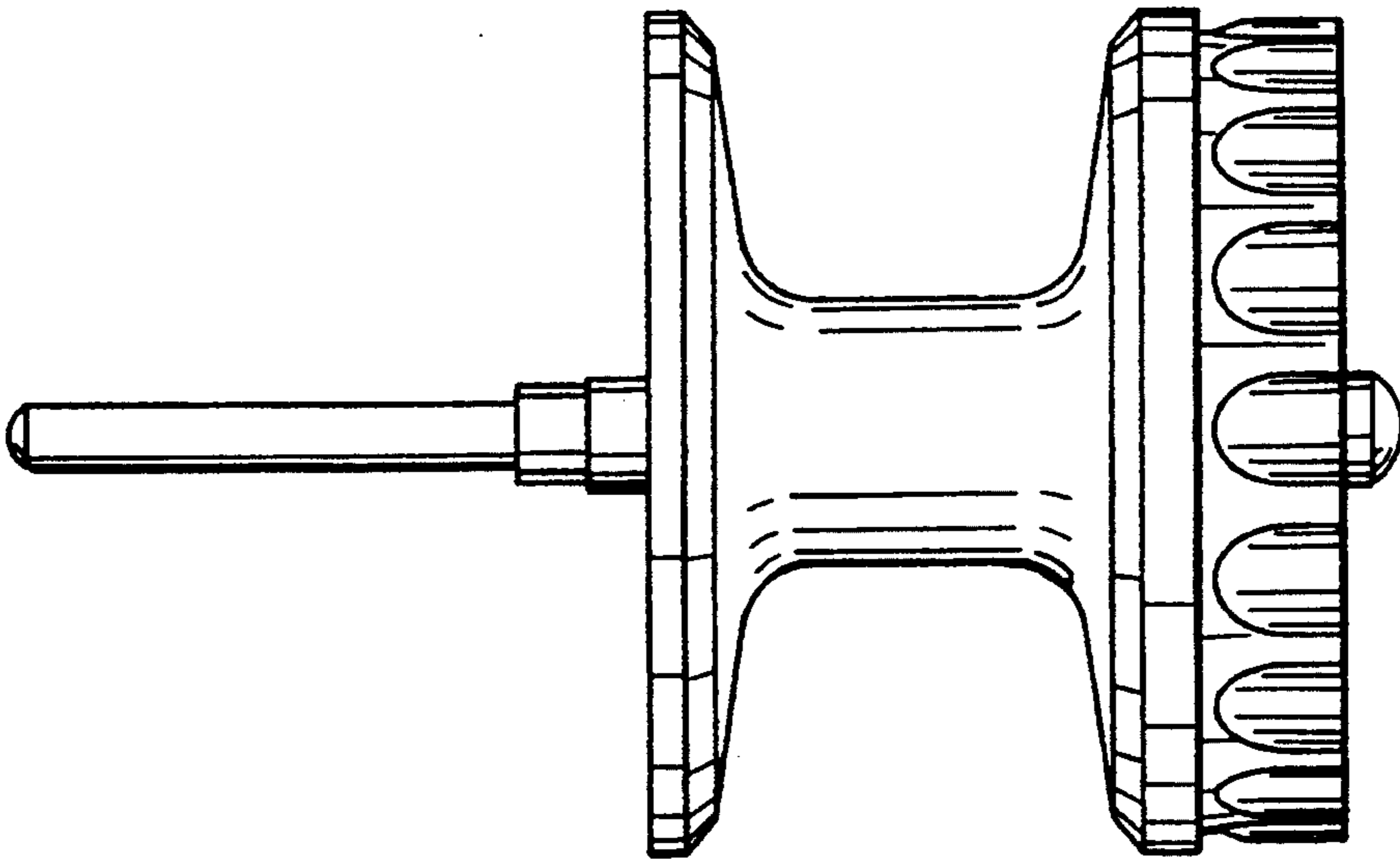


FIG. 4

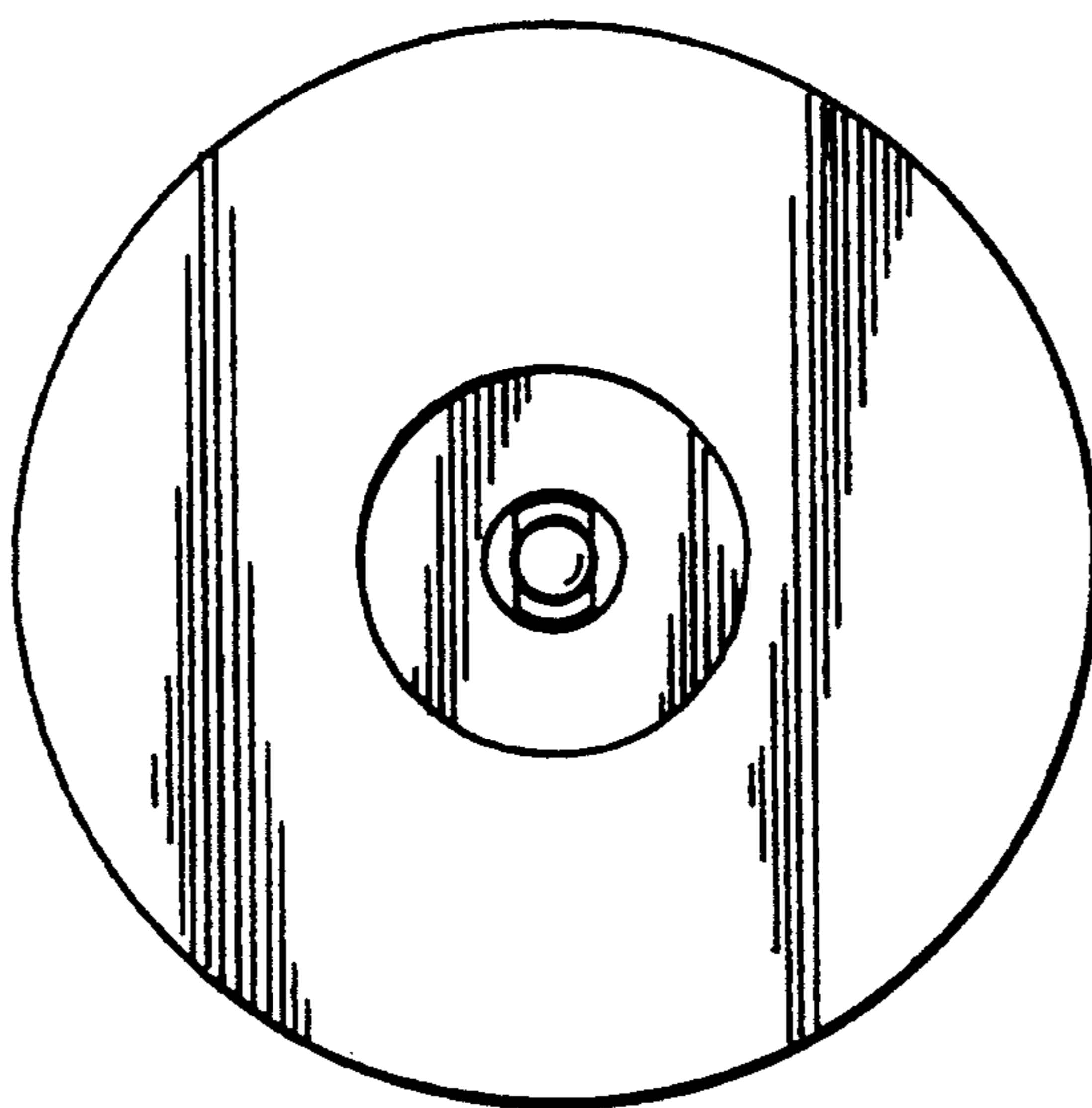


FIG. 5

