



US00D353867S

United States Patent [19]

[11] Patent Number: **Des. 353,867**

Houry et al.

[45] Date of Patent: **** Dec. 27, 1994**

- [54] **ARCHED RECTANGULAR PANEL FOR PLAYGROUND STRUCTURE**
- [75] Inventors: **Robert L. Houry; Keith D. Ratliff**, both of Farmington, Mo.
- [73] Assignee: **The Little Tikes Company**, Hudson, Ohio
- [**] Term: **14 Years**
- [21] Appl. No.: **14,992**
- [22] Filed: **Nov. 8, 1993**
- [52] U.S. Cl. **D21/240**
- [58] Field of Search **D21/240, 244, 245, 109; 482/35; 446/314, 124, 125**

Box 549, 660 Van Dyne Road, Fond du Lac, Wis. 54936-0594. Publication date 1992.
 Catalog page, Climber, Gametime, Inc., P.O. Box 121, Fort Payne, Ala. 35967. Publication date 1990.
 Catalog page, Climber, Gametime, Inc., P.O. Box 121, Fort Payne, Ala. 35967. Publication date 1992.
 P. 7, Climber, Gametime, Inc., P.O. Box 121, Fort Payne, Ala. 35967. Publication date 1991.
 P. 69, Climber, Kompan, Inc., R.D. #2, Box 249, Marathon, N.Y. 13803. Publication date 1991.
 PP. 16 and 28, Climber, Landscape Structures, Inc., 601 7th Street South, Delano, Minn. 55328. Publication date Dec., 1992.
 P. 47, Panels, Miracle Recreation Equipment Company, P.O. Box 420 Monett, Mo. 65708. Publication date 1992.
 P. 30, Panels, Play Designs, P.O. Box 427, 315 Cherry Street, New Berlin, Pa. 17855. Publication date 1992.

- [56] **References Cited**
- U.S. PATENT DOCUMENTS**
- | | | | |
|------------|---------|----------------------|-----------|
| D. 285,585 | 9/1986 | Murdough et al. | D21/108 |
| D. 285,586 | 9/1986 | Murdough et al. | D21/108 |
| D. 285,587 | 9/1986 | Murdough et al. | D21/108 |
| D. 303,826 | 10/1989 | Aker | D21/244 |
| D. 314,407 | 2/1991 | Wentling | D21/109 |
| D. 334,610 | 4/1993 | Aker | D21/244 |
| D. 343,438 | 1/1994 | Fish, Jr. | D21/244 |
| 3,485,494 | 12/1969 | Lieberman | D21/245 X |
| 3,561,757 | 2/1971 | Schillig | D21/245 X |
| 3,949,985 | 4/1976 | Stampfli | 482/35 |
| 4,369,965 | 1/1983 | Ahrens | D21/244 X |

Primary Examiner—Bernard Ansher
Assistant Examiner—Mitchell I. Siegel
Attorney, Agent, or Firm—Richard B. O'Planick; Lisa B. Riedesel

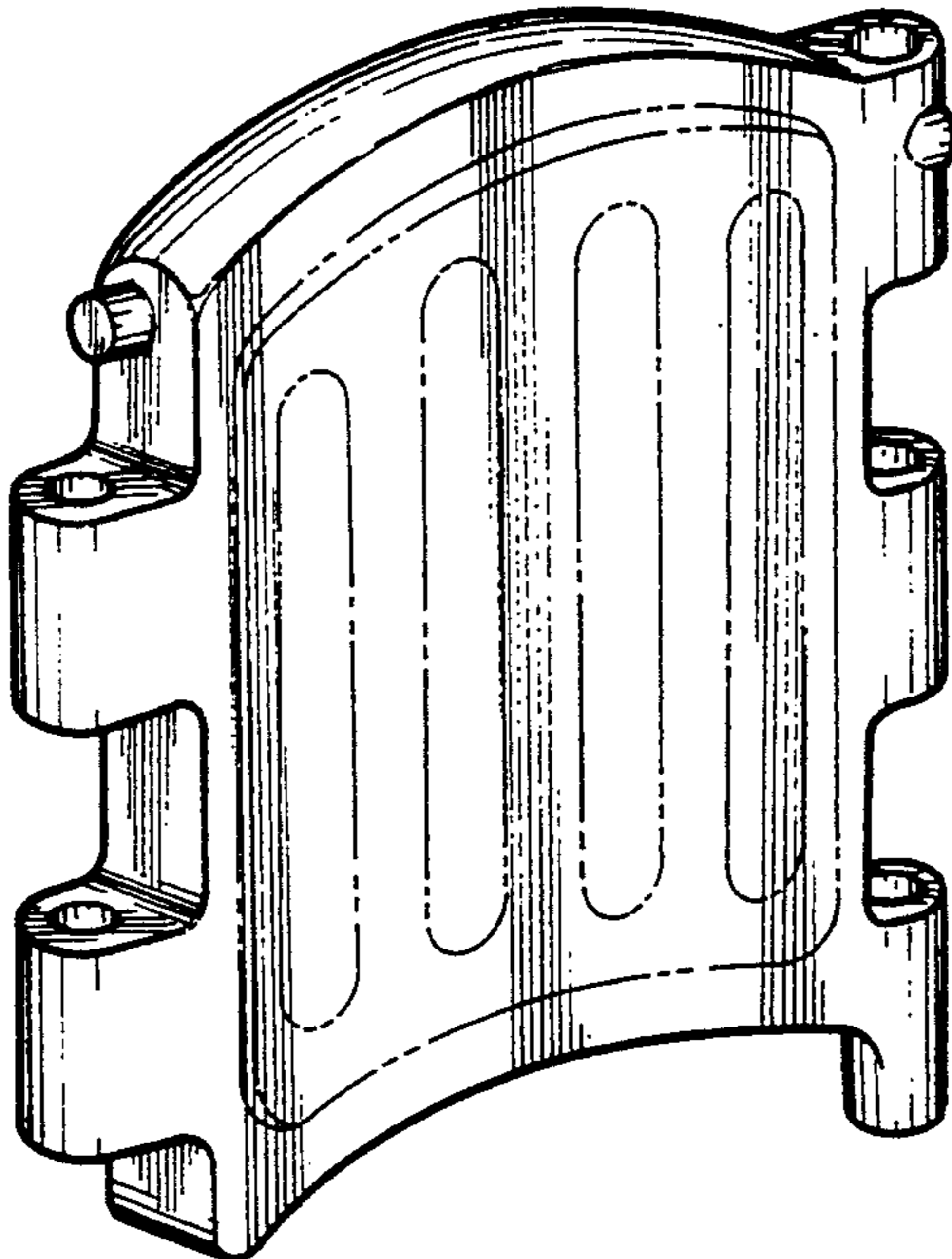
- OTHER PUBLICATIONS**
- P. 86, Safety panel; Iron Mountain Forge, P.O. Box 897, One Iron Mountain Drive, Farmington, MO 63640o.14 8097. Publication date 1992.
 P. 18, Bubble Panel, Big Toys, 7717 New Market Street, Olympia, Wash. 98501; Publication date Jan. 1991.
 PP. 20, 21 and 31, Climber, Burke Company, Inc., P.O.

[57] **CLAIM**

The ornamental design for an arched rectangular panel for playground structure, as shown and described.

DESCRIPTION

FIG. 1 is a top left front perspective view of an arched rectangular panel for playground structure showing our new design;
 FIG. 2 is a top plan view thereof;
 FIG. 3 is a bottom plan view thereof;
 FIG. 4 is a front elevational view thereof;
 FIG. 5 is a left side elevational view thereof;
 FIG. 6 is a right side elevational view thereof; and,
 FIG. 7 is a rear elevational view thereof.
 The broken line showing of openings are for illustrative purposes only and forms no part of the claimed design.



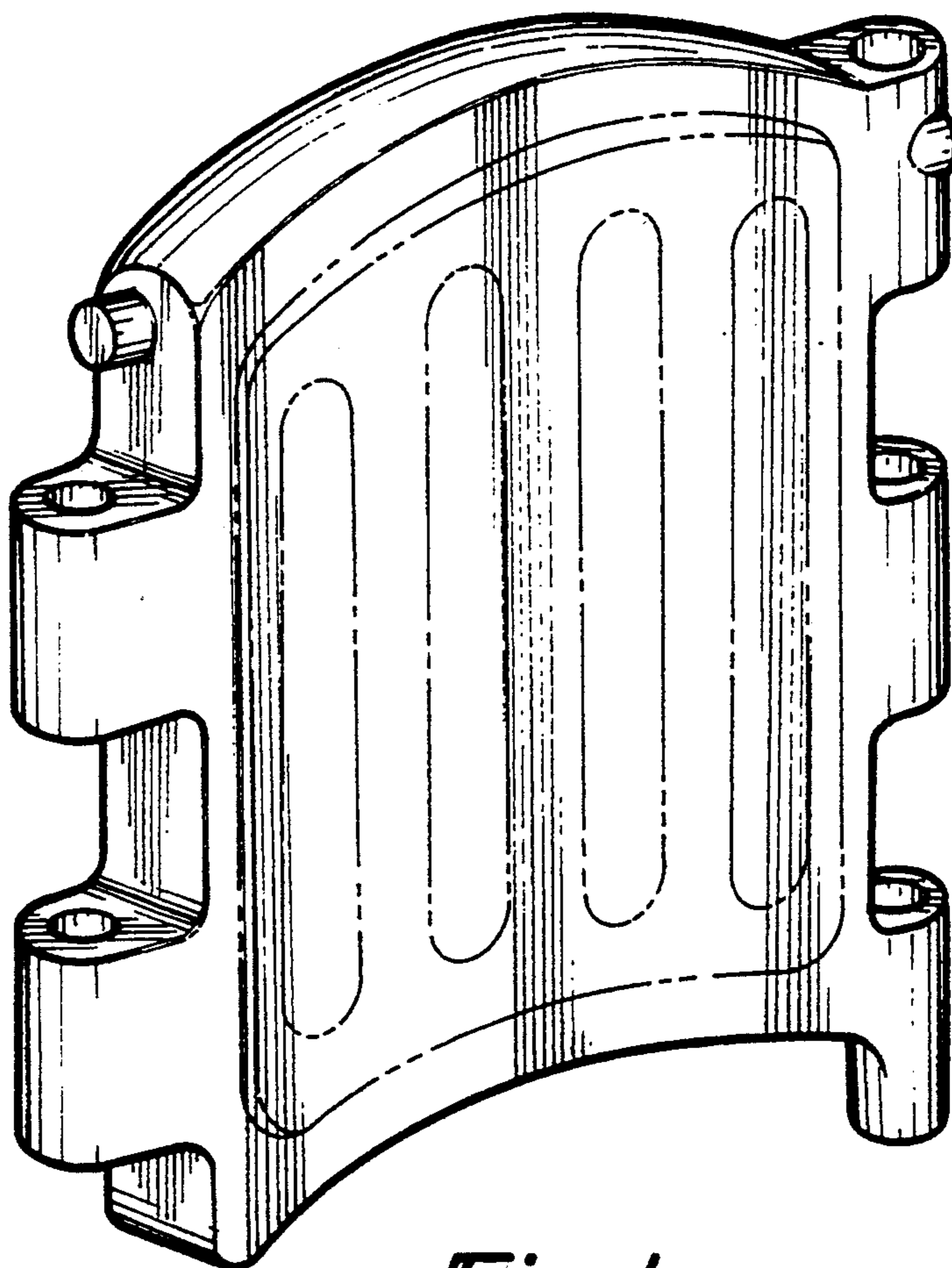


Fig-1



Fig-2

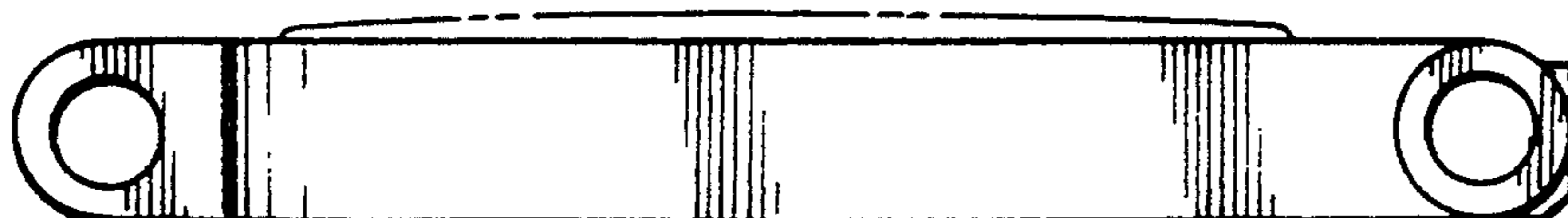


Fig-3

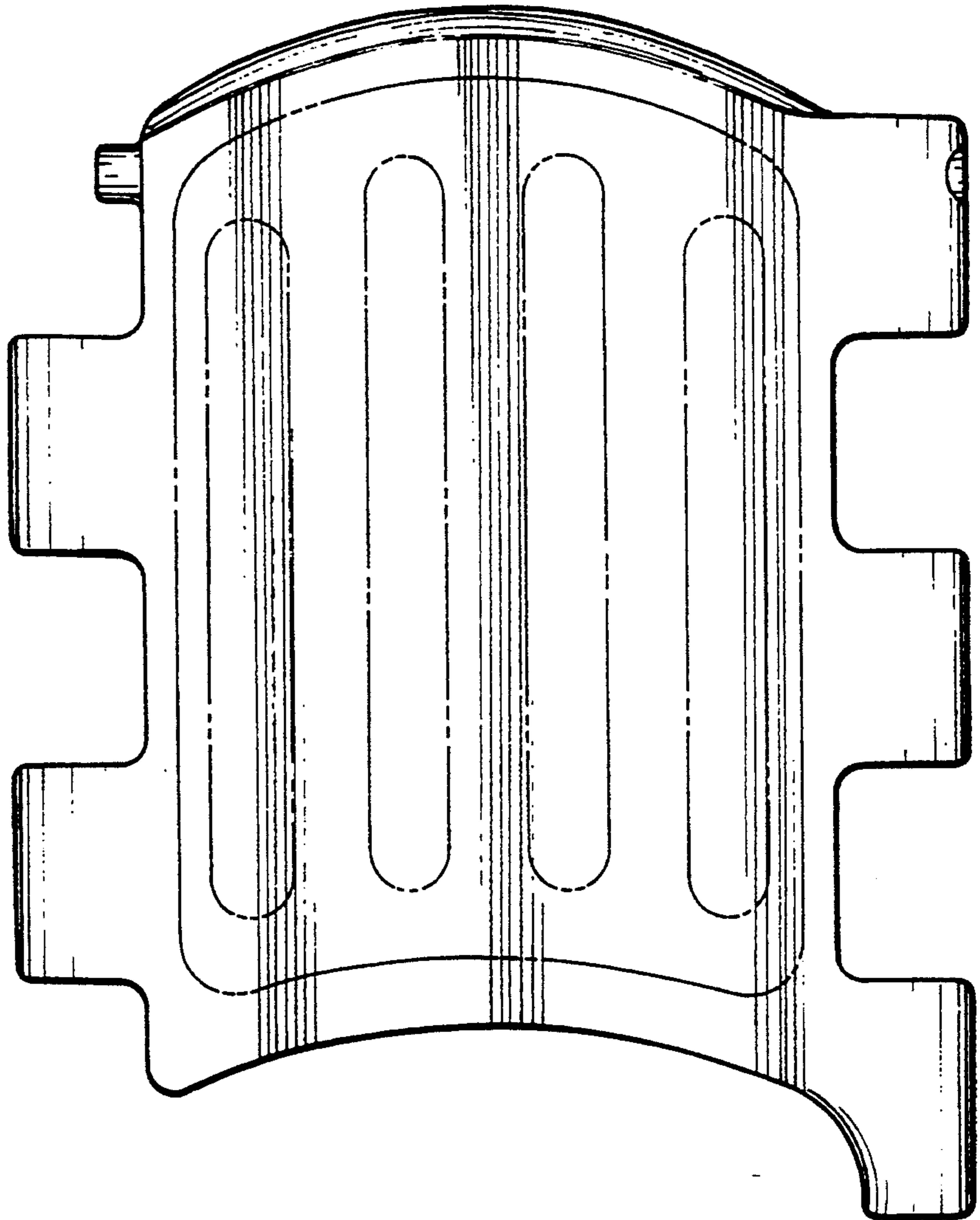


Fig-4

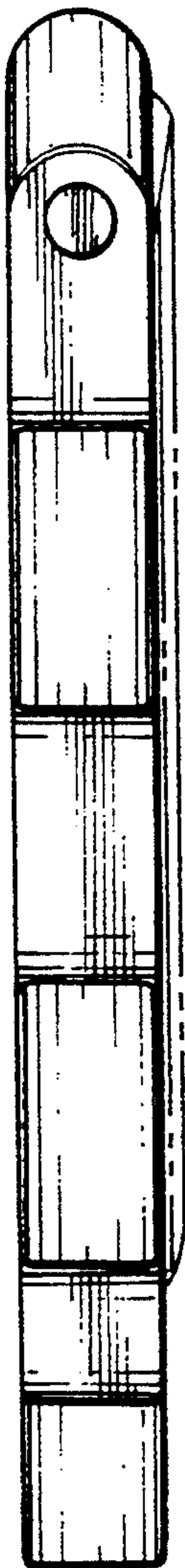


Fig-5

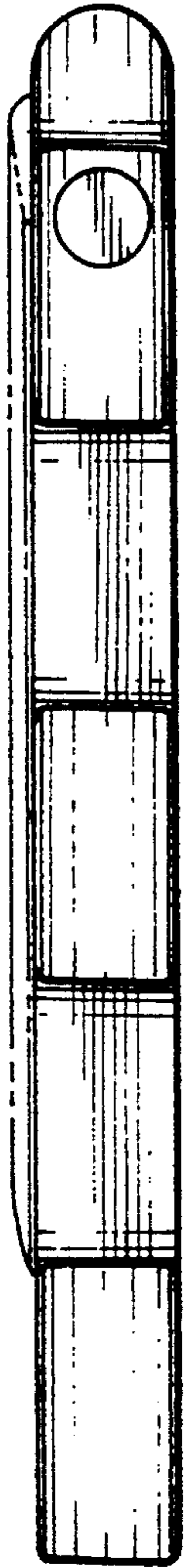


Fig-6

Fig-7

