



US00D353866S

United States Patent [19]

Houry et al.

[11] Patent Number: **Des. 353,866**

[45] Date of Patent: **** Dec. 27, 1994**

[54] **RECTANGULAR PANEL FOR PLAYGROUND STRUCTURE**

[75] Inventors: **Robert L. Houry; Keith D. Ratliff,** both of Farmington, Mo.

[73] Assignee: **The Little Tikes Company,** Hudson, Ohio

[**] Term: **14 Years**

[21] Appl. No.: **14,987**

[22] Filed: **Nov. 8, 1993**

[52] U.S. Cl. **D21/240**

[58] Field of Search **D21/240, 244, 245, 109; 482/35; 446/314, 124, 125**

[56] **References Cited**

U.S. PATENT DOCUMENTS

D. 303,826	10/1989	Aker	D21/244
D. 314,407	2/1991	Wentling	D21/109
D. 343,438	1/1994	Fish, Jr.	D21/244
3,485,494	12/1969	Lieberman	D21/245 X
3,561,757	2/1971	Schillig	D21/245 X
3,949,985	4/1976	Stampfli	482/35
4,369,965	1/1983	Ahrens	D21/244 X

OTHER PUBLICATIONS

Page 86, Safety panel; Iron Mountain Forge, P.O. Box 897, One Iron Mountain Drive, Farmington, MO 63640-8097. Publication date 1992.

Primary Examiner—Bernard Ansher
Assistant Examiner—Mitchell I. Siegel
Attorney, Agent, or Firm—Richard B. O’Planick; Lisa B. Riedesel

[57] **CLAIM**

The ornamental design for a rectangular panel for playground structure, as shown and described.

DESCRIPTION

FIG. 1 is a top left front perspective view of a rectangular panel for playground structure showing our new design;

FIG. 2 is a top plan view thereof;

FIG. 3 is a bottom plan view thereof;

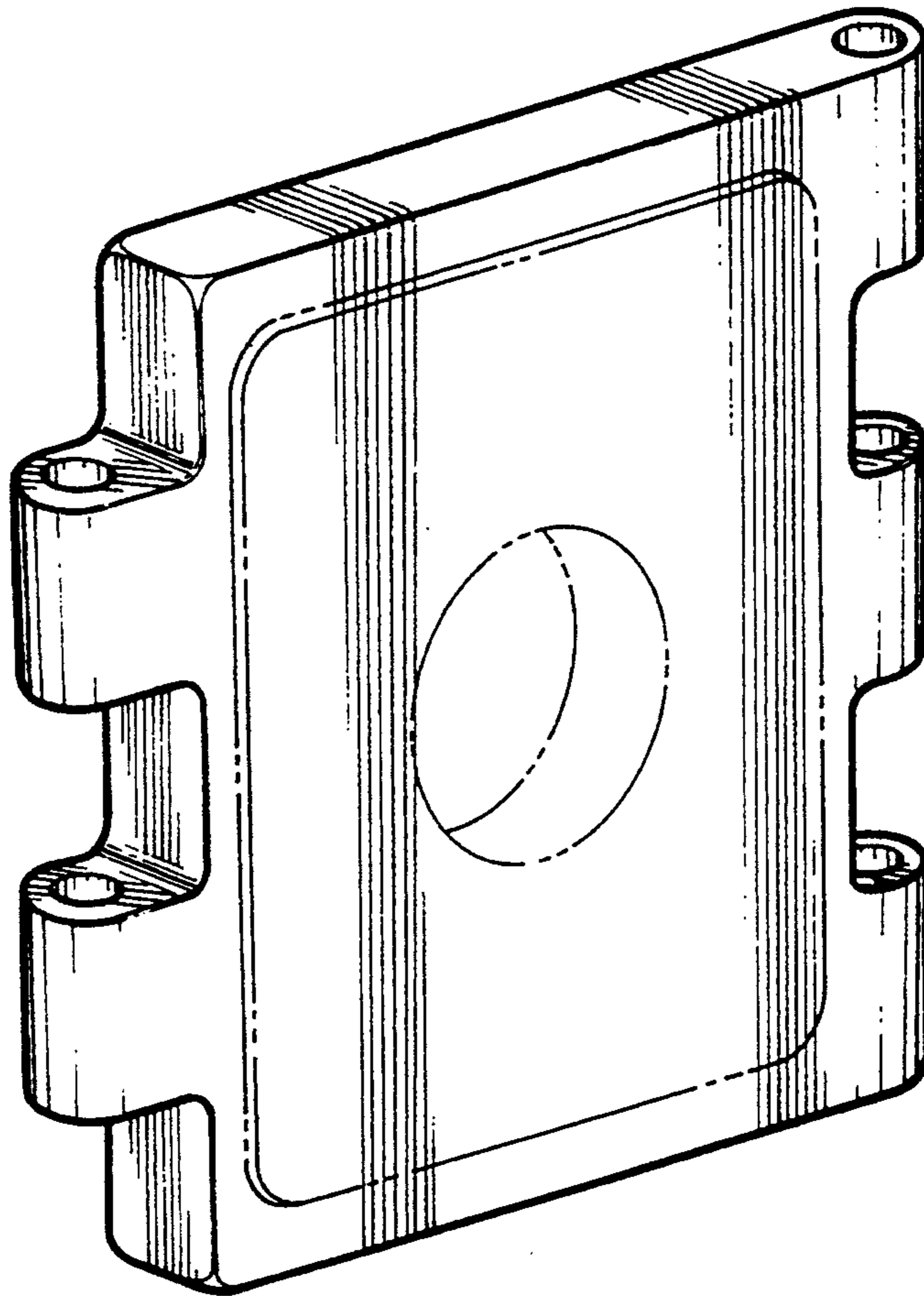
FIG. 4 is a front elevational view thereof;

FIG. 5 is a right side elevational view thereof;

FIG. 6 is a left side elevational view thereof; and,

FIG. 7 is a rear elevational view thereof.

The broken line showing of openings are for illustrative purposes only and forms no part of the claimed design.



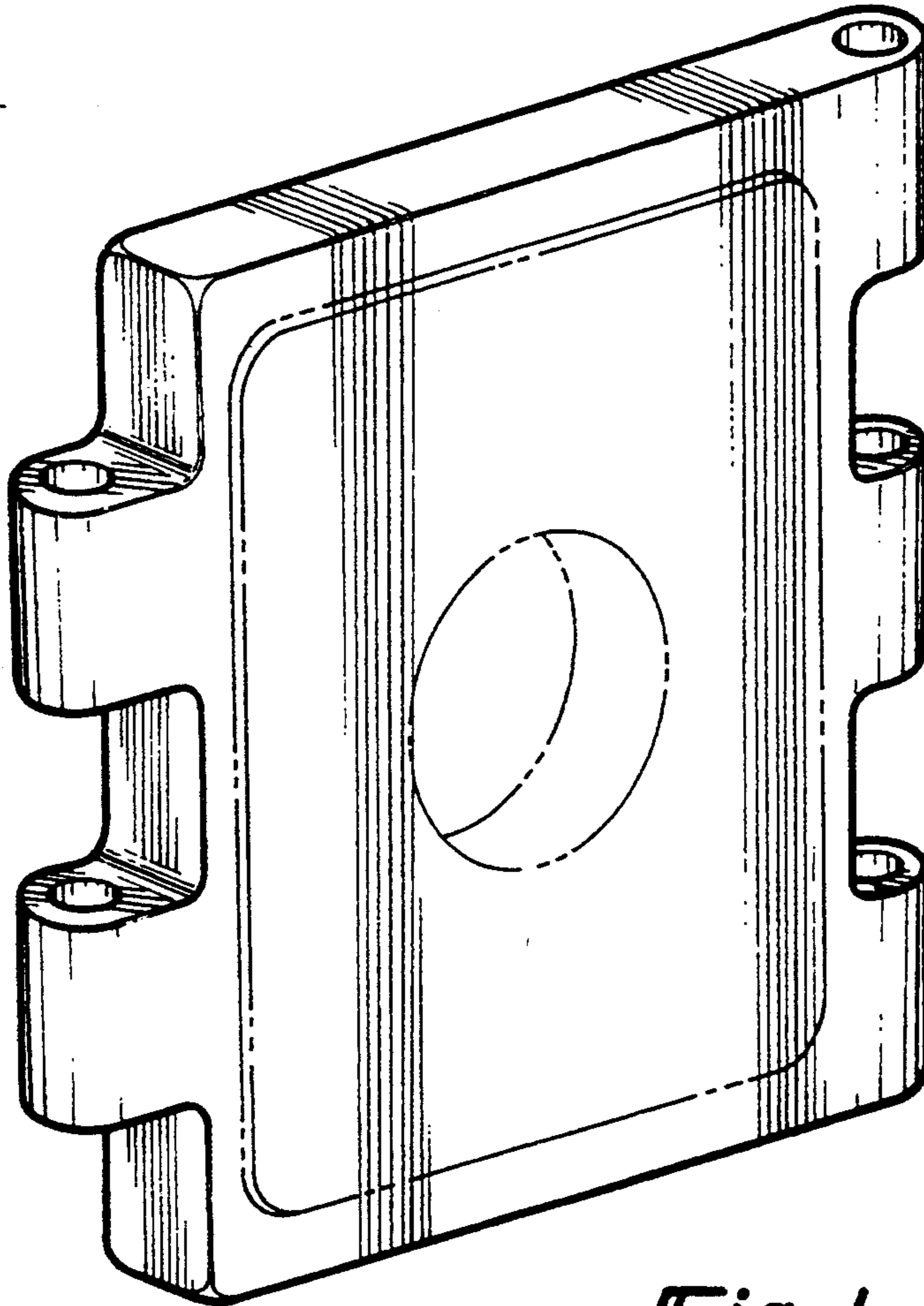


Fig-1



Fig-2

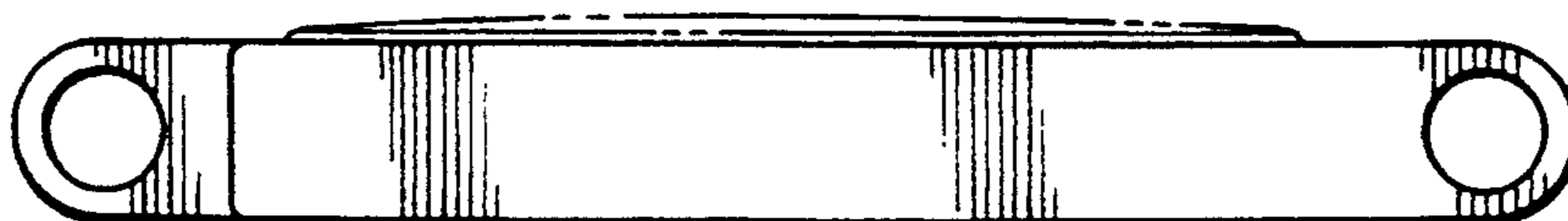


Fig-3

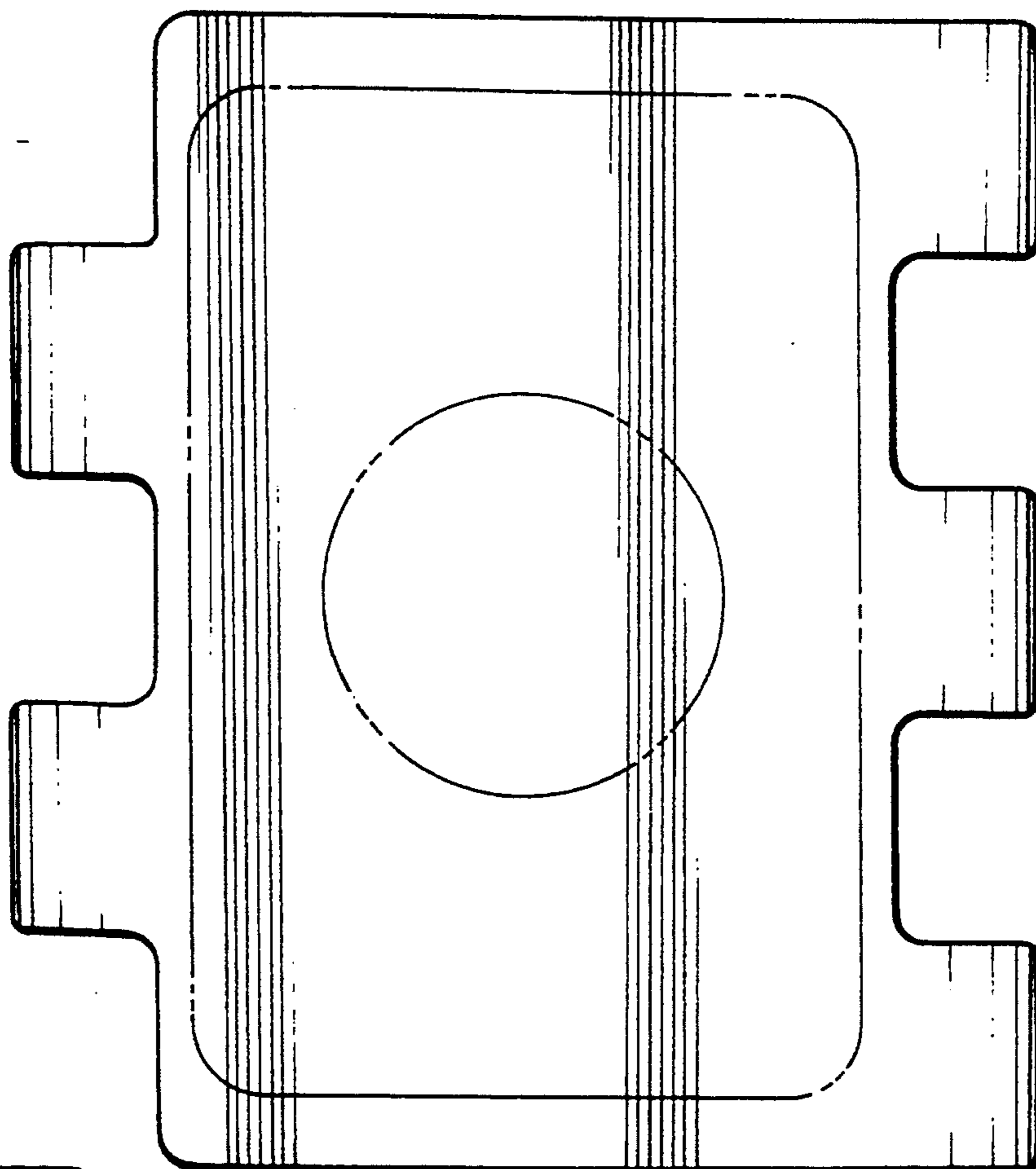


Fig-4

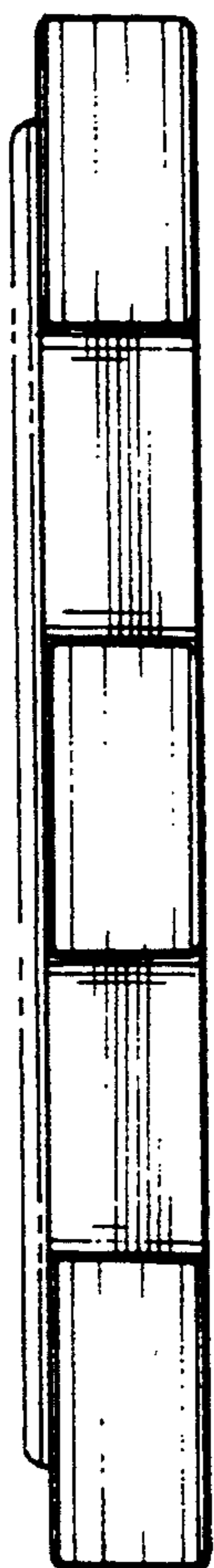


Fig-5

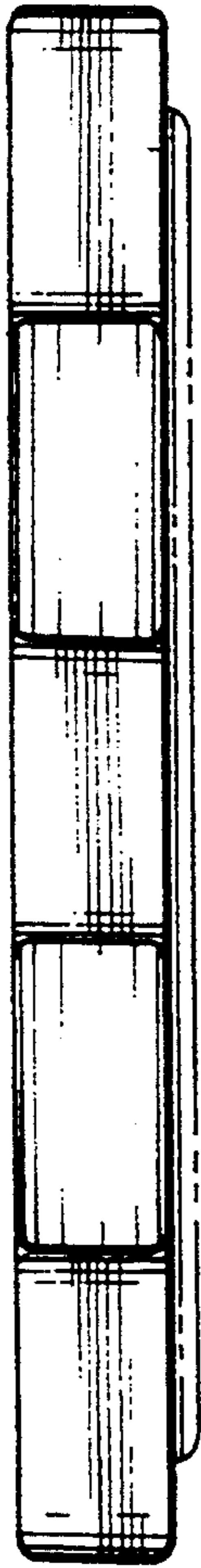


Fig-6

Fig-7

