



US00D353860S

United States Patent [19] Walk

[11] Patent Number: Des. 353,860
[45] Date of Patent: ** Dec. 27, 1994

[54] BASKETBALL SHOOTING TRAINER
[76] Inventor: Jeff Walk, 950 Cynthia St., Poplar Bluff, Mo. 63901
[**] Term: 14 Years
[21] Appl. No.: 7,792
[22] Filed: May 3, 1993
[52] U.S. Cl. D21/201
[58] Field of Search D21/201, 233;
273/1.5 R, 1.5 A

5,029,741 7/1991 Easter .
5,135,217 8/1992 Swain 273/1.5 A
5,149,085 9/1992 Sanchez 273/1.5 A
5,271,617 12/1993 Gilford 273/1.5 A

Primary Examiner—Melvin B. Feifer
Assistant Examiner—Cheri Cohen
Attorney, Agent, or Firm—Terry M. Gernstein

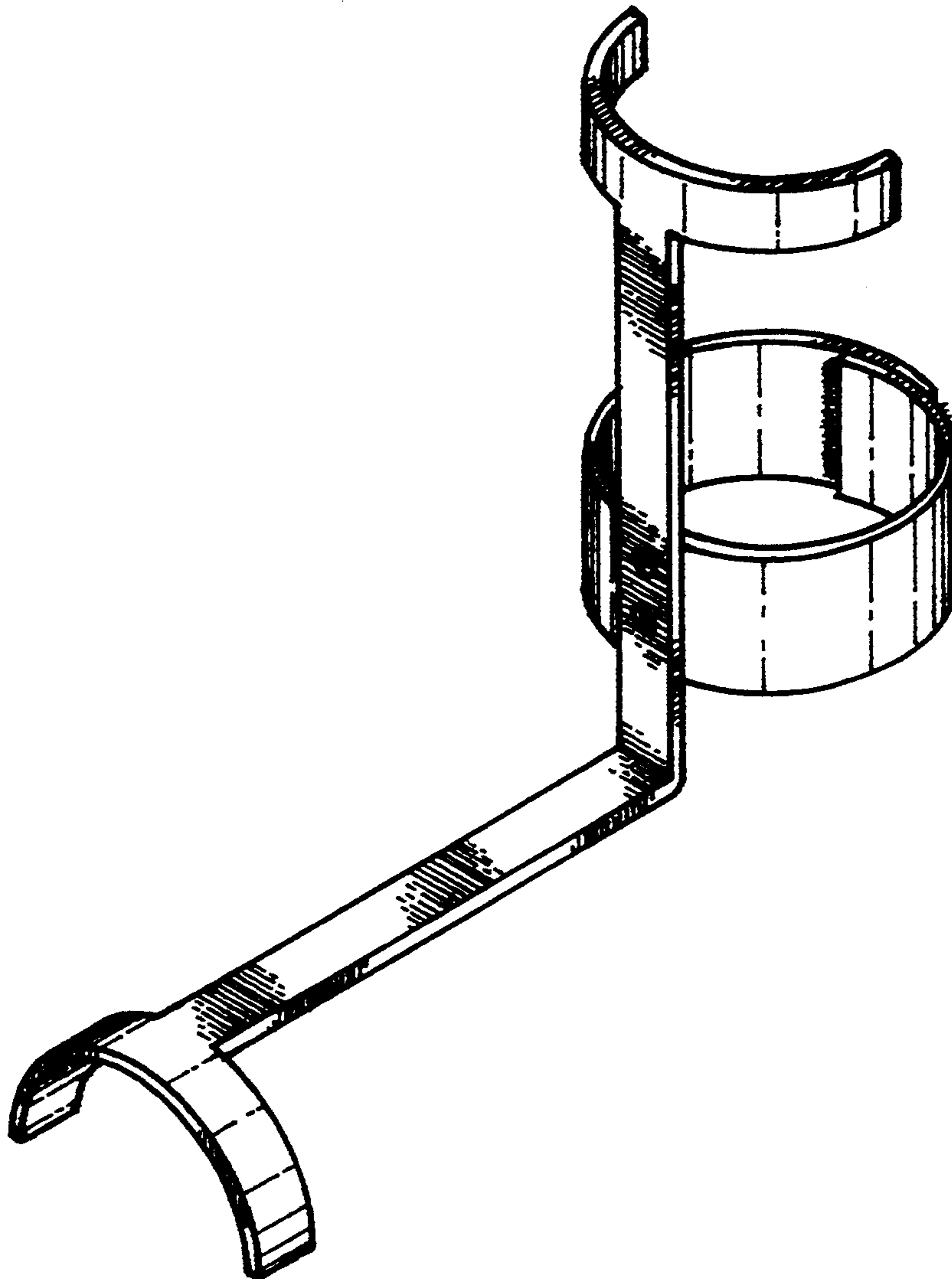
[57] CLAIM

The ornamental design for a basketball shooting trainer, as shown and described.

DESCRIPTION

FIG. 1 is a front, top and side perspective view of the basketball shooting trainer showing my new design; FIG. 2 is a front elevational view thereof; FIG. 3 is a rear elevational view thereof; FIG. 4 is a side elevational view thereof, the side opposite being a mirror image of the side shown in FIG. 4; FIG. 5 is a top plan view thereof; and, FIG. 6 is a bottom plan view thereof.

[56] References Cited
U.S. PATENT DOCUMENTS
D. 236,142 7/1975 Lewis D21/233
3,606,109 9/1971 Brokus .
4,377,284 3/1983 Okerlin 273/1.5 A
4,555,051 11/1985 Johnson .
4,805,905 2/1989 Haub 273/1.5 A
4,919,425 4/1990 Wolf 273/1.5 A



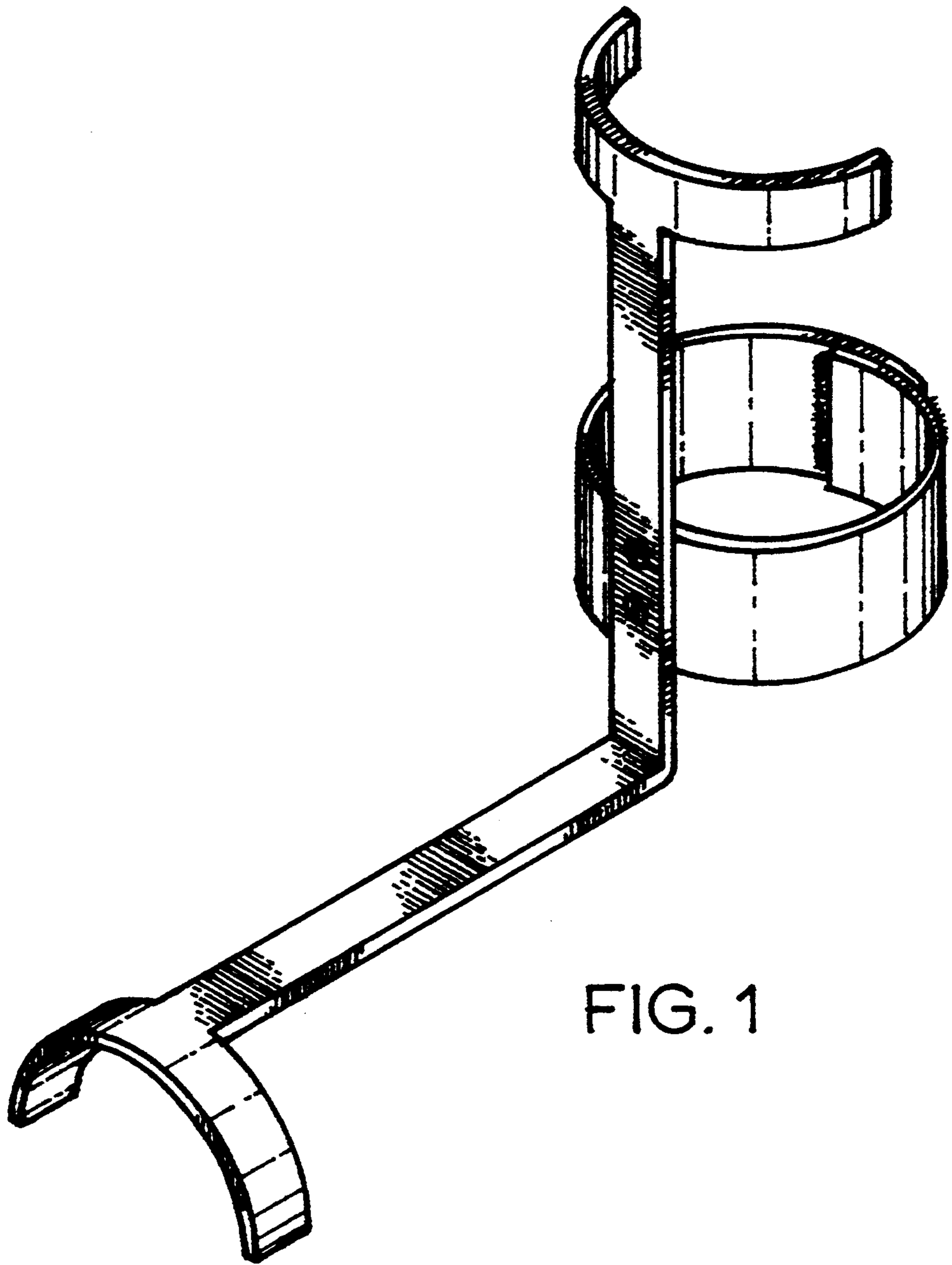


FIG. 1

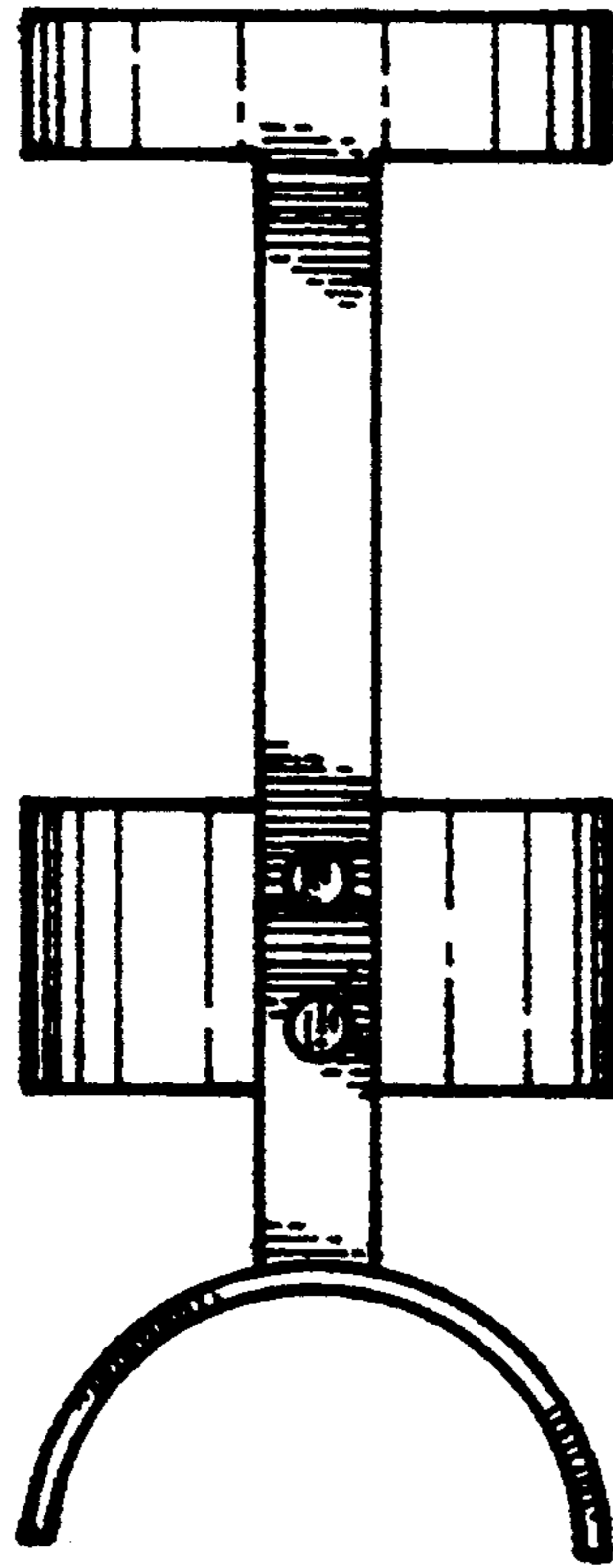


FIG. 2

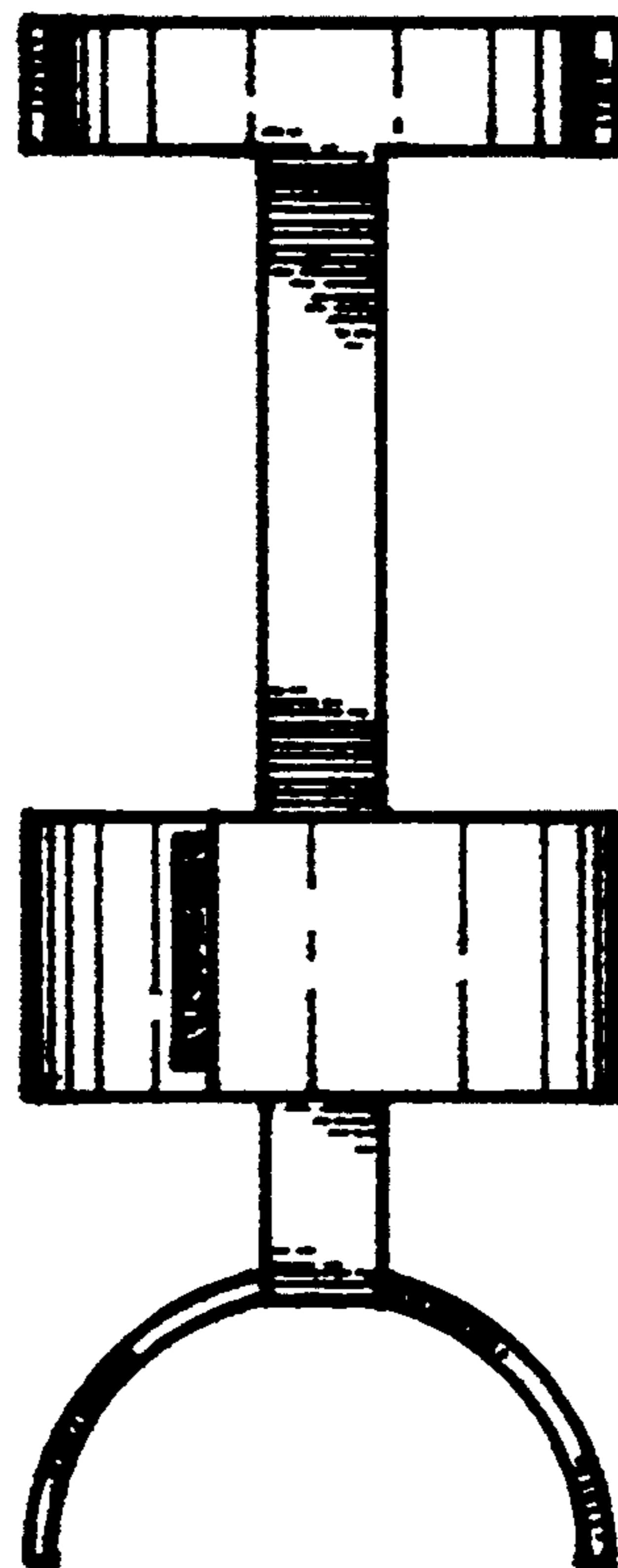


FIG. 3

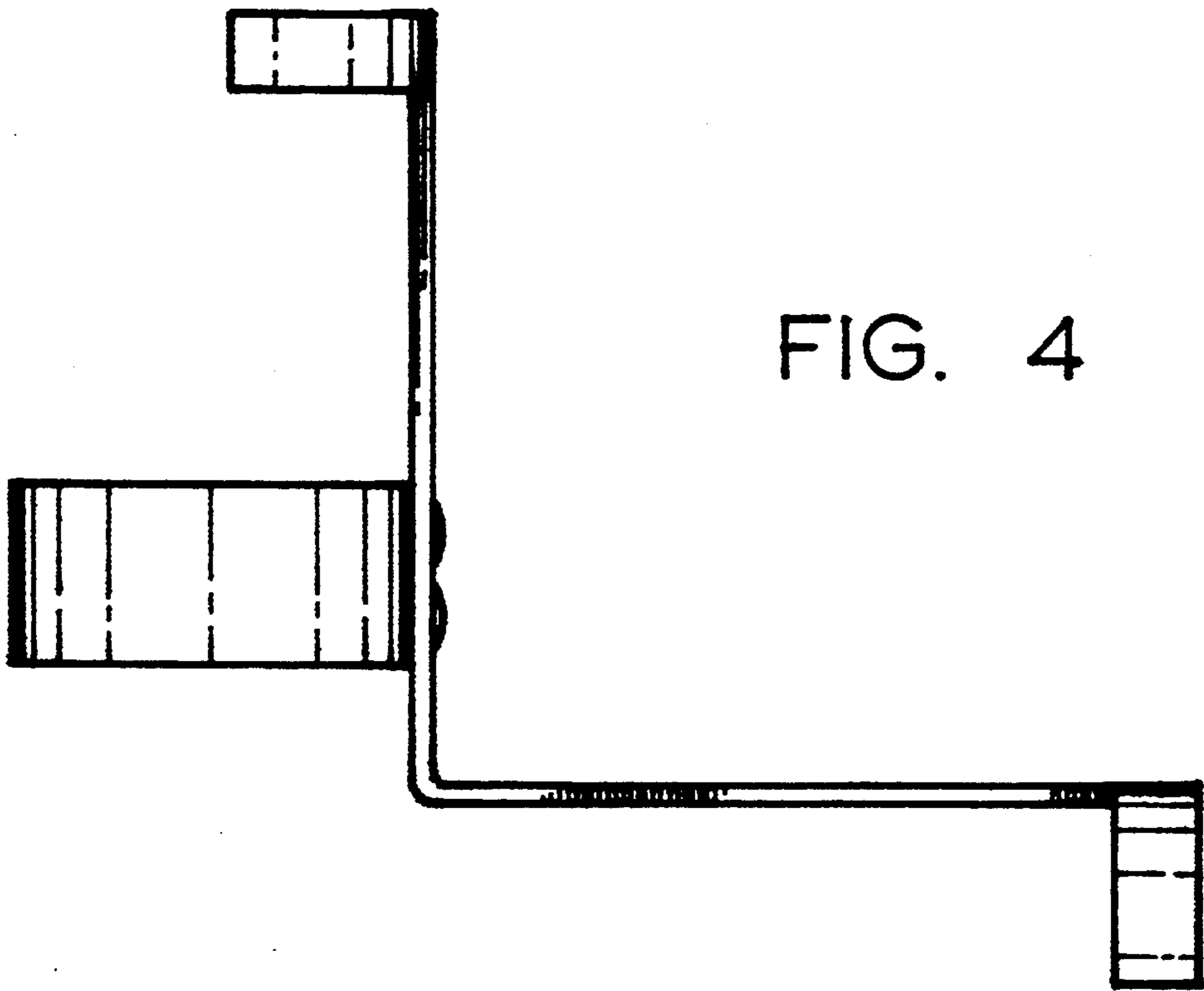


FIG. 4

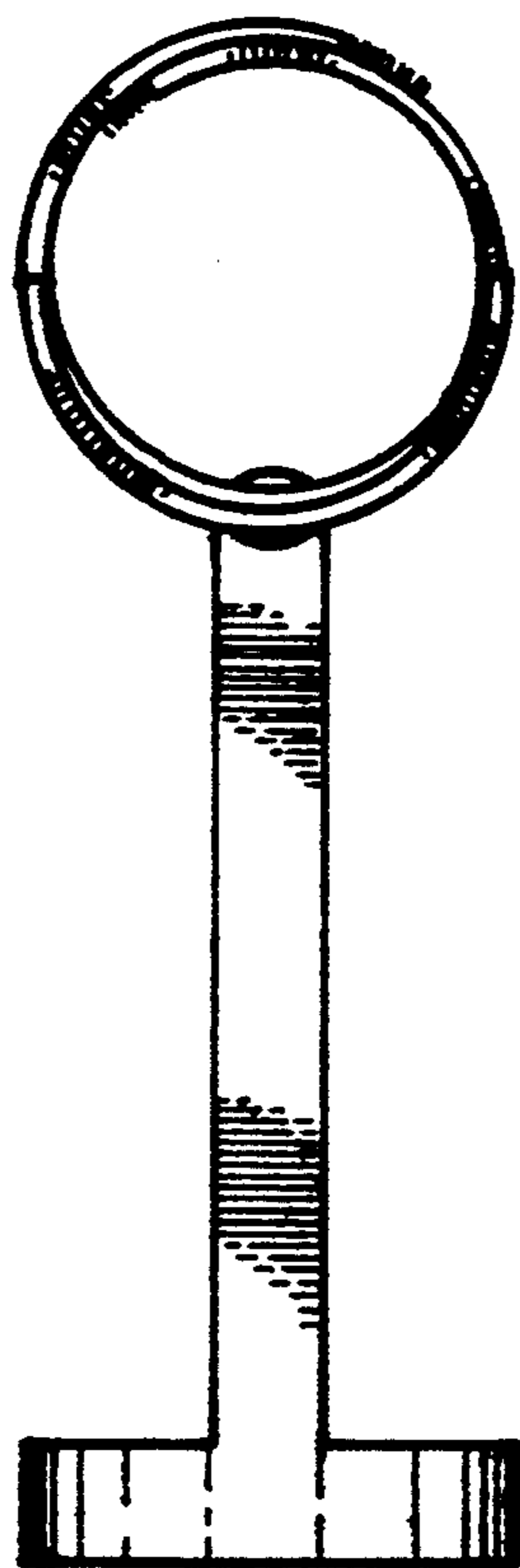


FIG. 5

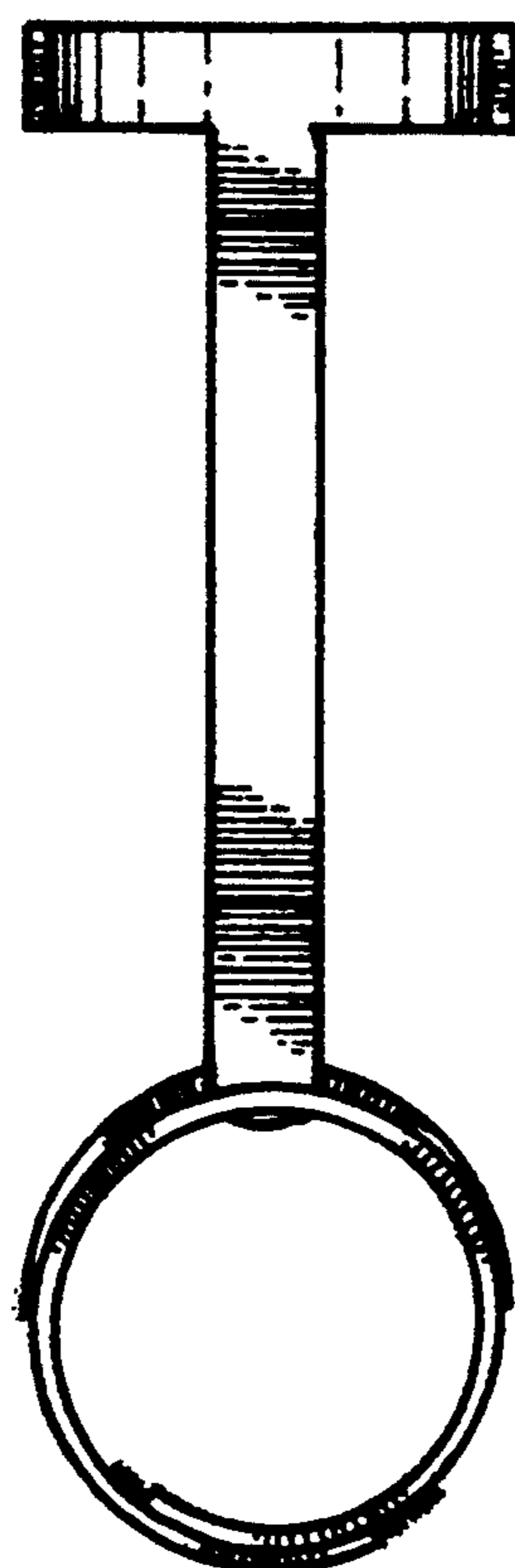


FIG. 6